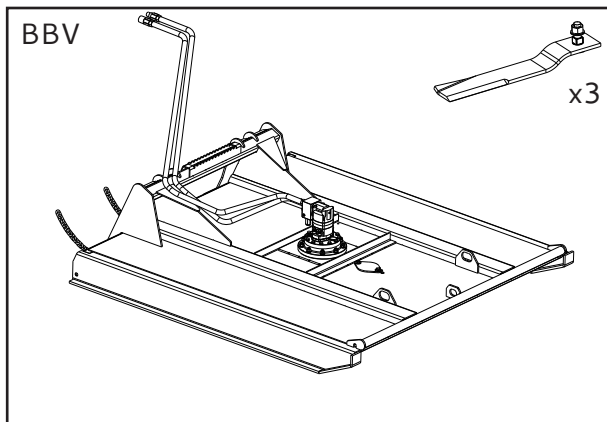


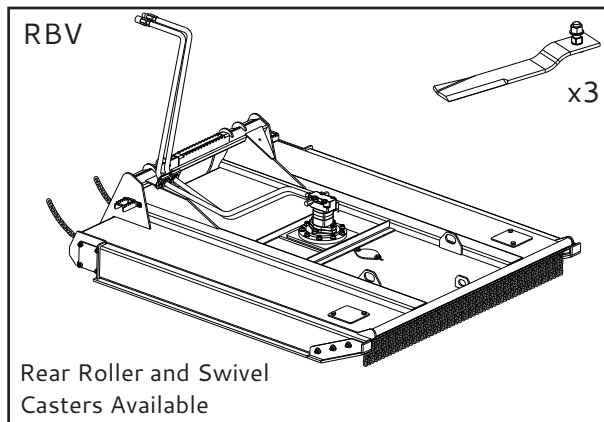
V40 ROTARY BRUSH CUTTER STANDARD DECK



3" Cut Diameter · Standard Flow Only

Widths Available	60", 72"
Replaceable Skid Shoe	No
Flywheel Weight	170-220 lbs
Overall Weight	1075-1300 lbs

V50 ROTARY BRUSH CUTTER STANDARD DECK



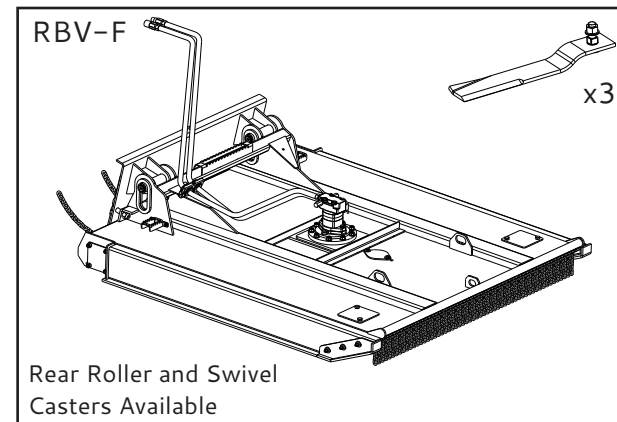
Rear Roller and Swivel
Casters Available

4" Cut Diameter · Standard and High Flow

Widths Available	60", 66", 72", 78"
Replaceable Skid Shoe	Yes
Flywheel Weight	170-225 lbs
Overall Weight	1180-1610 lbs

V50 ROTARY BRUSH CUTTER FLOATING DECK

ALL INFO SUBJECT TO
CHANGE WITHOUT NOTICE.

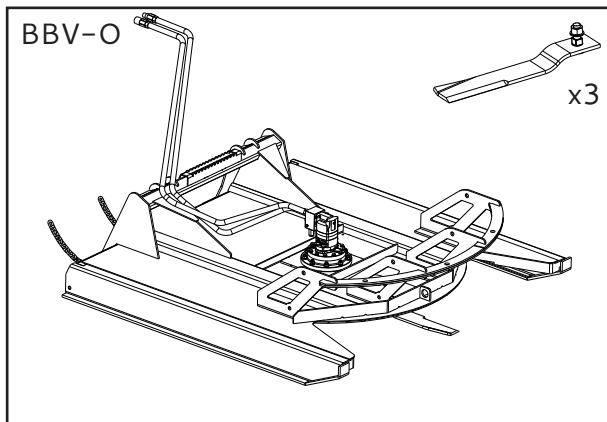


Rear Roller and Swivel
Casters Available

4" Cut Diameter · Standard and High Flow

Widths Available	60", 66", 72", 78"
Replaceable Skid Shoe	Yes
Flywheel Weight	170-225 lbs
Overall Weight	1430-1830 lbs

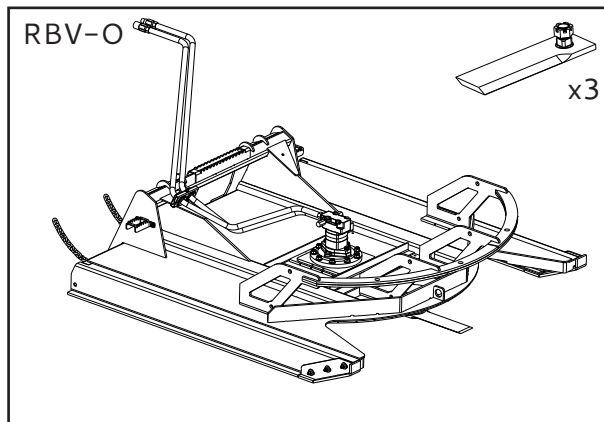
V40 ROTARY BRUSH CUTTER OPEN FRONT DECK



3" Cut Diameter · Standard Flow Only

Widths Available	60", 72"
Replaceable Skid Shoe	No
Flywheel Weight	170-220 lbs
Overall Weight	1090-1310 lbs

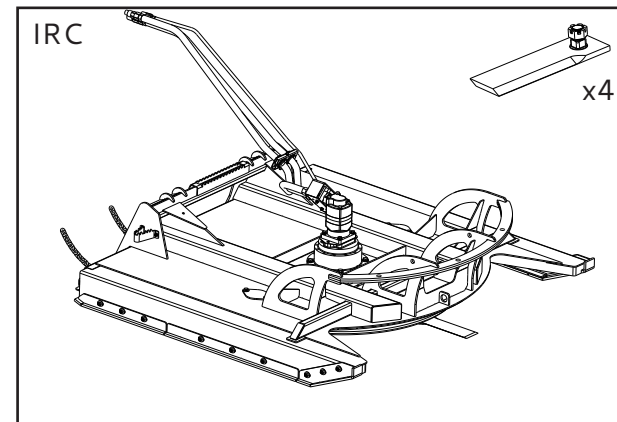
V50 ROTARY BRUSH CUTTER OPEN FRONT DECK



6" Cut Diameter · Standard and High Flow

Widths Available	60", 66", 72", 78"
Replaceable Skid Shoe	Yes
Flywheel Weight	275 lbs
Overall Weight	1355-1695 lbs

V60 INDUSTRIAL ROTARY BRUSH CUTTER



8" Cut Diameter · Standard and High Flow

Widths Available	60", 72", 78"
Replaceable Skid Shoe	Yes
Flywheel Weight	400-610 lbs
Overall Weight	1760-2280 lbs