

Stump Bucket Grapple

NEW for 2015

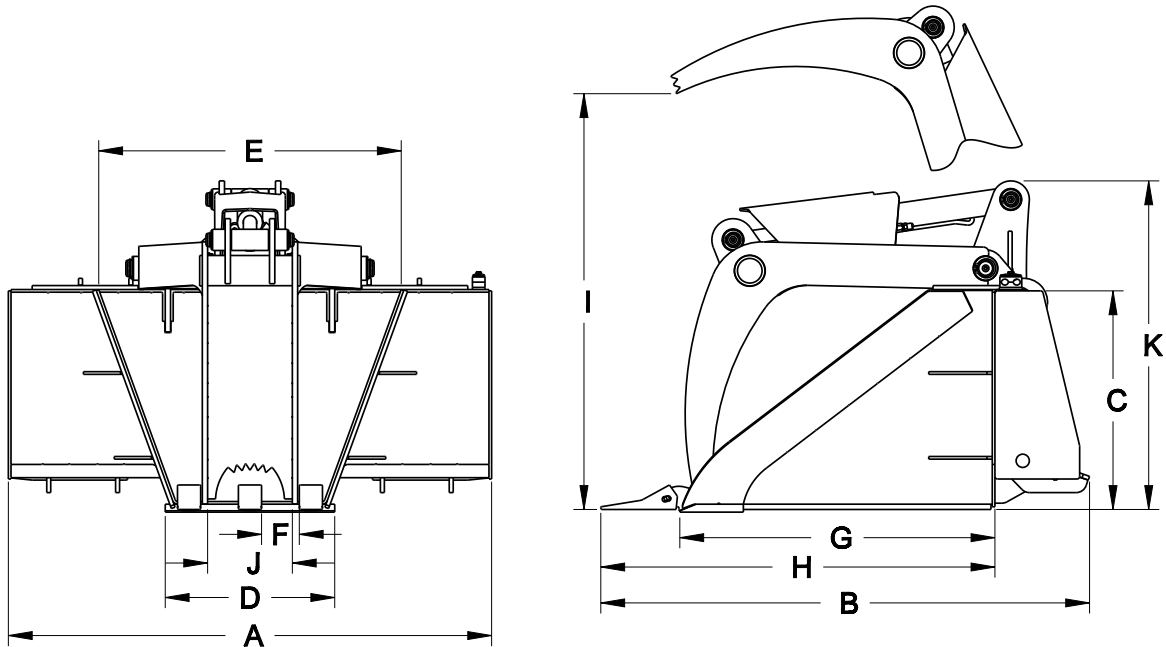


Features

- ✔ A versatile grapple ideal for digging stumps and rocks, trenching and breaking up compacted soil.
- ✔ Grapple jaw makes stump and rock removal easier and secures load for transport.
- ✔ Tall sides provide capacity, while compact depth provides leverage to pry under stumps and rocks.
- ✔ Corrosion, dent and flake resistant NitroSteel® cylinder rod made in the USA. Cylinder Guard standard.
- ✔ Three flush mount shanks, with replaceable Series 23 cast teeth, welded to a 3/4" x 6" weld-on wear edge.
- ✔ Bucket is reinforced on each side with three large gusset plates.



Stump Bucket Grapple Specifications



MODEL	STMPG
(A) Overall Width (Inches)	45.6
(B) Overall Depth (Inches)	46.3
(C) Bucket Height (Inches)	20.7
(D) Shovel Width, Bottom (Inches)	16.0
(E) Shovel Width, Top (Inches)	23.8
(F) Tooth Space, Between Teeth (Inches)	3.3
(G) Shovel Depth (Inches)	29.6
(H) Shovel Depth, With Teeth (Inches)	37.3
(I) Grapple Jaw Opening (Inches)	31.0
(J) Grapple Width (Inches)	8.0
(K) Height with Grapple Closed (Inches)	39.0
Approximate Weight (Pounds)	590
Recommended Loader Capacity (Pounds)	> 1500

Specifications and designs are subject to change without notice.



Virnig Manufacturing Inc.

800-648-2408

attachments@virnigmfg.com

www.virnigmfg.com