

Multi-Purpose Bucket (Standard)



Features

- ❖ Multiple functions include dozing, clamming, leveling, and bottom dumping (see page 3).
- ❖ Large 33" opening for easier, more efficient operation.
- ❖ Design provides effective dozing, while allowing maximum visibility.
- ❖ 3/4" x 6" weld-on edge on front of bucket accepts optional edges.
- ❖ Corrosion, dent and flake resistant NitroSteel® cylinder rods made in the USA. Cylinder Guards standard.

OPTION: Holding Valve



Increases the holding force of the hydraulic cylinders.

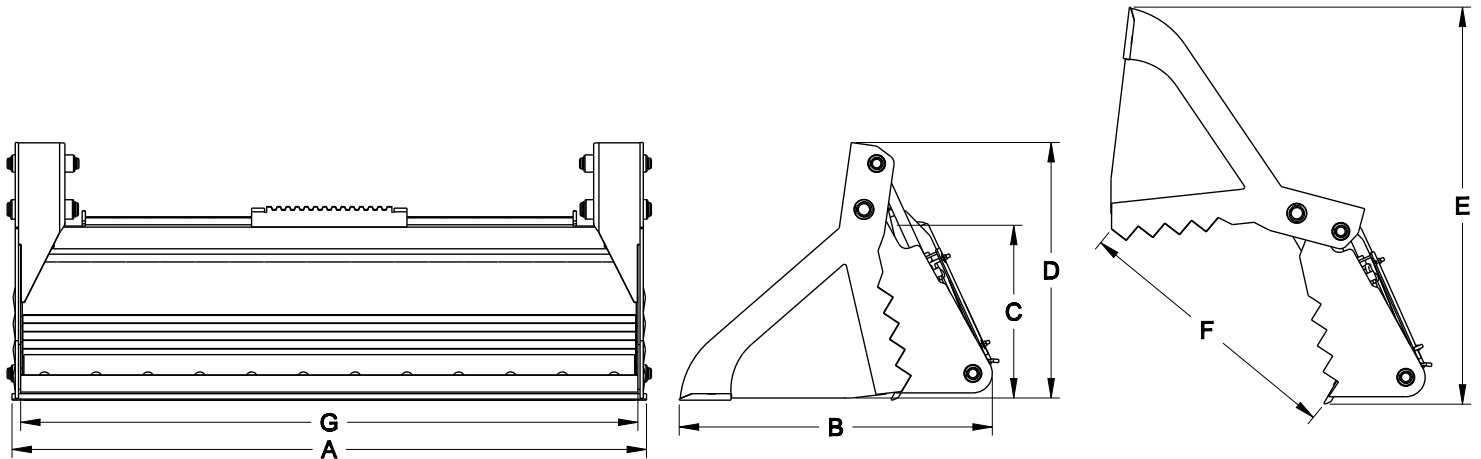
OPTION: Standard Bolt-On Edge



Reversible 5/8" x 8" double-bevel, bolt-on wear edge with 5/8" holes spaced 6" on center.

See page 4 for bucket edge options.

Multi-Purpose Bucket (Standard) Specifications



MODELS	MPV60	MPV66	MPV72
(A) Overall Bucket Width (Inches)	61.5	67.5	73.5
(B) Bucket Depth (Inches)	36.3		
(C) Bucket Height (Inches)	21.3		
(D) Overall Height, Closed (Inches)	29.8		
(E) Overall Height, Open (Inches)	46.0		
(F) Clam Opening (Inches)	33.0		
(G) Dozer Width (Inches)	59.9	65.9	71.9
Shell Thickness (Inches)	0.25		
Hinge Structure Thickness (Inches)	0.375		
Structural Wear Bars Under Bucket (1/2" x 4")	3	3	3
Approximate Weight (Pounds)	840	915	960
Recommended Loader Capacity (Pounds)	Less than 2400		

Additional Info

- 1 9/16" diameter hinge pins.
- 2" bore, 8 3/8" stroke cylinders with 1 1/4" NitroSteel® cylinder rods and 1 1/4" cylinder pins.
- Hoses from bucket to loader and couplers included.

Specifications and designs are subject to change without notice.



Virnig Manufacturing Inc.
 800-648-2408
 attachments@virnigmfg.com
 www.virnigmfg.com

Multi-Purpose Bucket (Standard) Action Pictures



Use for grading



bottom dumping



and for clamming wood



or rocks!

Specifications and designs are subject to change without notice.



Virnig Manufacturing Inc.
800-648-2408
attachments@virnigmfg.com
www.virnigmfg.com

Multi-Purpose Bucket (Standard) Edge Options



STANDARD BOLT-ON EDGE

- ✔ Extends life of bucket edge.
- ✔ Reversible 5/8" bolt-on wear edge with 5/8" holes spaced 6" on center.
- ✔ Available on all Virnig Buckets except skeleton style.



SERRATED BOLT-ON EDGE

- ✔ Excellent alternative to toothbar for chiseling and breaking up compacted soil.
- ✔ Single bevel, 3/4" x 8", serrated bolt-on edge with 5/8" holes spaced 6" on center.
- ✔ Available on all Virnig Buckets except skeleton style.



TOOTHBAR OVER WELD-ON

- ✔ Installation is simple ensuring that breaking up compacted soil is no longer a hassle.
- ✔ Replaceable Series 23 cast teeth extend life of bucket.
- ✔ Available on Virnig Dirt Buckets and Multi-Purpose Buckets only.



TOOTHBAR OVER WELD-ON & BOLT-ON

- ✔ Installation is simple ensuring that breaking up compacted soil is no longer a hassle.
- ✔ Replaceable Series 23 cast teeth extend life of bucket.
- ✔ Available on Virnig Dirt Buckets and Multi-Purpose Buckets only.



WELD-ON TEETH

- ✔ Replaceable Series 23 cast teeth with cast shank welded directly to bucket edge.
- ✔ Excellent for breaking up compacted soil.
- ✔ Available on Virnig Dirt Buckets and Multi-Purpose Buckets only.

Specifications and designs are subject to change without notice.



Virnig Manufacturing Inc.
800-648-2408
attachments@virnigmfg.com
www.virnigmfg.com