

# Heavy-Duty Skeleton Rock Grapple



## Features

- ✔ Stronger than the Skeleton Rock Grapple with ½" Grade 80 steel tines and side plates.
- ✔ Raised ridge in center of tines and notch near tips secure rocks while digging.
- ✔ Two-cylinder independent grapple with replaceable Teflon® coated bushings providing lubrication at all pivot locations.
- ✔ Corrosion, dent and flake resistant NitroSteel® cylinder rods made in the USA.
- ✔ Open bottom and back gives excellent visibility and allows dirt to fall through.
- ✔ Fully gusseted tine tips for added strength.
- ✔ Machine specific hydraulic package to completely protect hose routing.

## OPTION: Cylinder Guards

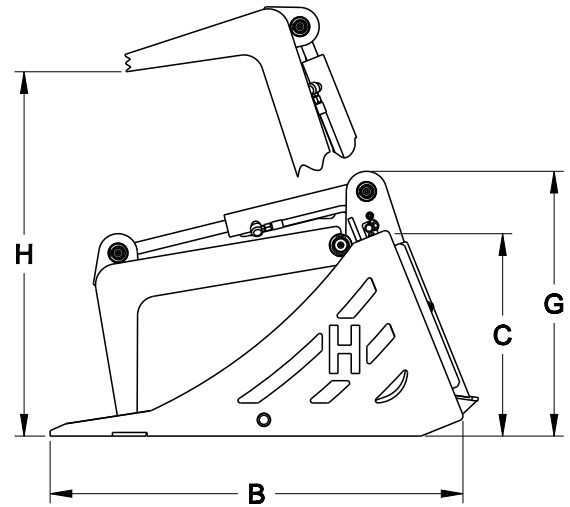
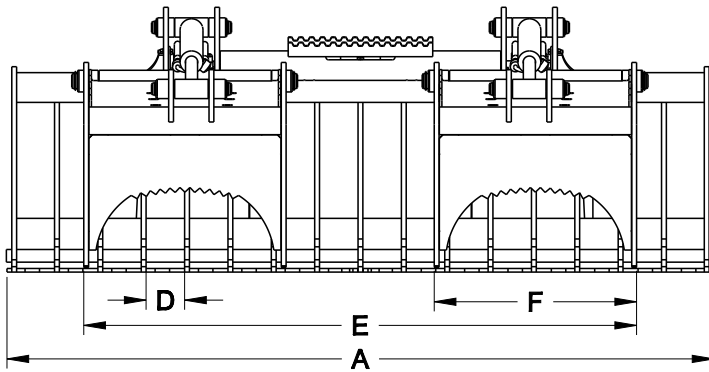


Guards protect cylinders from damage.



Heavy-Duty Skeleton Rock Grapple in action.

# Heavy-Duty Skeleton Rock Grapple Specifications



MODEL	HSRGV72	HSRGV78	HSRGV84	HSRGV90
(A) Overall Bucket Width (Inches)	73.5	79.5	85.5	91.5
(B) Bucket Depth (Inches)	42.9			
(C) Bucket Height (Inches)	21.5			
Number of Tines (With Sides)	17	18	20	21
(D) Space Between Tines (Inches)	4.0	4.1	3.9	4.0
Tine and Side Plate Thickness (Inches)	0.5 <sup>1</sup>			
(E) Overall Grapple Width (Inches)	57.4			
(F) Independent Grapple Width (Inches)	21.0			
(G) Height with Grapple Closed (Inches)	27.8			
(H) Grapple Jaw Opening (Inches)	37.0			
Approximate Weight (Pounds)	1080	1115	1170	1205
Recommended Loader Capacity (Pounds)	Greater than 1800			

<sup>1</sup> Material is Grade 80 Plate (80,000 psi minimum yield strength).

### Additional Info

- 1 9/16" diameter hinge pins.
- 2" bore, 8 3/8" stroke cylinders with 1 1/4" NitroSteel® cylinder rods and 1 1/4" cylinder pins.
- Hoses from grapple to loader and couplers included.

Specifications and designs are subject to change without notice.



**Virnig Manufacturing Inc.**  
 800-648-2408  
 attachments@virnigmfg.com  
 www.virnigmfg.com