

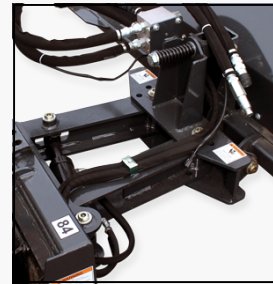
Angle Broom



Features

- ✔ Direct drive design with replaceable drive components allowing forward and reverse operation.
- ✔ Centering swing linkage better centers broom in front of loader when angled.
- ✔ Heavy-duty stands flip up for easy storage. No pins required.
- ✔ Easy exchange of wafers; no disconnecting of hydraulic hoses required.
- ✔ Standard with 32" diameter poly/wire wafers.
- ✔ Standard 2" diameter bearings.

OPTION: Hydraulic Angle



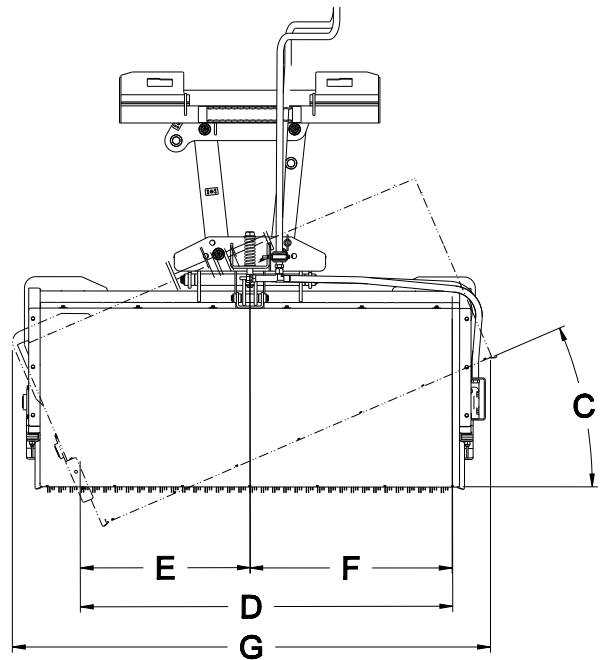
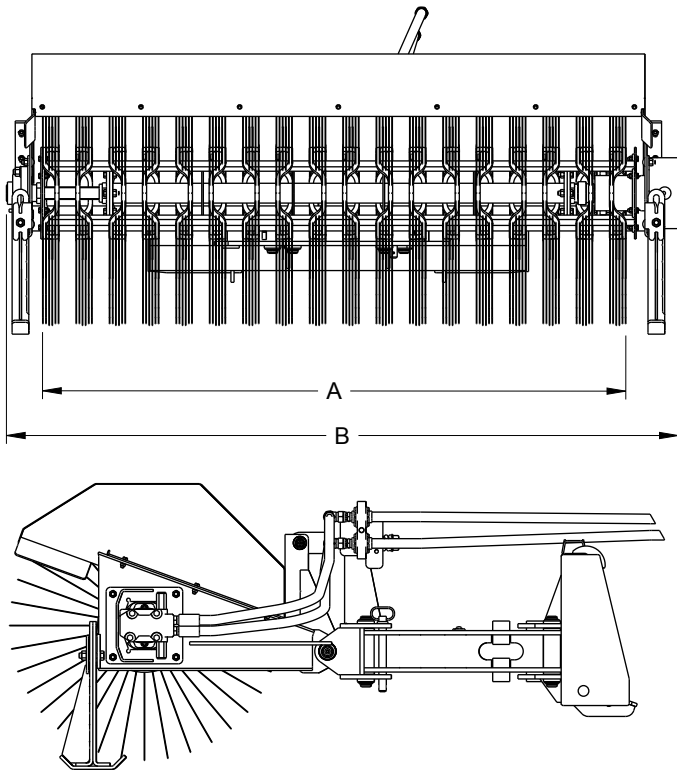
Allows the operator to change the broom angle from the comforts of their cab.

OPTION: Deflector



Covers an additional 30 degrees to limit dirt and debris from flying into the air.

Angle Broom Specifications



MODEL	VAB60	VAB72	VAB84	VAB96
(A) Sweeping Width, Straight (Inches)	60.0	72.0	84.0	96.0
(B) Overall Width (Inches)	69.1	81.1	93.1	105.1
(C) Rotation Angle (Degrees)	27			
(D) Sweeping Width, Full Angle (Inches)	53.5	64.2	74.8	85.5
(E) Sweeping Width, Center Line to Edge (Inches)	28.4	33.8	38.9	44.2
(F) Sweeping Width, Center Line to Edge (Inches)	25.1	30.4	35.9	41.3
(G) Overall Width, Full Angle (Inches)	73.4	83.9	94.3	105.4
Recommended Flow Rate (GPM)	15-25			
Number of 32 Inch Diameter Wafers	30	36	42	48
Approximate Weight (Pounds)	970	1035	1095	1160
Recommended Loader Capacity (Pounds)	Greater than 1500			

FLOW RATE	SPEED (RPM)
16 GPM	154
18 GPM	173
20 GPM	192
22 GPM	212
24 GPM	231

Speeds are the same for all width brooms.

Additional Info

- Broom is standard with manual angle, Hydraulic Angle with electric control optional.
- Greaseable bearing, cylinder pins and linkage pins.
- Hydraulic Angle features 2 1/2" bore, 8" stroke cylinder with 1 1/2" Nitrosteel® cylinder rod and 1 1/4" cylinder and linkage pins.
- Hoses from broom to loader and couplers included.

Specifications and designs are subject to change without notice.



Virnig Manufacturing Inc.
 800-648-2408
 attachments@virnigmfg.com
 www.virnigmfg.com

Angle Broom Action Pictures



Sweep Dirt

and Snow!



Specifications and designs are subject to change without notice.



Virnig Manufacturing Inc.
800-648-2408
attachments@virnigmfg.com
www.virnigmfg.com