

V40 ROTARY BRUSH CUTTER – OPEN FRONT DECK

Standard dual hydraulic pressure relief valves with dynamic braking stops the 150–215 lb flywheel in under 10 seconds.

Direct drive Eaton® motor rated up to 25 GPM for usage on a wide variety of skid steers.

Tall push bar at the front provides rigidity and helps push over thick brush and trees.



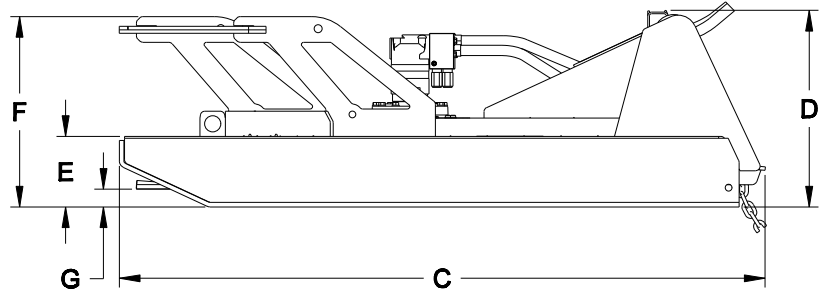
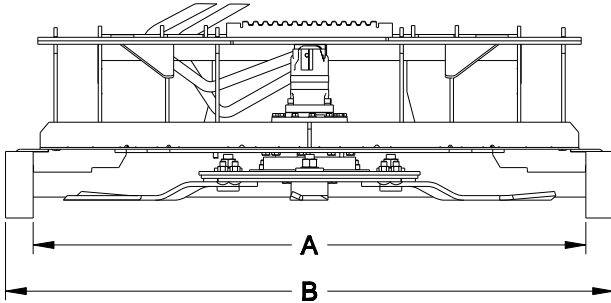
Three-blade cutting system, mounted to a circular flywheel ensuring flywheel bounces off stumps rather than catching and damaging the motor.

½" x 4" single side updraft blades for efficient cutting and mulching.

- Constructed to rough-cut dense brush and remove trees up to 3" in diameter.
- Able to cut down to the ground to limit regrowth.

DO NOT OPERATE ROTARY BRUSH CUTTER WITHOUT A SHATTERPROOF CAB DOOR ON LOADER.

V40 ROTARY BRUSH CUTTER – OPEN FRONT DECK SPECS



MODEL	BBV60-0	BBV72-0
(A) Cut Width (Inches)	60.0	72.0
(B) Overall Cutter Width (Inches)	66.0	78.0
(C) Cutter Depth (Inches)	71.1	82.1
(D) Cutter Height (Inches)	21.4	
(E) Deck Height (Inches)	7.7	
(F) Push Bar Height (Inches)	19.7	
(G) Cut Height (Inches)	1.9	
Cutting Capacity, Diameter (Inches)	3.0	
Top Deck Thickness (Inches)	0.19*	
Side Deck Thickness (Inches)	0.25*	
Recommended Flow Rate (GPM)	16-25	
Approximate Weight (Pounds)	1090	1310
Recommended Loader Capacity	Greater than 1500 pounds	

*Deck Material is Grade 50 Plate (50,000 Minimum Yield Strength).