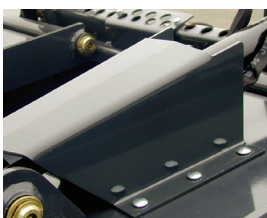


V40 SKELETON ROCK GRAPPLE



- Two-cylinder independent grapple designed to pick rocks while leaving dirt and debris behind.
- Open bottom allows dirt to fall through the 2.9" tine spacing.
- Raised ridge in center of tines (rock dam) and notch near tine tips secure rocks while digging.
- Every other tine is constructed of one piece of steel, from tip to top cross member, to add rigidity.
- Fully gusseted tine tips to strengthen tines and limit bending.
- Corrosion, dent and flake resistant NitroSteel® cylinder rods made in the USA.
- Known clearance issue on John Deere® G-Series loaders (330G, 331G, 332G, and 333G).

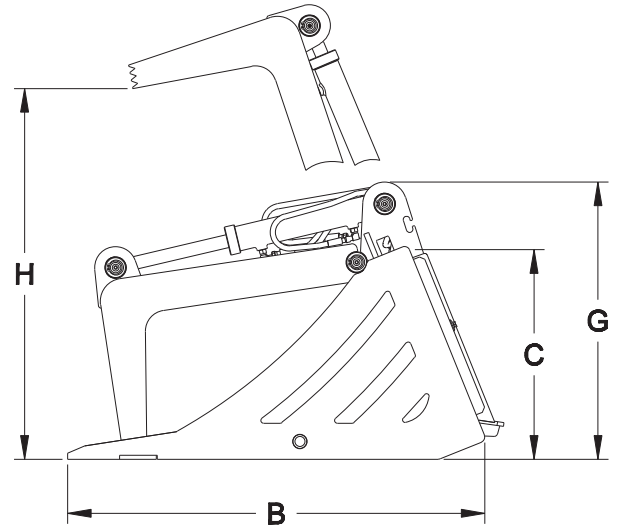
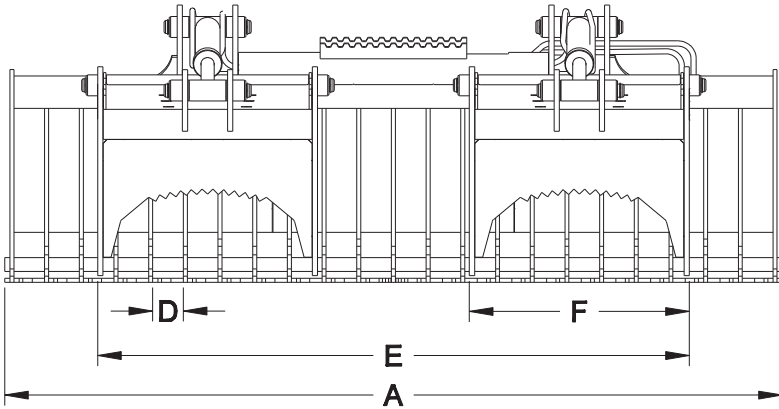
OPTION: CYLINDER GUARDS



- Protect cylinders from damage.



V40 SKELETON ROCK GRAPPLE SPECS



MODEL	BSRGV66	BSRGV72	BSRGV84
(A) Overall Bucket Width (Inches)	67.6	74.3	87.5
(B) Bucket Depth (Inches)	39.9		
(C) Bucket Height (Inches)	20.0		
Number of Tines (With Sides)	21	23	27
(D) Space Between Tines (Inches)	2.9		
Tine and Side Plate Thickness (Inches)	0.375*		
(E) Overall Grapple Width (Inches)	56.5		
(F) Independent Grapple Width (Inches)	21.0		
(G) Height with Grapple Closed	26.5		
(H) Grapple Jaw Opening (Inches)	35.2		
Approximate Weight (Pounds)	925	960	1040
Recommended Loader Capacity	Less than 2400 pounds		

*Jaw, Tine, and Side Plate Material is Grade 50 Plate (50,000 Minimum Yield Strength).