

V40 SKELETON GRAPPLE

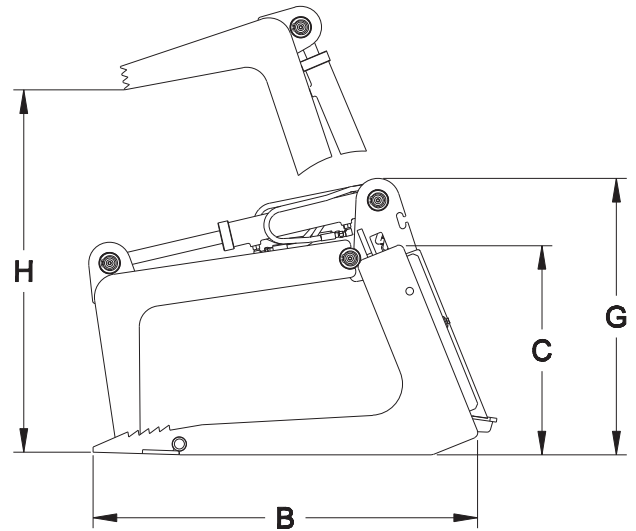
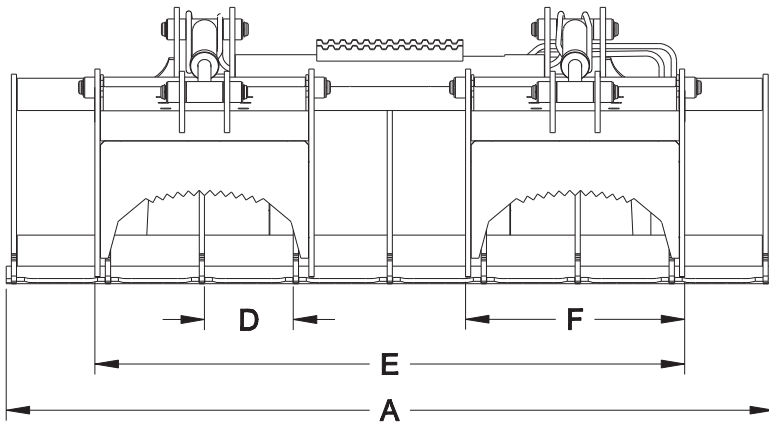


- Two-cylinder independent grapple with an open sided design for hauling brush and logs.
- Open bottom allows dirt to fall through the 8" tine spacing.
- Every tine is constructed of one piece of steel, from tip to top cross member, to add rigidity.
- Corrosion, dent and flake resistant NitroSteel® cylinder rods made in the USA.

OPTIONAL CYLINDER GUARDS AVAILABLE



V40 SKELETON GRAPPLE SPECS



| MODEL | BSGV66 | BSGV72 | BSGV84 |
|---|-----------------------|--------|--------|
| (A) Overall Bucket Width (Inches) | 67.5 | 73.5 | 85.5 |
| (B) Bucket Depth (Inches) | 36.9 | | |
| (C) Bucket Height (Inches) | 20.3 | | |
| Number of Tines (With Sides) | 8 | 9 | 10 |
| (D) Space Between Tines (Inches) | 8.9 | 8.5 | 8.9 |
| Tine and Side Plate Thickness (Inches) | 0.5* | | |
| (E) Overall Grapple Width (Inches) | 56.5 | | |
| (F) Independent Grapple Width (Inches) | 21.0 | | |
| (G) Height with Grapple Closed (Inches) | 26.5 | | |
| (H) Grapple Jaw Opening (Inches) | 35.2 | | |
| Approximate Weight (Pounds) | 765 | 800 | 845 |
| Recommended Loader Capacity | Less than 2400 pounds | | |

*Jaw, Tine, and Side Plate Material is Grade 50 Plate (50,000 Minimum Yield Strength).