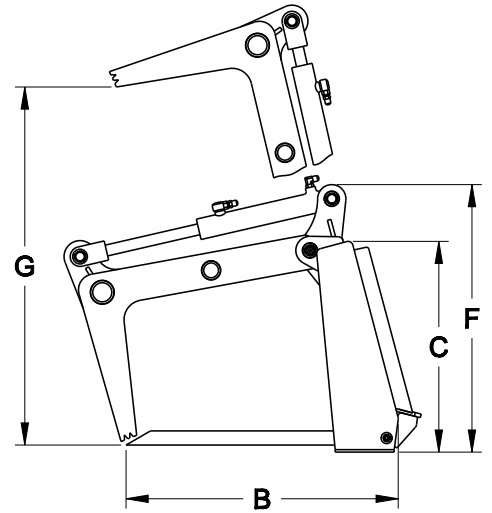
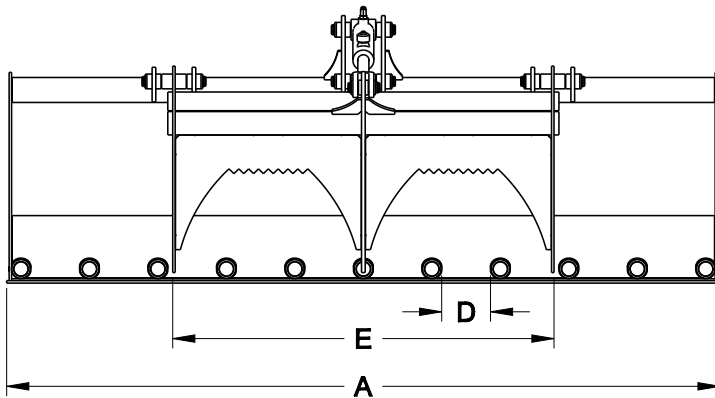


V30 COMPACT TRACTOR UTILITY FORK GRAPPLE



- One-cylinder grapple designed to handle a variety of materials including manure, brush, and debris.
- Low profile allows excellent visibility.
- Removable, replaceable 1 ½" diameter tines.
- No cross member at tine tips allowing better material penetration.
- 1 ½" bore, 8" stroke cylinder featuring a corrosion, dent and flake resistant NitroSteel® cylinder rod.
- Greasable 1" diameter cylinder and hinge pins.
- Universal skid steer mount only.

V30 COMPACT TRACTOR UTILITY FORK GRAPPLE SPECS



MODEL	UGV48-CT	UGV54-CT	UGV60-CT	UGV66-CT	UGV72-CT
(A) Overall Bucket Width (Inches)	49.0	54.5	60.5	66.5	72.5
(B) Bucket Depth (Inches)	27.3				
(C) Bucket Height (Inches)	21.4				
Number of Tines	7	8	9	10	11
(D) Space Between Tines, Bucket (Inches)	6.0	5.9	5.7	5.6	5.4
Tine Diameter (Inches)	1.5*				
(E) Overall Jaw Width (Inches)	38.8				
(F) Height with Grapple Closed (Inches)	27.2				
(G) Grapple Jaw Opening (Inches)	37.5				
Approximate Weight (Pounds)	480	510	540	570	600
Recommended Loader Capacity	Less than 1,500 pounds				

*Tine Material is 1045 CFSR Round (100,000 PSI Minimum Yield Strength).

Additional Info

- 1" diameter hinge pins.
- 1 1/2" bore, 8" stroke cylinder with 1 1/8" NitroSteel® cylinder rod and 1" cylinder pins.
- Hoses from grapple to loader and couplers NOT included.
- Also available without grapple.