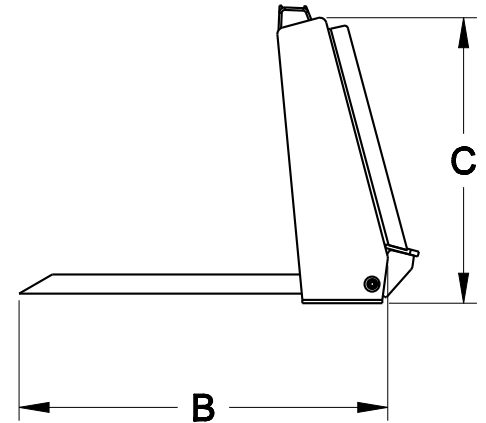
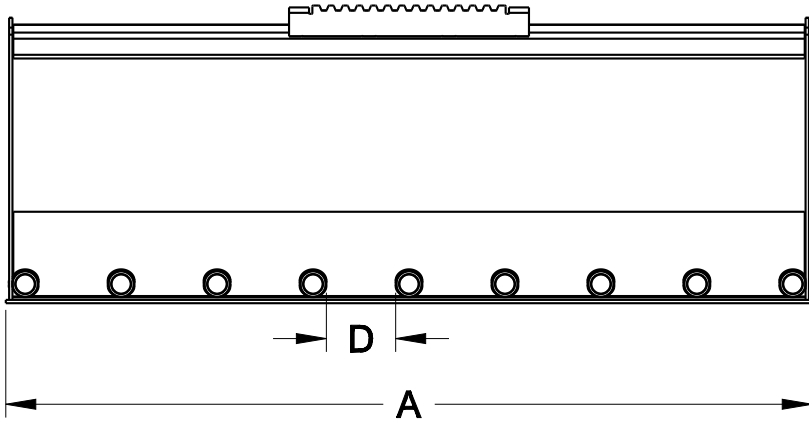


V30 COMPACT TRACTOR UTILITY FORK



- A cost effective way to transport semi-loose material.
- Tines easily penetrate piles and low profile allows excellent visibility.
- High tensile strength tines require no maintenance and are removable for easy replacement.
- Light weight, yet durable construction perfect for compact tractors and small skid loaders.

V30 COMPACT TRACTOR UTILITY FORK SPECS



MODEL	UV48-CT	UV54-CT	UV60-CT	UV66-CT	UV72-CT
(A) Overall Bucket Width (Inches)	49.0	54.5	60.5	66.5	72.5
(B) Bucket Depth (Inches)	27.3				
(C) Bucket Height (Inches)	21.4				
Number of Teeth	7	8	9	10	11
(D) Space Between Teeth (Inches)	6.0	5.9	5.7	5.6	5.4
Tooth Diameter (Inches)	1.5*				
Approximate Weight (Pounds)	305	335	365	400	430
Recommended Loader Capacity (Pounds)	Less than 1500				

* Tooth Material is 1045 CFSR Round (100,000 PSI Minimum Yield Strength).

Additional Info

- Compact Utility Fork also available with one-cylinder grapple