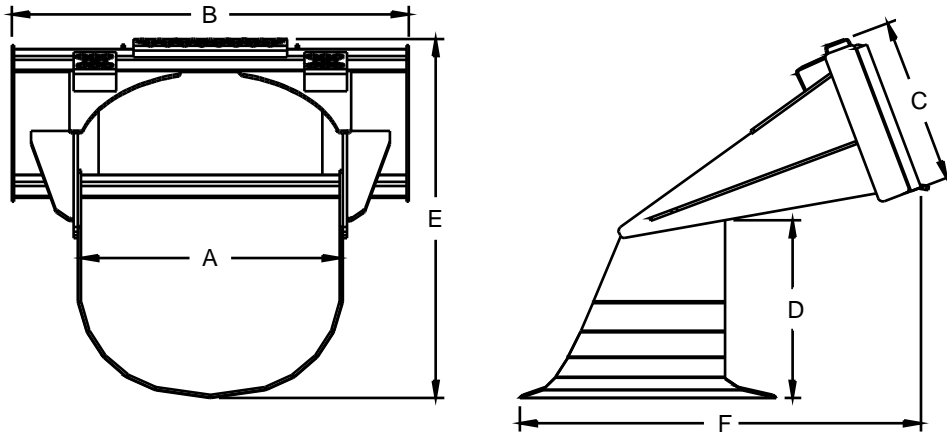


# VIRNIG

## U-Blade Specifications



MODEL	UBV26	UBV30	UBV36
A) Inside Blade Diameter (Inches)	26.0	30.0	36.0
B) Overall Frame Width (Inches)	45.6		
C) Frame Height (Inches)	19.5		
D) Blade Height (Inches)	17.5	22.5	19.5
E) Overall Height (Inches)	38.0	43.5	41.0
F) Overall Length (Inches)	46.8		
Approximate Digging Depth* (Inches)	48		
Approximate Weight (Pounds)	370	390	390

\*Digging Depth Varies with Size and Brand of Machine.

- Recommended for loaders with operating capacities greater than 1500 pounds.
- 3/8" thick high carbon steel blade.
- Patent #6035562

Specifications and designs are subject  
to change without notice.

Virnig Manufacturing Inc.  
800-648-2408  
[www.virnigmfg.com](http://www.virnigmfg.com)