

Hay Bucket Grapple

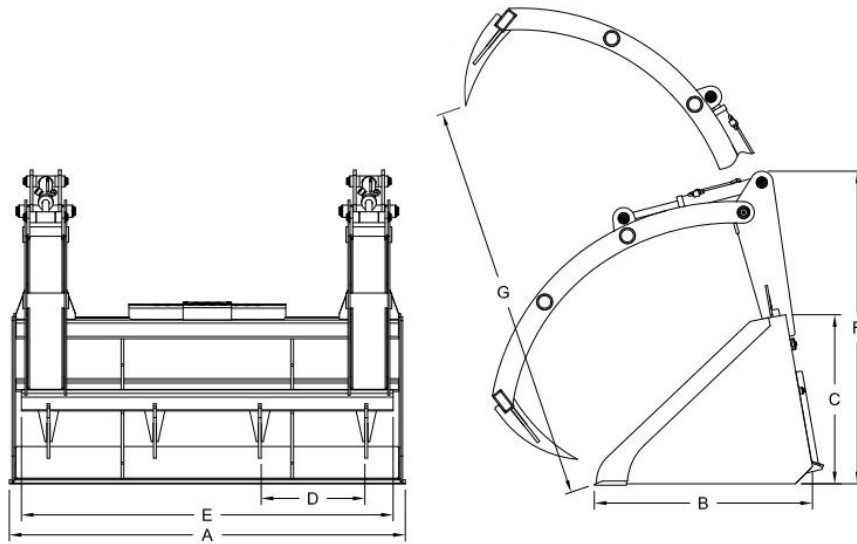


Features

- ✔ Easily grabs and secures large round bales, while bucket allows loose material pick-up.
- ✔ Large jaw opening allows handling of big round bales, while curved teeth penetrate bales with minimal damage.
- ✔ $\frac{3}{4}$ " x 6" weld on edge with holes for optional bolt on edge.
- ✔ Heavy duty construction with two cylinder grapple.
- ✔ Machine specific hydraulic package available.



Hay Bucket Grapple



| MODEL | HGB72 | HGB84 |
|--|--------------------|-------|
| (A) Overall Bucket Width (Inches) | 73.5 | 85.5 |
| (B) Bucket Depth (Inches) | 40.0 | |
| (C) Bucket Height (Inches) | 31.4 | |
| Number of Grapple Teeth | 4 | |
| (D) Space Between Grapple Teeth (Inches) | 19.3 | |
| Grapple Tine Thickness (Inches) | 0.375 ¹ | |
| (E) Overall Grapple Width (Inches) | 69.0 | |
| (F) Height with Grapple Closed (Inches) | 58.3 | |
| (G) Grapple Jaw Opening (Inches) | 74.3 | |
| Bucket Struck Capacity (Cubic Feet) | 27.7 | 32.2 |
| Bucket Heaped Capacity (Cubic Feet) | 33.2 | 38.8 |
| Approximate Weight (Pounds) | 1350 | 1450 |
| Recommended Loader Capacity (Pounds) | Greater than 2400 | |

¹ Tine Material is Grade 50 Plate (50,000 PSI minimum yield strength).

Additional Info

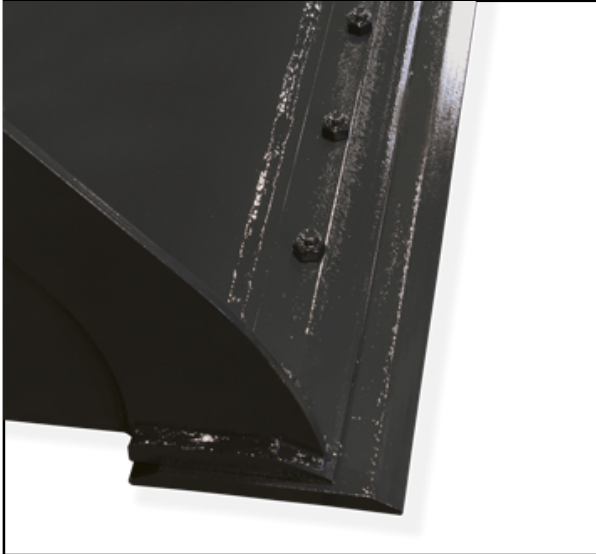
- 1 9/16" diameter hinge pins.
- 3/8" Grade 50 reinforced plate grapple jaw tines (50,000 psi minimum yield strength).
- 2" bore, 8 3/8" stroke cylinders with 1 1/4" rods and 1 1/4" cylinder pin.
- Hoses from grapple to loader and couplers included.

Specifications and designs are subject to change without notice.



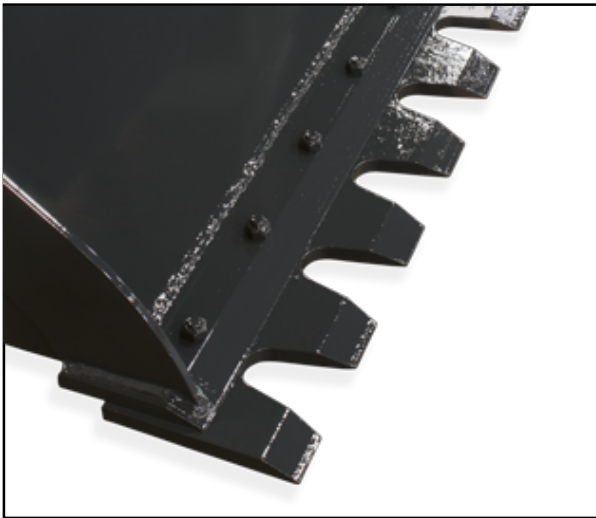
Virnig Manufacturing Inc.
 800-648-2408
 attachments@virnigmfg.com
 www.virnigmfg.com

Hay Bucket Edge Options



STANDARD BOLT ON EDGE

- ✔ Extends life of bucket edge.
- ✔ Reversible 5/8" bolt on wear edge with 5/8" holes spaced 6" on center.



SERRATED BOLT ON EDGE

- ✔ Excellent alternative to toothbar for chiseling and breaking up compacted soil.
- ✔ Single bevel, 3/4" x 8", serrated bolt on edge with 5/8" holes spaced 6" on center.