

**TALET**

**EQUIPMENT**

**SK105 Sand Kicker**



**Parts & Operators Manual**

403-934-5878

[www.talet.ca](http://www.talet.ca)

Revised 2/7/25

# To The Owner

## General Comments

Congratulations on the purchase of your new Sand Kicker sand spreader. Your unit was carefully designed and manufactured to give you many years of dependable service. Your sand kicker will require some minor maintenance to keep it in top working condition. Be sure to observe all maintenance procedures and safety precautions in this manual and the safety decals located on the attachment and on any equipment on which it is mounted.

## About This Manual

Read this manual before using your Sand Kicker. This manual has been written to help you do a more efficient and safer job. Read this manual carefully and become familiar with the operating procedures before attempting to operate your Sand Kicker. Remember, never let anyone operate this unit without them having read and completely understanding the instructions in this manual, or having them be fully trained by an experienced, qualified person.

## Service

When servicing your Sand Kicker remember to use only original manufacturer replacement parts. Substitute parts may not meet the standards required for safe, dependable operation.

To facilitate parts ordering, record the model and serial number in the space provided on the page. This information may be obtained from the identification plate located above the mounting plate.

Model \_\_\_\_\_ Serial No. \_\_\_\_\_

Our parts department needs this information to ensure that you receive the correct parts for your specific model.

## Safety Precautions



### Safety Alert Symbol

This is the “Safety Alert Symbol” used by this industry. This symbol is used to warn of possible injury. Be sure to read all warnings carefully. They are included for your safety and for the safety of others working around you.

### Signal Words

Note the use of signal words Danger, Warning, and Caution with the safety messages. The appropriate signal word for reach has been selected using the following guidelines:

- **DANGER:** Indicates an immediate hazardous situation in which, if not avoided, will result in death or serious injury. This signal word is to be limited to the most extreme situations; typically for machine components which, for functional purposes, cannot be guarded.
- **WARNING:** Indicates a potentially hazardous situation in which, if not avoided, can result in death or serious injury and indicated hazards that exposed when guards are removed. It may also be used to alert against unsafe practices.
- **CAUTION:** Indicates a potentially hazardous situation which, if not avoided, may result in minor or moderate injury. It may also be used to alert against unsafe practices.

### Safety Rules

To ensure skid steer stability, and to prevent tipping, always observe the following safety rules:

- Keep clear of spinner while in operation
- Before operating the skid steer, read the operating and safety instructions provided by the manufacturer. Observe all warnings and cautions, particularly those which describe the use of seat belts and other operator restraints and those which describe the proper way of carrying loads as close to the ground as possible.

## Safety Precautions

- When using the Sand Kicker, be sure that the proper weight of the load is not too heavy. A light load sticking out too far can have the same tipping effect on the loader as a heavy load carried too close.
- Do not attempt to dig with the Sand Kicker. The scraper blade is made to scoop from **loose piles only**.
- Do not obstruct your vision when traveling or working. Carry the Sand Kicker low for maximum stability and visibility when traveling.
- Operate at speeds slow enough so that you have complete control at all times. Travel slowly over rough or slippery ground and on hillsides.
- Avoid steep slopes or unstable surfaces. If you must drive on a slope, keep the load low and proceed with extreme caution. Do not drive across a steep slope under any circumstances. Drive straight up and down the slope.
- Avoid turning on an incline, if at all possible. If it is necessary, use extreme caution and make the turn wide and slow with the bucket carried low.
- Never operate the spinner when people are standing by the hopper and could be injured by the sand or agitator inside the hopper.
- Never heap load heavy material where the combined weight of the bucket and the material could exceed the rated capacity of the skid-steer loader.



If you can't see where you are going then stop.

### Skid-steer Loader Safety

1. Read the entire skid-steer loader operators manual before ever attempting to use the skid steer loader. This knowledge is necessary for safe operation.
2. Follow all safety decals on the skid-steer loader. Keep them clean and replace them if they become worn and hard to read.

## Safety Precautions

3. Know the limitation of your equipment. Do not use equipment for anything other than what it was originally designed for.
4. Pay attention to the job at hand. Do not let your mind lose concentration on what you are doing.
5. Use your seat belt and R.O.P.S. (Roll Over Protective Structure) when operating the skid-steer loader. Keep belt and R.O.P.S. in good repair. Do not modify R.O.P.S. or seat belt. Do not remove R.O.P.S. or seat belt. Overturning the skid-steer loader without proper R.O.P.S. and seat belt can result in death.
6. Fasten your seat belt before and during skid steer loader operation. Remain seated at all times.
7. Do not take passengers on the skid steer loader or attachment. There is no safe place for a passenger.
8. Use hand hold when getting on and off the skid-steer loader. Failure to do so could cause a fall.
9. Inspect the skid steer loader before you try to operate the unit. Check for needed maintenance or repairs and have them done before using the equipment.
10. Never leave the skid steer loader running unattended. Always lower lift arms, set parking brake, turn off engine, and remove key.
11. Wear appropriate clothing such as safety glasses, ear plugs, etc. Do not wear loose fitting clothing; it may catch on the equipment. Always wear a hardhat when operating the skid-steer loader to prevent head injury.
12. When driving on public roads use safety light, reflectors, slow moving vehicle sign, etc., to prevent accidents. Check with local governments for regulations that may affect you.
13. Turn off the skid-steer loader before performing maintenance. If the lift arms must be left raised for any reason, use a positive lift arm lock to secure arms in place. Serious damage or personal injury could result from lift arms accidentally lowering.

## Safety Precautions

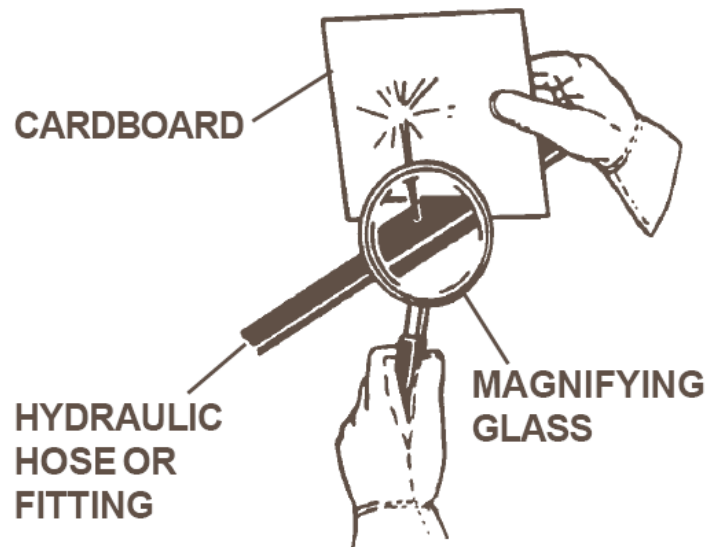


Escaping fluid under pressure can have sufficient force to penetrate the skin causing serious personal injury. Fluid escaping from a very small hole can be almost invisible. Use a piece of cardboard or wood, rather than your hands, to search for suspected leaks.

14. Reduce speed when driving on rough terrain, slopes, or turning, to avoid overturning the skid-steer loader.

15. Do not smoke when refueling the skid-steer loader. Allow room in the gas tank for expansion. Wipe up any spilled liquid. Secure cap tightly when done.

Keep unprotected body parts, such as face, eyes, and arms, as far away as possible from a suspected leak. Flesh injected with hydraulic fluid may develop gangrene or other permanent disabilities. If injured by injected fluid, see a doctor at once. If your doctor is not familiar with this type of injury, ask him to research immediately to determine proper treatment.



# Pre-Operation

## General Information

The purpose of this manual is to assist in setting up, operating, and maintaining your sand kicker. Parts lists and diagrams along with optional equipment available are located at the back of this manual. The illustration and data used in this manual were current at the time of printing, however, we reserve the right to redesign and change the sand kicker as may be necessary without notification.

## Preparing the Vehicle

Your skid-steer must be equipped with a universal quick-tach hitch and auxiliary hydraulics. read your skid-steer loader operator's manual and know the limitations of your skid-steer loader, it may require the addition of a counterweight kit to ensure that the combined weight of the bucket and the material does not exceed the rated capacity of your loader.

Note: An easy formula for calculating weight:

Bucket and material = empty bucket weight + 1000 lbs.



Do not use the hopper for mixing. Doing this will result in extreme premature wear.

## Mounting Instructions

After determining the rated capacity of your loader and adding any counterweight kits that are needed you are ready to install your sand kicker.

1. Install the bucket by following your skid-steer operators manual for installing an attachment. Be sure to lock the attachment to the skid-steer.
2. Connect the hydraulic hoses to the skid-steer auxiliary hydraulics using the quick couplers.

## Mounting Instructions

3. Turn the auxiliary hydraulics to the forward or locking position and the spinner should rotate so that the material in the hopper is discharged through the sliding doors at the bottom of the hopper. If the spinner will be discharging sand in the wrong direction, reverse the couplers.

4. Before attempting to load with sand, slowly lift and tilt bucket all the way forward. Ensure the hoses are long enough and will not get snagged on the sander or skid-steer loader.

## Operating Instructions

### Loading

We recommend disconnecting from the Sand Kicker and loading the hopper with a second bucket. If this is unavailable the Sand Kicker has been designed to be able to self-load from loose piles.

1. Remove the sidewalk guard if installed.
2. Lift hopper and tilt forward. Slowly scoop from pile ensuring that the spinner (bottom) mount is not damaged.



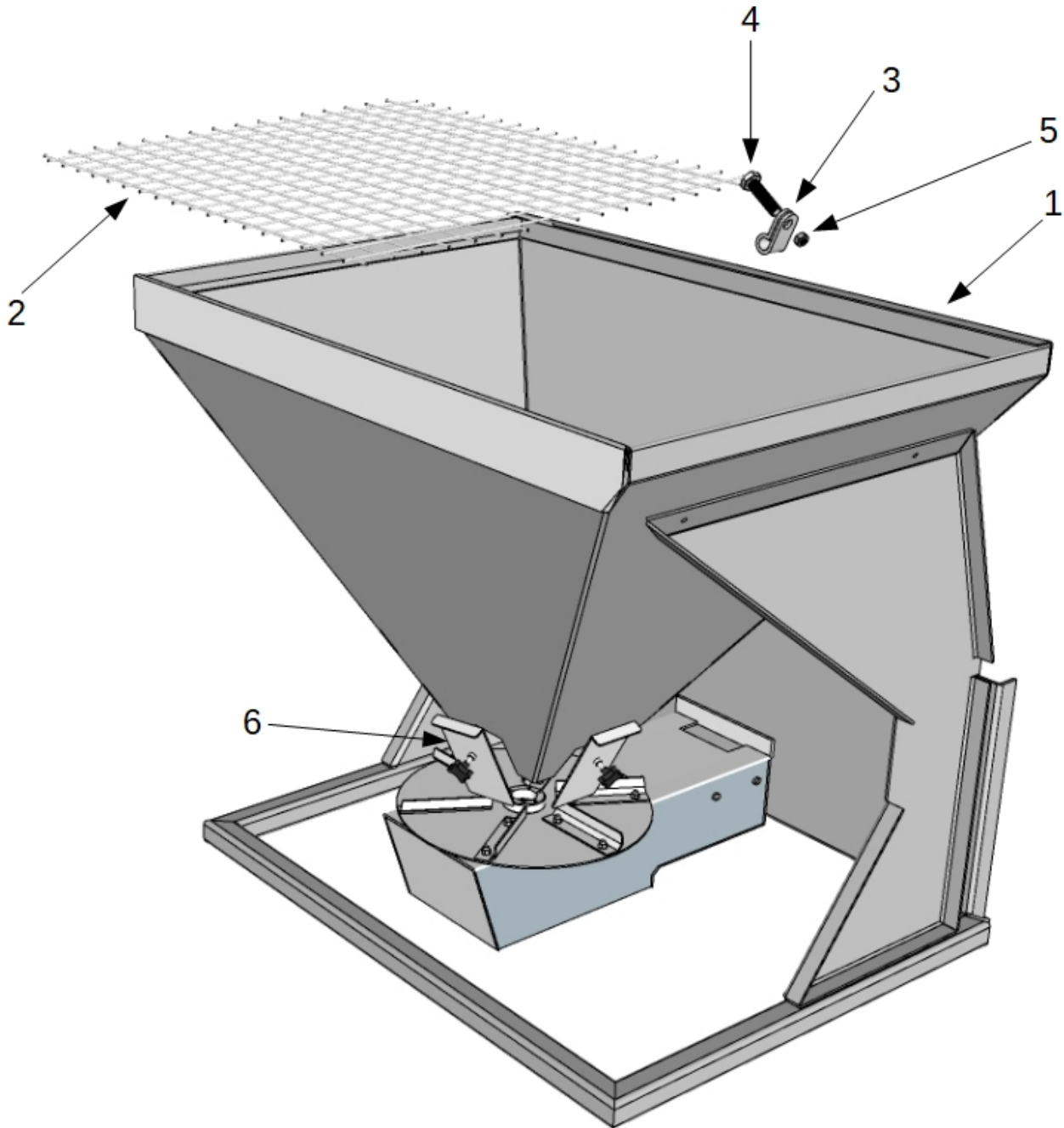
Do not load from hard or frozen piles.



Do not let wet sand or similar materials freeze in hopper.

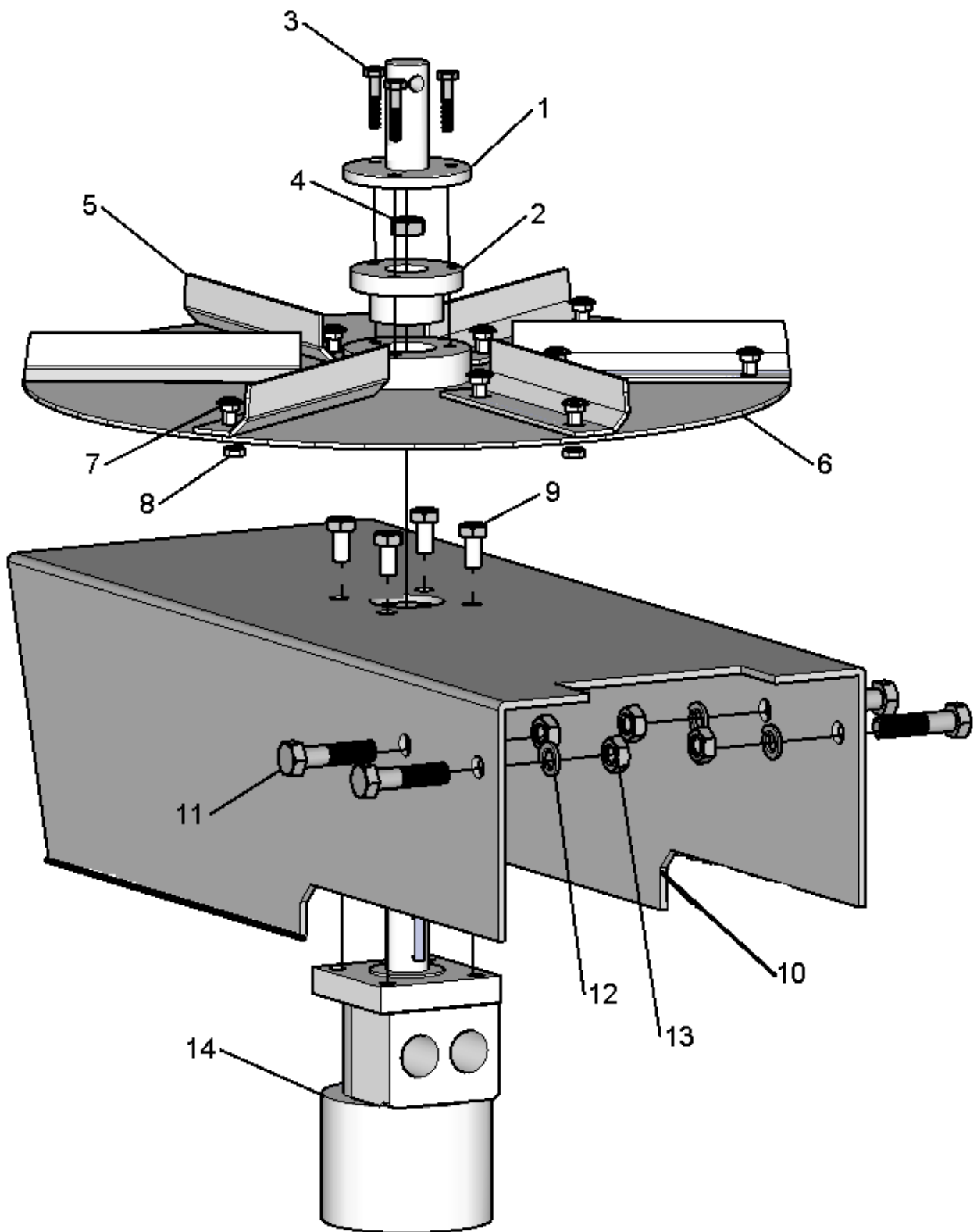


## Sand Kicker Assembly



| No. | Req'd | Part No. | Description                      |
|-----|-------|----------|----------------------------------|
| 1   | 1     | 91210    | Sand Kicker Frame                |
| 2   | 1     | 91219    | Grate                            |
| 3   | 4     | 91230    | Grate Retainers                  |
| 4   | 4     | 1043     | .38" UNC x 1.00" Hex Capscrew    |
| 5   | 1     | 1536     | .38" UNC Nylock Nut              |
| 6   | 3     | 30007    | Slide Door with Knob             |
| -   | 1     | 91312    | Rubber Hose Retainer (Not Shown) |

# Motor Mount Assembly



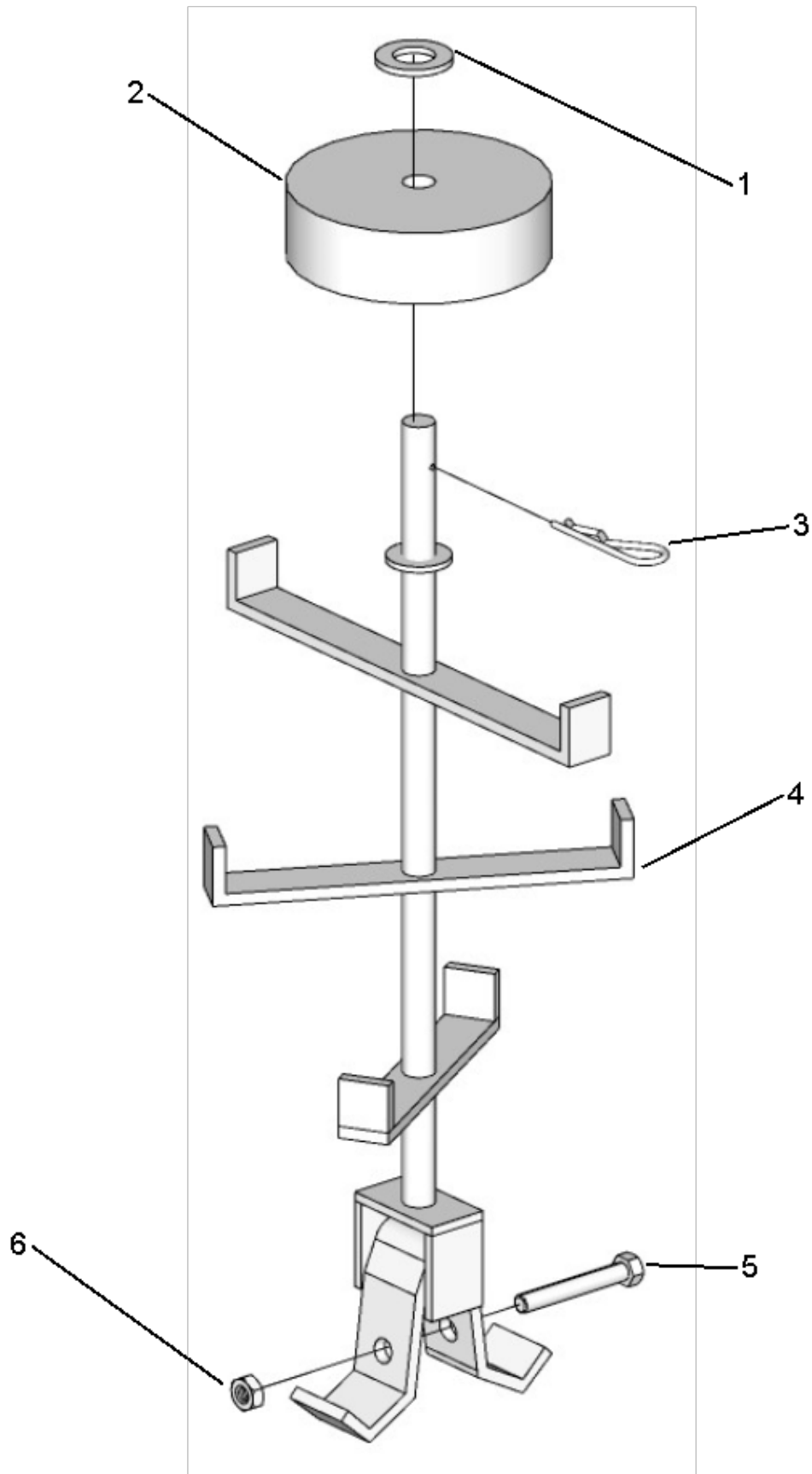
## Motor Mount Assembly

| No. | Req'd | Part No. | Description                    |
|-----|-------|----------|--------------------------------|
| 1   | 1     | 30004    | Linkage                        |
| 2   | 1     | 30003    | Bushing                        |
| 3   | 3     | 1006     | .25" UNC x 1.50" Hex Capscrew  |
| 4   | 1     | 1226     | .38" Nut – Used As Spacer Only |
| 5   | 6     | 30008    | Spinner Blades                 |
| 6   | 1     | 30002    | Spinner Plate                  |
| 7   | 12    | 30009    | .31" UNC x .75" Carriage Bolt  |
| 8   | 12    | 87601    | .31" UNC K-Nut                 |
| 9   | 4     | 87561    | .38" UNC x .75" Hex Capscrew   |
| 10  | 1     | 91232    | Spinner Mount                  |
| 11  | 4     | 1090     | .50" UNC x 1.5" Hex Capscrew   |
| 12  | 4     | 1505     | .50" Lock Washer               |
| 13  | 4     | 1228     | .50" UNC Hex Nut               |
| 14  | 1     | 87484    | Hydraulic Motor                |
| -   | 1     | 87551    | Replacement Key                |

Note: Items 5-8 also sold as an assembly (part # 90372).

Note: Items 5,7,8 also sold as an assembly (part # 90077).

# Agitator Assembly

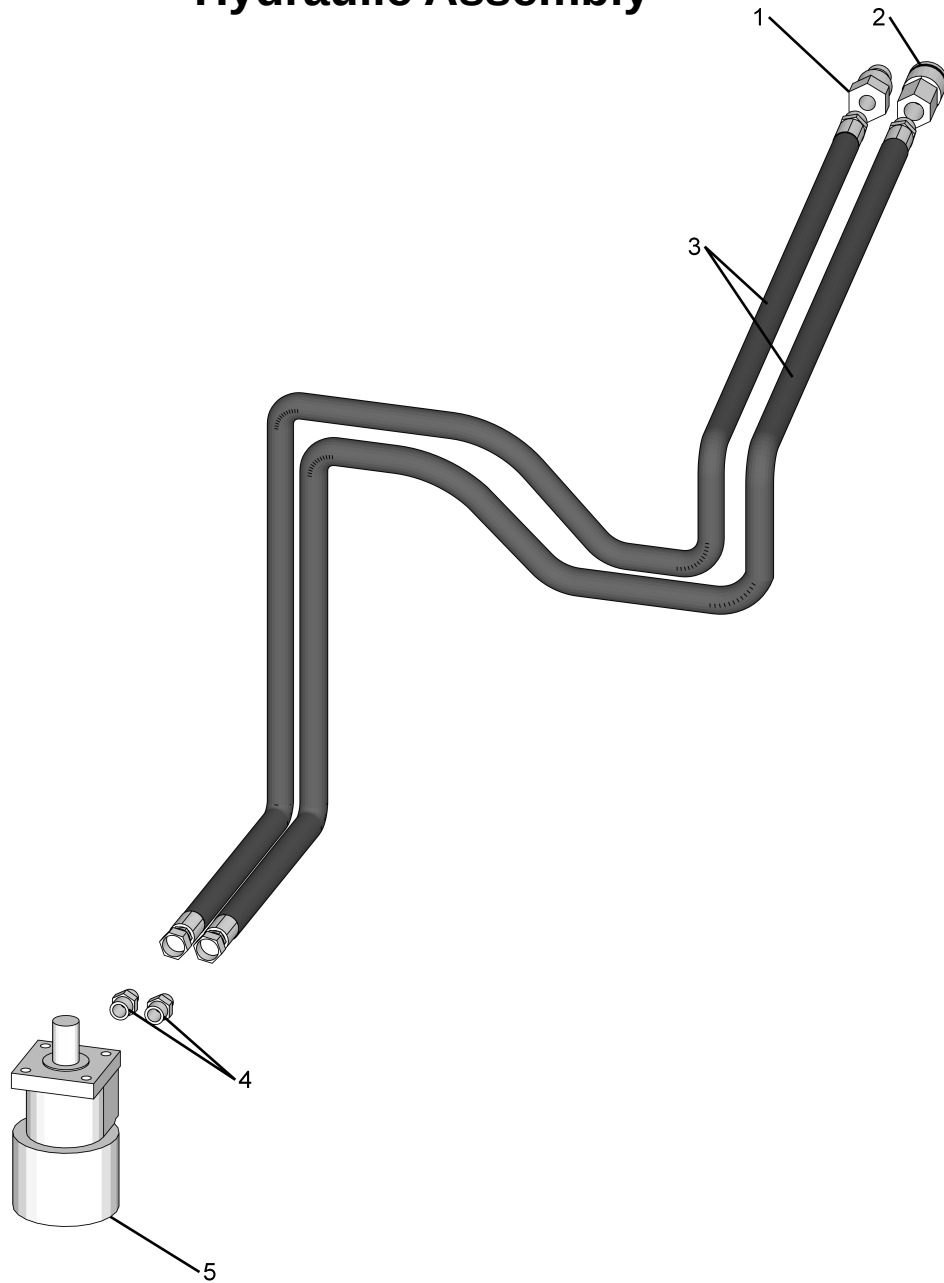


## Agitator Assembly

| <b>No.</b> | <b>Req'd</b> | <b>Part No.</b> | <b>Description</b>            |
|------------|--------------|-----------------|-------------------------------|
| 1          | 1            | 1517            | .62" Flat Washer              |
| 2          | 1            | 30006           | Guide Wheel                   |
| 3          | 1            | 1617            | Hair Pin                      |
| 4          | 1            | 30005           | Agitator                      |
| 5          | 1            | 1047            | .38" UNC x 2.00" Hex Capscrew |
| 6          | 1            | 1837            | .38" UNC Steel Lock Nut       |

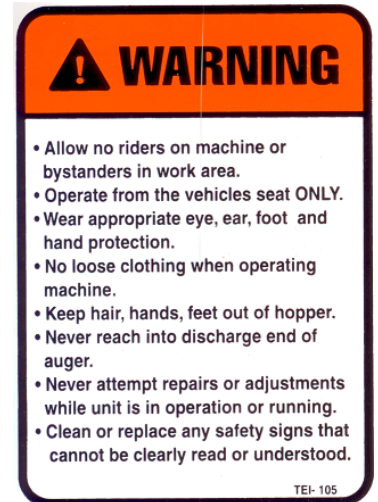
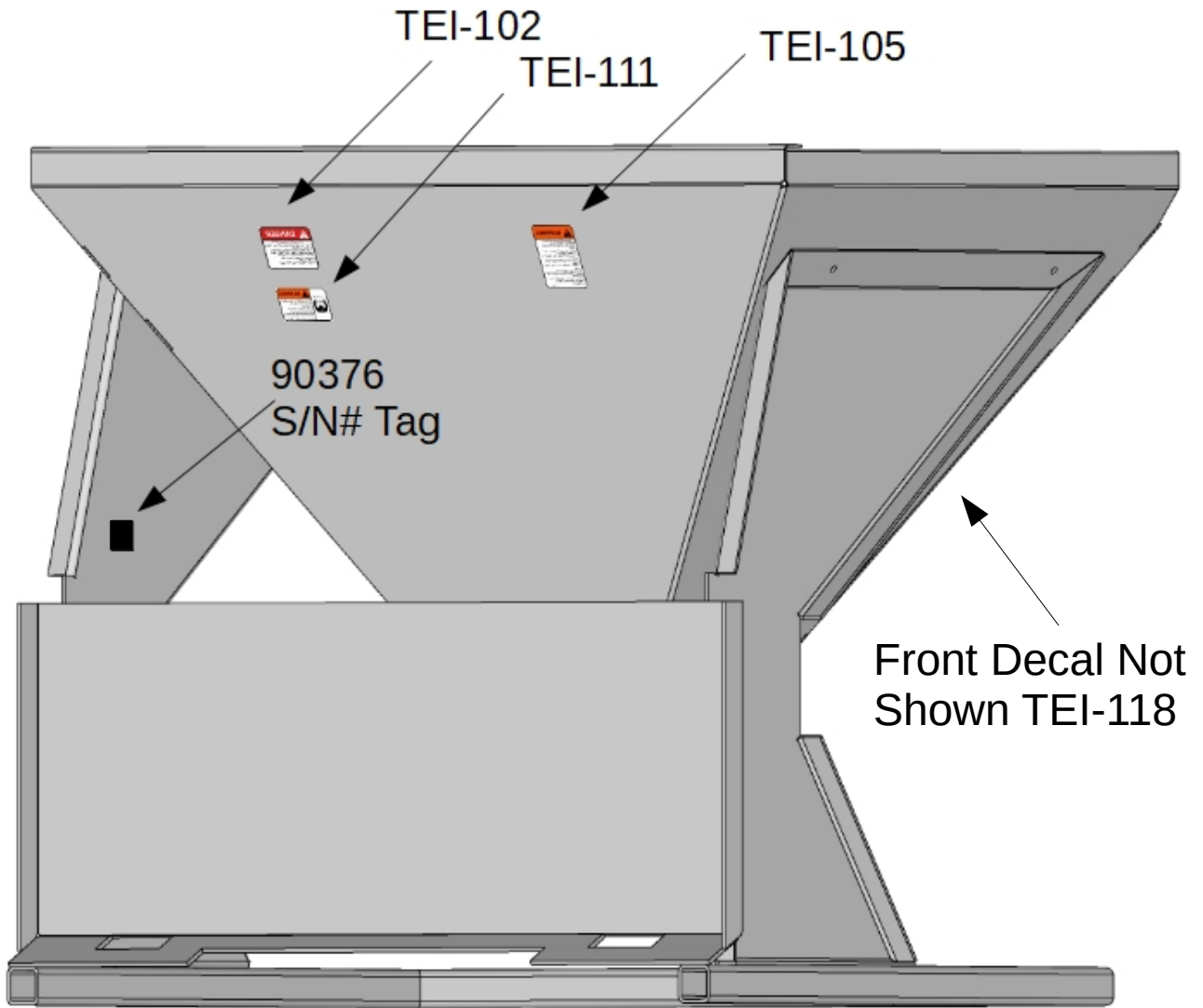
Note: Items 1-6 also sold as an assembly (part # 90068).

# Hydraulic Assembly



| No. | Req'd | Part No. | Description                           |
|-----|-------|----------|---------------------------------------|
| 1   | 1     | 91252    | 90° Flat Face Male Coupler (8 ORB)    |
| 2   | 1     | 91251    | 90° Flat Face Female Coupler (8 ORB)  |
| 3   | 2     | 3072     | Hose Assembly .50" x 108" 10FJ – 10MB |
| 4   | 2     | 3071     | Straight Adapter 10MB – 10MJ          |
| 5   | 1     | 87484    | Hydraulic Motor                       |
| -   | 1     | 87551    | Replacement Key                       |

# Decals



TEI-111

## **Warranty**

All new Talet products are warranted to be free from defects in materials or workmanship which may cause failure under normal usage and service when used for the purpose intended.

In the event of failure within twelve (12) months from initial retail sale, lease or rental date (excluding cable, ground engaging parts such as sprockets, digging chain, bearings, teeth, tamping and demolition heads, blade cutting edges, pilot bits, auger teeth, auger heads & broom bristles), if after examination, Talet determines failure was due to defective material and/or workmanship, parts will be repaired or replaced. Talet may request defective part or parts be returned prepaid to them for inspection at their place of business at Strathmore, Alberta or to a location specified by Talet.

Any claims under this warranty must be made within fifteen (15) days after the Buyer learns of the facts upon which such claim is based. All claims not made in writing and received by talet within the time period specified above shall be deemed waived.

This warranty is in lieu of all other warranties expressed or implied and there are no warranties of merchantability or of fitness for a particular purpose. In no event shall Talet be liable for consequential or special damage.

Talet's liability for any and all losses and damages to buyer, resulting from any cause whatsoever, including Talet's negligence, irrespective of whether such defects are discoverable or latent, shall in no event exceed the purchase price of the particular products with respect to which losses or damages are claimed, or, at the election of Talet, the repair or replacement of defective or damaged products.