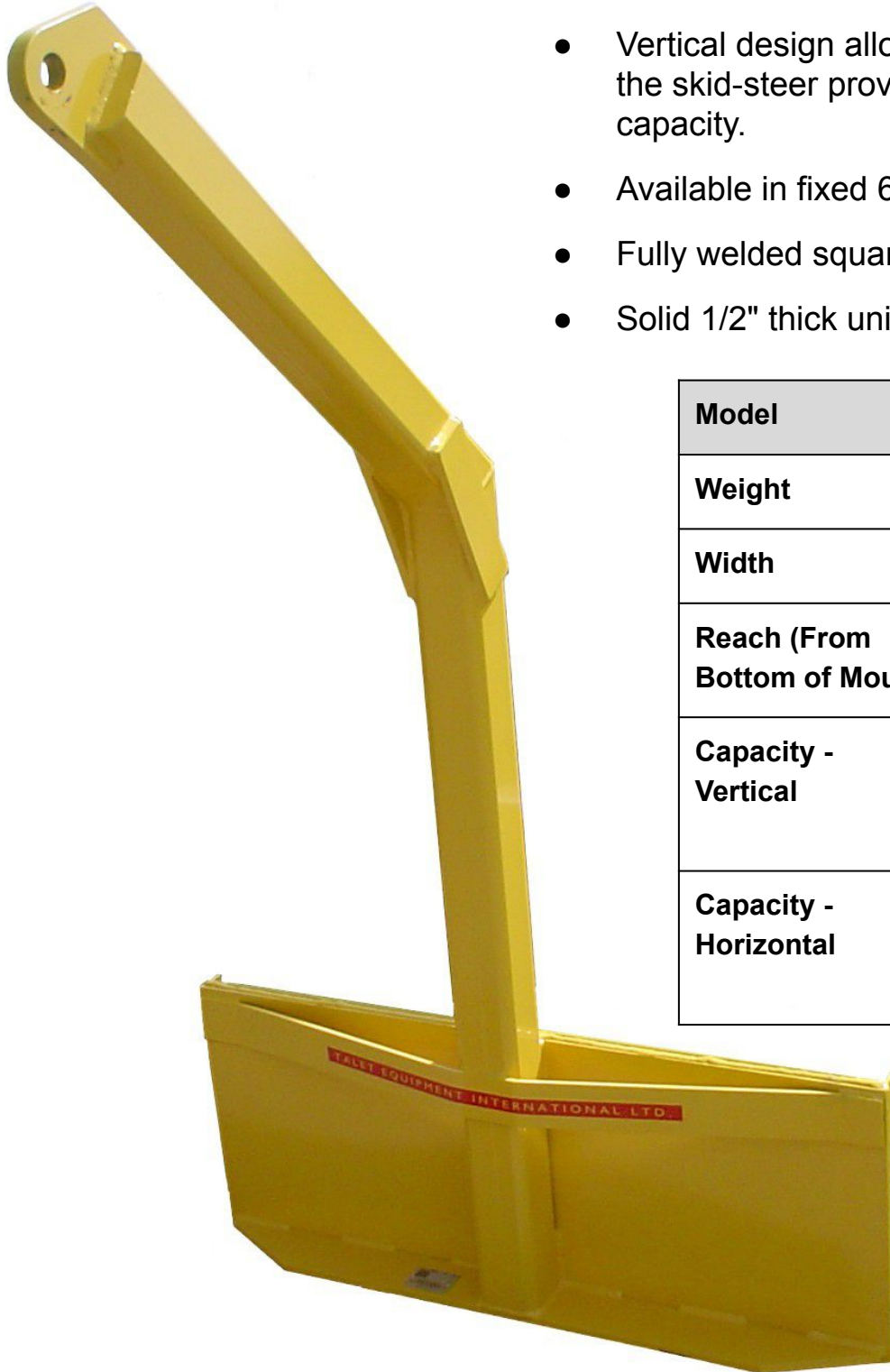


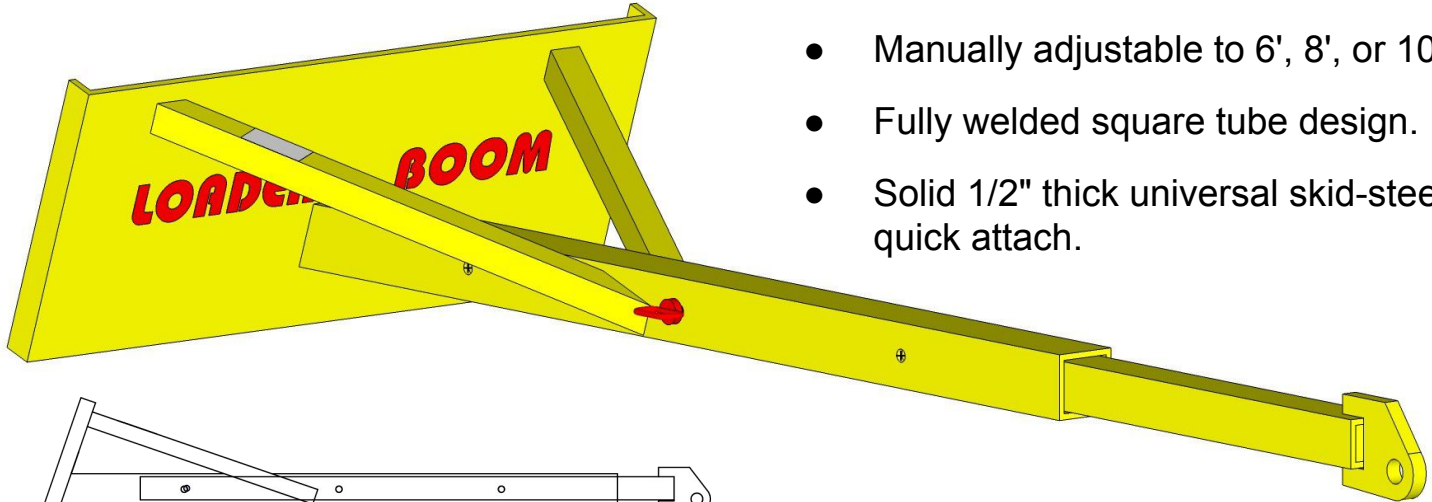
# Fixed Loader Boom



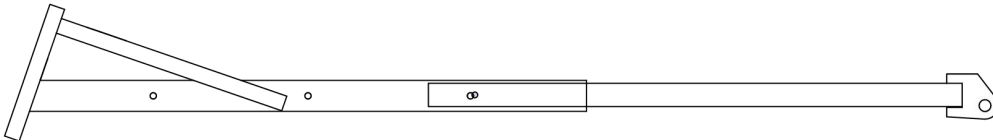
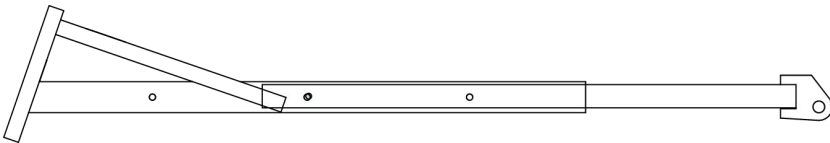
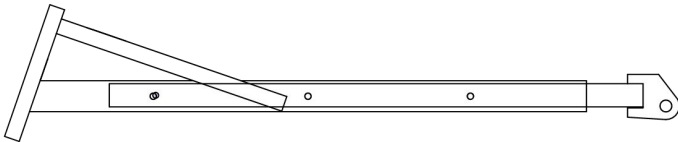
- Vertical design allows the load to be carried closer to the skid-steer providing increased operating capacity.
- Available in fixed 6' or 8' lengths.
- Fully welded square tube design.
- Solid 1/2" thick universal skid-steer quick attach.

Model	6000H	6000HX
Weight	230 lbs.	250 lbs.
Width	46"	
Reach (From Bottom of Mount)	84"	104"
Capacity - Vertical	70% of Operating Capacity	60% of Operating Capacity
Capacity - Horizontal	30% of Operating Capacity	20% of Operating Capacity

## Adjustable Loader Boom



- Manually adjustable to 6', 8', or 10'.
- Fully welded square tube design.
- Solid 1/2" thick universal skid-steer quick attach.



Model	6000HS
Weight	330 lbs.
Width	46"
Reach (From Bottom of Mount)	72", 96", 120"
Capacity - Vertical	-
Capacity - Horizontal	1,100 lbs. (6') - 900 lbs. (8') - 700 lbs. (10')