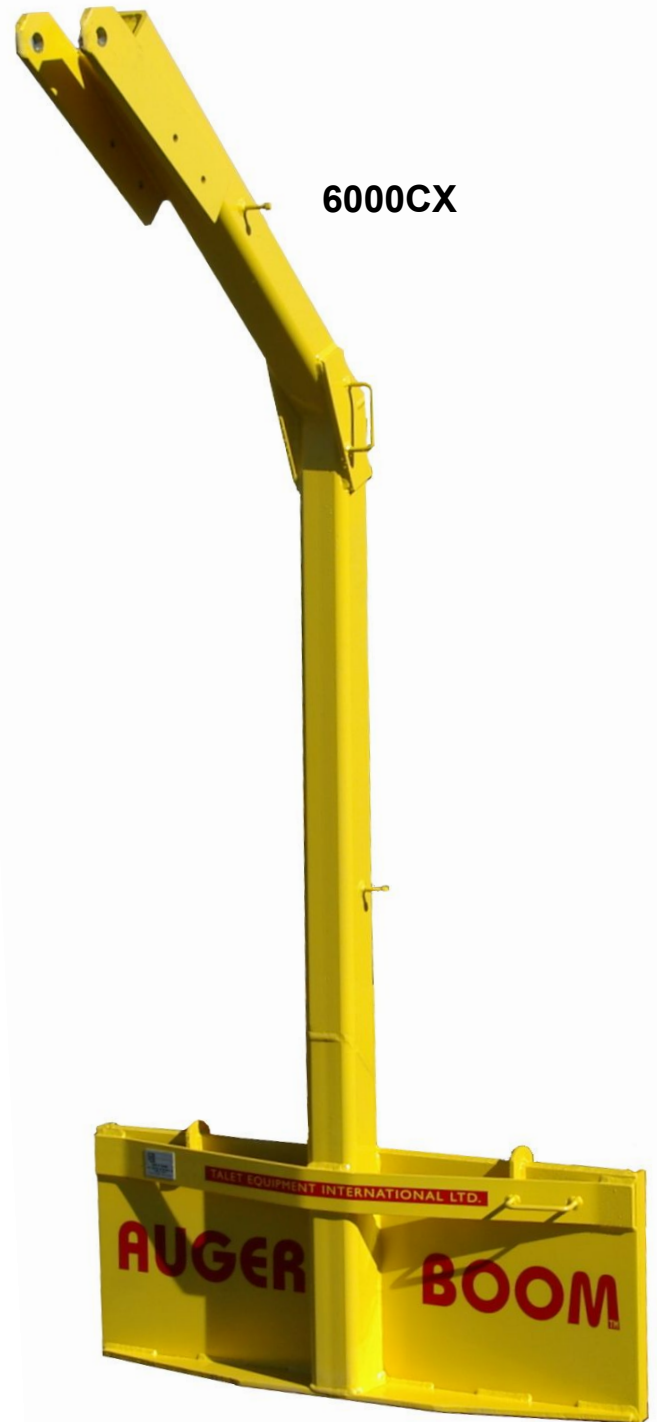
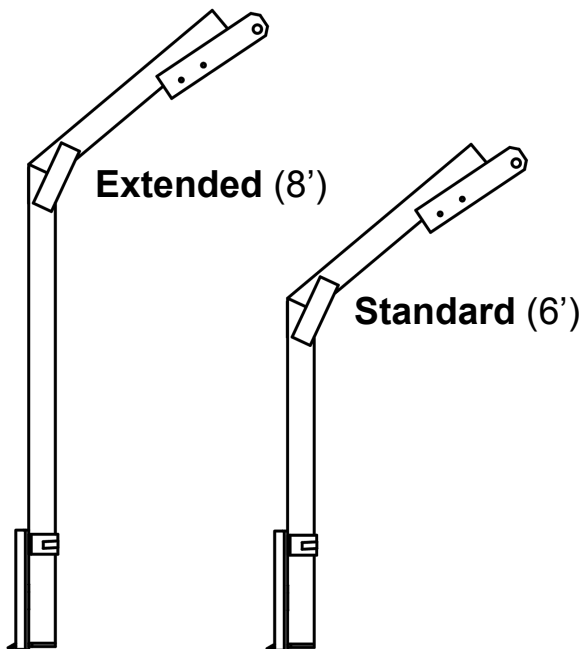
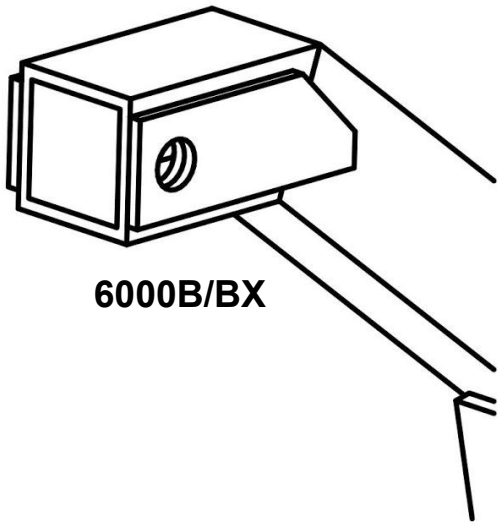


Auger Boom

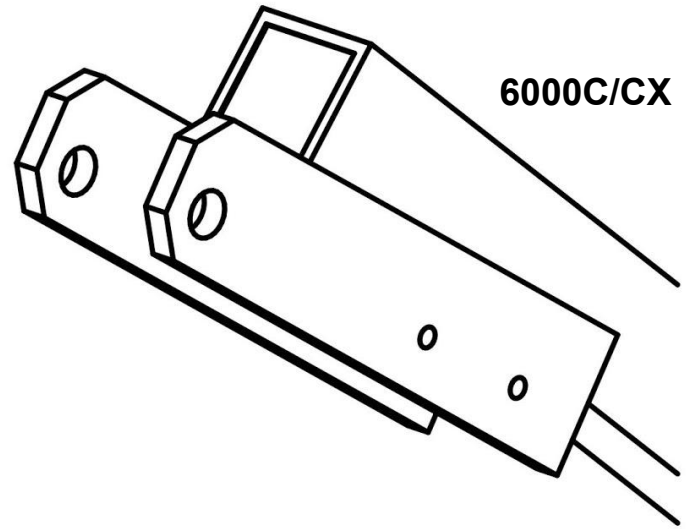
- Fully welded square tube design.
- Fits most auger drive models including Bobcat, Cat, McMillen, John Deere, Beltec, Lowe, and Danuser.
- Two sizes available providing 6' or 8' of extended reach.
- Includes hose clamps to keep hoses routed securely along side of boom.
- Solid 1/2" thick universal skid-steer quick attach.
- Optional cradle (21670) and hose kits available for McMillen, John Deere, and Danuser drives.



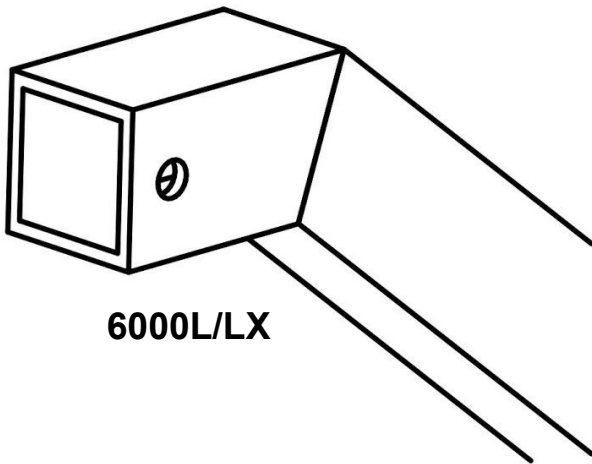
Auger Boom Specifications



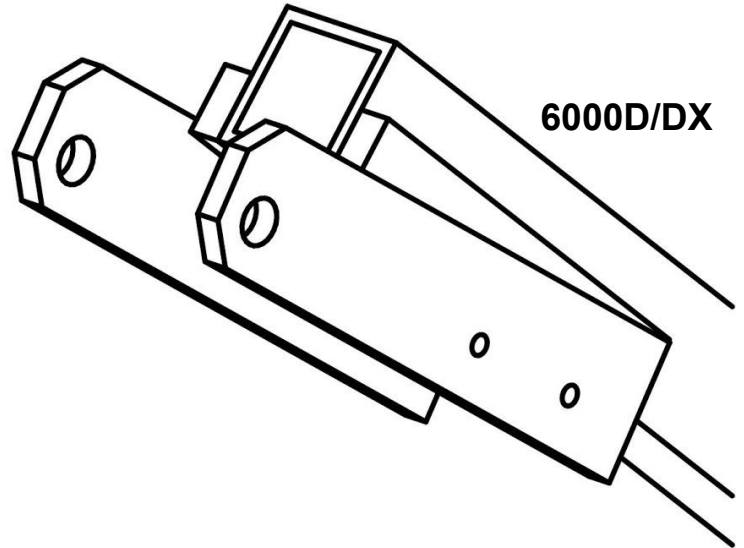
6000B/BX



6000C/CX



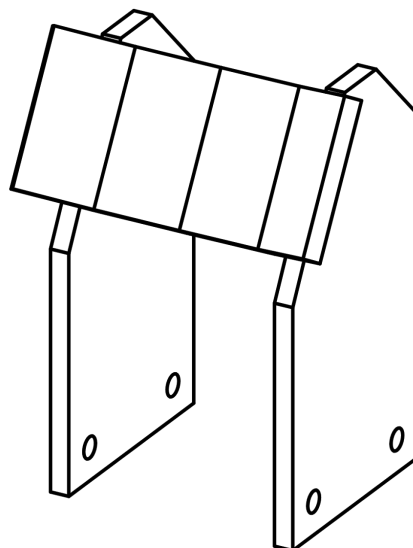
6000L/LX



6000D/DX



Swivel Kit
McMillen
Drives Only



Cradle
C and D
Drives Only

Auger Boom Specifications

6' Models	6000B	6000C	6000D	6000L
Width	46"	46"	46"	46"
Height (Vertical Boom)	76"	76"	76"	76"
Length (Vertical Boom)	38"	39"	39"	38"
Reach	72"	72"	72"	72"
Weight	230 lbs.	230 lbs.	235 lbs.	225 lbs.
Fits	Bobcat	McMillen, John Deere, Danuser	Cat, Beltec	Lowe
Cradle	Use Bobcat #6562109	Part # 21670	Included	NA

8' Models	6000BX	6000CX	6000DX	6000LX
Width	46"	46"	46"	46"
Height (Vertical Boom)	96"	96"	96"	96"
Length (Vertical Boom)	38"	39"	39"	38"
Reach	96"	96"	96"	96"
Weight	250 lbs.	250 lbs.	255 lbs.	245 lbs.
Fits	Bobcat	McMillen, John Deere, Danuser	Cat, Beltec	Lowe
Cradle	Use Bobcat #6562109	Part # 21670	Included	NA