



PALADIN
LIGHT CONSTRUCTION GROUP

 **BRADCO**

 **FFC**

 **HARLEY**

 **McMILLEN**

 **SWEEPSTER**

The Power of Combined Excellence

Mounting Instructions and Parts List For



SWEEPSTER

Assembly 11-17624
CTH, Front Tank for
John Deere 1445



2800 North Zeeb Road • Dexter, Michigan 48130-9797
734-996-9116 • 1-800-456-7100 • FAX 734-996-9014

51-4744, 11/16

Mounting Instructions

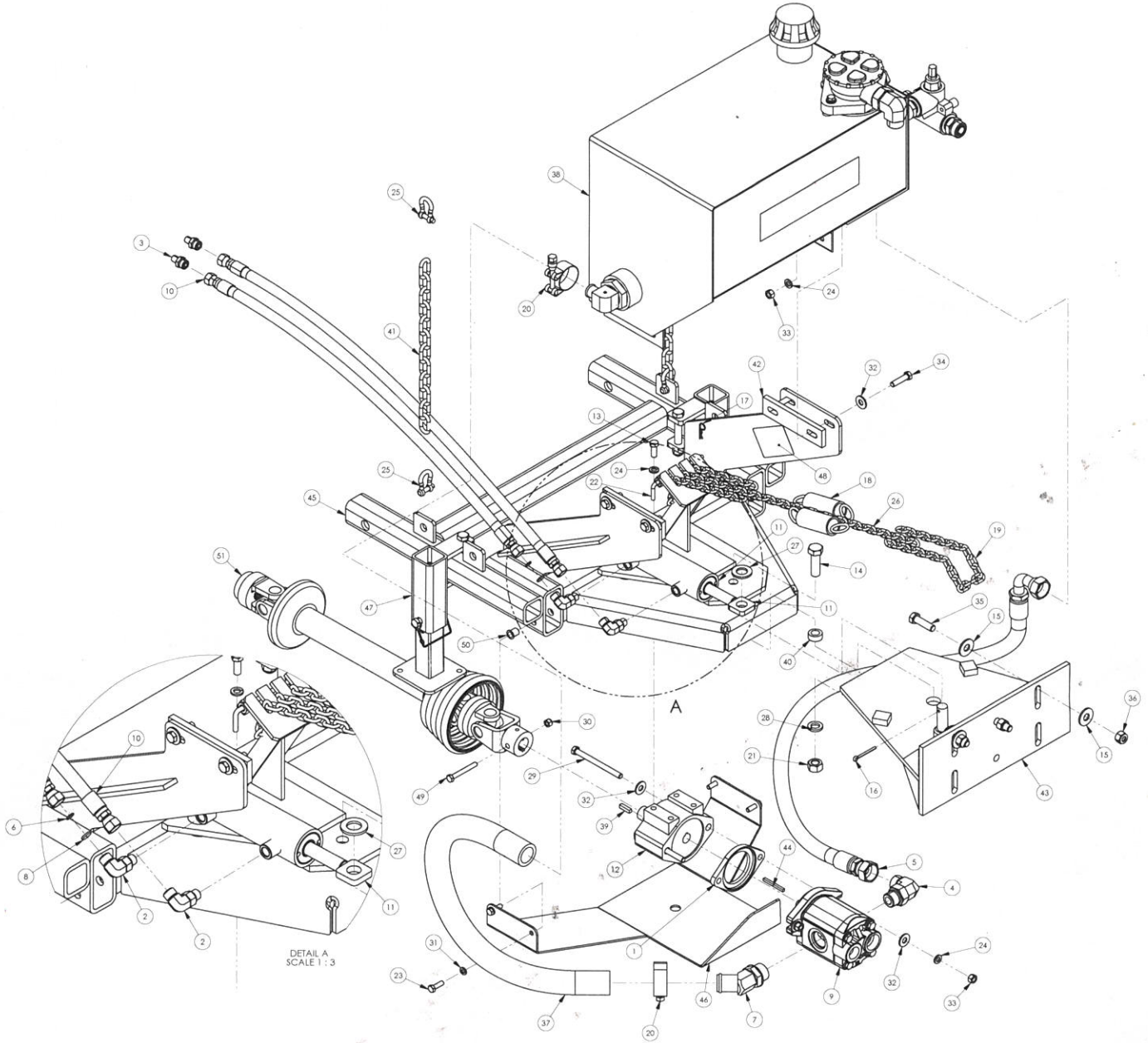
Assembly 11-17624

1. Unpack parts and then compare them to the parts list.
If you discover any shortages, contact SWEEPSTER or your dealer.
2. Remove the mower deck and drive shaft from the tractor.
3. Attach the mounting frame to the tractor using pins from mower.
4. Connect chains on the sweeper mounting frame to the tractor frame.
5. Attach the tank to the mounting frame using hardware provided.
6. Connect the drive shaft to the bearing and the tractor PTO.
Tighten the hardware.
7. Install barb fittings on the tank and the pump inlet.
8. Connect the suction hose to the barb fittings with clamps.
9. Connect the return-line hose from the pump assembly to the tank.
10. Install the swing assembly and brush head according to operator's manual instructions with the follow exception:
 - a. Use hardware provided in this assembly to mount brush head to swing plate.
 - b. Center screw should be tight enough to still allow brush frame to pivot side to side.
 - c. The two outside screws should be tight enough so the brush frame will still pivot.
 - d. Hardware tension may need to be adjusted to get desired brush frame pivoting.



Parts List

Assembly 11-17624



2800 North Zeeb Road • Dexter, Michigan 48130-9797
734-996-9116 • 1-800-456-7100 • FAX 734-996-9014

51-4744, 11/16

Parts List

Item	Part	Qty	Description
1.	03-1334	1	Spacer, A Flange, Aluminum
2.	03-2092	2	Elbow, 90°, 6MB-6MF
3.	03-2159	2	Fitting, 6MF-4MP
4.	03-2177	1	Elbow, 90°, 12MB-12MF
5.	03-2576	1	Hose, .75 x 36, 12FF-12FF90, 3.1K
6.	03-3573	1	O-Ring, Face Seal, 3/8 SAE #6
7.	03-4478	1	Barb, 20, 16MB45
8.	03-4668	1	Plate, Hydraulic, Orifice .028
9.	03-5324	1	Pump, 1.65 CID, 2 Bolt-A, CCW
10.	03-5418	2	Hose, .38 x 30, 6FF-6FF, 3K, AR
11.	03-5719	1	Cylinder, 1.75 x .75 x 4, 3.5K
12.	05-0802	1	Block, Bearing, 1RD, 3/4RD
13.	07-0018	4	Screw, HHC, Gr8, 3/8-16 x 1
14.	07-0066	1	Screw, HHC, Gr8, 5/8-11 x 2
15.	07-0156	4	Washer, Flat, Gr8, 1/2
16.	07-0206	2	Pin, Cotter, Gr2, 3/16 x 2
17.	07-0209	1	Clip, Hairpin, 16Ga x 1 3/8
18.	07-0237	2	Spring, Tension, 1 13/32 x 6
19.	07-0387	2	Chain, 3/16, 26 Links
20.	07-1192	2	Clamp, T-Bolt, 1 1/4
21.	07-1294	1	Nut, Hex, Gr8, 5/8-11
22.	07-1709	1	Pin, Clevis, 1/4 x 4 1/2
23.	07-1714	4	Screw, HHC, Gr8, .31-18 x 1
24.	07-1718	10	Washer, Lock, Split, Medium, 3/8
25.	07-1732	4	Shackle, Chain, 1/4, with Screw Pin
26.	07-1759	1	Chain, 3/16, 36 Links
27.	07-1782	2	Washer, Flat, Gr2, 3/4
28.	07-1872	1	Washer, Lock, Split, Medium, 5/8
29.	07-2488	2	Screw, HHC, Gr8, 3/8-16 x 4 1/2
30.	07-3270	1	Nut, Hex, Nylock, .31-18 Gr8
31.	07-3273	4	Washer, Lock, Split, Med, .31
32.	07-3279	8	Washer, Flat, Gr8, 3/8
33.	07-3654	6	Nut, Hex, Gr8, 3/8-16
34.	07-3655	4	Screw, HHC, Gr8, 3/8-16 x 1 1/2
35.	07-3671	3	Screw, HHC, Gr8, 1/2-13 x 1 3/4
36.	07-4037	3	Nut, Hex, Nylock, Gr8, 1/2-13
37.	09-0020	4.5ft	Hose, Suction, 1 1/4
38.	11-5444	1	Assembly, Tank, with Relief
39.	11-6526	1	Key, 1/4 x 1
40.	11-7479	1	Bushing, 1 x 5/8 x 7/16
41.	13-2896	2	Chain, 1/4, 12 Links
42.	13-11707	2	Plate, Spacer, 3/8 x 1 1/2 x 6, with Slots
43.	13-17224	1	Weld, Plate, Swing
44.	13-17791	1	Key, 3/16 x 2
45.	13-19695	1	Weld, Frame, Mounting
46.	13-19701	1	Plate, Cover, Pump
47.	28-10522	1	Kit, Stand, Bolt-On
48.	50-0635	1	Label, Plate, Part Number/Date
49.	RHW1112	1	Screw, HHC .31-18x2.50 Gr5
50.	RHW8642	4	Nut, Insert, Round, .31-18, .150-.312 GL
51.	TCA19050	1	Shaft, CV, 1" Round, 7/8, Hex, 7-8 Ft



2800 North Zeeb Road • Dexter, Michigan 48130-9797
734-996-9116 • 1-800-456-7100 • FAX 734-996-9014