

 **BRADCO**

 **FFC**

 **HARLEY**

 **MAJOR**

 **McMILLEN**

 **SWEEPSTER**

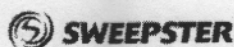
PALADIN LIGHT CONSTRUCTION

Installation Instructions and Parts List For



SWEEPSTER

Kit: 28-5518
WSP HOPPER



2800 North Zeeb Road • Dexter, Michigan 48130-9797
734-996-9116 • 1-800-456-7100 • FAX 734-996-9014

Installation Instructions

1. Unpack parts and then compare them to the parts list. If you discover any shortages, contact SWEEPSTER or your dealer.

NOTE - Caster Kit 28-10072 is required for hopper use.

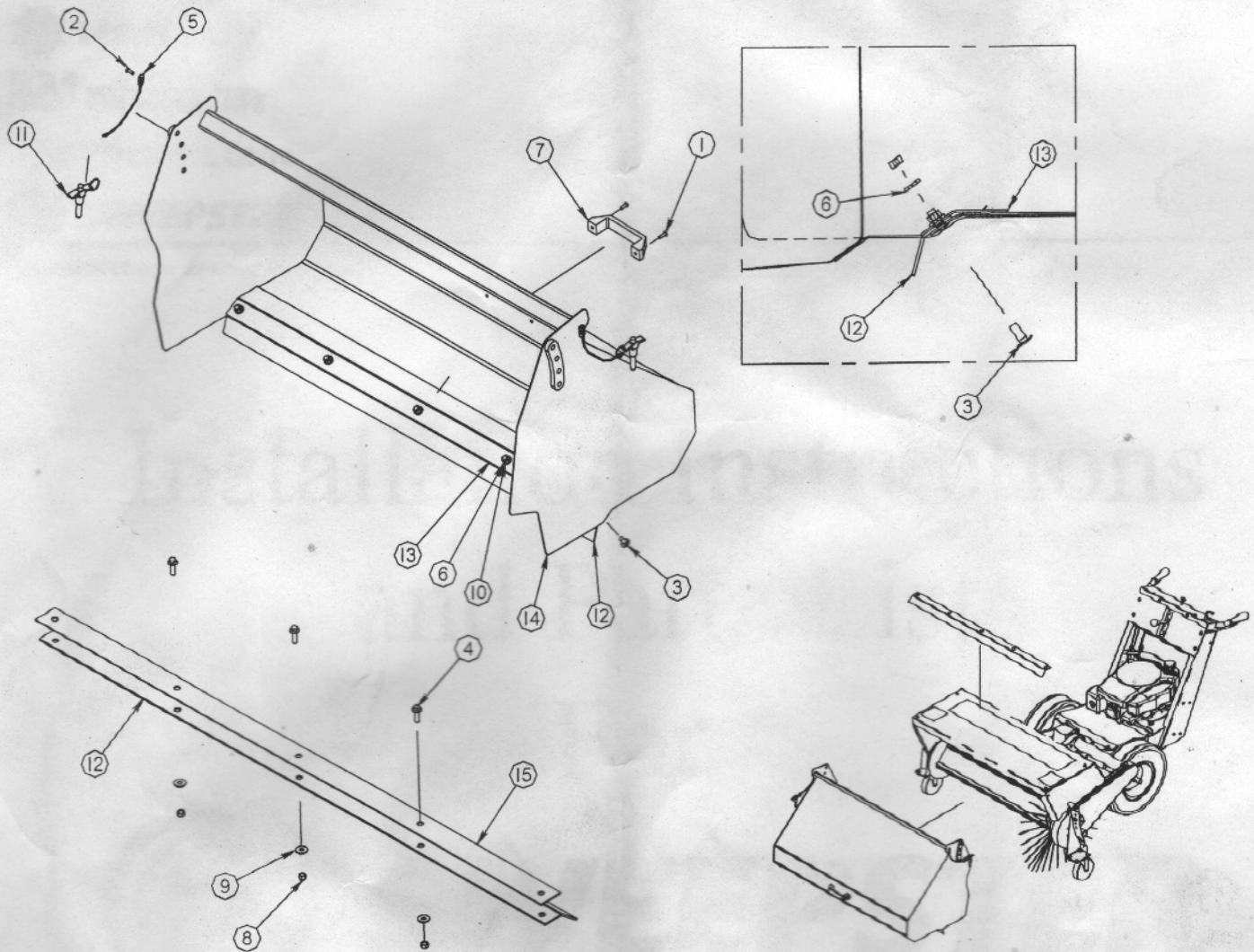
2. Install caster kit and adjust position of casters for the proper sweeping pattern. Refer to owner's manual.
3. Remove the two forward M6 screws that retain the hood to the hood side plates and temporarily install the flap retainer (13-19204) to the hood of the sweeper. Use as a guide for drilling the three additional holes needed in the hood.
4. Using a 11/32 twist drill, drill the three additional holes.
5. Remove the flap retainer.
6. Install the flap and flap retainer to the hood with supplied hardware.
7. Attach hopper to the WSP with quick release pins.
 - a. If brush is new, use the top set of holes in the hopper.
 - b. As the brush wears it will be necessary to adjust the position of the casters as well as using the lower holes in the hopper to maintain the proper height for collection of swept material.
8. Debris collected in the hopper can be removed by either removing the hopper with the quick release pins and dumping the contents, or rotate the hopper on the quick release pins by lifting the handle located on the front of the hopper.

NOTICE - AVOID HOPPER DAMAGE. Do not use for snow removal.



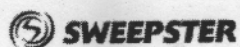
2800 North Zeeb Road • Dexter, Michigan 48130-9797
734-996-9116 • 1-800-456-7100 • FAX 734-996-9014

Parts List



Item	Part	Qty	Description
------	------	-----	-------------

1.	07-1075	2	Rivet, Pop, Gr2, 3/16 x .626-.750 Grip
2.	07-1597	2	Rivet, Pop, Aluminum, 3/16 x 1/2 Grip
3.	07-2950	5	Bolt, Carriage, CL8.8, M8-1.25 x 20mm
4.	07-2952	3	Screw, HFH, CL10.9, M6-1 x 20
5.	07-3011	2	Lanyard, 1/16 Cable, 1 1/4 Tab x 6, Type C
6.	07-3275	5	Washer, Flat, Gr8, 5/16
7.	07-4202	1	Handle, Plastic
8.	07-4530	3	Nut, Hex, Nylock, CL8.8, M6 x 1
9.	07-4927	3	Washer, Fender, CL8.8, M6
10.	07-6591	5	Nut, Hex, Nylock, CL8.8, M8-1.25
11.	07-7186	2	Pin, Quick Release, .375
12.	09-0286	2	Flap, 6 x 39
13.	13-16004	1	Plate, Bolt On
14.	13-16006	1	Weld, Hopper
15.	13-19204	1	Plate, Retainer, Flap



2800 North Zeeb Road • Dexter, Michigan 48130-9797
734-996-9116 • 1-800-456-7100 • FAX 734-996-9014