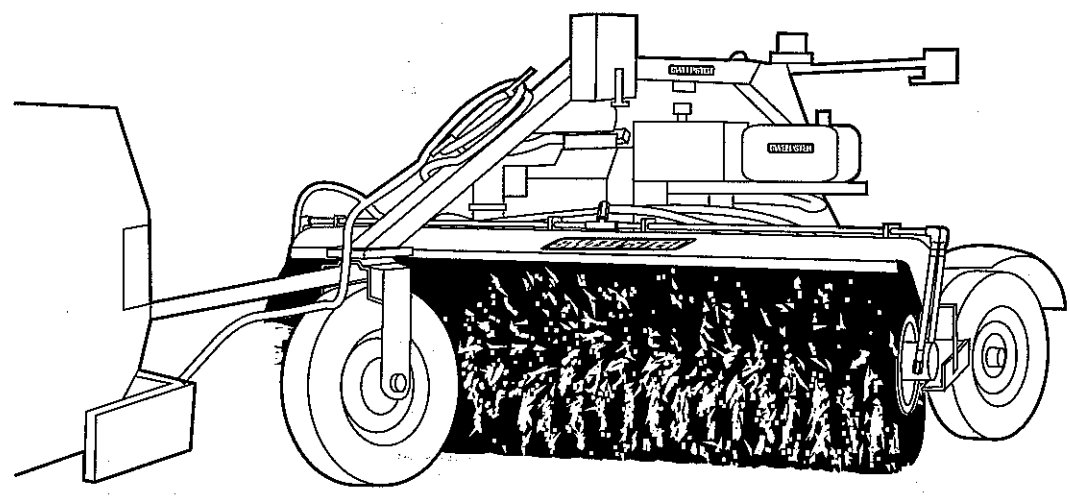


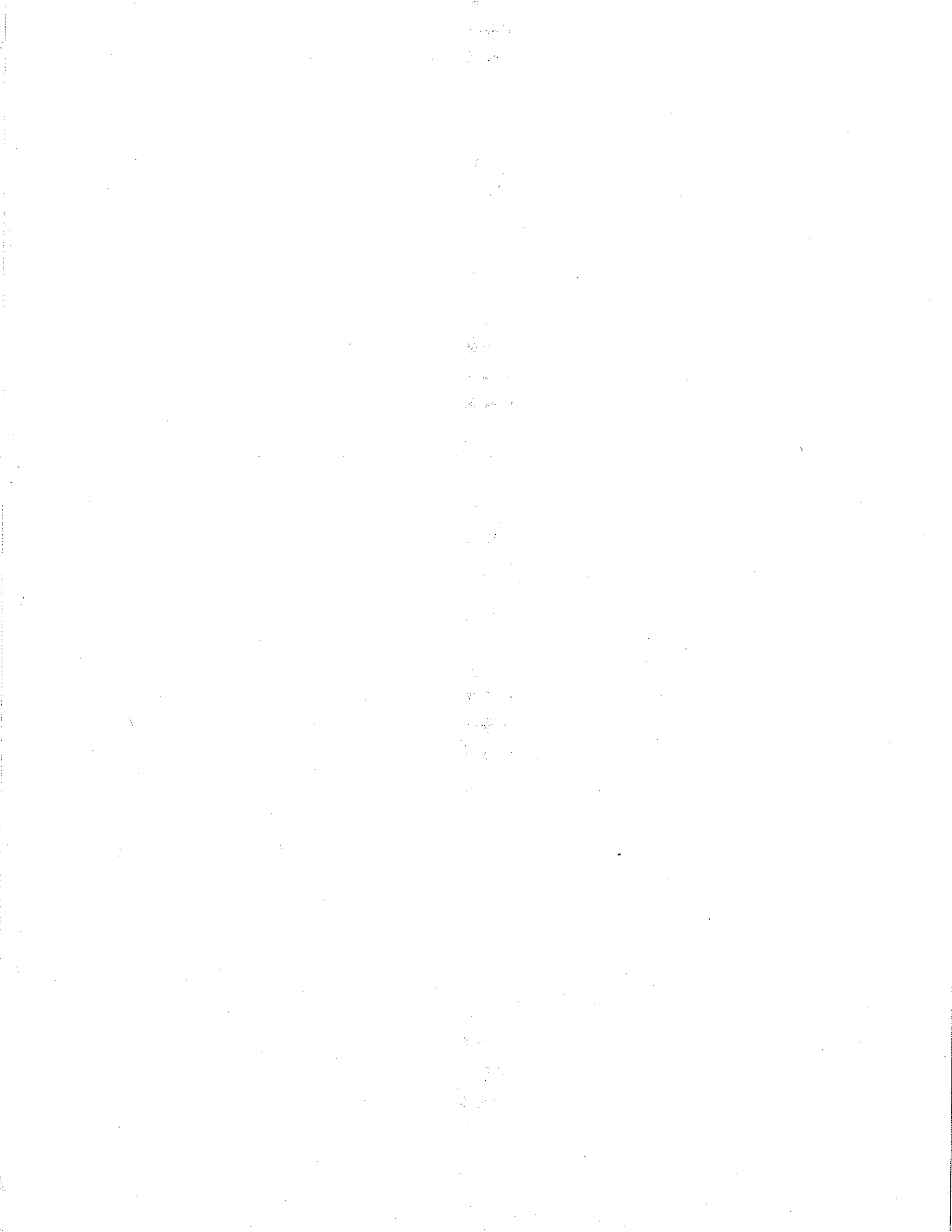


H Series

Hydraulic Windrow Sweeper
for Towing



SWEEPSTER, Inc.
2800 N. Zeeb Road • Dexter, MI 48130
(734) 996-9116 • FAX (734) 996-9014
1-800-456-7100
www.sweepster.com



Introduction

Serial & Part Numbers

On your unit you will find a serial number plate and/or part number plate(s). The numbers on these plates are very important if you wish to order parts or accessories. For your convenience, record numbers in the appropriate spaces below.

| | |
|---------------------------------|----------------------|
| SWEEPSTER | |
| Model # | Serial # |
| <input type="text"/> | <input type="text"/> |
| Empty | GVW |
| <input type="text"/> | <input type="text"/> |
| Dexter, MI 48130 1-800-456-7100 | |

| | |
|------------------------------------|----------------------|
| SWEEPSTER | |
| Dexter, MI 48130 1-800-456-7100 | |
| Part Number | Date |
| <input type="text"/> | <input type="text"/> |

| | |
|------------------------------------|----------------------|
| SWEEPSTER | |
| Dexter, MI 48130 1-800-456-7100 | |
| Part Number | Date |
| <input type="text"/> | <input type="text"/> |

| | |
|------------------------------------|----------------------|
| SWEEPSTER | |
| Dexter, MI 48130 1-800-456-7100 | |
| Part Number | Date |
| <input type="text"/> | <input type="text"/> |

Introduction

Importance of this Manual

This operator's manual should be regarded as part of the sweeper. Suppliers of both new and secondhand sweepers are advised to keep documentation indicating that this manual was provided with the sweeper.

The manual contains information regarding installation, operation and maintenance required for this sweeper model and optional equipment. It also includes detailed parts lists.

Purpose of Sweeper


This sweeper is designed solely for use in construction cleanup, road maintenance, grounds maintenance, snow removal and similar operations. Use in any other way is considered contrary to the intended use. Compliance with and strict adherence to operation, service and repair conditions, as specified by the manufacturer, are also essential elements of the intended use.

This sweeper should be operated, serviced and repaired only by persons who are familiar with its characteristics and acquainted with relevant safety procedures.

Accident prevention regulations, all other generally recognized safety regulations and all road traffic regulations must be observed at all times.

Any modifications made to this sweeper may relieve the manufacturer of liability for any resulting damage or injury.

Safety Alert Symbol

 This safety alert symbol indicates important safety messages in this manual. When you see this symbol, be alert to the possibility of injury. Carefully read the message that follows and inform other operators.

Contacting SWEEPSTER

If you have any questions about information in this manual or need to order parts, please call, write, FAX or e-mail SWEEPSTER.

SWEEPSTER, Inc.
2800 North Zeeb Road
Dexter, Michigan 48130
Phone: (734) 996-9116 • (800) 456-7100
FAX: (734) 996-9014
e-mail: sweep@sweepster.com

For help with installation, operation or maintenance procedures, contact our Technical Service Department. Direct product questions and parts orders to our Sales Department.

When ordering parts or accessories, be prepared to give the following information:

- Sweeper model, serial number and date of purchase
- Prime mover make and model
- Part number, description and quantity

Terms Used in Manual

Right-hand, left-hand, front and rear are determined from the operator's perspective (either the operator's seat or standing behind a walk-behind unit), facing forward in the normal operating position.

Prime mover refers to the tractor, truck, loader or tow vehicle that a sweeper is mounted on or towed by.

Optional Equipment

Installation instructions for optional equipment, if applicable, appear with parts lists in the back of the manual.

Specifications & Features

Due to continuous product improvement, specifications and features may change without notice.

Warranty

To validate the warranty for this unit, fill out the warranty card or warranty pages located at the back of this manual. Then, send this information to SWEEPSTER.


Safety Information


Read this Manual


Read all safety information in this manual. All operators must read and understand the entire contents of this manual before sweeping. General safety practices are listed on Safety Information pages and specific safety information is located throughout this manual.

Hazard Definitions

Four hazard classifications are used in this manual. They are


 **CAUTION** – Indicates a potentially hazardous situation which, if not avoided, may result in minor or moderate injury.

 **WARNING** – Indicates a potentially hazardous situation which, if not avoided, could result in death or serious injury.

 **DANGER** – Indicates an imminently hazardous situation which, if not avoided, will result in death or serious injury.

IMPORTANT – Used for instructions when machine damage may be involved.

Operation


 **CAUTION** – A sweeper is a demanding machine. Only fully trained operators or trainee operators under the close supervision of a fully trained person should use this machine.

Before sweeping:

- Learn sweeper and prime mover controls in an off-road location.
- Be sure that you are in a safe area, away from traffic or other hazards.
- Check all hardware holding the sweeper to the prime mover, making sure it is tight.
- Make sure all hydraulic fittings and hardware are tight.
- Replace any damaged or fatigued hardware with properly rated fasteners.

- Check prime mover tire pressure before sweeping.
- Check tire ratings to be sure they match the prime mover load. Weigh the sweeper end of the prime mover, if necessary, to insure proper tire rating.
- Remove from the sweeping area all property that could be damaged by debris flying from the sweeper.
- Be sure all persons not operating the sweeper are clear of the sweeper discharge area.
- Always wear proper apparel such as a long-sleeve shirt buttoned at the cuffs; safety glasses, goggles or a face shield; ear protection; and a dust mask.

When sweeping, adhere to all government rules, local laws and other professional guidelines for your sweeping application.

 **WARNING** – Never raise the sweeper more than a few feet off the ground. The sweeper can tip back or the prime mover can tip over causing death or serious injury.

Before leaving the operator's area for any reason – lower the sweeper to the ground, stop the prime mover engine, set the brakes and remove the key from the ignition.

Minimize flying debris – use the slowest brush speed that will do the job.

Keep hands, feet, hair and loose clothing away from all moving parts.

Leave the brush hood (shield) and all other shields and safety equipment in place when operating the sweeper and prime mover.

Be aware of the extra weight and width a sweeper adds. Reduce travel speed accordingly.

When sweeping on rough terrain, reduce speed to avoid “bouncing” the sweeper. Loss of steering can result.

Never sweep toward people, buildings, vehicles or other objects that can be damaged by flying debris.

Safety Information

Service & Repair



CAUTION – Do not modify the sweeper in any way. Personal injury could result. If you have questions, contact your dealer or SWEEPSTER.

Repair or adjust the sweeper in a safe area, away from road traffic and other hazards.

Before adjusting or servicing the sweeper – lower the sweeper to the ground, stop the prime mover engine, set the brakes and remove the key from the ignition.

When working on or around the sweeper, lower it to the ground or secure it with transport chains or cylinder-stop locks.

Stop the prime mover engine and cycle control levers to release hydraulic pressure before servicing or adjusting sweeper hydraulic systems.



WARNING – Escaping hydraulic fluid can have enough pressure to penetrate the skin, causing serious personal injury.

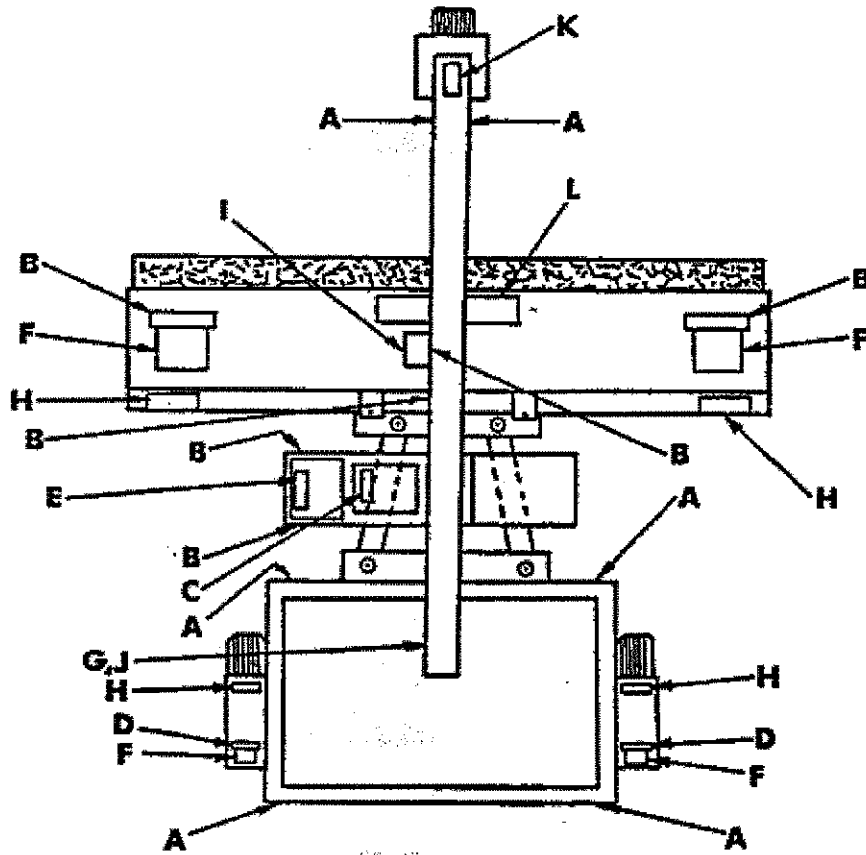
Safety Signs & Labels

Important

Always keep safety signs clean and readable, and always replace any damaged or missing safety signs with new ones from SWEEPSTER.

Safety sign and label locations are shown below. For representations of these safety signs and labels, refer to page 9.

Locations



| Item | Part | Qty | Description |
|------|-----------|-----|----------------------------------|
| A | 50-0026 | 6 | Label, Tie Down Here |
| B | 50-0186 | 6 | Label, Small, Black, Logo |
| C | 50-0009 | 1 | Label, Important, Hydraulic, Oil |
| D | 50-0184 | 2 | Label, Small, White, Logo |
| E | 50-0006 | 1 | Label, Danger, Gasoline |
| F | 50-0008-1 | 4 | Label, Danger, No Riders |
| G | 50-0004 | 1 | Label, Plate, Serial No. |
| H | 50-0076-1 | 4 | Label, Caution, Pinch Point |
| I | 50-0014-1 | 1 | Label, Read Manual |
| | 50-0014-2 | 1 | Label, Warning, Running Sweeper |
| J | 50-0022 | 1 | Label, Important, Ground Wire |
| K | 50-0005 | 1 | Label, Danger, Lights and Chains |
| L | 50-0191 | 1 | Label, Medium, Black, Logo |

Safety Signs & Labels

Representations of Labels

Locations shown on page 8.



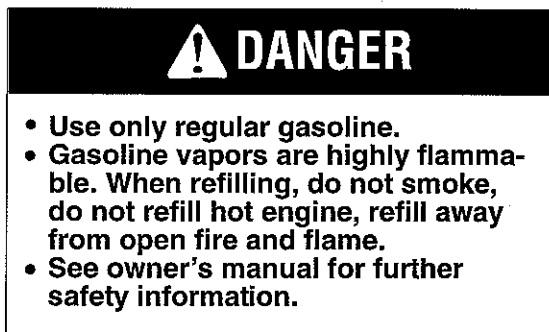
A. 50-0026



B. and D. 50-0186, 50-0184



C. 50-0009



E. 50-0006



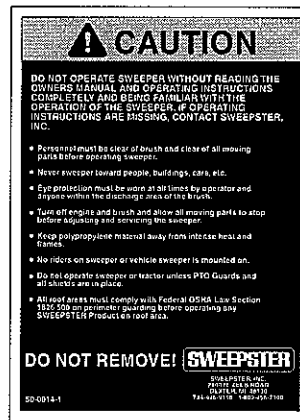
F. 50-0008-1



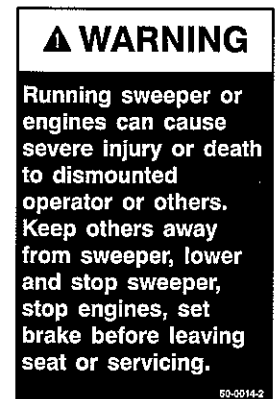
G. 50-0004



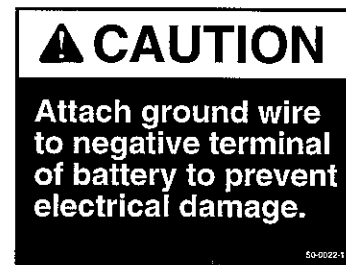
H. 50-0076-1



I. 50-0014-1



I. 50-0014-2



J. 50-0022



K. 50-0005

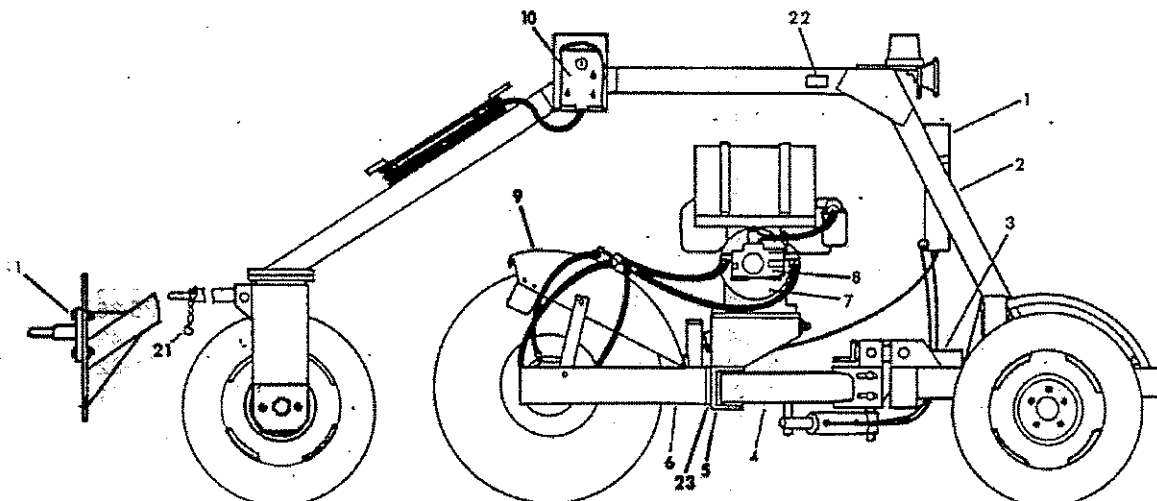
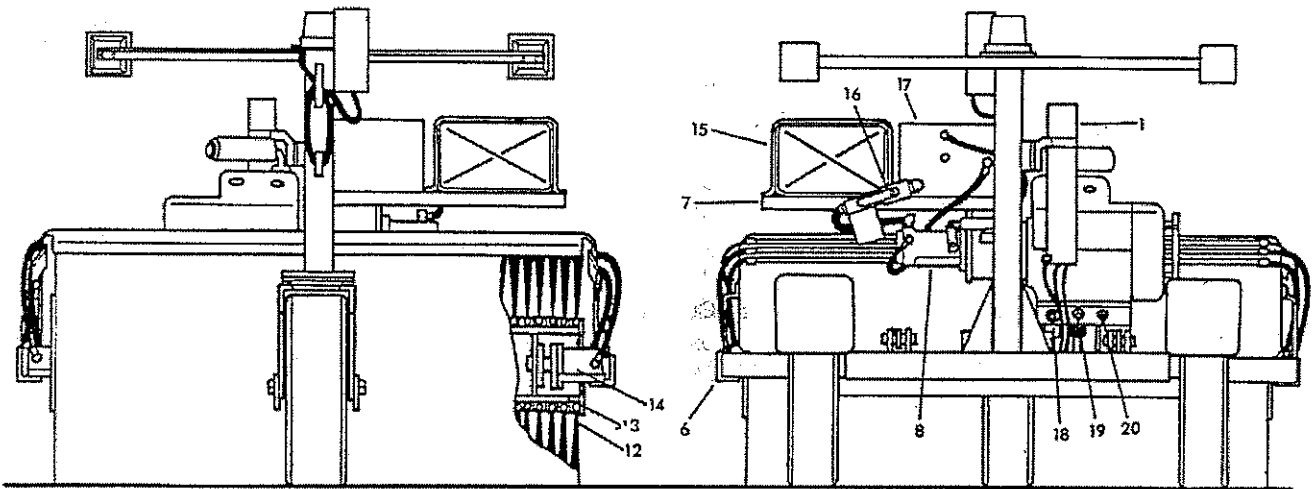


L. 50-0191

Installation

Reference Diagram

1. Monarch Hydraulic Unit (Swing Lift)
2. Main Frame
3. Battery Holder
4. Swing Frame Assembly
5. Engine Mounting Frame
6. Brush Head Assembly
7. Hydraulic Pump/Tank and Fuel Tank Mounting Frame
8. Hydraulic Pump – Brush Drive
9. Brush Hood
10. Control Box
11. Hitch Bolts and Hardware Grade 8
12. Brush Sections
13. Core
14. Hydraulic Motor
15. Fuel Tank
16. Valve – Oil Shut-Off
17. Hydraulic Tank
18. Lift Cylinder
19. Spring-Chain Assembly
20. Transport Chain
21. Safety Chain – Hitch
22. Serial Number Plate
23. Brush Head Mounting Plate



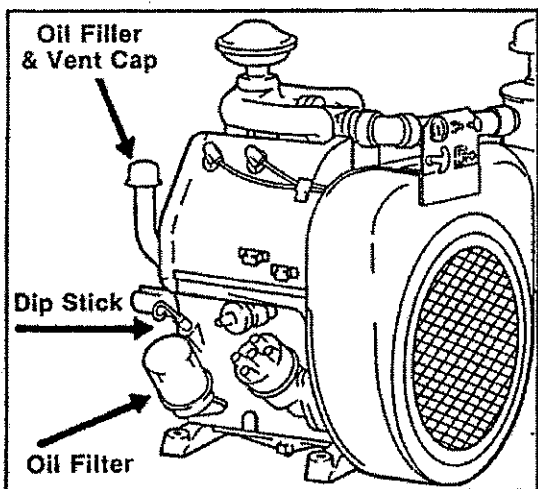
Installation

Engine Oil Level

Wisconsin Engine Only

Check engine crankcase oil level with dipstick located at the back, left side of the engine, (See Figure below).

Add oil as necessary (see "Grade of Oil" chart in Wisconsin Starting and Operating Manual supplied with this sweeper). Fill through the oil filler (vent cap) to the level indicated by the FULL mark on the dip stick.



NOTE – If sweeper is equipped with an optional engine, refer to the operator's manual supplied with this sweeper for those engines.

Engine Fuel

Wisconsin Gasoline Engine Only

Fill the fuel tank with regular grade gasoline.

NOTE – If sweeper is equipped with an optional engine, refer to the operator's manual supplied with this sweeper for those engines.

Battery Installation

A battery is not supplied with this unit. A 12 volt 70 amp battery is recommended for use with Wisconsin Engines. This system is negative ground.

1. Place battery in holder located behind swing assembly on carrier frame. Secure battery with attached rubber strap.
2. Connect short battery cable (attached to frame of sweeper) to negative post of battery.
3. Connect long battery cable (attached to the Monarch solenoid) to positive post of battery.



CAUTION – Never allow battery acid to come in contact with eyes, skin, clothing, or any surface. Flush immediately with large amounts of water and consult a doctor at once if acid gets on skin or in eyes.

Hitch

Connect drawbar, pintle, or ball hitch to tow vehicle.



CAUTION – Be sure tow vehicle and tow vehicle hitch are rated to carry the Gross Vehicle Weight (G.V.W.) of this sweeper (weigh sweeper with water tank full to determine the G.V.W. of sweeper).

Two-Wheeled Sweepers Only

Adjust hitch height as required to level top of main-frame front-to-rear. Hitch mounting bolts must be tight and secured with lock washers.



CAUTION – Use only grade 8 bolts, nuts, and washers for replacement in hitch.

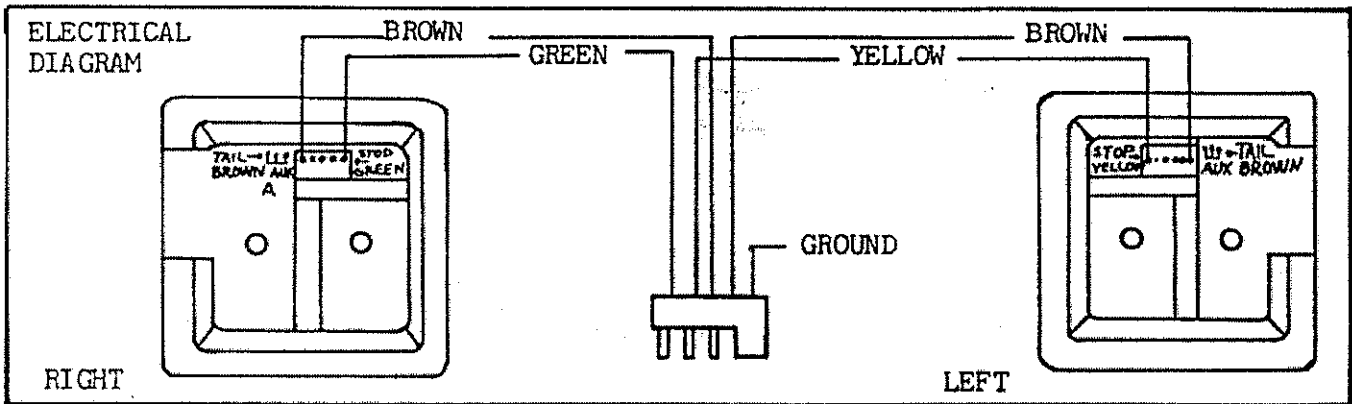
Installation

Tail Light Hook-Up

Refer to the figure below for tail light wiring diagram.

NOTE – The green and yellow wires connected to stop light terminals also operate turn signals.

Connect male half of tail light wiring harness to tow vehicle electrical system to match diagram below:



NOTE – Always check tail light, brake light, and turn signal operation each time sweeper is connected to towing vehicle.

NOTE – A tail light convertor module may be required to connect the sweeper lighting system to newer tow vehicles--order SWEEPSTER part number 07-1842 tail light convertor if necessary.

Installation

Mounting Brush Head

1. Position main frame assembly on a level area.
2. Turn key switch to "ON" position on control box.
3. Position engine and swing assembly in straight ahead position using "SWING" switch on control box.
4. Turn key switch to "OFF" position.
5. Slide brush head assembly under main frame, with cross tube of brush assembly to back, next to engine and swing assembly.
6. Raise back brush head cross tube until pivot tube plate on brush head lines up with swing assembly. Adjust brush head until square with front of swing frame and tighten bolts.
7. Pin the lift cylinder to the center ear on the brush head.
8. Connect spring on spring-chain assembly to right side ear next to lift cylinder. Run chain through notched hole in back plate of engine mounting frame.
9. Adjust brush pattern (brush contact) according to instructions in ADJUSTMENTS section of manual.
10. Install drive shaft between brush head input shaft and engine output shaft; tighten set screws securely. Install safety shield (if removed) to cover brush head input shaft.

Hydraulic Systems

Brush Drive

1. Open oil shut-off valve between pump suction and hydraulic oil tank.
2. Add Mobil DTE-25 hydraulic fluid or equivalent to oil tank. Oil level should be about 2" from the top of the tank.

NOTE – Do not use ATF in brush drive system--oil may overheat because of motor and pump slippage.



CAUTION – Pump may be damaged if shut-off valve is closed and engine is started.

Monarch Swing Lift

1. Add Dextron ATF (Automatic Transmission Fluid) as required to fill reservoir until fluid runs out filler elbow.

NOTE – Use ATF only in the Monarch Swing-Lift system

Operation

General Information

This unit is a power sweeper, not a bulldozer! Do not try to push materials as you would with a blade. For heavy material, reduce forward speed and make two or more passes, or remove heavy material first with a blade or bucket-loader.

Angle brush head fully left or right to sweep. Damage to sweeper or brush may occur if brush head is not angled fully left or right.

Brush Drive Hydraulic System

1. Open oil shut-off ball valve between pump suction inlet and hydraulic tank.
2. Check fluid level with sight gauge. Fluid should be about 2" below top of tank. Add MOBIL DTE 25 or equivalent hydraulic fluid as required.



CAUTION – Pump will be damaged if shut-off valve is closed and engine is started.

NOTE – For maximum performance and system life, do not use ATF in brush drive hydraulic system.

Controls

In-cab controls located on electric control box:

1. Engine Stop Start
2. Brush Speed
3. Brush Angle
4. Brush Lift
5. Sprinkler On-Off (Optional)

Engine Mounted Controls:

1. Throttle
2. Choke

Brush Speed

Always use the slowest speed that will do the job. Slower brush speeds will reduce flying debris and dust, and extends brush life under most conditions.

If excessive material is thrown forward toward tow vehicle, reduce brush speed.

Brush speed is controlled by engine speed and pump output (pump output is controlled by the "fast-slow" electric switch on the control box). Increase engine speed or pump output to increase brush speed. Decrease engine speed or pump output to reduce brush speed.

Required brush speeds will vary depending on sweeping conditions. For light sand, light gravel, or light snow, use slow brush speed. For heavy rock, mud, or other heavy material, a fast brush speed may be required.



CAUTION – Be aware of debris discharged by brush. Serious injury or property damage may result from flying debris.

Sweeping Conditions

When sweeping dusty material, sweep on a damp morning or on a day after it has rained when possible. Use the sprinkler system (optional) to help control dust.

NOTE – Optional sprinkler systems can be field installed on most sweepers equipped with Wisconsin engines.

Adjustment

Leveling Main Frame

2 Wheel Sweepers Only

Adjust hitch height up or down as required to level top of main frame front-to-rear. Hitch mounting bolts must be tight and secured with lock washers.



CAUTION – Use only grade 8 bolts, washers, and nuts for replacement in hitch.

Support Yokes

NOTE – For serial number 75146 and up only. Sweepers with serial numbers below 75146 do not have adjustable support yokes.

Adjust support yokes as follows:

1. Loosen two 5/8 carriage bolts in each support yoke (See figure 3).
2. Swing brush head assembly fully to right.
3. Snug right support yoke around brush head tube and tighten two 5/8 bolts.

4. Swing brush head assembly fully to left.
5. Snug left support yoke around brush head tube and tighten two 5/8 bolts.
6. Brush tube should fit snugly into support yokes when fully angled left or right.
7. Level brush head per instructions on page 16.

NOTE – Adjust support yokes up or down if brush head will not level per instructions on page 16.

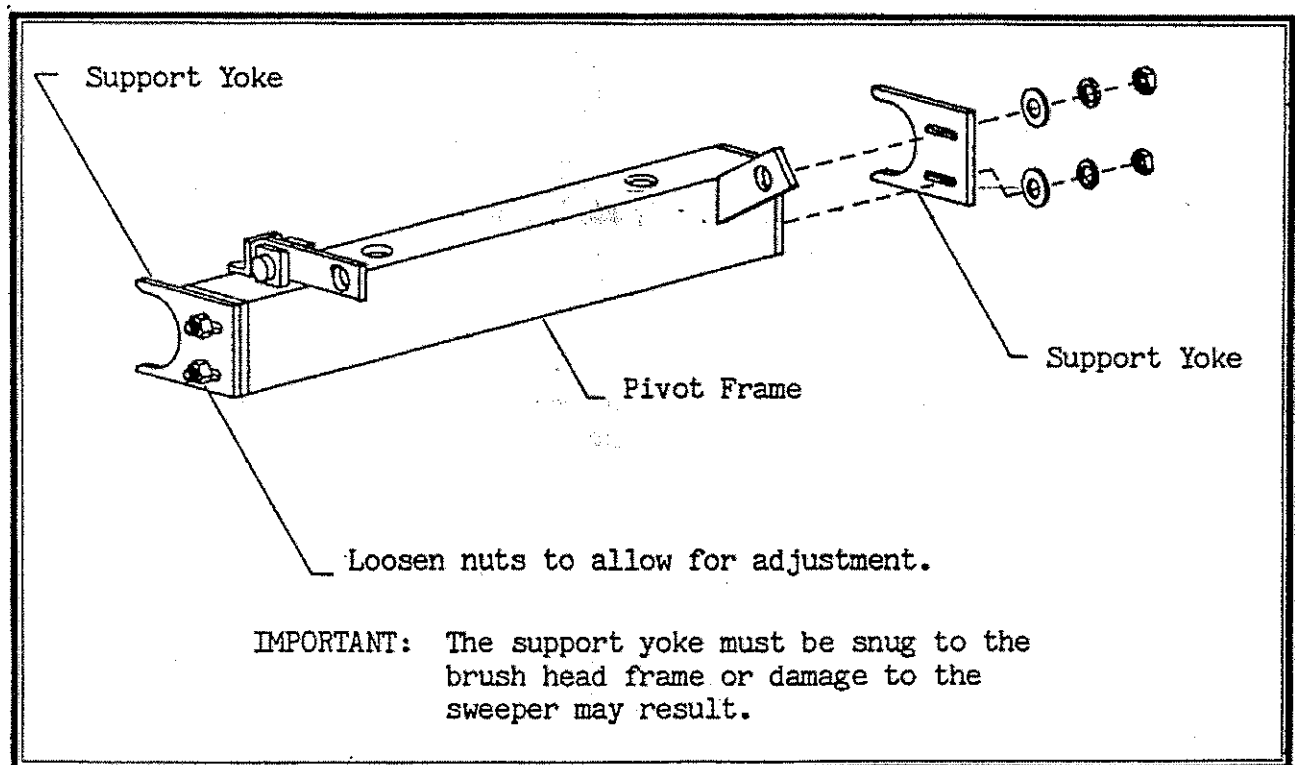


figure 3

Adjustment

Leveling Brush Head

Brush pattern (brush contact) should be the same all across the brush with the brush fully right or fully left. Check leveling of brush daily or when brush is replaced.

NOTE – On 2-wheel sweepers only, be sure hitch is properly adjusted and main frame is level front-to-rear before making this adjustment (See Leveling Main Frame page 15).

NOTE – Adjust support yokes before making this adjustment (See Support Yokes page 15).

NOTE – Park and secure sweeper on a level surface before leveling brush head.

NOTE – Refer to figures 4, 5, 6, 7, and 8 while leveling brush head.

1. Angle brush head to straight ahead position.
2. Raise brush 3 to 4 inches off the ground with lift cylinder.

3. Level-up brush head mounting plate with front of engine mounting frame and securely tighten all 5 bolts holding brush head to engine mounting plate.
4. Adjust bolt "C" (See figure 4) until each end of brush frame is the same height off ground.

NOTE – In steps 6-8 turn bolts "A" and "B" in or out an equal number of turns.

6. Angle brush head fully right. Measure distance from ground to bottom front corner of brush head frame side angle. Check this measurement on both right and left sides, record measurements.
7. Angle brush head fully left and check same measurements as in step six. Record measurements.
8. Compare measurements from steps 6 and 7 with figures 5, 6, 7, and 8 adjust leveling as required.
9. Repeat steps 6-8 as required to level brush head.

NOTE – See Examples of Leveling Brush Head page 17.

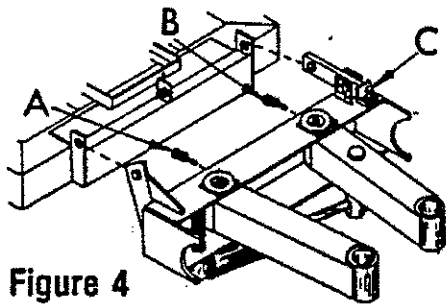
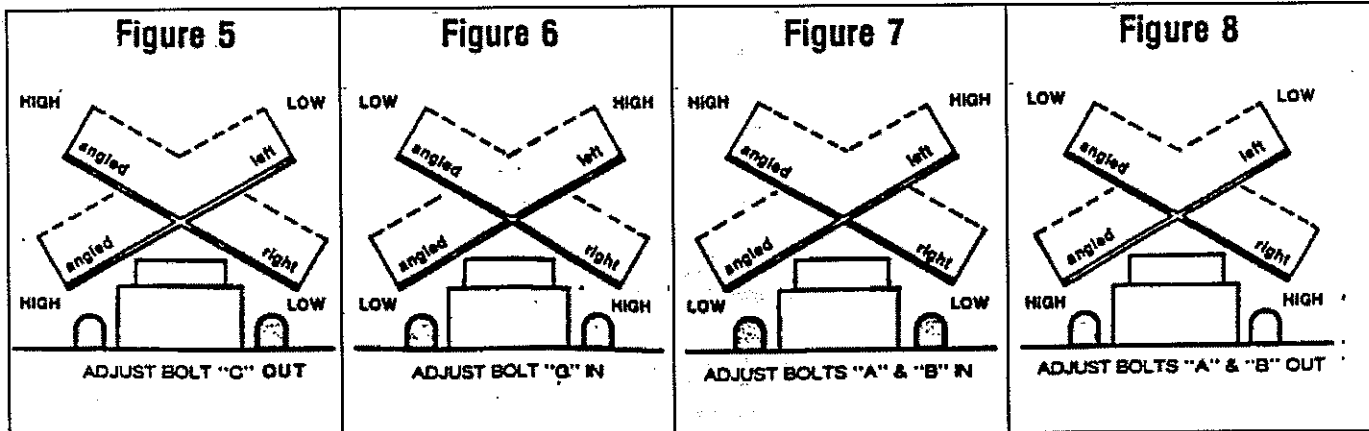


Figure 4



Adjustment

Examples of Leveling Brush Head

Example 1

(See figure 9 and 4, 5, 6, and 7)

Angled fully right, left side of brush head frame side angle was $19\frac{1}{2}''$ and right side was $18''$. Then angled fully left, left side was $19\frac{1}{4}''$ and right side was $20''$. Per figure 7, adjust bolts "A" and "B" in.

Always turn bolts "A" and "B" equally, each time.

$\frac{1}{2}$ turn is approximately $\frac{1}{8}''$ in measurement on brush head frame side.

Recheck measurements and repeat adjustments per examples 1 or 2 as required.

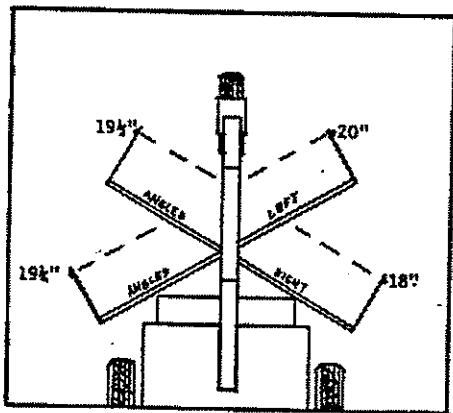


Figure 9

Example 2

(See figure 10 and 4, 5, 6, and 7)

Angled fully right, left side of brush head frame side angle was $19\frac{1}{2}''$ and right side was $21''$. Then, angled fully left, left side was $19\frac{1}{2}''$ and right side was $20\frac{1}{2}''$. Per figure 6, adjust bolt "C" in.

Recheck measurement and repeat adjustments per examples 1 or 2 as required.

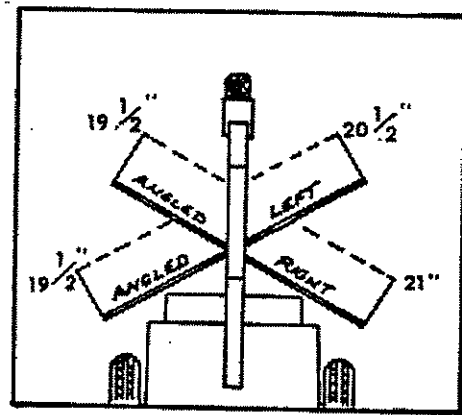


Figure 10

Adjustment

Brush Pattern

Brush pattern (brush contact) is the front-to-rear distance cleaned on the ground when brush is running and sweeper is standing still (see figure 11).

Adjust brush pattern with the spring-chain assembly (located under engine).

To increase brush pattern, lengthen chain.

To decrease brush pattern, shorten chain.

As brush wears, lengthen chain to maintain correct brush pattern.

Brush pattern must be the same width at both ends to prevent brush from wearing cone shaped. If brush pattern is not the same at both ends (with a new brush installed), level the brush head per Leveling Brush Head on page 16.

Checking Brush Pattern

1. Move sweeper onto a level surface covered with sand or light gravel.
2. Start sweeper and set brush to a medium brush speed.
3. Lower brush onto sweeping surface. Run brush in place for 5 to 10 seconds in lowered position. Raise brush.
4. Move sweeper away and inspect clean area left by rotating brush. There should be an even strip 2 to 4 inches wide. If brush pattern is not even or is too wide or narrow, adjust as follows:

A. Brush pattern even, but too narrow: Lengthen chain on the spring-chain assembly.

B. Brush pattern even but too wide: Shorten chain on spring-chain assembly.

C. Brush pattern not even (wider at one end than the other): Level brush per Leveling Brush

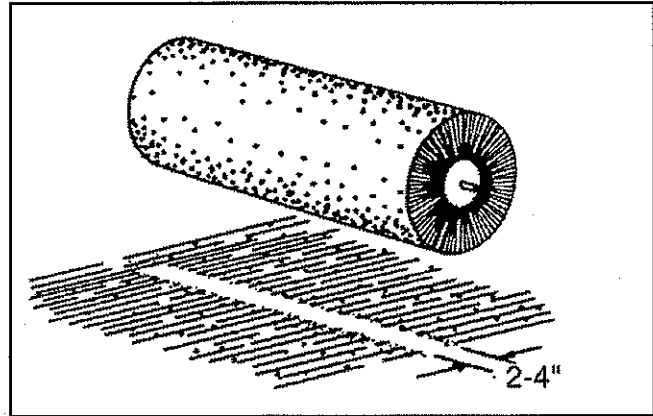


figure 11

Spring-Chain Assembly

Spring-chain assembly is located next to brush head lift cylinder.



CAUTION – Stop engine and remove key before adjusting spring-chain assembly.

1. Adjust the spring-chain assembly so the tips of the bristles just touch the ground, for maximum life.
2. For more effective sweeping, adjust the spring-chain assembly so brush sweeps a 2 to 4 inch front-to-rear strip.
3. In heavy sweeping, brush may tend to pull itself down, causing excessive brush wear. Adjust transport chain to limit the amount of spring stretch to give a 2 to 4 inch front-to-rear strip.

Adjustment

Transport Chain

Transport chain is located next to brush head lift cylinder.



CAUTION – Brush head weight could damage lift cylinder during transport if transport chain is not used.



CAUTION – Stop engine and remove key before adjusting transport chain.

For Transport or Storage:

1. Raise brush head assembly with lift cylinder. Stop engine.
2. Pull transport chain tight and place in chain holder.
3. Lower brush head assembly so weight is supported by transport chain.

For Sweeping

1. Adjust spring-chain assembly so brush bristles just touch ground.
2. Adjust transport chain so spring stretches no more than 2 1/2" when brush is engaged and operating.

Maintenance

Brush Section Replacement

Position sweeper on a level surface. Place blocks in front and behind tires to prevent sweeper from rolling or secure hitch and set brakes on tow vehicle.

1. Connect transport chain so brush bristles are about 2 to 3 inches off the ground.
2. Clean hydraulic fittings and motor fitting area to prevent hydraulic system contamination.
3. Disconnect two 1/2" and one 1/4" hoses at hydraulic motors on each end.

NOTE – Prevent hydraulic system contamination: Cap-off or tape over hydraulic hose ends and motor ports.

4. Remove four brush hood mounting bolts and set hood aside.
5. Remove two carriage bolts holding each motor housing to brush frame.
6. Slide brush assembly out of brush head frame.
7. Stand brush assembly up on end with blocks under bottom end to prevent hydraulic motor from hitting the ground.
8. Remove four socket head bolts in top end ring and remove ring.
9. Remove old sections from the core.
10. Fill core with new sections (per instructions included with new sections).
11. With new sections installed, replace end ring and secure with four socket head bolts.
12. Lay brush head assembly on side and slide back into brush head frame.

13. Replace two bolts in each motor housing (only finger tighten bolts at this time).
14. Measure distance from back of brush head frame to motor housing on both sides. Slide motor housings forward or back until measurements are equal.
15. Pull out on the motor housing (to the sides away from the brush) to prevent core from shifting from side to side and tighten mounting bolts.
16. Replace brush hood and four mounting bolts.
17. Level brush head.
18. Adjust brush pattern.
19. Refill hydraulic oil tank with MOBIL DTE 25 hydraulic fluid as required. Oil level should be about 2" from the top.

Maintenance

Motor and Hub Replacement

1. Follow steps 1-6 under Brush Section Replacement, page 20.
2. Remove the four socket head bolts in core end ring and remove ring.
3. Remove only enough sections to expose hydraulic drive motor and core hub. Do not remove all the sections from the core.
4. Remove hairpin clip, nut, and washer from motor shaft. Slide motor and housing out. Be careful to not lose the shaft key.
5. Replace core hub if keyway is worn, hub is cracked or wallowed-out, or if threads are stripped.
6. Place new motor (if required) into motor housing. Align key in motor shaft with hub keyway and slide motor into position. Place flat washer and nut on motor shaft and tighten. Replace hairpin clip.
7. Replace brush sections.
8. Replace end ring and four socket head bolts.
9. Follow steps 12-19 under Brush Section Replacement, page 20 for remaining assembly.

Hydraulic Swing Lift Unit

A MONARCH brand electric-hydraulic power unit provides hydraulic power for lifting and angling brush head assembly.

Refer to the separate Monarch manual for maintenance, service, and troubleshooting of the Monarch power unit.

Lubrication

Axles – Front and Rear

Axles are prelubricated at the factory. Check and/or repack axle bearings and hubs as required with high temperature wheel bearing grease.

Grease Zerks

Grease all grease fittings with a SAE multi-purpose grease per figures 12, 13, 14, and 15.

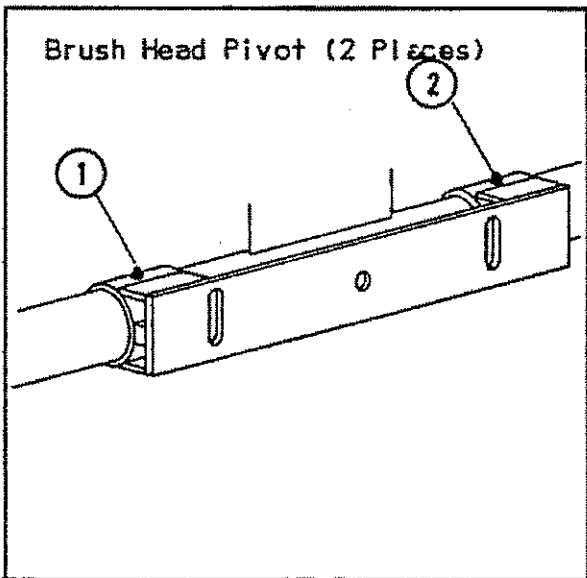


figure 12

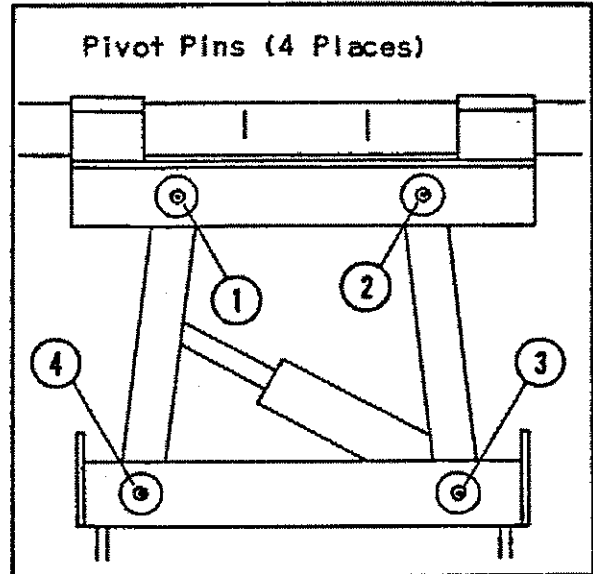


figure 13

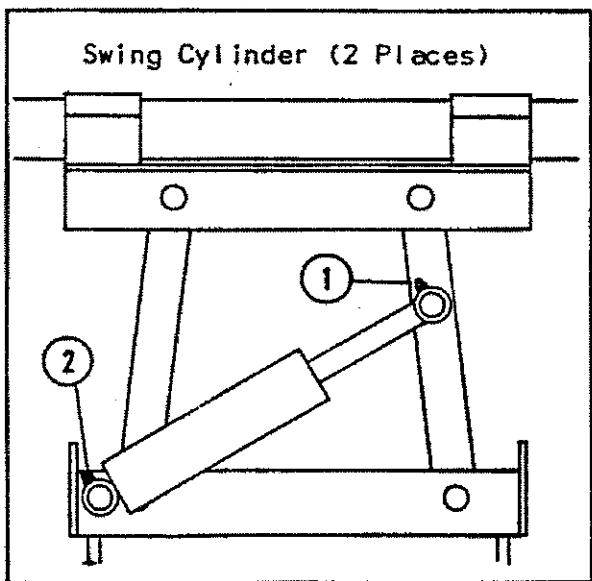


figure 14

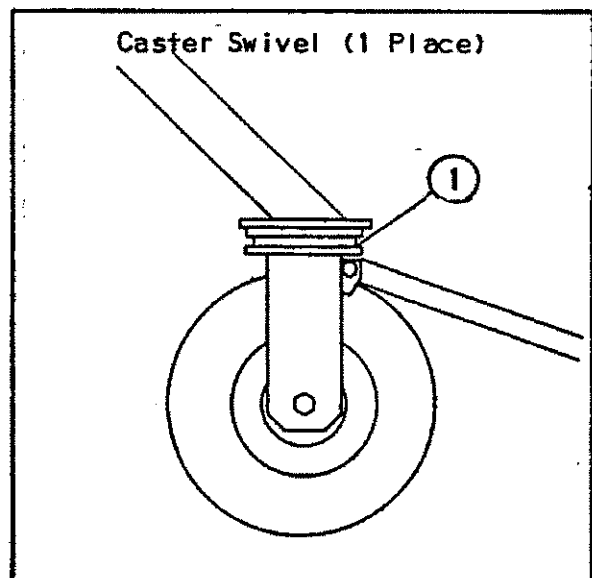


figure 15

Maintenance

Maintenance Schedule

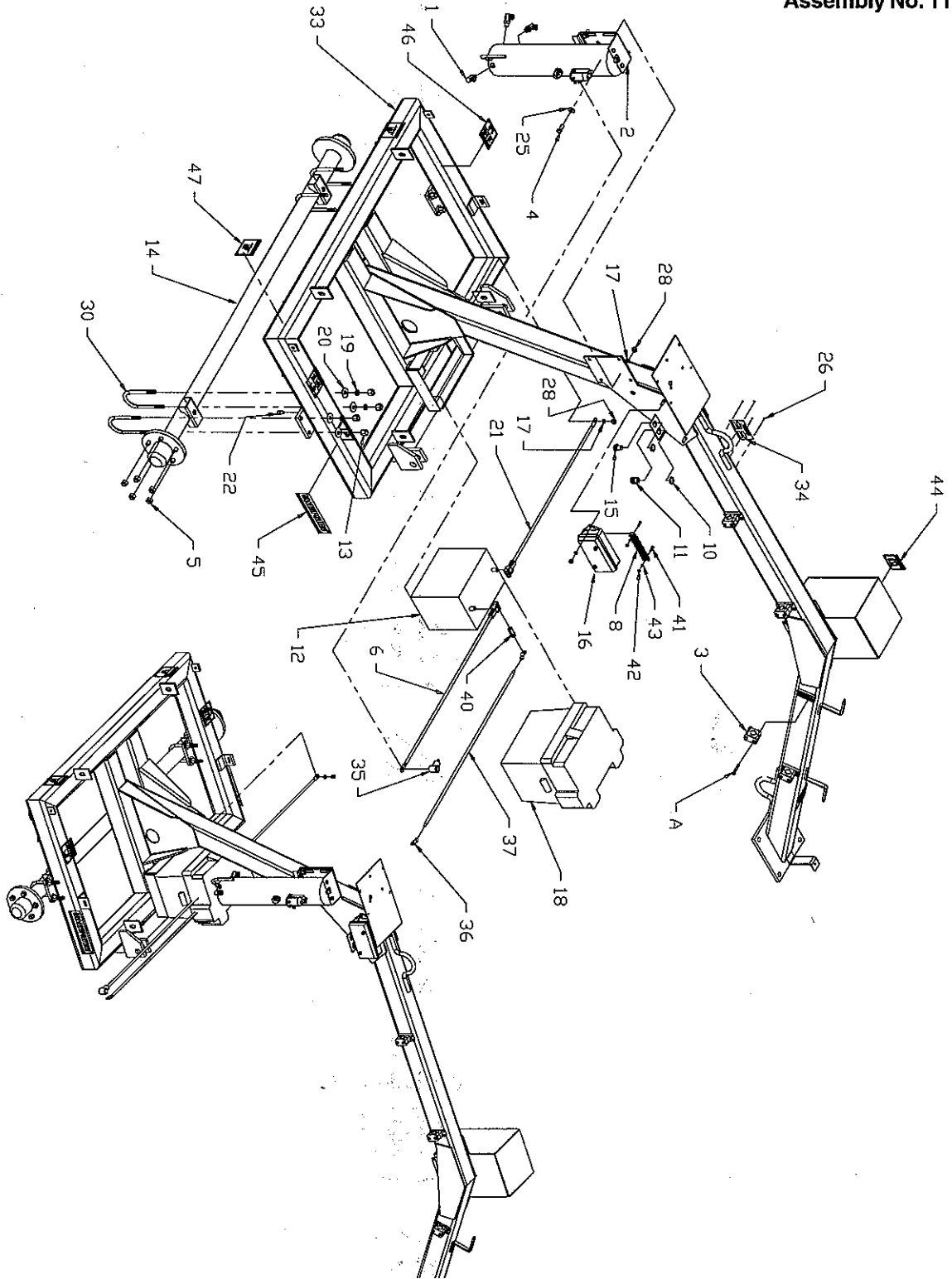
| | Daily | Weekly 50 hrs | 100 hrs | Yearly 100 hrs | See Engine Manual |
|--|-------|------------------|---------|-------------------|----------------------|
| Check Hydraulic Oil Level | ✓ | | | | |
| Lubricate All Grease Zerk | ✓ | | | | |
| Check Brush Pattern | ✓ | | | | |
| Check Lights For Proper Operation | ✓ | | | | |
| Level Brush Head Assembly | ✓ | | | | |
| Inspect Hitch And Hitch Hardware | ✓ | | | | |
| Inspect Hitch Safety Chains | ✓ | | | | |
| Clean Safety Decals – Replace As Required | ✓ | | | | |
| Clean Optional Sprinkler System Filter | | ✓ | | | |
| Check Battery Electrolyte Level | | ✓ | | | |
| Check Tire Air Pressure | | ✓ | | | |
| Tighten Bolts And Hardware | | ✓ | | | |
| Check And Tighten Hydraulic Fittings And Hoses | | ✓ | | | |
| Change Hydraulic System Filter | | | ✓ | | |
| Change Hydraulic Oil | | | | ✓ | |
| Check Engine Crankcase Oil Level | | | | | ✓ |
| Clean Or Replace Air Cleaner | | | | | ✓ |
| Change Engine Crankcase Oil | | | | | ✓ |
| Clean Engine Fuel Sediment Bowl | | | | | ✓ |

Carrier Assembly (3 and 4 Wheel)

| Ref | Part | Qty | Description |
|-----|---------|------|---|
| 1. | 03-0045 | 3 | Fitting, Elbow, HP, 90°, 1/4MP, 1/4FPS |
| 2. | 03-0371 | 1 | System, Hydraulic, Monarch, 12Volt |
| 3. | 03-3983 | 4 | Assembly, Parklamp, 1/2 Hose, W/Clamp |
| 4. | 07-0018 | 3 | Screw, Cap, 3/8-16 x 1 |
| 5. | 07-0144 | 10 | Nut, Lug, 1/2-20 |
| 6. | 07-0819 | 1 | Cable, Battery, 4 x 32, 3/8 Eye |
| 7. | 07-0820 | 1 | Cable, Battery, 4 Gauge x 60 |
| 8. | 07-0836 | 1 | Terminal, Block, 12 Post |
| 9. | 07-0841 | 1 | Wire, Cord, 16 Gauge |
| 10. | 07-0856 | 2 | Nut, Lock, 1/2, F/Strain Relief |
| 11. | 07-0857 | 1 | Strain, Relief, 1/2 |
| 12. | 07-0871 | 1 | Battery |
| 13. | 07-1093 | 8 | Nut, Hex, 1/2-20 |
| 14. | 07-1353 | 1 | Axle, Assembly, Rear |
| 15. | 07-1427 | 1 | Strain, Relief, 1/2, WHT |
| 16. | 07-1629 | 1 | Box, Electric, Junction |
| 17. | 07-1718 | 4 | Washer, Lock, Split, 3/8 |
| 18. | 07-1757 | 1 | Box, Battery, Plastic |
| 19. | 07-1762 | 8 | Washer, Lock, Split, 1/2 |
| 20. | 07-1763 | 8 | Washer, Flat, 1/2 |
| 21. | 07-5142 | 1 | Cable, Battery, 4 x 27 |
| 22. | 07-2480 | 2 | Screw, Socket Head, 3/8-16 x 1/2 |
| 24. | 07-3176 | 1 | Cable, Battery, 4 x 20 |
| 25. | 07-3279 | 3 | Washer, Flat, 3/8 |
| 26. | 07-3624 | 4 | Tack, Metal, 31 Series |
| 28. | 07-3654 | 4 | Nut, Hex, 3/8-16 |
| 30. | 07-5158 | 4 | U-Bolt, 1/2-20 x 5 1/2 x 2 7/16 |
| 33. | 11-7129 | 1 | Weld, Frame, Main, P, 3 or 4Wheel |
| 34. | 50-0004 | 1 | Label, Plate, Serial Number |
| 35. | 07-5715 | 1 | Boot, Red, #2/#8 |
| 36. | 07-2022 | 2 | Terminal, Ring, 3/8, 4 Gauge |
| 37. | 07-2171 | 7 ft | Cable, Battery, #4 |
| 38. | 07-3273 | 2 | Washer, Lock, Split, 5/16 |
| 39. | 07-3278 | 2 | Nut, Hex, 5/16-18 |
| 40. | 07-5259 | 1 | Extender, Battery, Bolt, 5/16-18 |
| 41. | 07-1904 | 2 | Screw, Round Head, Phillips, 8-32 x 3/4 |
| 42. | 07-1906 | 2 | Nut, Hex, 8-32 |
| 43. | 07-1907 | 2 | Washer, Lock, 8 |
| 44. | 50-0574 | 1 | Lable, Warning, Read, Manual |
| 45. | 50-0186 | 2 | Label, Logo, Sweepster |
| 46. | 50-0575 | 2 | Label, Warning, Fenders |
| 47. | 50-0576 | 3 | Label, Tie Down Point |
| A. | 07-3640 | 4 | Screw, Cap, 1/4-20 x 1 3/4 |

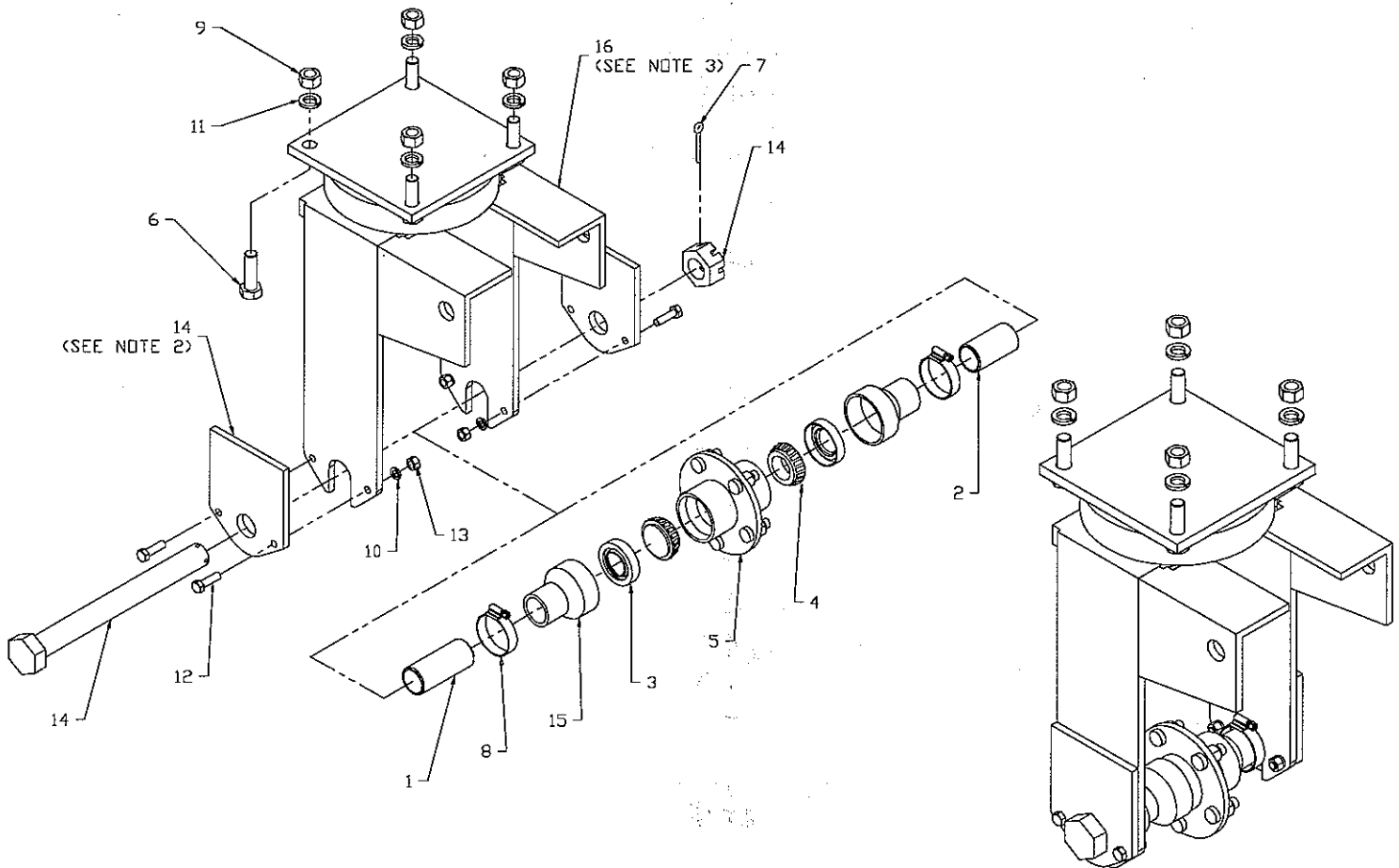
Carrier Assembly (3 and 4 Wheel)

Assembly No. 11-4244



Caster (3 Wheel Assembly)

Assembly No. 11-4442



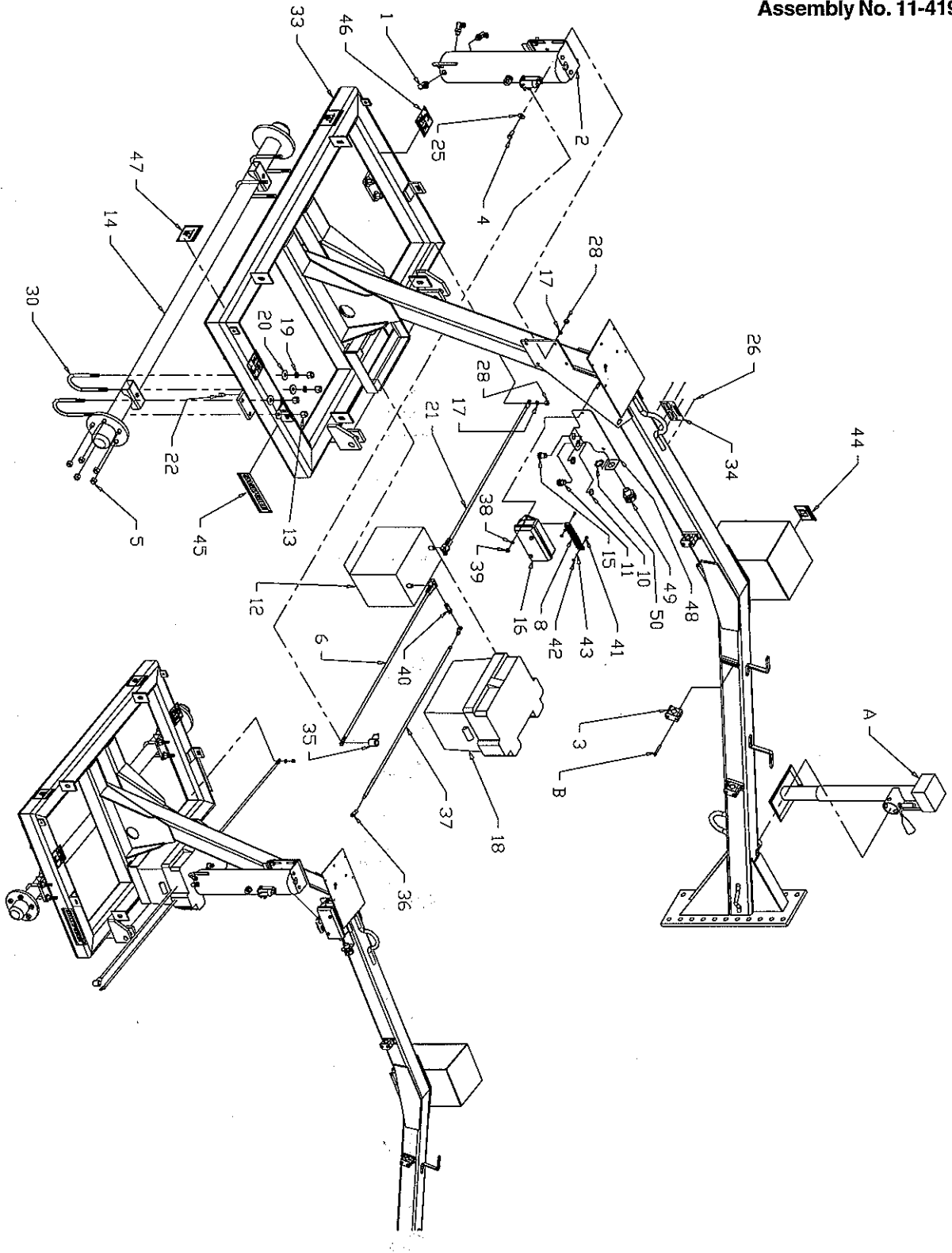
| Ref | Part | Qty | Description |
|-----|----------|-----|--|
| 1. | 05-0534A | 1 | Spacer, 3 1/2, Caster |
| 2. | 05-0534B | 1 | Spacer, 2.70, Caster |
| 3. | 05-0535 | 2 | Seal, Oil |
| 4. | 05-0536 | 2 | Bearing |
| 5. | 05-0538 | 1 | Hub, Caster, Tow, Front, W/Cups & Hardware |
| 6. | 07-0066 | 4 | Screw, Cap, 5/8-11 x 2 |
| 7. | 07-0206 | 1 | Pin, Cotter, 3/16 x 2 |
| 8. | 07-1188 | 2 | Clamp, Screw, 1 5/16-2 1/4 |
| 9. | 07-1294 | 4 | Nut, Hex, 5/8-11 |
| 10. | 07-1718 | 4 | Washer, Lock, Split, 3/8 |
| 11. | 07-1872 | 4 | Washer, Lock, Split, 5/8 |
| 12. | 07-2116 | 4 | Screw, Cap, 3/8-16 x 1 1/4 |
| 13. | 07-3654 | 4 | Nut, Hex, 3/8-16 |
| 14. | 07-4391 | 1 | Kit, Mounting, F/Swivel, W/O Spacers |
| 15. | 09-0039 | 2 | Shield, Dirt, Caster |
| 16. | 11-1539 | 1 | Weld, Frame, Caster, Mounting, Single |

Carrier Assembly (2 Wheel)

| Ref | Part | Qty | Description |
|-----|----------|------|--|
| 1. | 03-0045 | 3 | Fitting, Elbow, HP, 90°, 1/4MP, 1/4FPS |
| 2. | 03-0371 | 1 | System, Hydraulic, Monarch, 12Volt |
| 3. | 03-3983 | 3 | Assembly, Parklamp, 1/2 Hose, W/Clamp |
| 4. | 07-0018 | 3 | Screw, Cap, 3/8-16 x 1 |
| 5. | 07-0144 | 10 | Nut, Lug, 1/2-20 |
| 6. | 07-0819 | 1 | Cable, Battery, 4 x 32, 3/8 Eye/Standard |
| 8. | 07-0836 | 1 | Terminal, Block, 12 Post |
| 10. | 07-0856 | 2 | Nut, Lock, 1/2, F/Strain Relief |
| 11. | 07-0857 | 1 | Strain, Relief, 1/2 BRN, 16/12 |
| 12. | 07-0871 | 1 | Battery, 24-3, 425CCA, 80 Reserve |
| 13. | 07-1093 | 8 | Nut, Hex, 1/2-20 |
| 14. | 07-1353 | 1 | Axle, Assembly, Rear |
| 15. | 07-1427 | 1 | Strain, Relief, 1/2 |
| 16. | 07-1629 | 1 | Box, Electric, Junction, Block |
| 17. | 07-1718 | 4 | Washer, Lock, Split, 3/8 |
| 18. | 07-1757 | 1 | Box, Battery, Plastic |
| 19. | 07-1762 | 8 | Washer, Lock, Split, 1/2 |
| 20. | 07-1763 | 8 | Washer, Flat, 1/2 |
| 21. | 07-5142 | 1 | Cable, Battery, 4 x 27, 3/8 Eye & Post |
| 22. | 07-2480 | 2 | Screw, Socket Head, 3/8-16 x 1/2 |
| 25. | 07-3279 | 3 | Washer, Flat, 3/8 |
| 26. | 07-3624 | 4 | Tack, Metal |
| 28. | 07-3654 | 4 | Nut, Hex, 3/8-16 |
| 30. | 07-5158 | 4 | U-Bolt, 1/2-20 x 5 1/2 x 2 7/16 |
| 33. | 11-2573 | 1 | Weld, Frame, Main, 2 Wheel |
| 34. | 50-0004 | 1 | Label, Plate, Serial, Number |
| 35. | 07-5715 | 1 | Boot, Red, #2/#8 |
| 36. | 07-2022 | 2 | Terminal, Ring, 3/8 |
| 37. | 07-2171 | 7 ft | Cable, Battery |
| 38. | 07-3273 | 2 | Washer, Lock, Split, 5/16 |
| 39. | 07-3278 | 2 | Nut, Hex, 5/16-18 |
| 40. | 07-5259 | 1 | Extender, Battery, Bolt, 5/16-18 |
| 41. | 07-1904 | 2 | Screw, Round Head, Phillips, 8-32 x 3/4 |
| 42. | 07-1906 | 2 | Nut, Hex, 8-32 |
| 43. | 07-1907 | 2 | Washer, Lock, 8 |
| 44. | 50-0574 | 1 | Label, Warning, Read Manual |
| 45. | 50-0186 | 2 | Label, Logo, Sweepster |
| 46. | 50-0575 | 2 | Label, Warning, Fenders |
| 47. | 50-0576 | 3 | Label, Tie Down Point |
| 48. | 13-11807 | 1 | Plate, Mounting, Cable, Bracket |
| 49. | 07-1477 | 1 | Strain, Relief, 3/4, Water Tight |
| 50. | 07-2245 | 1 | Strain, Relief Nut, 3/4 |

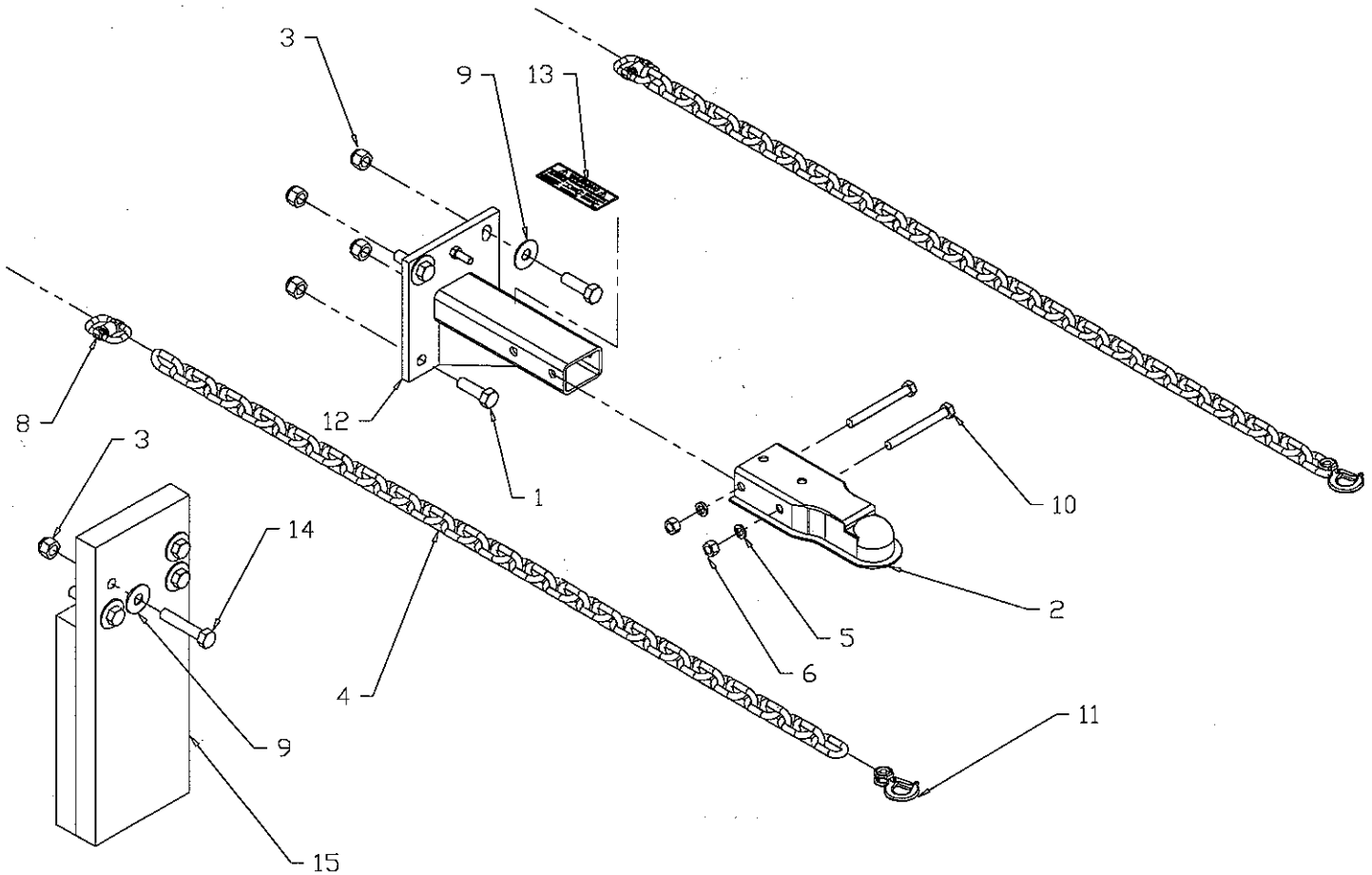
Carrier Assembly (2 Wheel)

Assembly No. 11-4198



Hitch Assembly

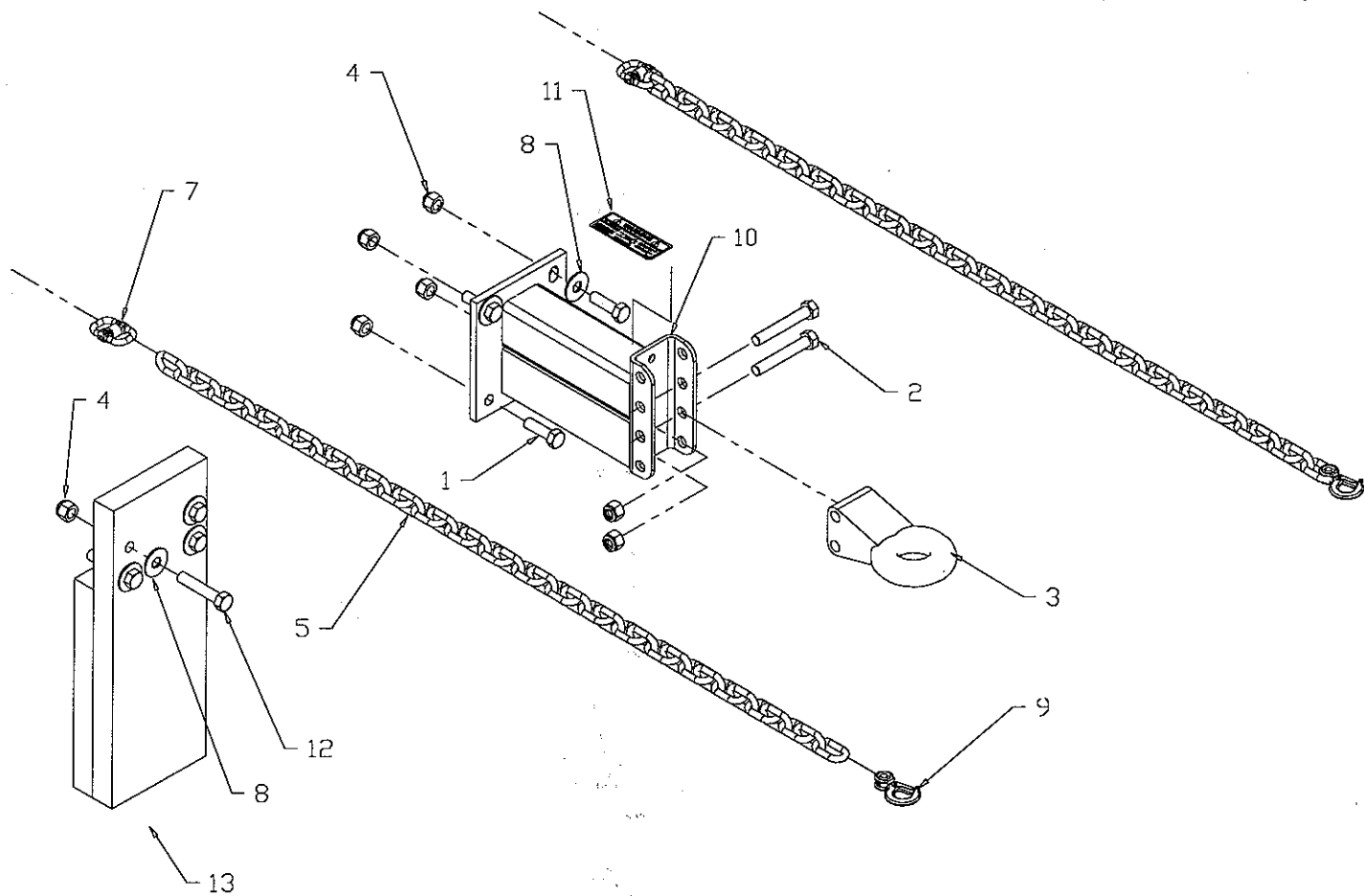
Assembly No. 28-1512
(2 Wheel 2" Ball)



| Ref | Part | Qty | Description |
|-----|---------|-----|--|
| 1. | 07-5169 | 4 | Screw, Cap, M16-2 x 50 |
| 2. | 07-0363 | 1 | Hitch, Ball, 2 |
| 3. | 07-4532 | 8 | Nut, Hex, Lock, M16-2 |
| 4. | 07-1604 | 2 | Chain, 3/8, 40 Links |
| 5. | 07-1762 | 2 | Washer, Lock, Split, 1/2 |
| 6. | 07-1764 | 2 | Nut, Hex, 1/2-13 |
| 8. | 07-2032 | 2 | Clevis, Double Link, 9/32 |
| 9. | 07-5172 | 6 | Washer, Flat, M16 |
| 10. | 07-3675 | 2 | Screw, Cap, 1/2-13 x 4 1/2 |
| 11. | 07-4815 | 2 | Hook, Split, W/3/8 Clevis & Latch, F/Safety Chains |
| 12. | 11-6872 | 1 | Weld, Mounting, Hitch, F/Pintel/Ball Insert |
| 13. | 50-0042 | 1 | Label, Warning, Hitch |
| 14. | 07-5170 | 4 | Screw, Cap, M16-2 x 80 |
| 15. | 10-0278 | 1 | Stand, Tow Behinds |

Hitch Assembly

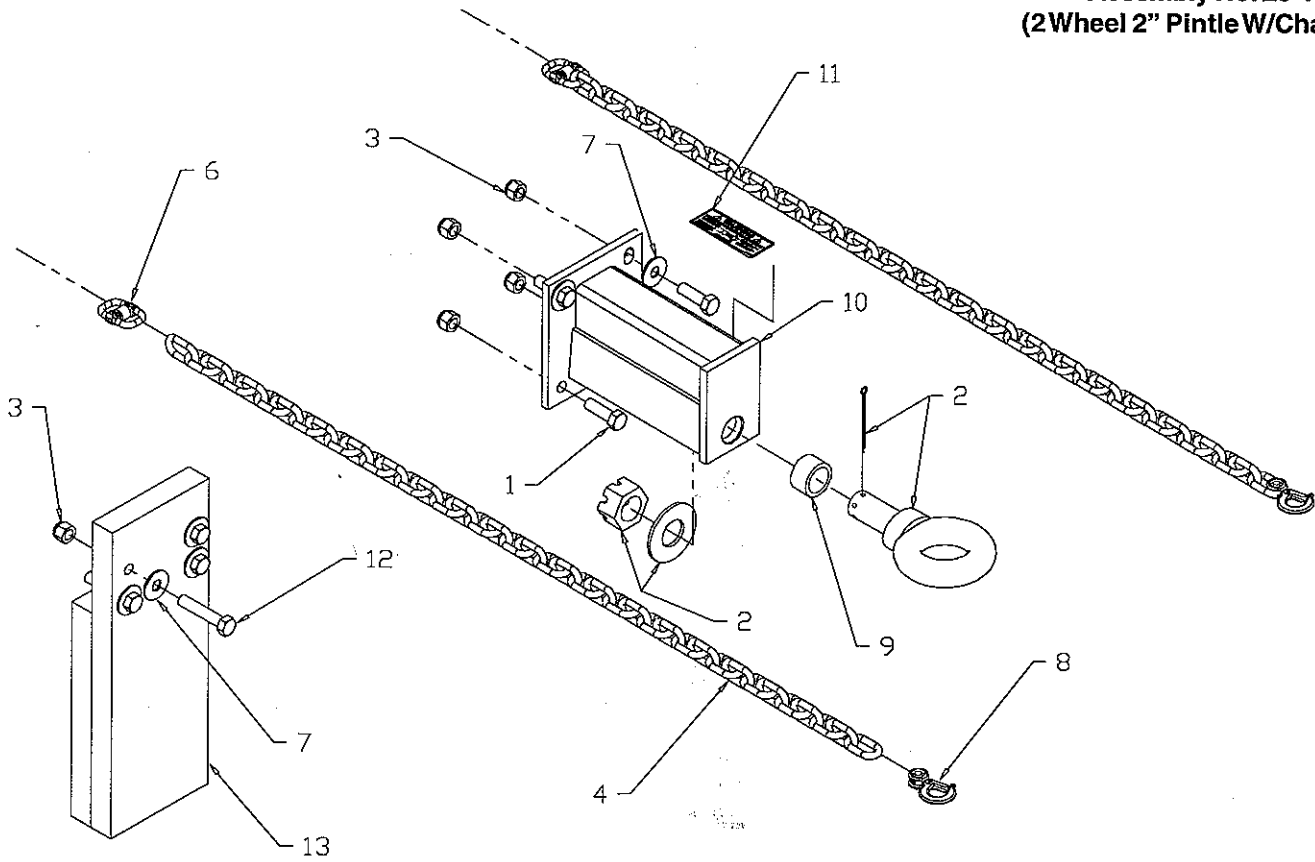
Assembly No. 28-1509
(2 Wheel 3" Pintle)



| Ref | Part | Qty | Description |
|-----|---------|-----|---|
| 1. | 07-5169 | 4 | Screw, Cap, M16-2 x 50mm |
| 2. | 07-5173 | 2 | Screw, Cap, M16-2 x 120mm |
| 3. | 07-1035 | 1 | Eye, Pintle, 3, Bolt-On |
| 4. | 07-4532 | 10 | Nut, Hex, Lock, M16-2 |
| 5. | 07-1604 | 2 | Chain, 3/8, 40 Links |
| 7. | 07-2032 | 2 | Clevis, Double Link, 9/32 |
| 8. | 07-5172 | 6 | Washer, Flat, M16 |
| 9. | 07-4815 | 2 | Hook, Split, W/3/8 Clevis & Latch |
| 10. | 11-3016 | 1 | Weld, Hitch, Mounting, F/Bolt-On Pintle |
| 11. | 50-0042 | 1 | Label, Warning, Hitch |
| 12. | 07-5170 | 4 | Screw, Cap, M16-2 x 80mm |
| 13. | 10-0278 | 1 | Stand |

Hitch Assembly

Assembly No. 28-1510
(2 Wheel 2" Pintle W/Chain)

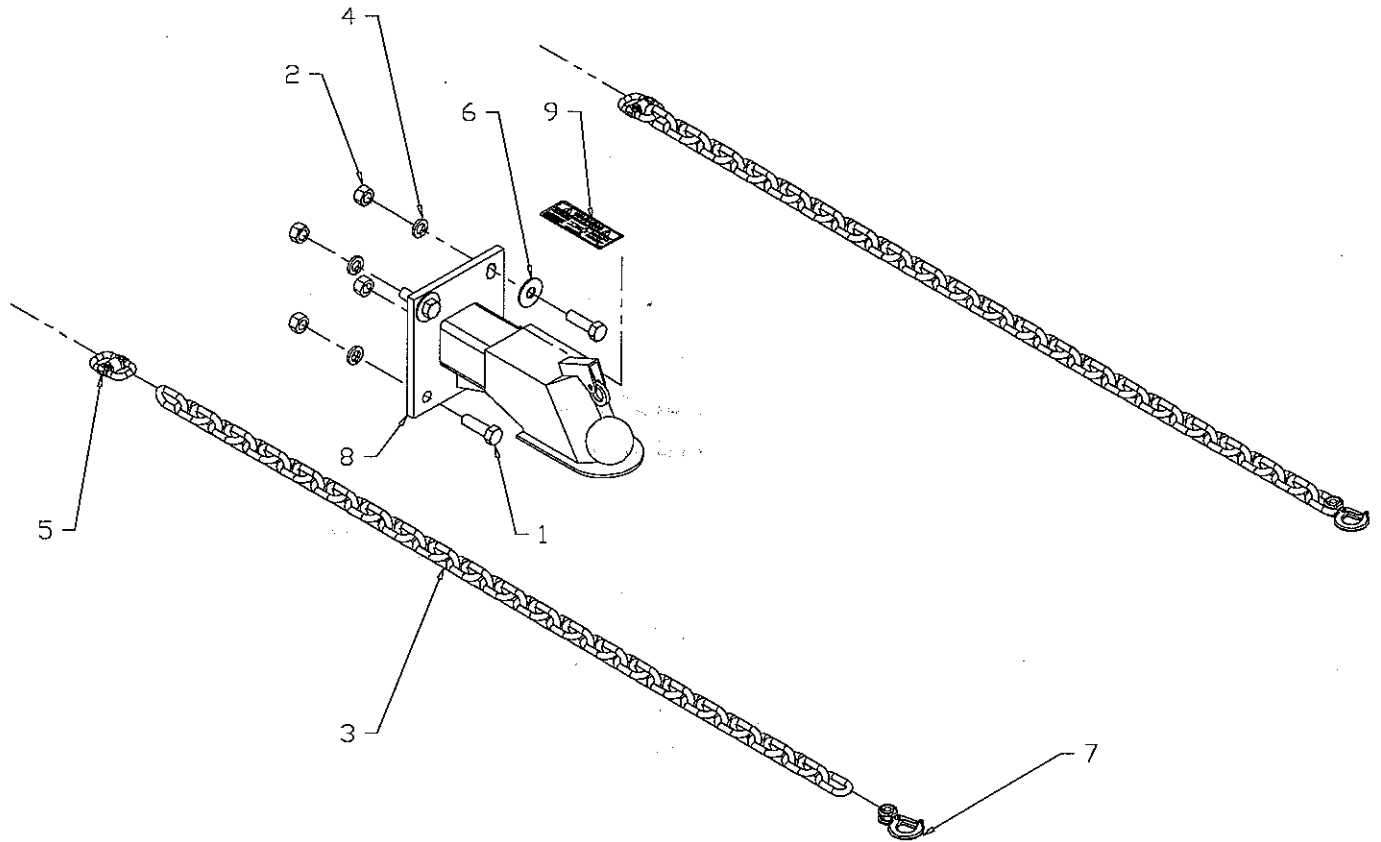


| Ref | Part | Qty | Description |
|-----|------|-----|-------------|
|-----|------|-----|-------------|

| | | | |
|-----|---------|---|--|
| 1. | 07-5169 | 4 | Screw, Cap, M16-2x50mm |
| 2. | 07-1027 | 1 | Eye, Pintle, 2 1/2, I-Bolt |
| 3. | 07-4532 | 8 | Nut, Hex, Lock, M16-2 |
| 4. | 07-1604 | 2 | Chain, 3/8, 40 Links |
| 6. | 07-2032 | 2 | Clevis, Double Link, 9/32 |
| 7. | 07-5172 | 6 | Washer, Flat, M16 |
| 8. | 07-4815 | 2 | Hook, Split, W/3/8 Clevis & Latch |
| 9. | 13-1684 | 1 | Bushing, 2 x 1.505 x 1.12 |
| 10. | 13-2606 | 1 | Weld, Mounting, Hitch, F/I-Bolt Pintle |
| 11. | 50-0042 | 1 | Label, Warning, Hitch |
| 12. | 07-5170 | 4 | Screw, Cap, M16-2x80mm |
| 13. | 10-0278 | 1 | Stand |

Hitch Assembly

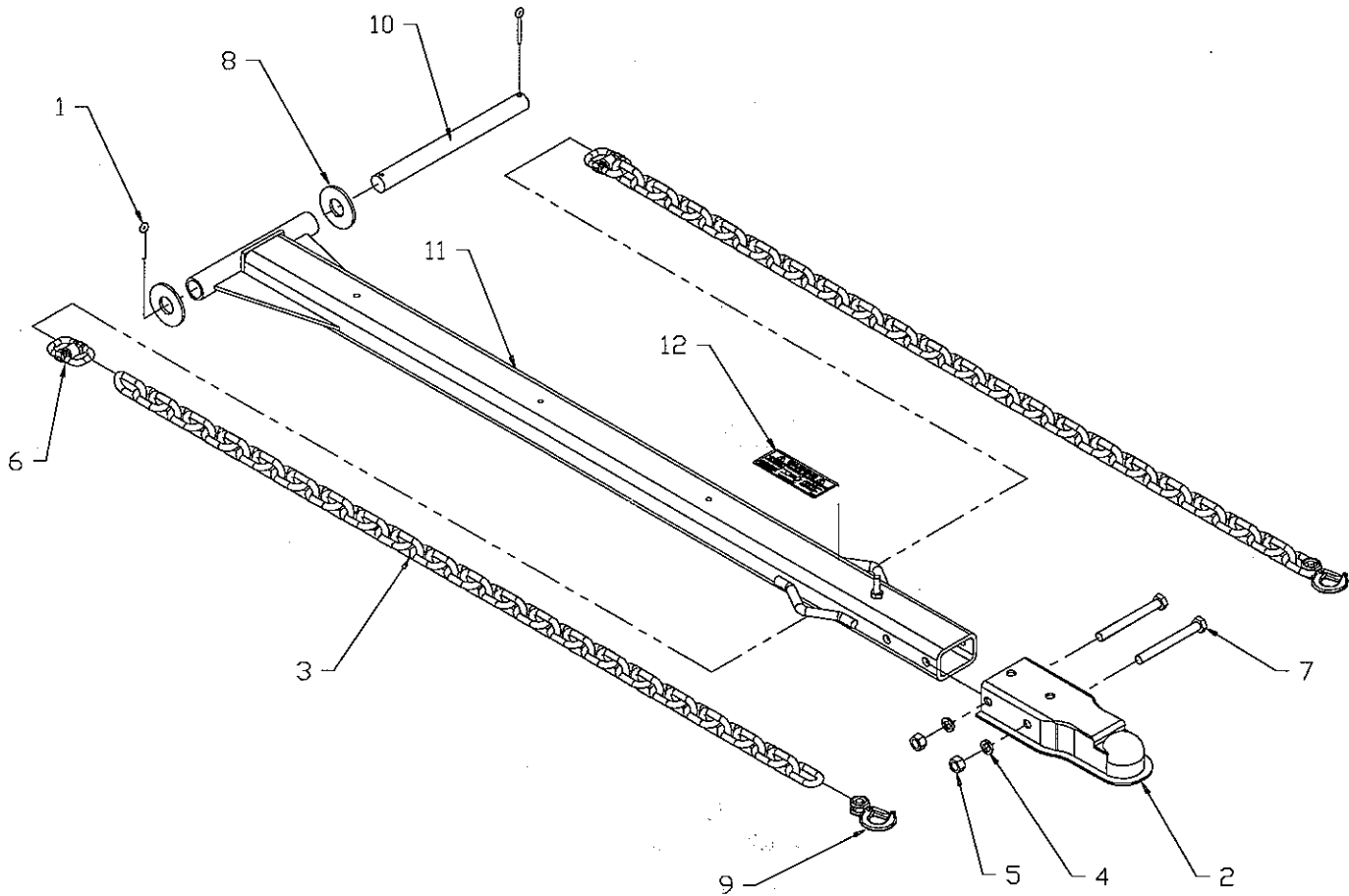
Assembly No. 28-1513
(2 Wheel 2 5/16" Ball)



| Ref | Part | Qty | Description |
|-----|---------|-----|-------------------------------------|
| 1. | 07-0066 | 4 | Screw, Cap, 5/8-11 x 2 |
| 2. | 07-1294 | 4 | Nut, Hex, 5/8-11 |
| 3. | 07-1604 | 2 | Chain, 3/8, 40 Links |
| 4. | 07-1872 | 4 | Washer, Lock, Split, 5/8 |
| 5. | 07-2032 | 2 | Clevis, Double Link, 9/32 |
| 6. | 07-3120 | 2 | Washer, Flat, 5/8 |
| 7. | 07-4815 | 2 | Hook, Split, W/3/8 Clevis & Latch |
| 8. | 11-2877 | 1 | Weld, Mounting, Hitch, Ball, 2 5/16 |
| 9. | 50-0042 | 1 | Label, Warning, Hitch |

Hitch Assembly

Assembly No. 28-1504
(3 or 4 Wheel 2" Ball W/Pin)

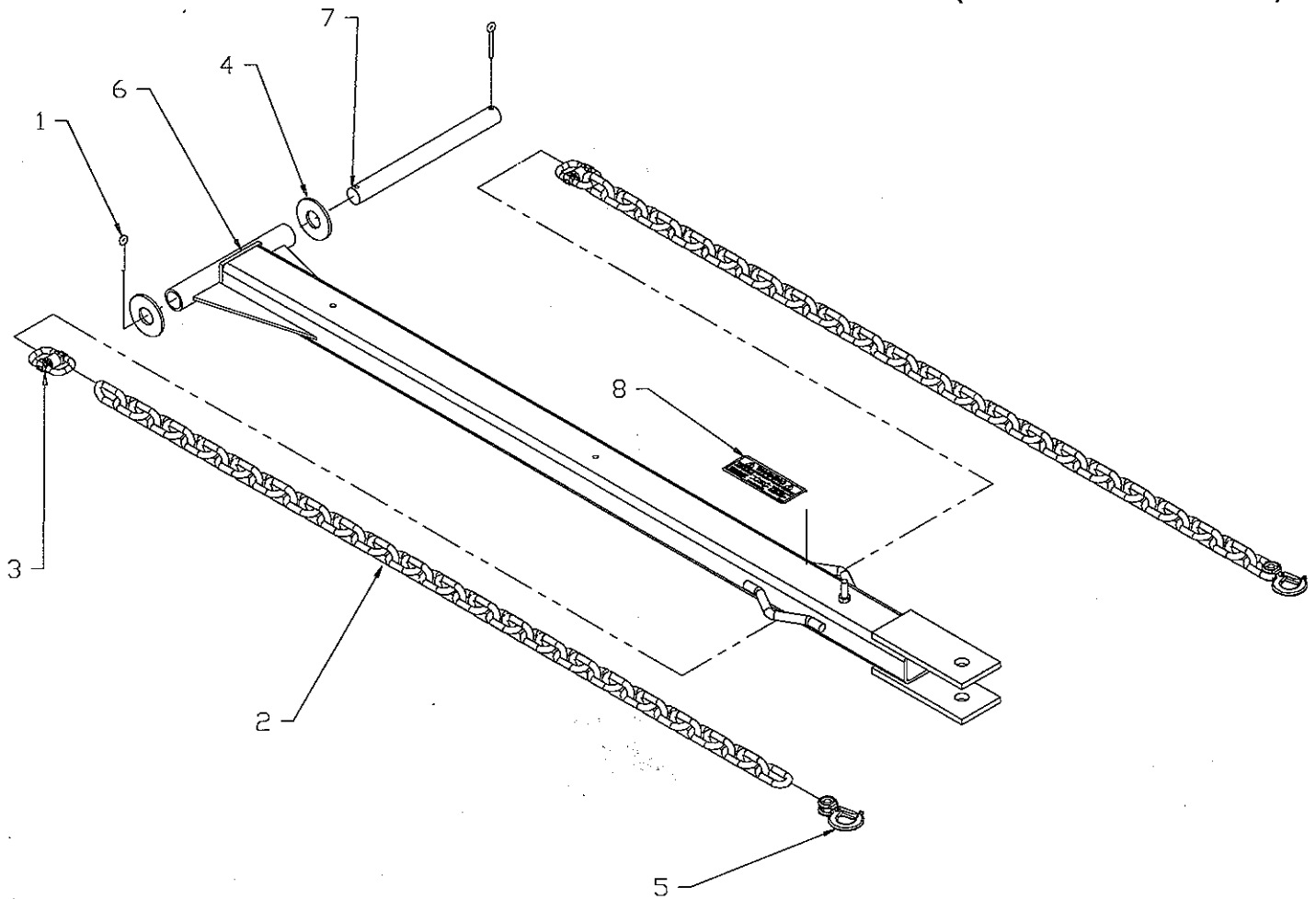


Ref Part Qty Description

| Ref | Part | Qty | Description |
|-----|---------|-----|------------------------------------|
| 1. | 07-0206 | 2 | Pin, Cotter, 3/16 x 2 |
| 2. | 07-0363 | 1 | Hitch, Ball, 2 |
| 3. | 07-1604 | 2 | Chain, 3/8, 4o Links |
| 4. | 07-1762 | 2 | Washer, Lock, Split, 1/2 |
| 5. | 07-1764 | 2 | Nut, Hex, 1/2-13 |
| 6. | 07-2032 | 2 | Clevis, Double Link, 9/32 |
| 7. | 07-3675 | 2 | Screw, Cap, 1/2-13 x 4 1/2 |
| 8. | 07-4040 | 2 | Washer, Flat, 1 |
| 9. | 07-4815 | 2 | Hook, Split, w/ 3/8 Clevis & Latch |
| 10. | 11-1511 | 1 | Pin, Towing, Pole, Install |
| 11. | 11-1536 | 1 | Weld, Hitch |
| 12. | 50-0042 | 1 | Label, Warning, Hitch |

Hitch Assembly

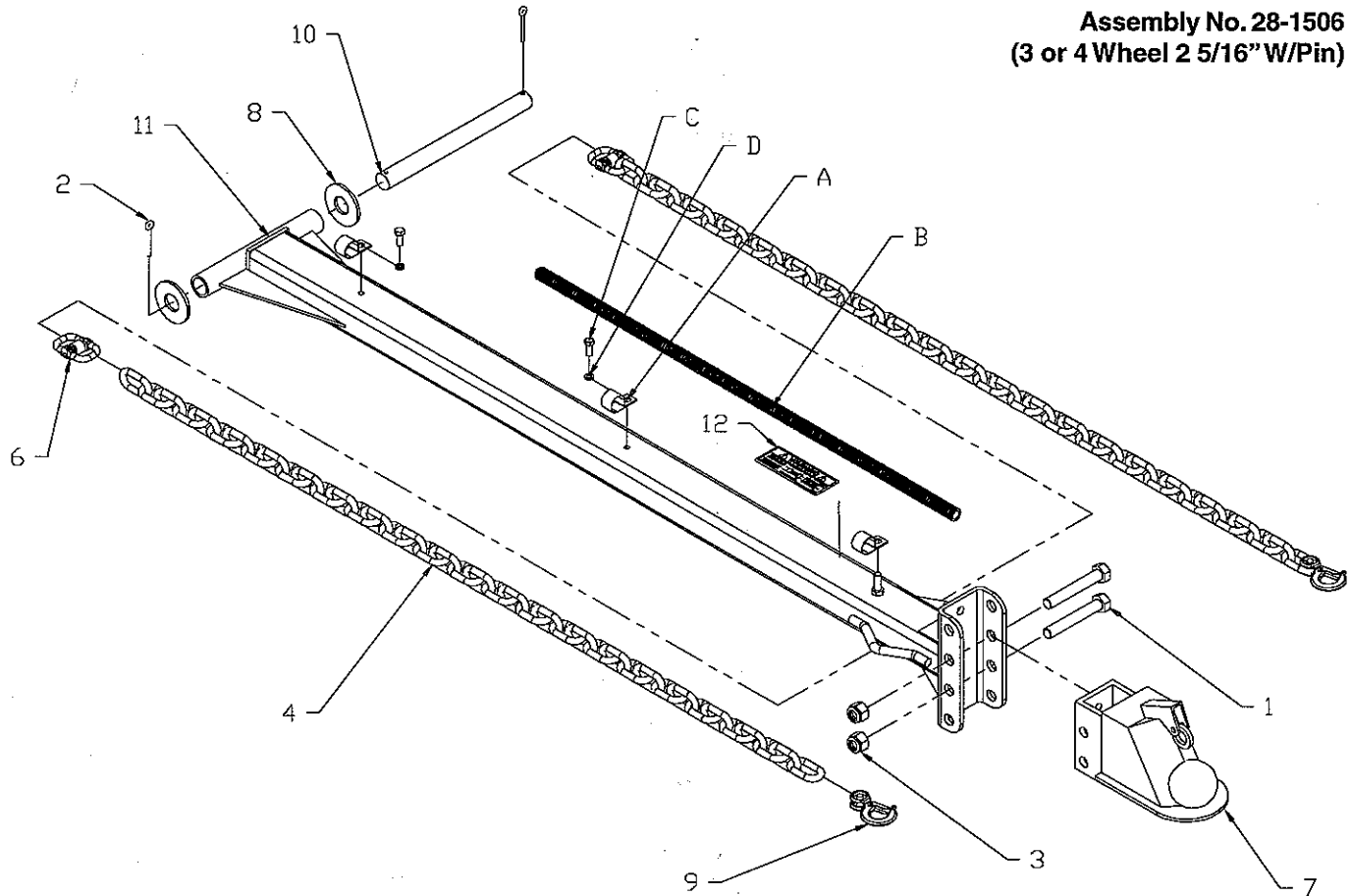
Assembly No. 28-1505
(3 or 4 Wheel Drawbar W/Pin)



| Ref | Part | Qty | Description |
|-----|---------|-----|-----------------------------------|
| 1. | 07-0206 | 2 | Pin, Cotter, 3/16 x 2 |
| 2. | 07-1604 | 2 | Chain, 3/8, 40 Links |
| 3. | 07-2032 | 2 | Clevis, Double Link, 9/32 |
| 4. | 07-4040 | 2 | Washer, Flat, 1 |
| 5. | 07-4815 | 2 | Hook, Split, W/3/8 Clevis & Latch |
| 6. | 11-1509 | 1 | Weld, Hitch, Towbar, Drop Pin |
| 7. | 11-1511 | 1 | Pin, Towing Pole, Install |
| 8. | 50-0042 | 1 | Label, Warning, Hitch |

Hitch Assembly

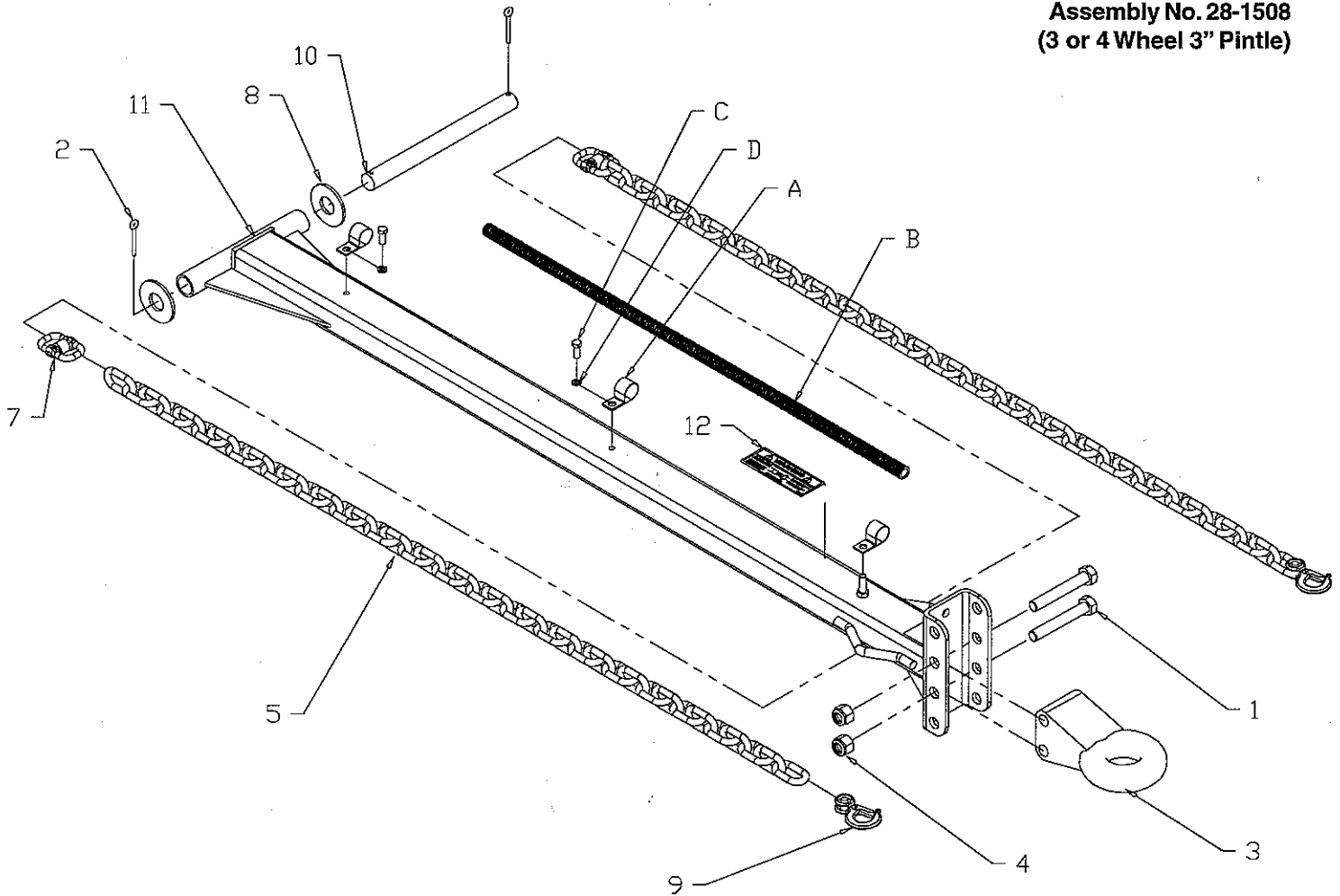
Assembly No. 28-1506
(3 or 4 Wheel 2 5/16" W/Pin)



| Ref | Part | Qty | Description |
|-----|---------|------|-----------------------------------|
| 1. | 07-5173 | 2 | Screw, Cap, M16-2x 120mm |
| 2. | 07-0206 | 2 | Pin, Cotter, 3/16 x 2 |
| 3. | 07-4532 | 2 | Nut, Hex, Lock, M16-2 |
| 4. | 07-1604 | 2 | Chain, 3/8, 40 Links |
| 6. | 07-2032 | 2 | Clevis, Double Link, 9/32 |
| 7. | 07-2479 | 1 | Hitch, Ball, 2 5/16 |
| 8. | 07-4040 | 2 | Washer, Flat, 1 |
| 9. | 07-4815 | 2 | Hook, Split, W/3/8 Clevis & Latch |
| 10. | 11-1511 | 1 | Pin, Towing, Pole, Install |
| 11. | 13-0777 | 1 | Weld, Hitch, Towbar, 3 or 4 Wheel |
| 12. | 50-0042 | 1 | Label, Warning, Hitch |
| A. | 07-1734 | 3 | Clamp, Rubber, 1 |
| B. | 07-1833 | 8 ft | Loom, Flex, Guard, 3/4 |
| C. | 07-3426 | 2 | Screw, Cap, 5/16-18 x 3/4 |
| D. | 07-3273 | 2 | Washer, Lock, Split, 5/16 |

Hitch Assembly

Assembly No. 28-1508
(3 or 4 Wheel 3" Pintle)



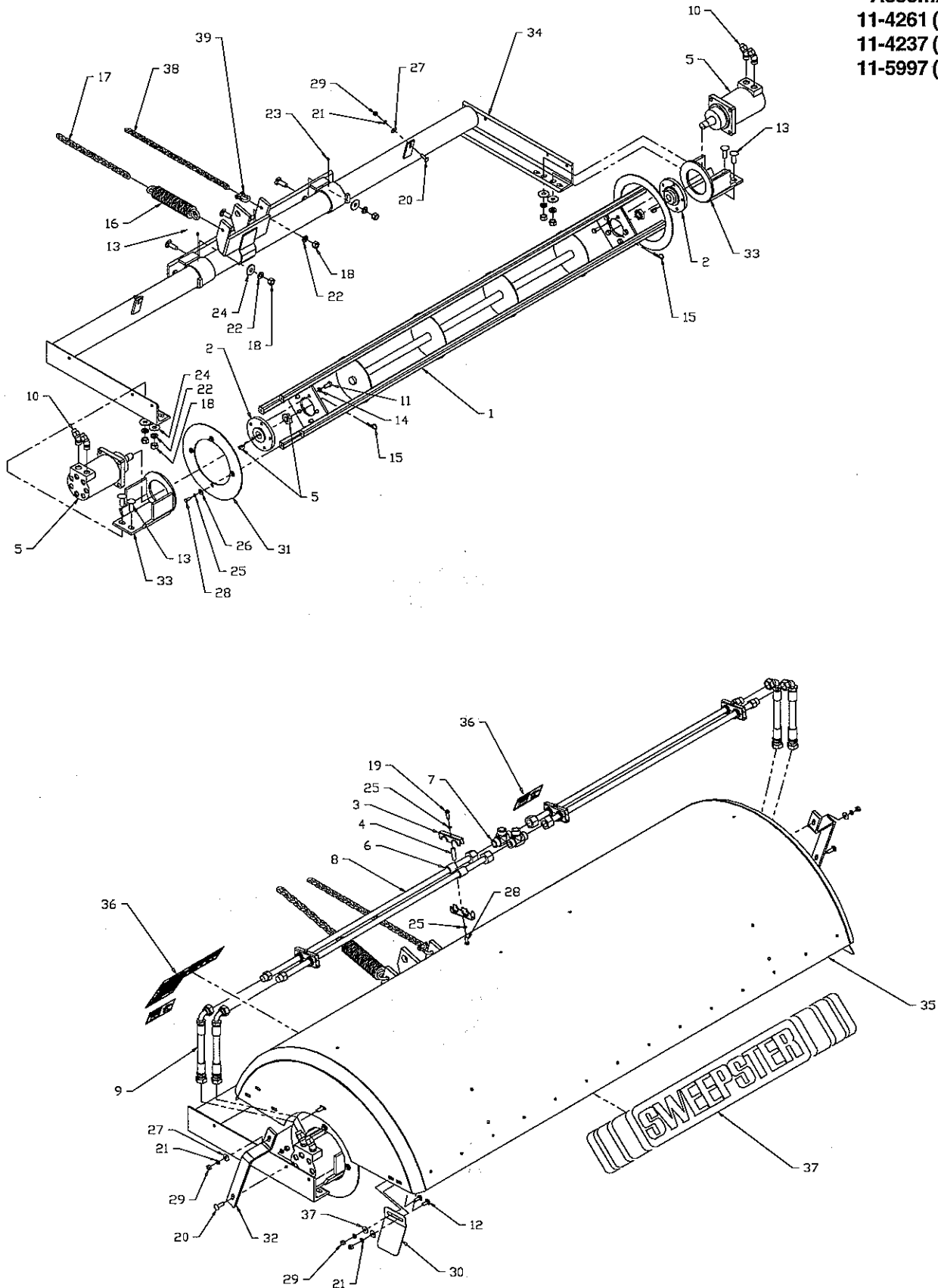
| Ref | Part | Qty | Description |
|-----|---------|------|-----------------------------------|
| 1. | 07-5173 | 2 | Screw, Cap, M16-2 x 120mm |
| 2. | 07-0206 | 2 | Pin, Cotter, 3/16 x 2 |
| 3. | 07-1035 | 1 | Eye, Pintel, 3, Bolt-On |
| 4. | 07-4532 | 2 | Nut, Hex, Lock, M16-2 |
| 5. | 07-1604 | 2 | Chain, 3/8, 40 Links |
| 7. | 07-2032 | 2 | Clevis, Double Link, 9/32 |
| 8. | 07-4040 | 2 | Washer, Flat, 1 |
| 9. | 07-4815 | 2 | Hook, Split, W/3/8 Clevis & Latch |
| 10. | 11-1511 | 1 | Pin, Towing Pole, Install |
| 11. | 13-0777 | 1 | Weld, Hitch, Towbar, 3 or 4 Wheel |
| 12. | 50-0042 | 1 | Label, Warning, Hitch |
| A. | 07-1734 | 3 | Clamp, Rubber, 1 |
| B. | 07-1833 | 8 ft | Loom, Flex, Guard, 3/4 |
| C. | 07-3426 | 2 | Screw, Cap, 5/16-18 x 3/4 |
| D. | 07-3273 | 2 | Washer, Lock, Split, 5/16 |

Brush Head Assembly

| Ref | Part | Qty | Description |
|-----|-----------|-----|---|
| 1. | 01-0250 | 1 | Weld, Core, Section, 7 ft |
| | 01-0426 | 1 | Weld, Core, Section, 8 ft |
| | 01-0383 | 1 | Weld, Core, Section, 9 ft |
| 2. | 03-0400 | 2 | Hub, Taper, 16170 |
| 3. | 03-0784 | 8 | Clamp, 2 Position |
| 4. | 03-0788 | 4 | Nut, Stake, Socket Head |
| 5. | 03-1826 | 2 | Motor, Hydraulic, 18 CI |
| 6. | 03-1931 | 8 | Bushing, Split, 3/4 Tube |
| 7. | 03-1940 | 2 | Fitting, Tee, HP, 3/4 MFS, 3/4 MFS |
| 8. | 03-1967-7 | 4 | Assembly, Tube, Brush Head, 40 3/4, 7 ft |
| | 03-1967-8 | 4 | Assembly, Tube, Brush Head, 47 1/4, 8 ft |
| | 03-1967-9 | 4 | Assembly, Tube, Brush Head, 52 3/4, 9 ft |
| 9. | 03-1968 | 4 | Hose, 5/8 x 16 1/8, 5/8 FFS, 5/8 FFS-90° |
| 10. | 03-2030 | 4 | Fitting, Elbow, HP, 45°, 7/8 MOR, 5/8 MFS |
| 11. | 07-0034 | 10 | Screw, Cap, 7/16-20 x 1 |
| 12. | 07-0108 | 4 | Bolt, Carriage, 3/8 x 3/4 |
| 13. | 07-0119 | 7 | Bolt, Carriage, 5/8 x 1 3/4, 7 ft |
| | 07-0119 | 8 | Bolt, Carriage, 5/8 x 1 3/4, 8 ft |
| 14. | 07-0169 | 10 | Washer, Lock, Split, 7/16 |
| 15. | 07-0210 | 2 | Clip, Hairpin, 14 Gauge x 1 3/4 |
| 16. | 07-0216 | 1 | Spring, Tension, 1.87 x 10.31 |
| 17. | 07-0246 | 1 | Chain, 1/4, 13 Links, 7 ft |
| | 07-0217 | 1 | Chain, 1/4, 9 Links, 8 ft & 9 ft |
| 18. | 07-1294 | 7 | Nut, Hex, 5/8-11 |
| 19. | 07-1714 | 8 | Screw, Cap, 5/16-18 x 1 |
| 20. | 07-1717 | 6 | Bolt, Carriage, 3/8-16 x 1 1/4 |
| 21. | 07-1718 | 10 | Washer, Lock, Split, 3/8 |
| 22. | 07-1872 | 7 | Washer, Lock, Split, 5/8 |
| 23. | 07-2681 | 2 | Fitting, Zerk, Drive-In, 1/4 |
| 24. | 07-3120 | 6 | Washer, Flat, 5/8 |
| 25. | 07-3273 | 12 | Washer, Lock, Split, 5/16 |
| 26. | 07-3275 | 6 | Washer, Flat, 5/16 |
| 27. | 07-3279 | 11 | Washer, Flat, 3/8 |
| 28. | 07-3436 | 4 | Screw, Cap, 5/16-18 x 3/4 |
| 29. | 07-3654 | 10 | Nut, Hex, 3/8-16 |
| 30. | 11-0773 | 2 | Shield, Side, Hood |
| 31. | 11-1149 | 1 | Ring, End, W/Holes |
| 32. | 11-1606 | 2 | Bracket, Hood, W/Bend |
| 33. | 11-1837 | 2 | Weld, Mounting, Motor, TRW |
| 34. | 11-2122-1 | 1 | Weld, Frame, Brush, 7 ft |
| | 11-2122-2 | 1 | Weld, Frame, Brush, 8 ft |
| | 11-2122-4 | 1 | Weld, Frame, Brush, 9 ft |
| 35. | 13-1862 | 1 | Weld, Hood, 180°, 7 ft |
| | 13-1867 | 1 | Weld, Hood, 180°, 8 ft |
| | 13-7137 | 1 | Weld, Hood, 180°, 9 ft |
| 36. | 28-1519 | 1 | Assembly, Safety, Label, Brush Head |
| 37. | 50-0253 | 1 | Label, Logo, Sweepster |
| 38. | 07-0249 | 1 | Chain, 1/4, 22 Links |
| 39. | 07-4350 | 1 | Shackle, Chain, 3/8 |

Brush Head Assembly

Assembly No.
11-4261 (7 Feet)
11-4237 (8 Feet)
11-5997 (9 Feet)

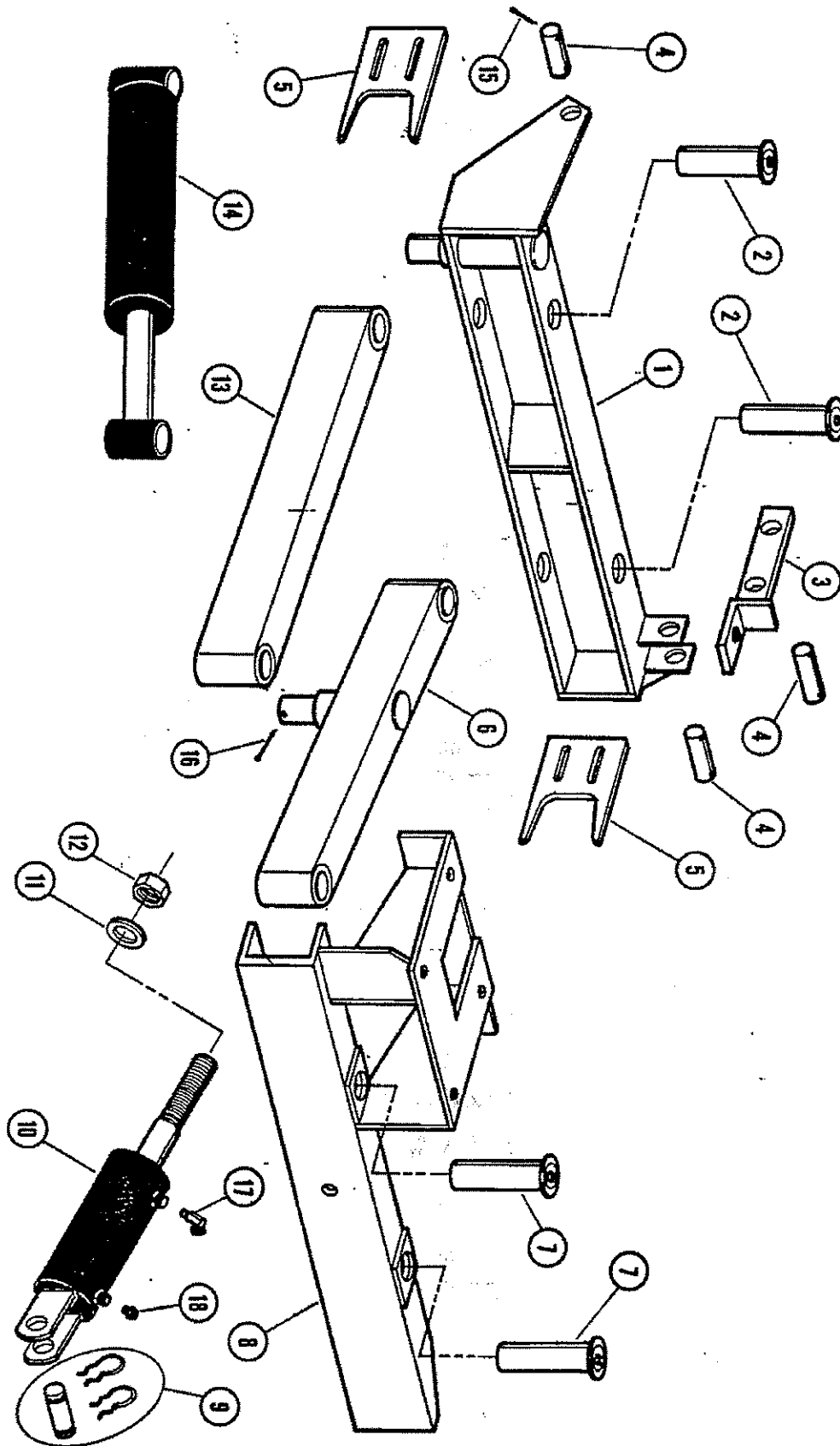


Swing Assembly

| Ref | Part | Qty | Description |
|-----|-----------|-----|--|
| 1. | 11-1502 | 1 | Frame, Swing |
| 2. | 13-7926 | 2 | Weld, Pin, 1.5 x 5.88 |
| 3. | 11-0799 | 1 | Bracket, Leveling |
| 4. | 11-0459 | 3 | Rod, Mounting |
| 5. | 11-3813 | 2 | Bracket, Stop |
| 6. | 11-1514 | 1 | Arm, Swing W/Pin |
| 7. | 13-7927 | 2 | Weld, Pin, 1.5 x 6.62 |
| 8. | 11-1522 | 1 | Frame, Engine, Mount |
| 9. | 07-0539 | 1 | Pin, Lift, Cylinder |
| 10. | 03-0001 | 1 | Cylinder, Lift, 1/4 Female Pipe Ports |
| | 03-1928 | 1 | Cylinder, Lift, 9/16 Female O-Ring Ports |
| 11. | 07-0159 | 1 | Washer, Flat |
| 12. | 07-0186 | 1 | Nut, Hex |
| 13. | 11-1503 | 1 | Arm, Swing, W/O Pin |
| 14. | 03-1929 | 1 | Cylinder, Swing |
| 15. | 07-0699 | 6 | Pin, Cotter |
| 16. | 07-0206 | 2 | Pin, Cotter |
| 17. | 03-1069-4 | 3 | Fitting, HP, 1/4 Street Elbow |
| | 03-1069-4 | 1 | Elbow, 1/4 NPT, for 03-0001 only |
| 18. | 03-0584 | 1 | Fitting, Vent, Plug, 1/4 Male Pipe |
| | 03-1957 | 1 | Fitting, Vent, Plug, 9/16-18 O-Ring Male |
| NS. | 03-1969 | 1 | Hose, 3/8 x 48 (Lift Cylinder) |
| | 03-1970 | 2 | Hose, 3/8 x 40, (Swing Cylinder) |

Swing Assembly

Assembly No. 11-4030



Engine and Drive Components

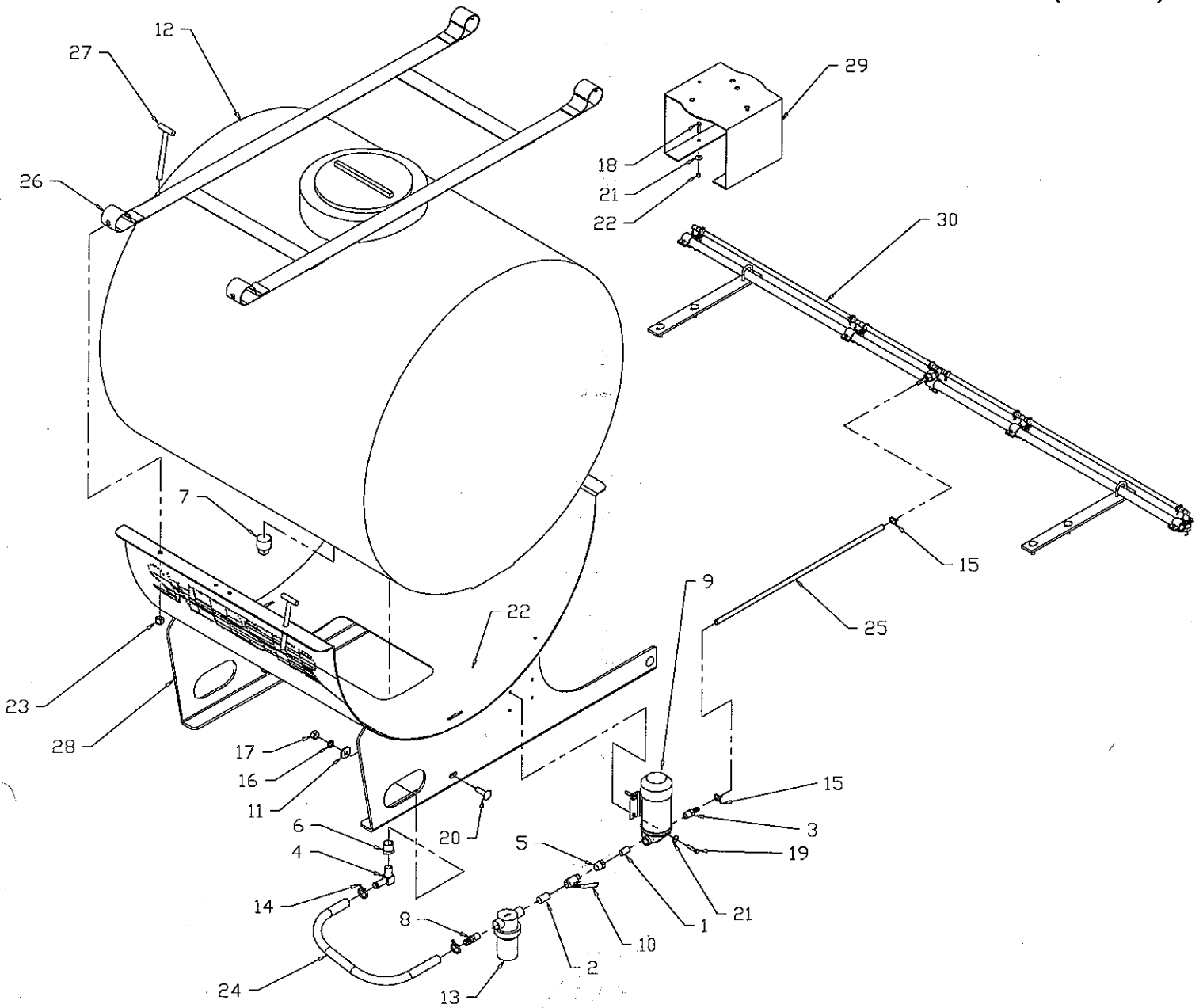
| Ref | Part | Qty | Description | Ref | Part | Qty | Description |
|-----|------------|------|--|-----|----------|--------|---|
| 1. | 03-0028 | 1 | Fitting, STELB, BP, 90° | 35. | 07-1191 | 2 | Clamp, T-Bolt, 1 |
| 2. | 03-0366 | 1 | Fitting, Elbow, HP, 90°, 1 5/16MOR, 1FP | 36. | 07-1506 | 1 | Actuator, Mono, 2 Stroke |
| 3. | 03-0454 | 1 | Fitting, Barb, HP, 90°, 1/4, 1/8MP | 37. | 07-1718 | 12 | Washer, Lock, Split, 3/8 |
| 4. | 03-0592 | 1 | Valve, Shut-Off, Ball, 1 | 38. | 07-1730 | 8 | Bolt, Carriage, 3/8-16 x 1 1/2 |
| 5. | 03-0676 | 1 | Cooler, 18000 BTU, 13 G.P.M. | 39. | 07-1762 | 2 | Washer, Lock, Split, 1/2 |
| 6. | 03-0744 | 1 | Filter, Hydraulic, 25M | 40. | 07-1764 | 2 | Nut, Hex, 1/2-13 |
| 7. | 03-0745 | 1 | Filter, Head, 25 GPM | 42. | 07-3034 | 4 | Nut, Hex, Lock, 1/2-13 |
| 8. | 03-0815 | 1 | Fitting, STELB, BP, 90°, 1 1/4 | 43. | 07-3279 | 8 | Washer, Flat, 3/8 |
| 9. | 03-0869 | 1 | Fitting, Barb, HP, 1 3/4MP | 44. | 07-3310 | 1 | Engine, Wisconsin, Gas |
| 10. | 03-1022-10 | 1 | Fitting, Nipple, HP, Hex, 3/4MP, 3/4MP | 45. | 07-3639 | 1 | Screw, Cap, 1/4-20 x 1 1/2 |
| 11. | 03-1068-13 | 1 | Fitting, Reducerbushing, HP, 1 x 3/4 | 46. | 07-3640 | 1 | Screw, Cap, 1/4-20 x 1 3/4 |
| 12. | 03-1086 | 2 | Kit, Mounting, Oil Cooler | 47. | 07-3654 | 12 | Nut, Hex, 3/8-16 |
| 13. | 03-1118 | 1 | Fitting, Barb, HP, 1MP | 48. | 07-1198 | 4 | Screw, Cap, 7/16-14 x 1 1/2 |
| 14. | 03-1173 | 1 | Fitting, Barb, HP, 1/4, 1/4F | 49. | 07-3672 | 2 | Screw, Cap, 1/2-13 x 2 1/4 |
| 16. | 03-1310 | 1 | Fitting, Nipple, BP, Closed, 1 | 50. | 07-3710 | 4 | Bolt, Carriage, 1/2-13 x 2 1/4 |
| 17. | 03-1337 | 1 | Pump, Vicker | 51. | 07-4050 | 4 | Washer, Lock, Split, 7/16 |
| 18. | 03-1956 | 2 | Fitting, Elbow, HP, 90°, 1 5/16MOR, 3/4MFS | 52. | 07-4052 | 4 | Screw, Cap, 3/8 x 3/4 |
| 19. | 03-1971 | 1 | Hose, 3/4 x 56, 3/4FFS, 3/4FFS-90° | 53. | 07-5824 | 2 | Nut, Hex, Lock, 1/4-20 |
| 20. | 03-1972 | 1 | Hose, 3/4 x 68, 3/4FFS, 3/4FFS-90° | 57. | 09-0019 | 2.3 ft | Hose, Suction, 1 |
| 21. | 03-2396 | 1 | Fitting, Elbow, HP, 90°, 1 1/16MOR, 5/8MFS | 58. | 09-0054 | .86 ft | Tube, 3/8, 1/4 Sight gauge |
| 23. | 03-4135 | 1 | Hose, 5/8 x 48, 5/8FFS, 1/2MPS | 59. | 11-1523 | 1 | Bracket, Air Filter |
| 24. | 03-4136 | 1 | Hose, 5/8 x 56, 5/8FFS, 1/2MPS | 60. | 11-2430 | 2 | Plate, Mounting, Cooler, 2 1/4, 3 Holes |
| 25. | 03-4137 | 1 | Fitting, Elbow, HP, 90°, 5/8MFS, 3/4MP | 61. | 11-7258 | 1 | Shield, Cooler, Oil |
| 26. | 05-0327 | 1 | Coupling, Half, 1 7/16, 5016 | 62. | 11-9249 | 1 | Weld, Bracket, Pump/Tanks |
| 27. | 05-0328 | 1 | Chain, Coupling, 5016 | 63. | 11-9268 | 1 | Weld, Arm, Actuator, Mini |
| 28. | 05-0332 | 1 | Coupling, Half, 7/8 Round, 5016 | 64. | 11-9899 | 1 | Key, 38 x 1 3/8 |
| 29. | 07-3637 | 2 | Screw, Cap, 1/4-20 x 1 | 65. | 13-11407 | 1 | Weld, Tank, Oil Hydraulic |
| 30. | 07-0156 | 2 | Washer, Flat, 1/2 | 66. | 13-2723 | 1 | Weld, Stop, Actuator, Adjust |
| 31. | 07-0245 | 1 | Cap, Breather, Hydraulic Tank | 67. | 28-0508 | 1 | Assembly, Electric, W/Engine |
| 32. | 07-0538 | 2 | Clamp, Screw | 68. | 07-1882 | 2 | Screw, Set, 3/8-16 x 5/8, Cup Point |
| 33. | 07-0551 | 2 | Clamp, Spring, 1/4 Hole | 69. | 07-5823 | 1 | Key, 1/4 x 3/4 |
| 34. | 07-1095 | 3 ft | Hose, Fuel, 1/4 | 70. | 07-1810 | 4 | Nut, Hex, Lock, 5/16-18 |

Option – Sprinkler System

| Ref | Part | Qty | Description |
|-----|-----------|-------|---|
| 1. | 03-0076 | 1 | Fitting, Nipple, BP, Close, 3/8 |
| 2. | 03-0152 | 1 | Fitting, Nipple, BP, Close, 1/2 |
| 3. | 03-0457 | 1 | Fitting, Barb, 3/8, 3/8MP |
| 4. | 03-0714 | 1 | Fitting, Barb, HP, 90°, 5/8, 1/2MP |
| 5. | 03-0819 | 1 | Fitting, Reducerbushing, BP, 1/2 x 3/8 |
| 6. | 03-1068-9 | 1 | Fitting, Reducerbushing, HP, 3/4 x 1/2 |
| 7. | 03-1182-7 | 1 | Fitting, Plug, BP, Square, 1 1/4 |
| 8. | 03-1226 | 1 | Fitting, Barb, HP, 5/8, 1/2MP |
| 9. | 03-1326 | 1 | Pump, Flojet, Water, 2.1 G.P.M., 12Volt |
| 10. | 03-1392 | 1 | Valve, Shut-Off, Ball, 1/2 |
| 11. | 07-0156 | 4 | Washer, Flat, 1/2 |
| 12. | 07-0367 | 1 | Assembly, Tank, Water, 150 Gal |
| 13. | 07-0532 | 1 | Strainer, Hypro, Water |
| 14. | 07-0547 | 2 | Clamp, Spring, 7/8 Hose |
| 15. | 07-0549 | 2 | Clamp, Spring, 5/8 Hose |
| 16. | 07-1762 | 4 | Washer, Lock, Split, 1/2 |
| 17. | 07-1764 | 4 | Nut, Hex, 1/2-13 |
| 18. | 07-3637 | 2 | Screw, Cap, 1/4-20 x 1 |
| 19. | 07-3638 | 4 | Screw, Cap, 1/4-20 x 1 1/4 |
| 20. | 07-3708 | 4 | Bolt, Carriage, 1/2-13 x 1 1/2 |
| 21. | 07-4032 | 6 | Washer, Flat, 1/4 |
| 22. | 07-4033 | 6 | Nut, Hex, Nylock, 1/4-20 |
| 23. | 07-4037 | 4 | Nut, Hex, Nylock, 1/2-13 |
| 24. | 09-0028 | 2 ft | Hose, Heater, 5/8 |
| 25. | 09-0056 | 14 ft | Hose, Heater, 3/8 |
| 26. | 09-0107 | 1 | Strap, Nylon, Tank, 2 x 52 |
| 27. | 11-7051 | 4 | Weld, Bolt, Tee, Sprinkler |
| 28. | 13-1742 | 1 | Weld, Mounting, Tank, Water, 150 Gallon |
| 29. | 13-1835 | 1 | Plate, Mounting, ROPS, Strobe |
| 30. | G-Kit66 | 1 | Assembly, Spray Bar (7 Foot) |
| | G-Kit67 | 1 | Assembly, Spray Bar (8 & 9 Foot) |

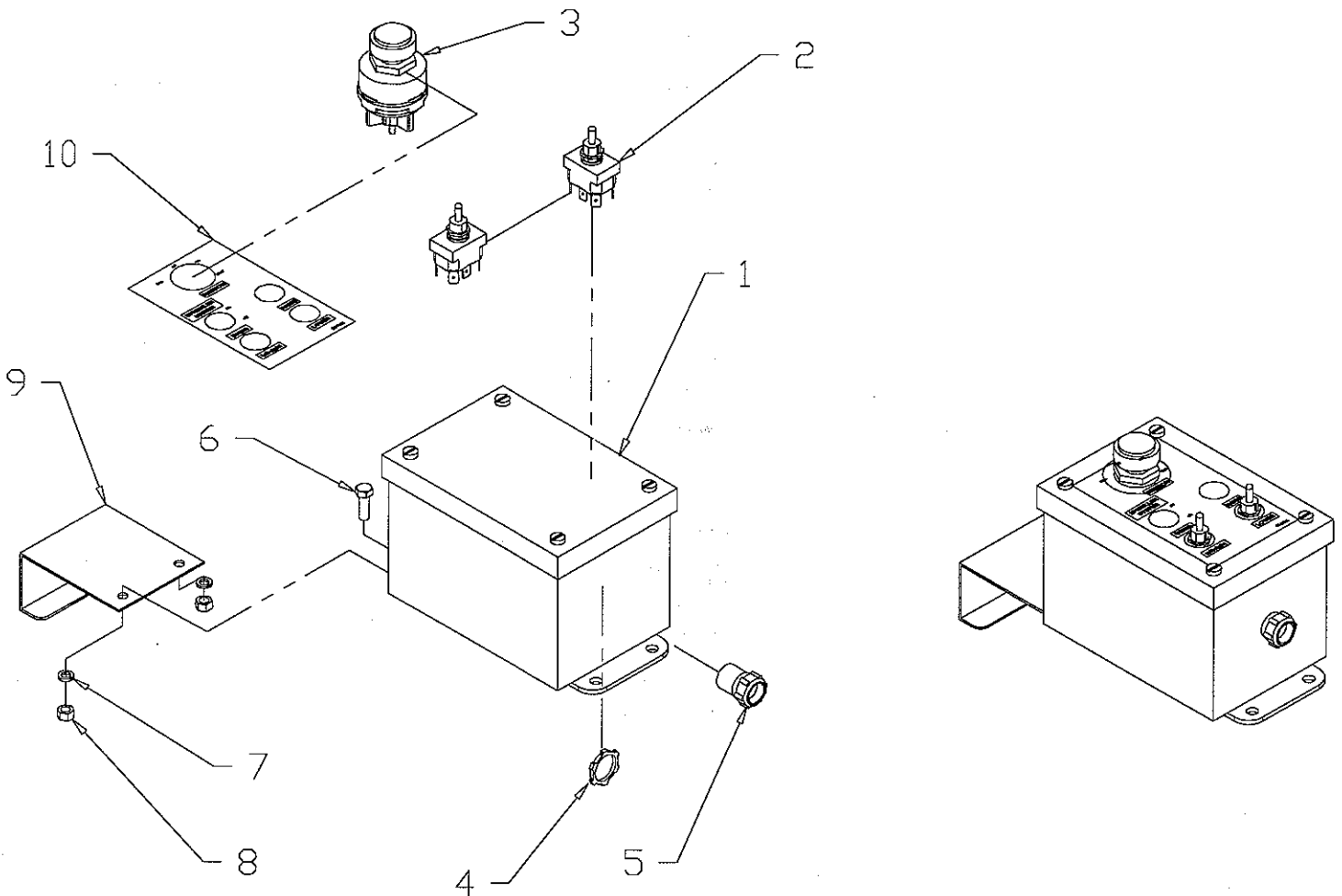
Option – Sprinkler System

Assembly No. 11-4409(7 Foot)
11-4441 (8 & 9 Foot)



Control Box Assembly

Assembly No. 07-0351-1
Control Box without Cable

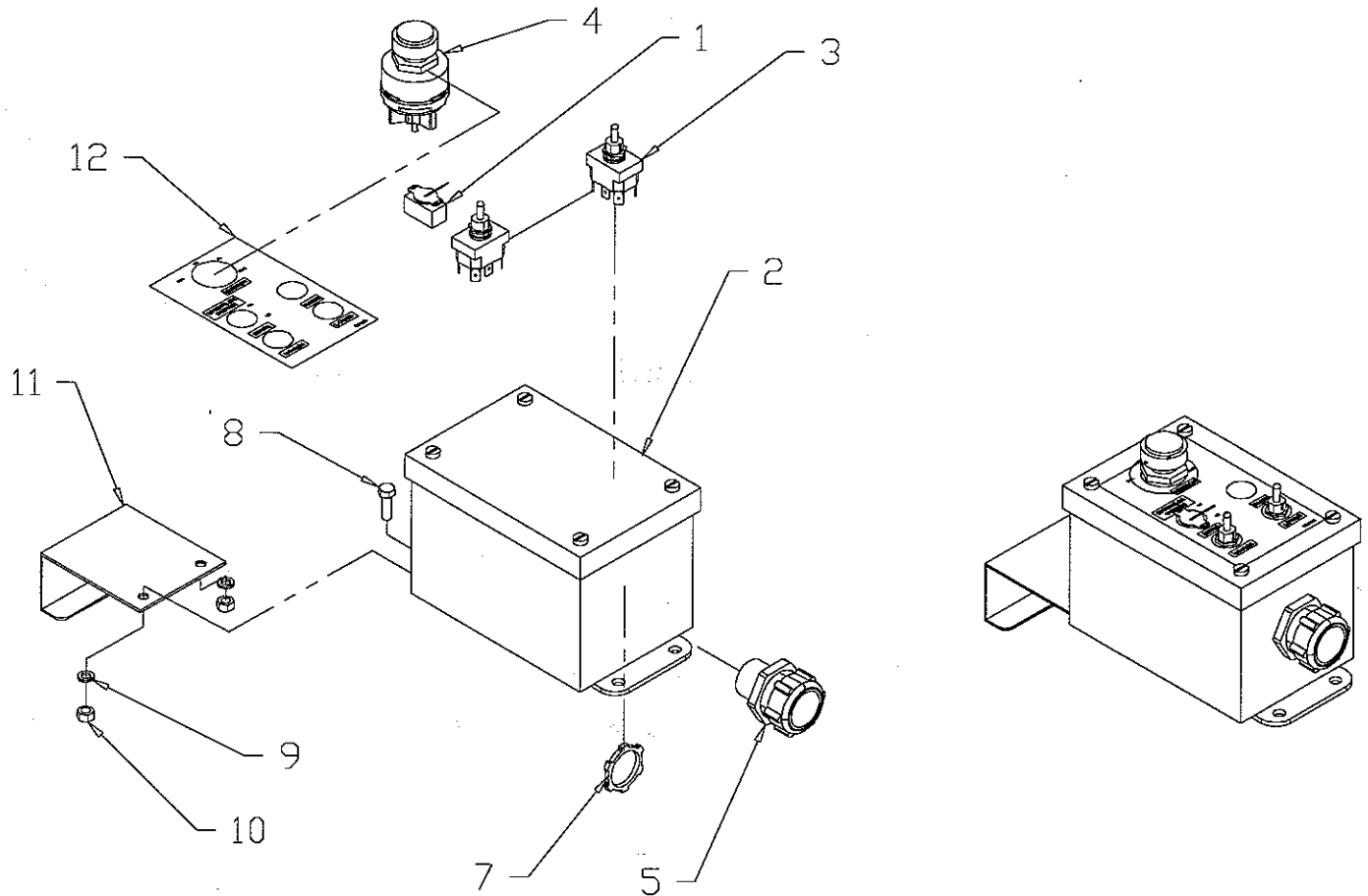


| Item | Part | Qty | Description |
|------|------|-----|-------------|
|------|------|-----|-------------|

| | | | |
|-----|----------|---|---------------------------------|
| 1. | 07-0351 | 1 | Box, Control, Hoffman |
| 2. | 07-0351A | 2 | Switch, Toggle, 6 Prong |
| 3. | 07-0370 | 1 | Switch, Ignition, NG-100 |
| 4. | 07-0856 | 1 | Nut, Lock, 1/2, F/Strain Relief |
| 5. | 07-0857 | 1 | Strain Relief, 1/2 BRN, 16/12 |
| 6. | 07-3432 | 2 | Screw, Cap, 1/4-20 x 3/4 |
| 7. | 07-4038 | 2 | Washer, Lock, Split, 1/4 |
| 8. | 07-4039 | 2 | Nut, Hex, 1/4-20 |
| 9. | 11-1519 | 1 | Hanger, Control Box |
| 10. | 50-0019 | 1 | Label, Control Box |

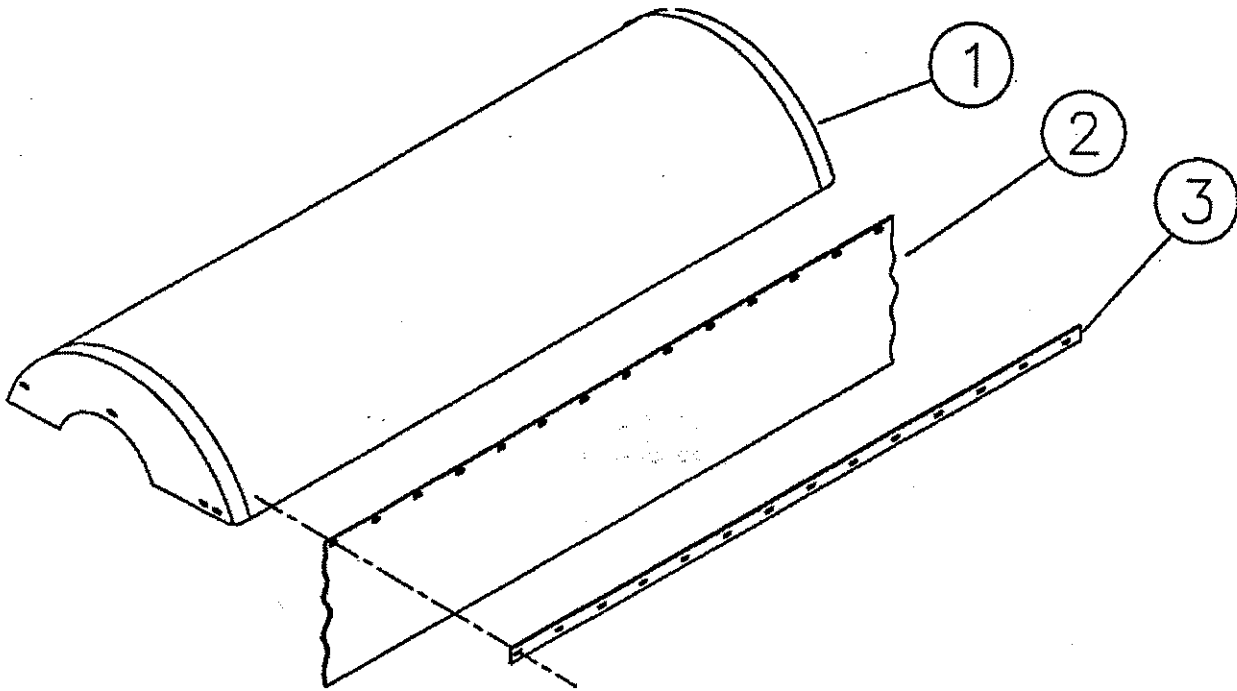
Control Box Assembly

Assembly No. 07-0351-2
Control Box with Cable



| Item | Part | Qty | Description |
|------|----------|-----|----------------------------|
| 1. | 07-0343 | 1 | Switch, Toggle, 2 Position |
| 2. | 07-0351 | 1 | Box, Control, Hoffman |
| 3. | 07-0351A | 2 | Switch, Toggle, 6 Prong |
| 4. | 07-0370 | 1 | Switch, Ignition, NG-100 |
| 5. | 07-1477 | 1 | Strain, Relief, 3/4 |
| 7. | 07-2245 | 1 | Strain, Relief, Nut, 3/4 |
| 8. | 07-3432 | 2 | Screw, Cap, 1/4-20 x 3/4 |
| 9. | 07-4038 | 2 | Washer, Lock, Split, 1/4 |
| 10. | 07-4039 | 2 | Nut, Hex, 1/4-20 |
| 11. | 11-1519 | 1 | Hanger, Control Box |
| 12. | 50-0019 | 1 | Label, Control Box |

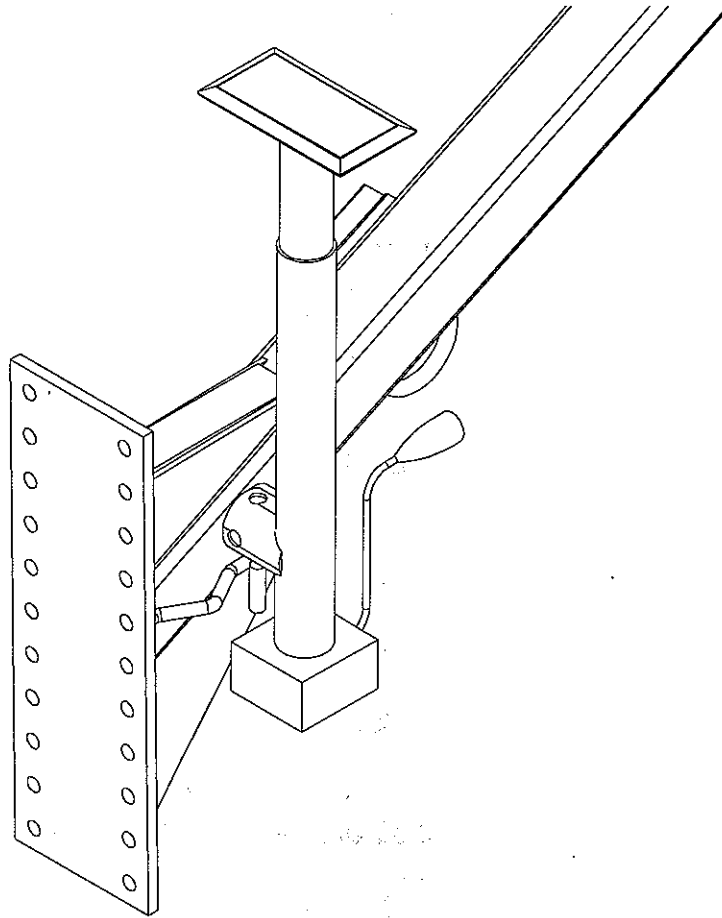
Option – 180° Hood Option



Ref. Part No. Qty Description

| | | | |
|----|-----------|----|--------------------------------|
| 1. | 13-1862 | 1 | Hood, 7 Ft., 180° |
| | 13-1867 | 1 | Hood, 8 Ft., 180° |
| 2. | 09-0043-1 | 1 | Flap, Dirt Deflector, 7 Ft. |
| | 09-0043 | 1 | Flap, Dirt Deflector, 8 Ft. |
| | 07-0113 | 14 | Bolt, Carriage, 3/8 x 1, 7 Ft. |
| | 07-0113 | 16 | Bolt, Carriage, 3/8 x 1, 8 Ft. |
| | 07-0168 | 14 | Washer, Lock, 3/8, 7 Ft. |
| | 07-0168 | 16 | Washer, Lock, 3/8, 7 Ft. |
| | 07-0183 | 14 | Nut, Hex, 3/8-16, 7 Ft. |
| | 07-0183 | 16 | Nut, Hex, 3/8-16, 8 Ft. |
| 3. | 13-0752-2 | 1 | Strap, 7 Ft |
| | 13-0752-1 | 1 | Strap, 8 Ft |

Storage



NOTE: RECOMMENDED JACK STAND STORAGE POSITION FOR P&H-

IMPORTANT – To avoid damage to both jack and spraybar, jack should be stored with the sand shoe vertical or forward towards the towering vehicle.

Torque Values

Bolt Torque Specifications

| Body Size Grade 5 | Ft-lbs | | Body Size Class 8.8 | Ft-lbs |
|----------------------|----------|--|------------------------|----------|
| 1/4 - 20 | 6 ± 1 | | M6 - 1.0 | 5 ± 1 |
| - 28 | 7 ± 1 | | n/a | - |
| 5/16 - 18 | 13 ± 3 | | n/a | - |
| - 24 | 14 ± 3 | | n/a | - |
| 3/8 - 16 | 23 ± 5 | | M8 - 1.25 | 14 ± 3 |
| - 24 | 26 ± 5 | | - 1.0 | - |
| 7/16 - 14 | 37 ± 8 | | M10 - 1.5 | 29 ± 6 |
| - 20 | 41 ± 9 | | - 0.75 | - |
| 1/2 - 13 | 56 ± 11 | | M12 - 1.75 | 50 ± 10 |
| - 20 | 63 ± 12 | | - 1.0 | - |
| 9/16 - 12 | 82 ± 14 | | M14 - 2.0 | 80 ± 14 |
| - 18 | 91 ± 16 | | - 1.5 | - |
| 5/8 - 11 | 113 ± 20 | | M16 - 2.0 | 125 ± 22 |
| - 18 | 127 ± 23 | | - 1.5 | - |
| 3/4 - 10 | 201 ± 26 | | n/a | - |
| - 16 | 223 ± 29 | | n/a | - |
| 7/8 - 9 | 321 ± 41 | | M20 - 2.5 | 244 ± 31 |
| - 14 | 355 ± 46 | | - 1.5 | - |
| 1 - 8 | 483 ± 62 | | M24 - 3.0 | 422 ± 54 |
| - 12 | 528 ± 68 | | - 2.0 | - |

| Body Size Grade 8 | Ft-lbs | | Body Size Class 10.9 | Ft-lbs |
|----------------------|----------|--|-------------------------|----------|
| 1/4 - 20 | 9 ± 2 | | M6 - 1.0 | 8 ± 1 |
| - 28 | 10 ± 2 | | n/a | - |
| 5/16 - 18 | 18 ± 4 | | n/a | - |
| - 24 | 20 ± 4 | | n/a | - |
| 3/8 - 16 | 32 ± 7 | | M8 - 1.25 | 20 ± 4 |
| - 24 | 37 ± 8 | | - 1.0 | - |
| 7/16 - 14 | 52 ± 11 | | M10 - 1.5 | 40 ± 8 |
| - 20 | 58 ± 12 | | - 0.75 | - |
| 1/2 - 13 | 80 ± 16 | | M12 - 1.75 | 69 ± 14 |
| - 20 | 90 ± 18 | | - 1.0 | - |
| 9/16 - 12 | 115 ± 20 | | M14 - 2.0 | 110 ± 20 |
| - 18 | 128 ± 23 | | - 1.5 | - |
| 5/8 - 11 | 159 ± 28 | | M16 - 2.0 | 173 ± 31 |
| - 18 | 180 ± 32 | | - 1.5 | - |
| 3/4 - 10 | 282 ± 36 | | n/a | - |
| - 16 | 315 ± 41 | | n/a | - |
| 7/8 - 9 | 454 ± 59 | | M20 - 2.5 | 337 ± 44 |
| - 14 | 500 ± 65 | | - 1.5 | - |
| 1 - 8 | 681 ± 88 | | M24 - 3.0 | 583 ± 75 |
| - 12 | 746 ± 97 | | - 2.0 | - |

Foot-pounds may be converted to Newton Meters by multiplying by 1.35582.

Foot-pounds may be converted to Inch-pounds by dividing by 12.

If the nut and screw are not the same grade, the lower grade will always be used.

NOTE - Nylock nuts are utilized when greater resistance to vibrating loose is required, and greater operating temperatures are not a factor. In addition, like lock nuts, nylock nuts have a safety feature that if the bolt does vibrate loose, the nut will remain on the screw. Install nylock nuts to the standard torque shown above.

Warranty Information

Warranty Registration

Return form to 1-734-996-9014



PALADIN LIGHT CONSTRUCTION

Warranty Registration Form and Delivery Inspection Report

IMPORTANT! Warranty Void if card is not returned with 10 days.
All Applicable sections must be filled in.

This section to be filled out and signed by Dealer at time of delivery.

Warranty Registration

| | |
|----------------------------------|----------------------------------|
| Customer's Name _____ | Dealer's Name _____ |
| Address _____ | Address _____ |
| City _____ State _____ Zip _____ | City _____ State _____ Zip _____ |
| Phone _____ | CHECK ONE: |
| Loader / Tractor Model _____ | Construction Use _____ |
| Delivery Date _____ | Agricultural Use _____ |
| Model or Part # _____ | Landscape Use _____ |
| Serial # _____ | Other: _____ |

Dealer Inspection (check items applicable)

- | | |
|---|---|
| <input type="checkbox"/> All Decals installed (see operator's manual) | <input type="checkbox"/> Review Operating and Safety Instructions |
| <input type="checkbox"/> Hydraulic fittings tight and free of leaks | <input type="checkbox"/> Guards and covers in place and secure |
| <input type="checkbox"/> Fasteners tight | <input type="checkbox"/> Does Product Function Properly |

I have thoroughly instructed the buyer on the above described equipment. This review included: The Operator's manual content, equipment care, adjustments, safe operation and applicable warranty policy.

Date _____ Dealer's Rep. signature _____

This section to be completed and signed by the customer

| | 1 Excellent | 2 Good | 3 Average | 4 Unsatisfactory | 5 Poor |
|--------------------------------------|----------------|-----------|--------------|---------------------|-----------|
| QUALITY ASSURANCE RATING | | | | | |
| Question: | | | | | |
| Quality of Product: Appearance | | | | | |
| Construction | | | | | |
| Quality of Service | | | | | |
| Value (Priced Fairly) | | | | | |
| Does it perform as claimed | | | | | |

The above described equipment and Operator's Manual have been received by me and I have been thoroughly instructed as to care, adjustments, safe operation and applicable warranty policy.

Date: _____ Owner's signature _____

NOTE! Make one copy each for the dealer's and owner's records. Mail original to Sweepster.

Comments: _____

Sweepster, Inc
 2800 N. Zeeb Rd.
 Dexter, MI 48130-9499
 800-456-7100
 fax 734-996-9014



SWEEPSTER ATTACHMENTS LLC

Limited 12 Month Warranty

Thank you for purchasing a Sweepster Attachments, LLC. product. Warranty protection is valid only when this Warranty Registration is completed and signed by the customer and dealer, and mailed to Sweepster Attachments, LLC. I hereby acknowledge that I have received a copy of the owners Limited Warranty and I accept the terms therein.

For a period of 12 months from the date of delivery of product to the original user, Sweepster Attachments, LLC. warrants each product to be free from manufacturing defects, subject to the limitations contained in this policy.

This warranty does not apply to defect caused, in whole or in part, by unreasonable use while in the possession of the user, including, but not limited to: failure to properly set up product; failure to provide reasonable and necessary maintenance; normal wear; routine tune ups or adjustments; improper handling or accidents; operation at speed or load conditions contrary to published specification; improper or insufficient lubrication; improper storage. This warranty is also not a guarantee that performance of each product will meet the expectations of the purchaser.

Sweepster Attachments, LLC. shall not be liable for consequential damages of any kind, including, but not limited to: consequential labor costs or transportation charges in connection with the replacement or repair of defective parts; lost time or expense which may have accrued because of said defects. In no event shall Sweepster Attachments, LLC.'s total liability hereunder exceed the product purchase price.

Sweepster Attachments, LLC. makes no warranty with respect to trade accessories or any component or accessory of the product which was not manufactured by Sweepster Attachments, LLC. including any purchased components of any kind. These are subject to the warranties of their respective manufacturers. The warranty will be considered void if the product or any part of the product is modified or repaired in any way not expressly authorized by Sweepster Attachments, LLC. or if closed components are disassembled prior to return. Closed components include, but are not limited to: gearboxes, hydraulic pumps, motors, cylinders, and actuators.

Our obligation under the warranty is expressly limited, at our option, to the replacement or repair at Sweepster Attachments, LLC or at a service facility designated by us, or such part or parts as inspection shall disclose to have been defective. We are not responsible for unauthorized repairs or replacements. Any implied or statutory warranties, including any warranty of merchantability or fitness for a particular purpose, are expressly limited to the duration of this written warranty. We make no other express or implied warranty, nor is anyone authorized to make any on our behalf. This warranty cannot be extended, broadened, or changed except in writing by an authorized officer of Sweepster Attachments, LLC.

Glossary – Terms & Abbreviations

BP – black pipe

brush head assembly – assembly that includes the core, hood and brush frame.

brush pattern – area of dirt removed from sweeping surface; with a properly adjusted sweeper, the pattern is the same width for the entire length.

caution – indicates a potentially hazardous situation which, if not avoided, may result in minor or moderate injury.

CV – constant velocity; usually refers to a drive shaft.

core – weldment that holds brush sections.

dirt deflector – kit made of metal and/or rubber parts designed to direct debris away from the operator.

electric lift – means of raising the brush head assembly electrically.

F – female.

FS – face seal.

gpm – gallons per minute.

HP – high pressure.

hood – brush shield.

hydraulic angle kit – means of swinging the brush head assembly hydraulically.

hydraulic lift – means of raising the brush head assembly hydraulically.

important – used for instructions when machine damage may be involved.

in. – inches.

kph – kilometers per hour.

lb – pounds.

left-hand – side that is on the left when facing the normal forward direction of travel of the machine.

lps – liters per second.

M – male.

mm – millimeters.

mph – miles per hour.

manual angle kit – means of swinging the brush head assembly mechanically.

mid pump unit – sweeper in which the pump is mounted on the mid PTO.

mounting assembly – portion of the sweeper that attaches to the prime mover; designed specifically for each prime mover.

NPT – national pipe thread.

note – indicates supplementary information.

OR – O-ring.

psi – pounds per square inch.

PTO – power take off; shaft on the prime mover used to drive attachments.

power pack – auxiliary hydraulic packaged used when prime mover hydraulics do not have enough flow available.

prime mover – refers to the tractor, truck, loader or other vehicle to which a sweeper is attached.

qty – quantity.

rpm – revolutions per minute.

rear pump unit – sweeper in which the pump is mounted on a rear PTO.

retainer – removable plate or set of plates that keeps sections on the core.

right-hand – side that is on the right when facing the normal forward direction of travel of the machine.

Glossary – Terms & Abbreviations

section – single brush wafer.

section set – replacement brush wafers.

spring-chain assembly – assembly that helps keep the sweeper in proper adjustment yet allows it to pivot up and down.

swing assembly – portion of the sweeper that allows the brush head assembly to angle.

stand kit – means of keeping the brush off the ground during storage.

tank assembly – assembly that includes the hydraulic reservoir, filter and fittings; may also incorporate valves.

transport chain – chain that supports the weight of the brush head assembly during transport between work sites and during adjustment of the spring-chain assemblies.

warning – indicates a potentially hazardous situation which, if not avoided, could result in death or serious injury.

windrow – pile of debris.

zerk – grease fitting.

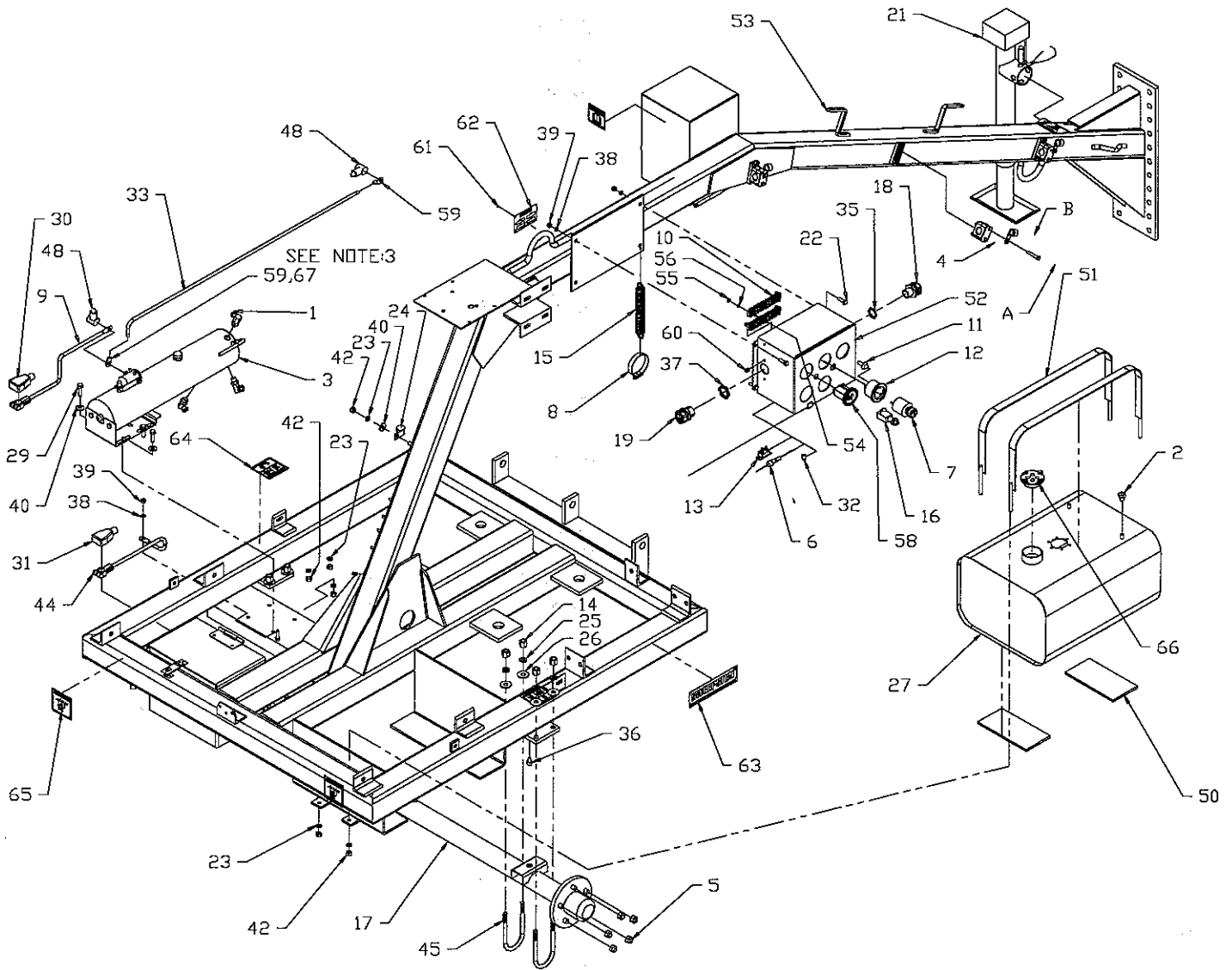
Appendix A – 2 Wheel Frame (Diesel Engine)

| Item | Part | Qty | Description | Item | Part | Qty | Description |
|------|----------|-------|--|------|---------|-----|--|
| 1. | 03-0045 | 3 | Fitting, Elbow, HP, 90°, 1/4MP, 1/4FPS | 35. | 07-2245 | 1 | Strain, Relief, Nut, 3/4 |
| 2. | 03-1309 | 1 | Fitting, Reducerbushing, BP, 1/4, 1/8 | 36. | 07-2480 | 2 | Screw, Socket Head, 3/8-16 x 1/2 |
| 3. | 03-1733 | 1 | System, Hydraulic, Monarch, Horizontal | 37. | 07-2500 | 1 | Nut, Lock, 1, F/Strain Relief |
| 4. | 03-3983 | 3 | Assembly, Parklamp, 1/2 Hose, W/Clamp | 38. | 07-3273 | 5 | Washer, Lock, Split, 5/16 |
| 5. | 07-0144 | 10 | Nut, Lug, 1/2-20 | 39. | 07-3278 | 5 | Nut, Hex, 5/16-18 |
| 6. | 07-0351B | 1 | Fuse, Assembly, In Line | 40. | 07-3279 | 4 | Washer, Flat, 3/8 |
| 7. | 07-1276 | 1 | Switch, Ignition, HD | 42. | 07-3654 | 8 | Nut, Hex, 3/8-16 |
| 8. | 07-0787 | 1 | Clamp, Screw, 1 13/16-2 3/4 | 44. | 07-5142 | 1 | Cable, Battery, 3/8 Eye, Negative Post |
| 9. | 07-0818 | 1 | Cable, Battery, 3/8 Eye & Post | 45. | 07-5158 | 4 | U-bolt, 1/2-20 x 5 1/2 x 2 7/16 |
| 10. | 07-0836 | 2 | Terminal, Block, 12 Post | 48. | 07-5715 | 2 | Boot, Battery, Eye |
| 11. | 07-0904 | 1 | Light, Instrument | 50. | 13-2072 | 1 | Rubber, 1/8 x 8 1/2 Square, W/Cut |
| 12. | 07-0954 | 1 | Gauge, Voltmeter | 51. | 13-2285 | 2 | Weld, Strap, Tank, Fuel |
| 13. | 07-5071 | 1 | Circuit Breaker, 30 Amp, Reset | 52. | 13-2309 | 1 | Box, Electrical, 6 x 8 x 10, W/Holes |
| 14. | 07-1093 | 8 | Nut, Hex, 1/2-20 | 53. | 13-2773 | 1 | Weld, Frame, Main, H-Diesel, Long Base |
| 15. | 07-1140 | 1 | Spring, Tension, 1 1/16 x 7 3/4 | 54. | 07-1904 | 4 | Screw, Round, Head, Phillips, 8-32 x 3/4 |
| 16. | 07-1305 | 2 | Switch, Starter, Universal | 55. | 07-1906 | 4 | Hex, 8-32 |
| 17. | 07-1353 | 1 | Axle, Assembly, Rear | 56. | 07-1907 | 4 | Washer, Lock, 8 |
| 18. | 07-1477 | 1 | Strain, Relief, 3/4 | 57. | 50-0574 | 1 | Warning, Read Manual |
| 19. | 07-1598 | 1 | Strain, Relief, 1 | 58. | 07-0805 | 1 | Gauge, Hour Meter, Non-Illuminated |
| 21. | 07-1704 | 1 | Jack | 59. | 07-2022 | 2 | Terminal, Ring, 3/8 |
| 22. | 07-1714 | 4 | Screw, Cap, 5/16-18 x 1 | 60. | 09-0217 | 1 | Bushing, Nylon, Open/Closed, .375 x .266 |
| 23. | 07-1718 | 6 | Washer, Lock, Split, 3/8 | 61. | 07-3624 | 4 | Tack, Metal, 31 Series |
| 24. | 07-1734 | 1 | Clamp, Rubber Coat, 1 | 62. | 50-0004 | 1 | Label, Plate, Serial Number |
| 25. | 07-1762 | 8 | Washer, Lock, Split, 1/2 | 63. | 50-0186 | 2 | Label, Logo, Sweepster, Black |
| 26. | 07-1763 | 8 | Washer, Flat, 1/2 | 64. | 50-0575 | 2 | Label, Warning, Fenders |
| 27. | 07-1869 | 1 | Tank, Fuel, 12 Gallon | 65. | 50-0576 | 3 | Label, Tie Down Point |
| 29. | 07-2116 | 4 | Screw, Cap, 3/8-16 x 1 1/4 | 66. | 07-1535 | 1 | Cap, Fuel, Tank, 2 1/8-12 |
| 30. | 07-2119 | 1 | Boot, Battery Post, Red | 67. | 07-2615 | .05 | Tape, Electric |
| 31. | 07-2120 | 1 | Boot, Battery, Post, Black | A. | 07-3640 | 4 | Screw, Cap, 1/4-20 x 1 3/4 |
| 32. | 07-2158 | 1 | Plug, Rubber, 1 | B. | 07-1177 | 4 | Clamp, Rubber, Coat, 1/2 |
| 33. | 07-2171 | 40 In | Cable, Battery, Red | | | | |

NOTE – Alphabetical call-outs for reference only.

Appendix A – 2 Wheel Frame (Diesel Engine)

Assembly No. 11-4253



Appendix A – Brush Head (Diesel Engine)

| Item | Part | Qty | Description |
|------|-----------|-----|---|
| 1. | 01-0426 | 1 | Weld, Core, Section, 8 |
| 2. | 03-0400 | 2 | Hub, Taper, 16170 |
| 3. | 03-0784 | 8 | Clamp, Hydraulic, 2 Position |
| 4. | 03-0788 | 4 | Nut, Stake, Socket Head |
| 5. | 03-1826 | 2 | Motor, Hydraulic, 18 CI |
| 6. | 03-1931 | 8 | Bushing, Split, 3/4 Tube |
| 7. | 03-1940 | 2 | Fitting, Tee, HP, 3/4MFS, 3/4MFS |
| 8. | 03-1967-8 | 4 | Assembly, Tube, Brush Head, 47 1/4 |
| 9. | 03-1968 | 4 | Hose, 5/8 x 16.125, 5/8FFS, 5/8FFS, 90° |
| 10. | 03-2030 | 4 | Fitting, Elbow, HP, 45°, 7/8MOR, 5/8MFS |
| 11. | 07-0034 | 10 | Screw, Cap, 7/16-20 x 1 |
| 12. | 07-0108 | 4 | Bolt, Carriage, 3/8 x 3/4 |
| 13. | 07-0119 | 7 | Bolt, Carriage, 5/8 x 1 3/4 |
| 14. | 07-0169 | 10 | Washer, Lock, Split, 7/16 |
| 15. | 07-0210 | 2 | Clip, Hairpin, 14 Gauge x 1 3/4 |
| 16. | 07-0216 | 1 | Spring, Tension, 1.87 x 10.31 |
| 17. | 07-0246 | 1 | Chain, 1/4, 13 Links |
| 18. | 07-1294 | 7 | Nut, Hex, 5/8-11 |
| 19. | 07-1714 | 8 | Screw, Cap, 5/16-18 x 1 |
| 20. | 07-1717 | 6 | Bolt, Carriage, 3/8-16 x 1 1/4 |
| 21. | 07-1718 | 10 | Washer, Lock, Split, 3/8 |
| 22. | 07-1872 | 7 | Washer, Lock, Split, 5/8 |
| 23. | 07-2681 | 2 | Fitting, Zerk, Drive-In, 1/4 |
| 24. | 07-3120 | 6 | Washer, Flat, 5/8 |
| 25. | 07-3273 | 12 | Washer, Lock, Split, 5/16 |
| 26. | 07-3275 | 6 | Washer, Flat, 5/16 |
| 27. | 07-3279 | 11 | Washer, Flat, 3/8 |
| 28. | 07-3436 | 4 | Screw, Cap, 5/16-18 x 3/4 |
| 29. | 07-3654 | 10 | Nut, Hex, 3/8-16 |
| 30. | 11-0773 | 2 | Shield, Side, Hood |
| 31. | 11-1149 | 1 | Ring, End, W/Holes |
| 32. | 11-1606 | 2 | Bracket, Hood, W/Bend |
| 33. | 11-1665 | 1 | Weld, Frame, Brush |
| 34. | 11-1837 | 2 | Weld, Mounting, Motor, TRW |
| 35. | 13-1867 | 1 | Weld, Hood, 180° |
| 36. | 28-1519 | 1 | Assembly, Safety, Label, Brush Head |
| 37. | 50-0253 | 1 | Label, Logo, Sweepster, Black |

Appendix A – Brush Head (Diesel Engine)

Assembly No. 11-4287

