

Angle Sweeper, S26 Series, CTH

Angle Sweeper, S26 Series, CTH

S26 Series Angle Sweepers

4' Angle Sweeper - S26 Series

4' Frame Assembly - 28-10305-4	1
4' Core Assembly - 28-10084-4	5
Motor Assembly 14.5 CID - 8-15 GPM	7
Motor Assembly 17.1 CID - 10-18 GPM	9
Bearing Assembly - 28-10302	11

5' Angle Sweeper - S26 Series

5' Frame Assembly - 28-10305-5	13
5' Core Assembly - 28-10084-5	17
Motor Assembly 14.5 CID - 8-15 GPM	19
Motor Assembly 17.1 CID - 10-18 GPM	21
Bearing Assembly - 28-10302	23

6' Angle Sweeper - S26 Series

6' Frame Assembly - 28-10305-6	25
6' Core Assembly - 28-10084-6	29
Motor Assembly 14.5 CID - 8-15 GPM	31
Motor Assembly 17.1 CID - 10-18 GPM	33
Bearing Assembly - 28-10302	35

Angle and Swing Assemblies

11-5819 Manual Angle Assembly	37
11-4191 Hydraulic Angle Assembly No Valve	39
11-5433 Hydraulic Angle Assembly with Electric Valve	41
11-5310 Hydraulic Angle Assembly with Electric Valve	43
Swing Assembly - 11-17174	45
Swing Assembly - 11-17283	47
Swing Assembly with Hydraulic Lift - 11-17410	49
Swing Assembly with Hydraulic Lift - 11-17432	51
Swing Assembly with Power Pack - 11-17176	53

Hydraulic Tank Assemblies

Front Mounted Tank Assembly	55
Front Mounted Tank Assembly	57
Front Mounted Tank Assembly	59

Options

Dirt Deflectors - Serial Number 0713001 and UP

4' Deflector Kit - 28-10162-4	61
5' Deflector Kit - 28-10162-5	63
6" Deflector Kit - 28-10162-6	65
7" Deflector Kit - 28-10162-7	67

Dirt Deflectors - Serial Number 0713001 and DOWN

4' Deflector Kit - 28-9757	69
5' Deflector Kit - 28-9756	71
6" Deflector Kit - 28-9752	73
7" Deflector Kit - 28-9763	75

Side Mount Caster Wheels - Serial Number 0713001 and UP

28-10498 Caster Wheel Kit - Side Mount 77
28-10499 Caster Wheel Kit - Side Mount 79

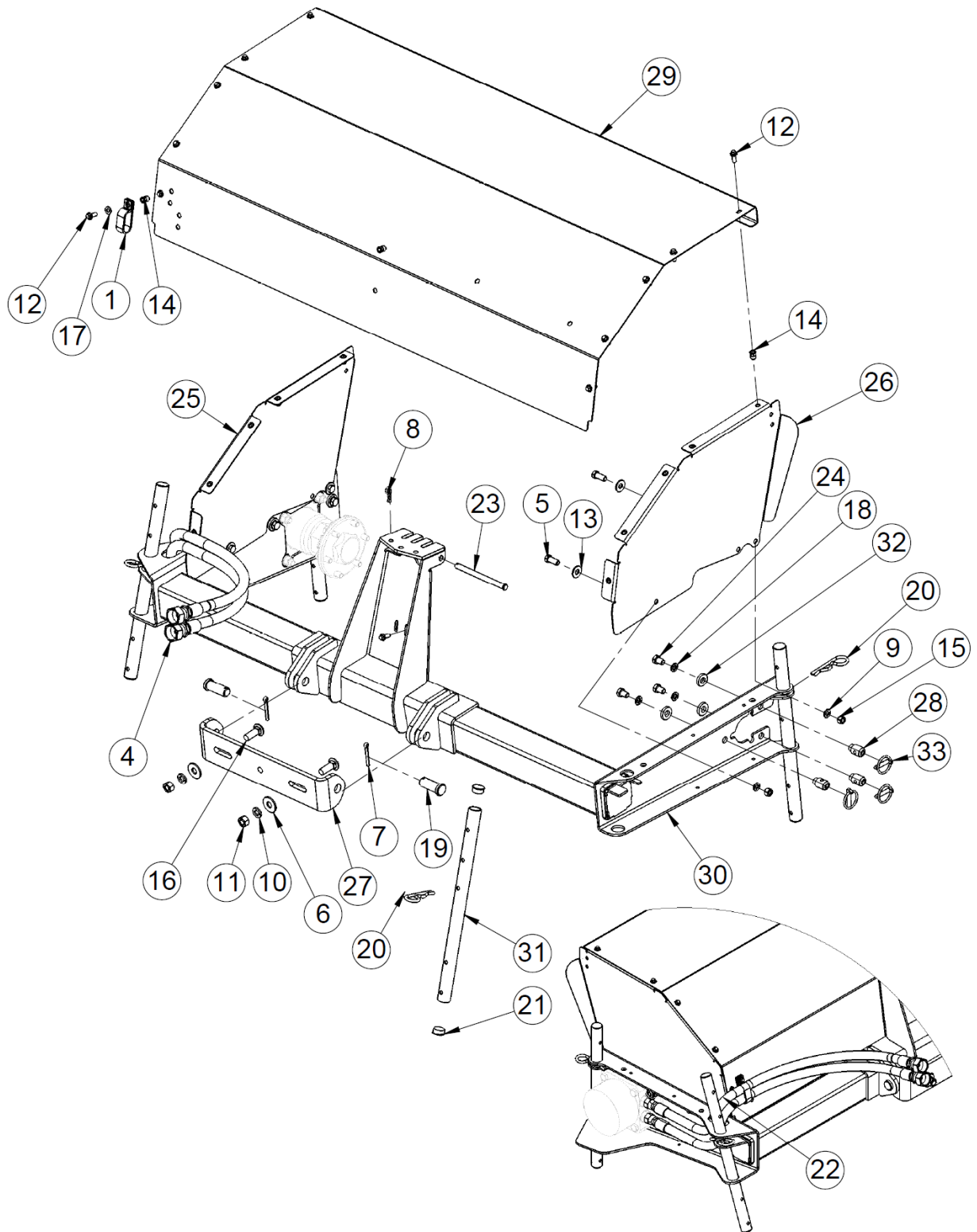
Side Mount Caster Wheels - Serial Number 0713001 and DOWN

28-9890 Caster Wheel Kit - Side Mount 81
28-9891 Caster Wheel Kit - Side Mount 83

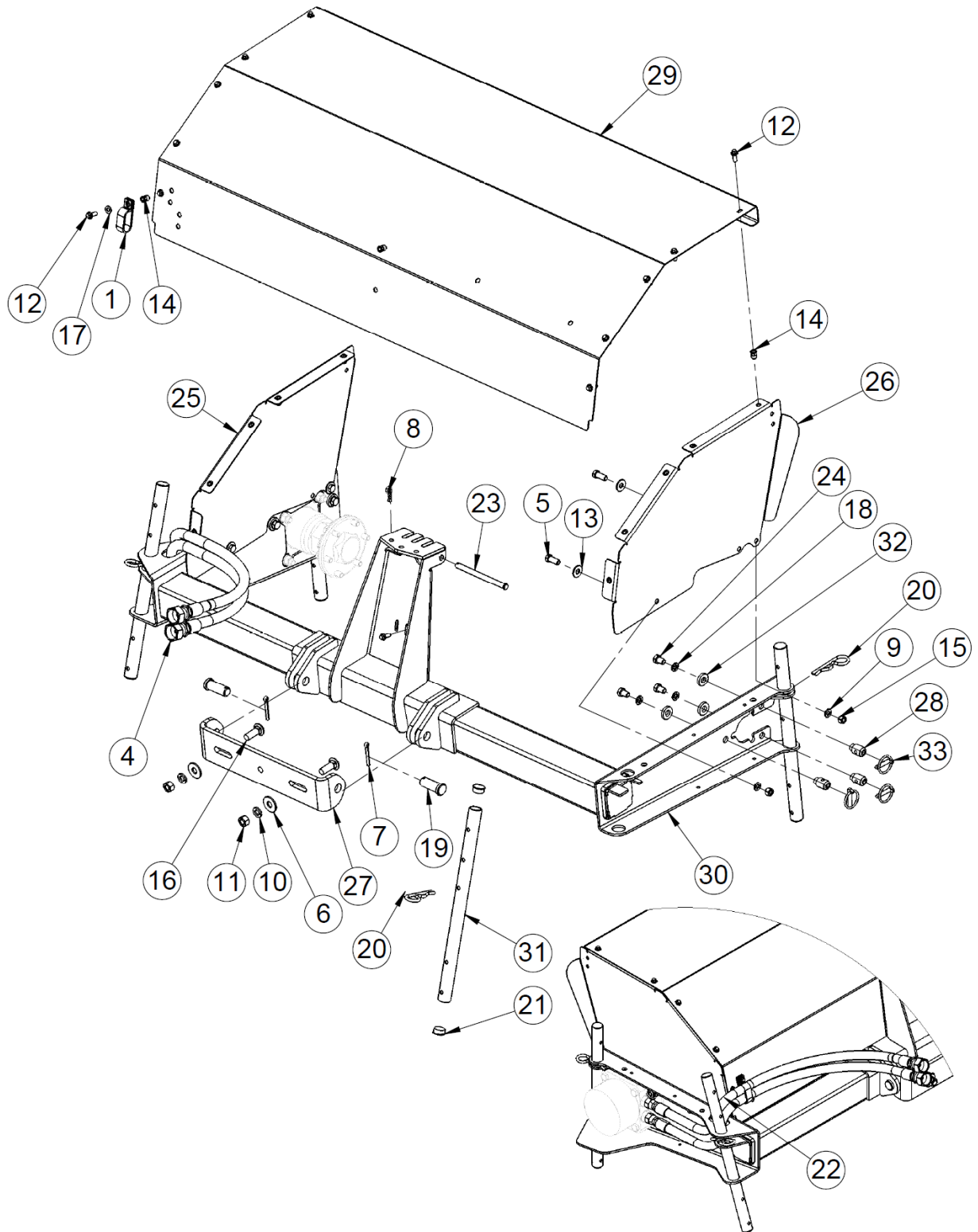
Replacement Decals

Verbiage Decals 85

4' Angle Sweeper - S26 Series

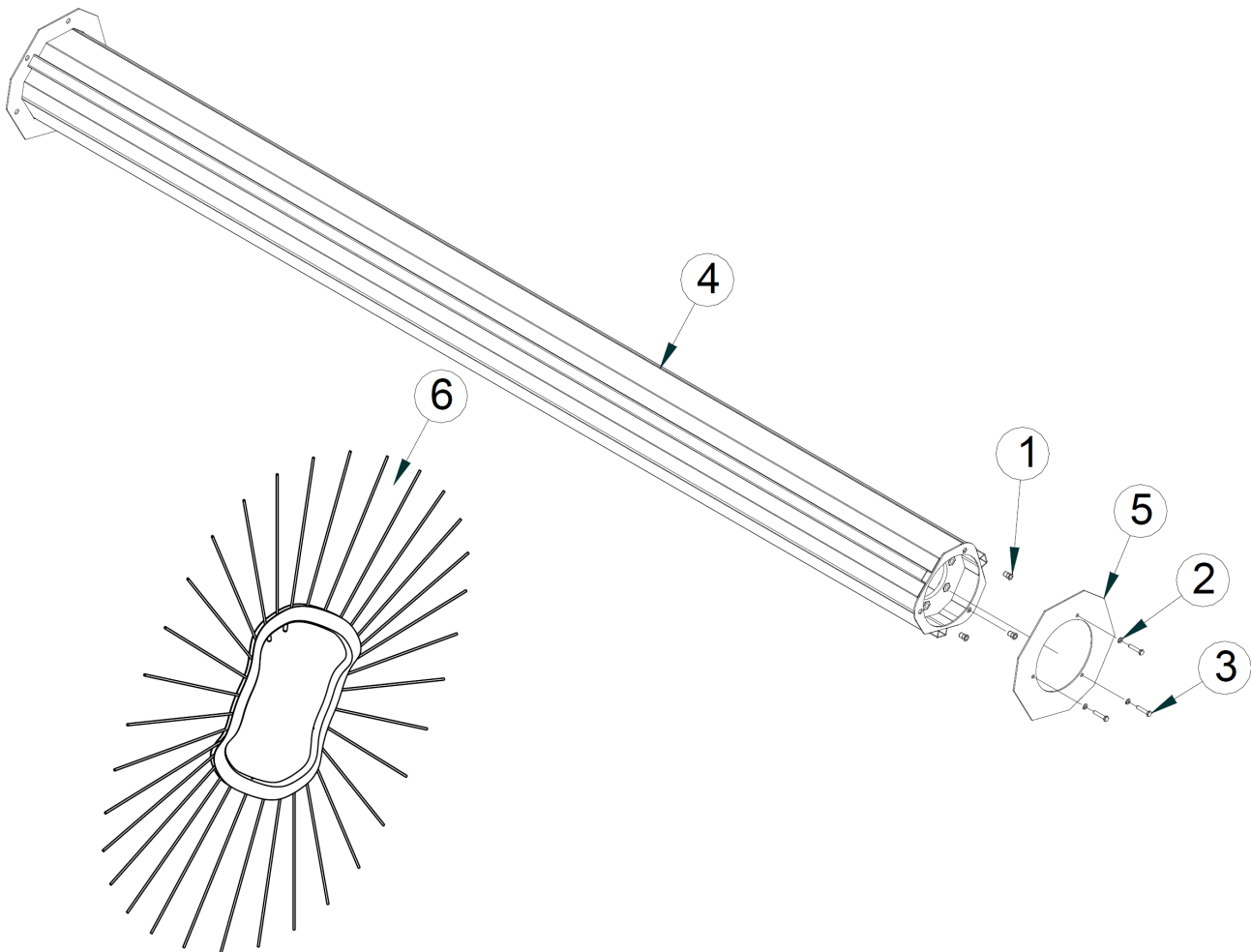


Item	Qty	Part No.	Name	Additional Info
1	1	03-2490	Double Hose Clamp	
4	2	03-5620	Hose .50" X 72" TC 8FFS-12FFS	
5	4	07-0018	.38" UNC X 1.00" Hex Capscrew - GR8	
6	2	07-0156	.50" Flat Washer - GR8	
7	2	07-0206	Cotter Pin .19" X 2.00" - GR2	
8	1	07-0209	Hair Pin - 1.38"	
9	4	07-1718	.38" Lock Washer	
10	2	07-1762	.50" Lock Washer	
11	2	07-1764	.50" UNC Hex Nut - GR8	
12	12	07-2952	M6-1.00 X 20mm Hex Flange Head Capscrew	
13	4	07-3279	.38" Flat Washer - GR8	
14	12	07-3617	M6-1.00 Insert Nut	
15	4	07-3654	.38" UNC Hex Nut - GR8	
16	2	07-3708	.50" UNC X 1.50" Carriage Bolt	
17	1	07-3736	M8 Flat Washer - CL8.8	
18	6	07-3747	M10 Lock Washer	
19	2	07-4046	Clevis Pin .75" X 2.00"	
20	4	07-4522	Hair Pin	
21	8	07-4523	Cap	
22	1.5ft	07-4539	Hose Sleeve - Bulk	
23	1	07-6488	Clevis Pin .38" X 5.50"	
24	6	07-6769	M10-1.5 X 16mm Hex Capscrew - CL10.9	
25	1	13-13457	Side Hood - Left	
26	1	13-13458	Side Hood - Right	
27	1	13-13525	Mounting Plate	
28	6	13-14083	Motor Mounting Stud	
29	1	13-16178-4	Hood - 4'	
30	1	13-16638-4	Brush Head Frame - 4'	
31	4	13-9818	Stand	
31	4	13-17877	Heavy Duty Stand	(Optional)
32	6	P852608	.50" Hard Washer	



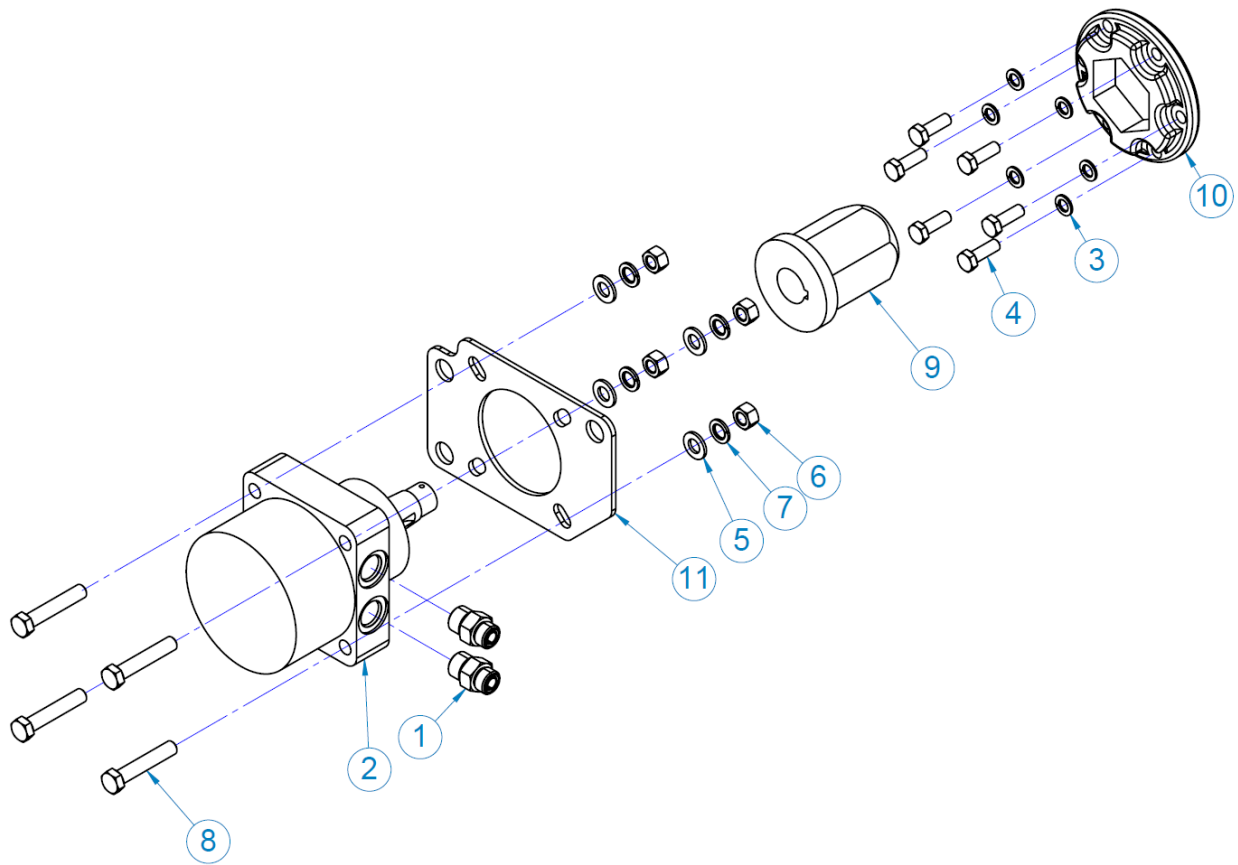
Item	Qty	Part No.	Name	Additional Info
33	6	RHW8068-0000	Lynch Pin - .25"	

4' Angle Sweeper - S26 Series



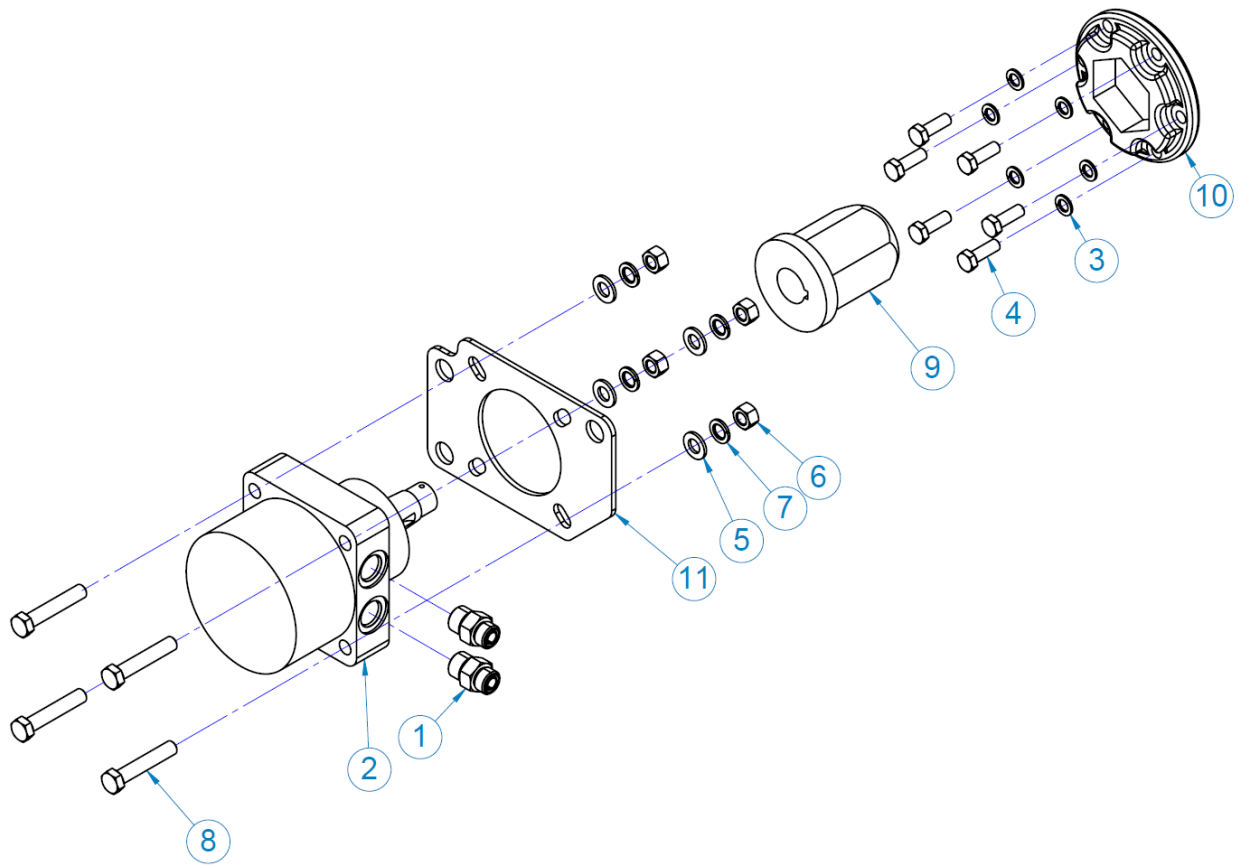
Item	Qty	Part No.	Name	Additional Info
1	3	07-3617	M6-1.00 Insert Nut	
2	3	07-3730	M6 Lock Washer	
3	3	07-3731	M6-1.0 X 30MM Hex Capscrew CL10.9	
4	1	13-15657-4	Core - 4'	(Requires 26 Brushes)
5	1	13-15662	Retainer Plate	
6	-	01-5012	30" Brush - Mixed	Order Quantity Needed
6	-	01-0872	26" Brush Kit - Poly	Includes 26 Poly Brushes

4' Angle Sweeper - S26 Series



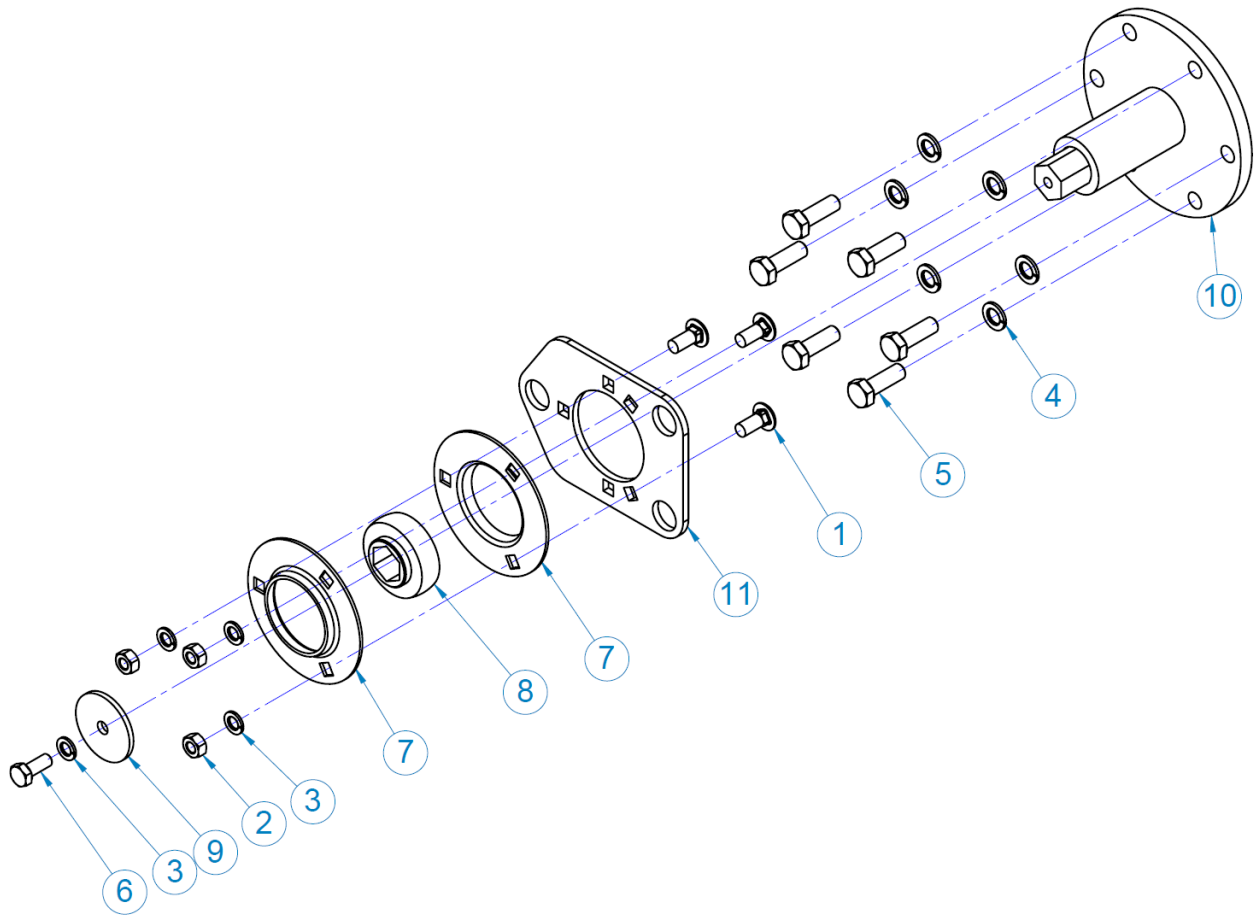
Item	Qty	Part No.	Name	Additional Info
1	2	03-3481	Fitting 10MBo-8MFS	
2		REF	SERIAL NUMBER REQUIRED	
2	1	03-6445	Hydraulic Motor 14.5 CID	Serial Number 12334001 & Up
2.1		03-6469	Replacement Seal Kit	
2.1		07-7529	Key	
2.1		07-8215	Motor Shaft Lock Nut	
2	1	03-5614	Hydraulic Motor 14.2 CID	Serial Number 1233199 & Down
2.2		03-5503	Replacement Seal Kit	
2.2		07-7286	Key	
3	6	07-3747	M10 Lock Washer	
4	6	07-3749	M10-1.5 X 30mm Hex Capscrew - CL10.9	
5	4	07-3754	M12 Flat Washer - CL10.9	
6	4	07-3755	M12-1.75 Hex Nut - CL10.9	
7	4	07-3756	M12 Lock Washer	
8	4	07-6683	M12-1.75 X 65mm Hex Capscrew - CL10.9	
9		REF	SERIAL NUMBER REQUIRED	
9	1	13-18135	Hub Drive - Hex	Serial Number 1234001 & Up
9	1	13-15206	Hex Hub	Serial Number 1233199 & Down
10	1	13-16225	2.50" Hex Receiver Plate	
11	1	13-17016	Motor Mounting Plate	

4' Angle Sweeper - S26 Series



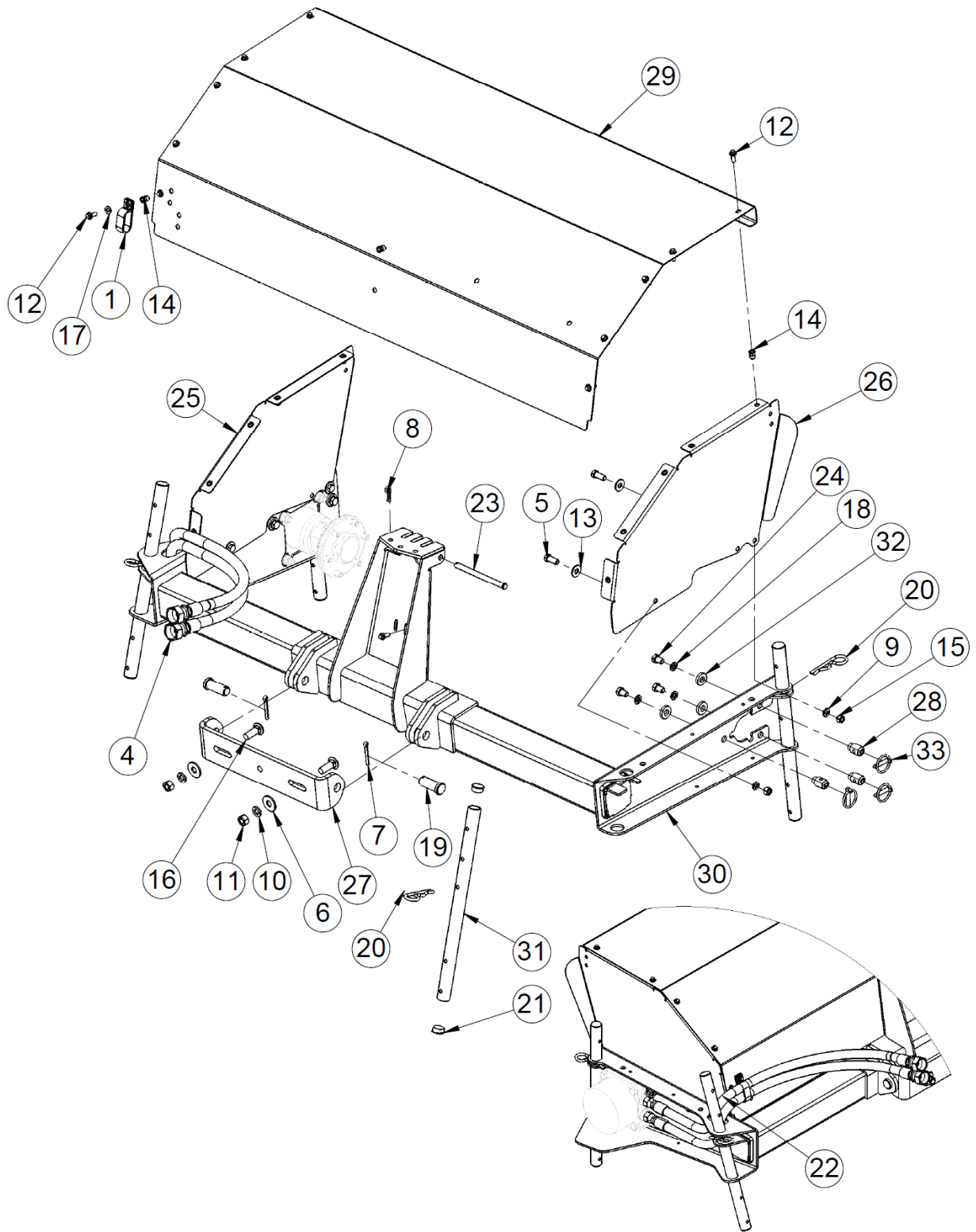
Item	Qty	Part No.	Name	Additional Info
1	2	03-3481	Fitting 10MBo-8MFS	
2		REF	SERIAL NUMBER REQUIRED	
2	1	03-6444	Hydraulic Motor 17.1 CID	Serial Number 1234001 & Up
2.1		07-2256	Replacement Seal Kit	
2.1		07-7529	Key	
2.1		07-8215	Motor Shaft Lock Nut	
2	1	03-5612	Hydraulic Motor 18.3 CID	Serial Number 1233199 & Down
2.2		03-5503	Replacement Seal Kit	
2.2		07-7286	Key	
2.2		07-4568	Motor Shaft Lock Nut	
3	6	07-3747	M10 Lock Washer	
4	6	07-3749	M10-1.5 X 30mm Hex Capscrew - CL10.9	
5	4	07-3754	M12 Flat Washer - CL10.9	
6	4	07-3755	M12-1.75 Hex Nut - CL10.9	
7	4	07-3756	M12 Lock Washer	
8	4	07-6683	M12-1.75 X 65mm Hex Capscrew - CL10.9	
9		REF	SERIAL NUMBER REQUIRED	
9	1	13-18135	Hub Drive - Hex	Serial Number 1234001 & Up
9	1	13-15206	Hex Hub	Serial Number 1233199 & Down
10	1	13-16225	2.50" Hex Receiver Plate	
11	1	13-17016	Motor Mounting Plate	

4' Angle Sweeper - S26 Series

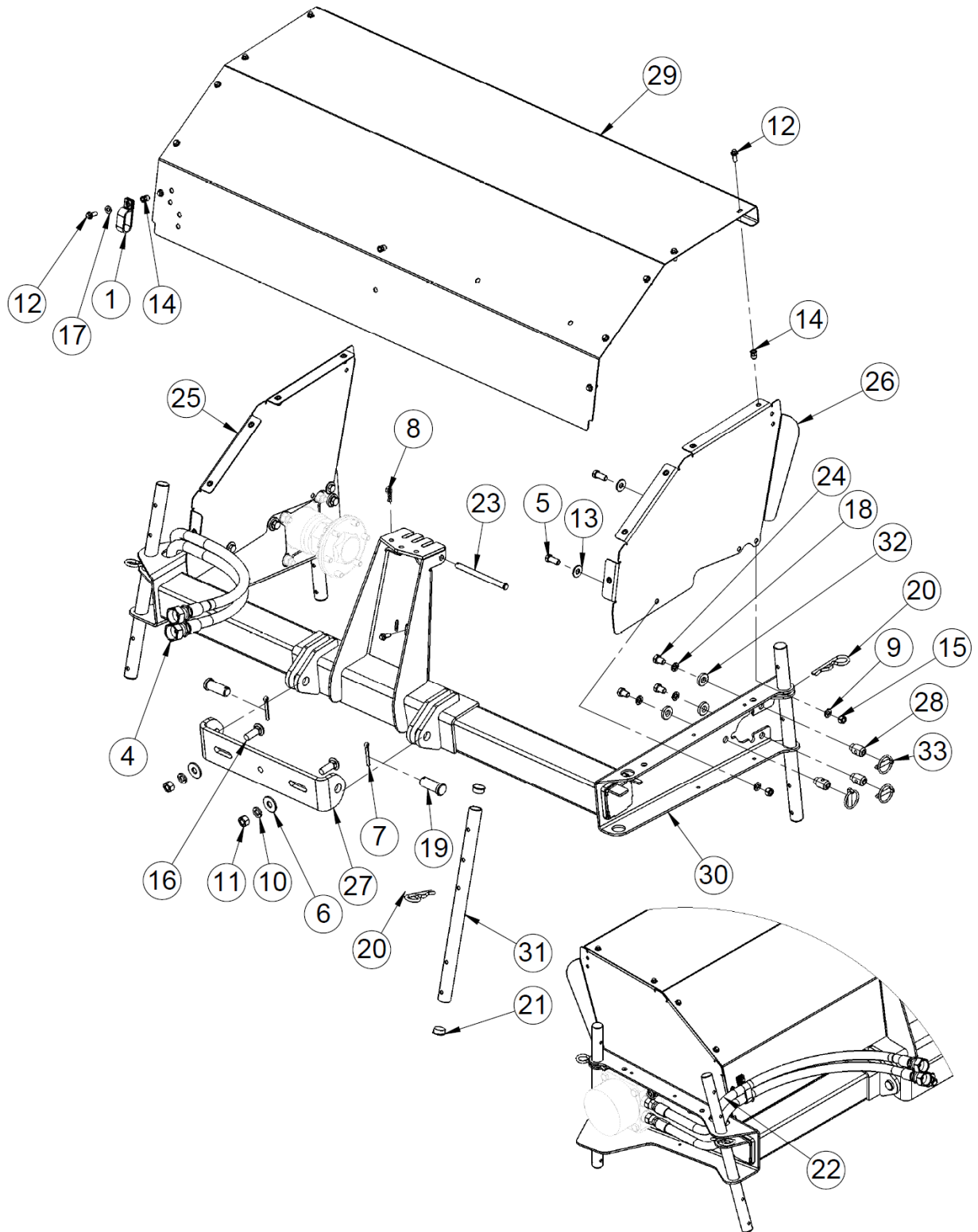


Item	Qty	Part No.	Name	Additional Info
REF	-	28-10302	Bearing Assembly	
1	3	07-2950	M8-1.25 X 20mm Carriage Bolt - CL8.8	
2	3	07-3737	M8-1.25 Hex Nut - CL10	
3	4	07-3738	M8 Lock Washer	
4	6	07-3747	M10 Lock Washer	
5	6	07-3749	M10-1.5 X 30mm Hex Capscrew - CL10.9	
6	1	07-3777	M8-1.25 X 20mm Hex Capscrew - CL10.9	
7	2	08-0008	Flange Bearing - 3 Bolt	
8	1	08-0037	Bearing	
9	1	13-11903	.34" Flat Washer	
10	1	13-16923	Hex Shaft Idler - Bolt-On	
11	1	13-17015	Bearing Mounting Plate	

5' Angle Sweeper - S26 Series

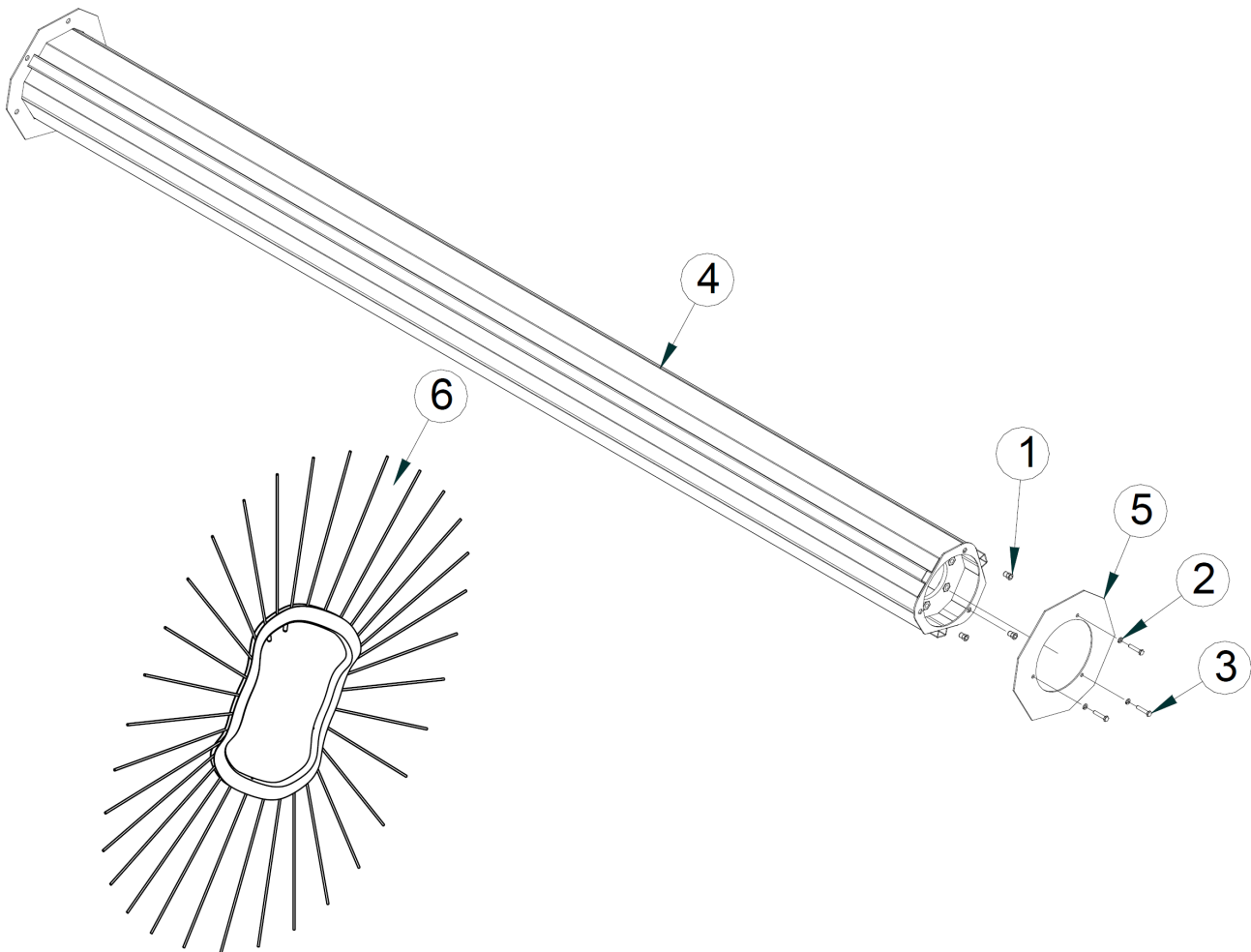


Item	Qty	Part No.	Name	Additional Info
1	1	03-2490	Double Hose Clamp	
4	2	03-5620	Hose .50" X 72" TC 8FFS-12FFS	
5	4	07-0018	.38" UNC X 1.00" Hex Capscrew - GR8	
6	2	07-0156	.50" Flat Washer - GR8	
7	2	07-0206	Cotter Pin .19" X 2.00" - GR2	
8	1	07-0209	Hair Pin - 1.38"	
9	4	07-1718	.38" Lock Washer	
10	2	07-1762	.50" Lock Washer	
11	2	07-1764	.50" UNC Hex Nut - GR8	
12	12	07-2952	M6-1.00 X 20mm Hex Flange Head Capscrew	
13	4	07-3279	.38" Flat Washer - GR8	
14	12	07-3617	M6-1.00 Insert Nut	
15	4	07-3654	.38" UNC Hex Nut - GR8	
16	2	07-3708	.50" UNC X 1.50" Carriage Bolt	
17	1	07-3736	M8 Flat Washer - CL8.8	
18	6	07-3747	M10 Lock Washer	
19	2	07-4046	Clevis Pin .75" X 2.00"	
20	4	07-4522	Hair Pin	
21	8	07-4523	Cap	
22	1.5ft	07-4539	Hose Sleeve - Bulk	
23	1	07-6488	Clevis Pin .38" X 5.50"	
24	6	07-6769	M10-1.5 X 16mm Hex Capscrew - CL10.9	
25	1	13-13457	Side Hood - Left	
26	1	13-13458	Side Hood - Right	
27	1	13-13525	Mounting Plate	
28	6	13-14083P	Motor Mounting Stud	
29	1	13-16178-5	Hood - 5'	
30	1	13-16638-5	Brush Head Frame - 5'	
31	4	13-9818	Stand	
31	4	13-17877	Heavy Duty Stand	(Optional)
32	6	P852608	.50" Hard Washer	



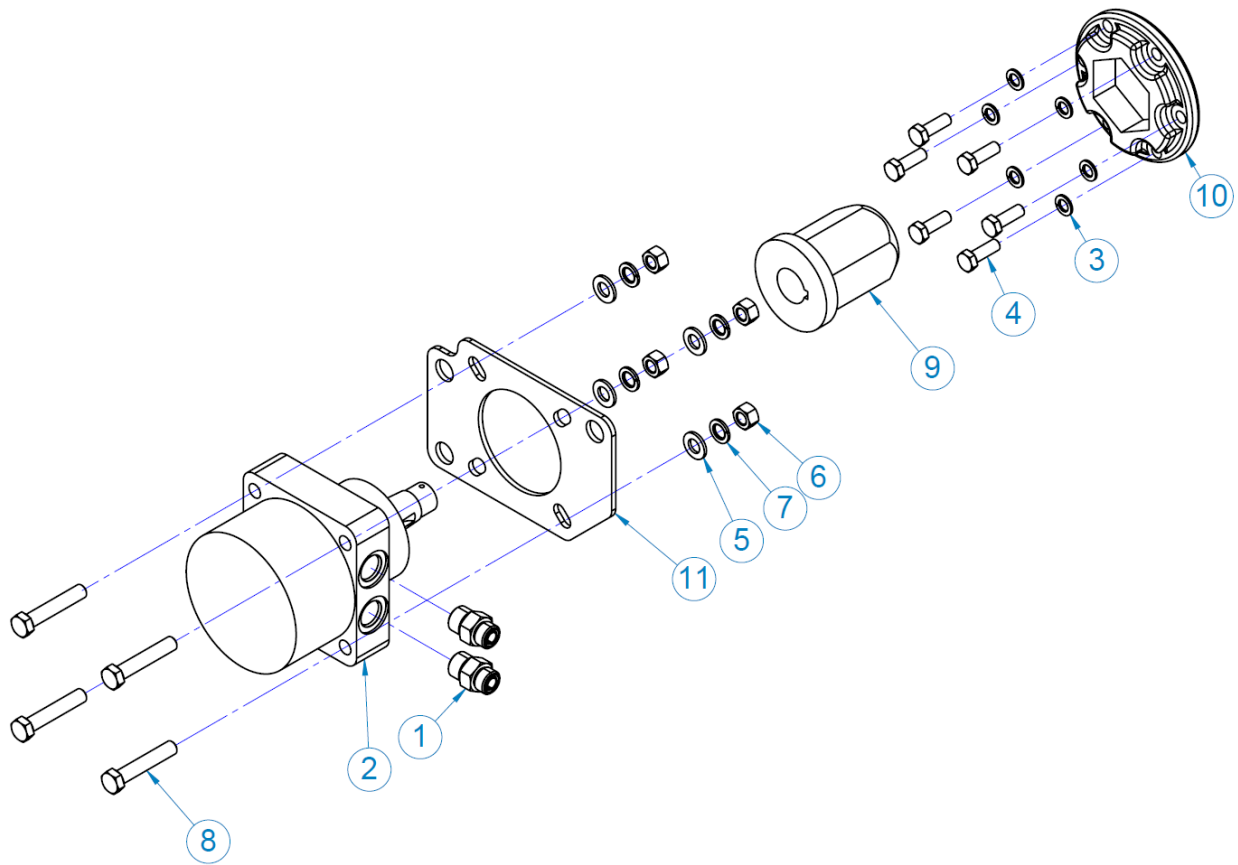
Item	Qty	Part No.	Name	Additional Info
33	6	RHW8068-0000	Lynch Pin - .25"	

5' Angle Sweeper - S26 Series



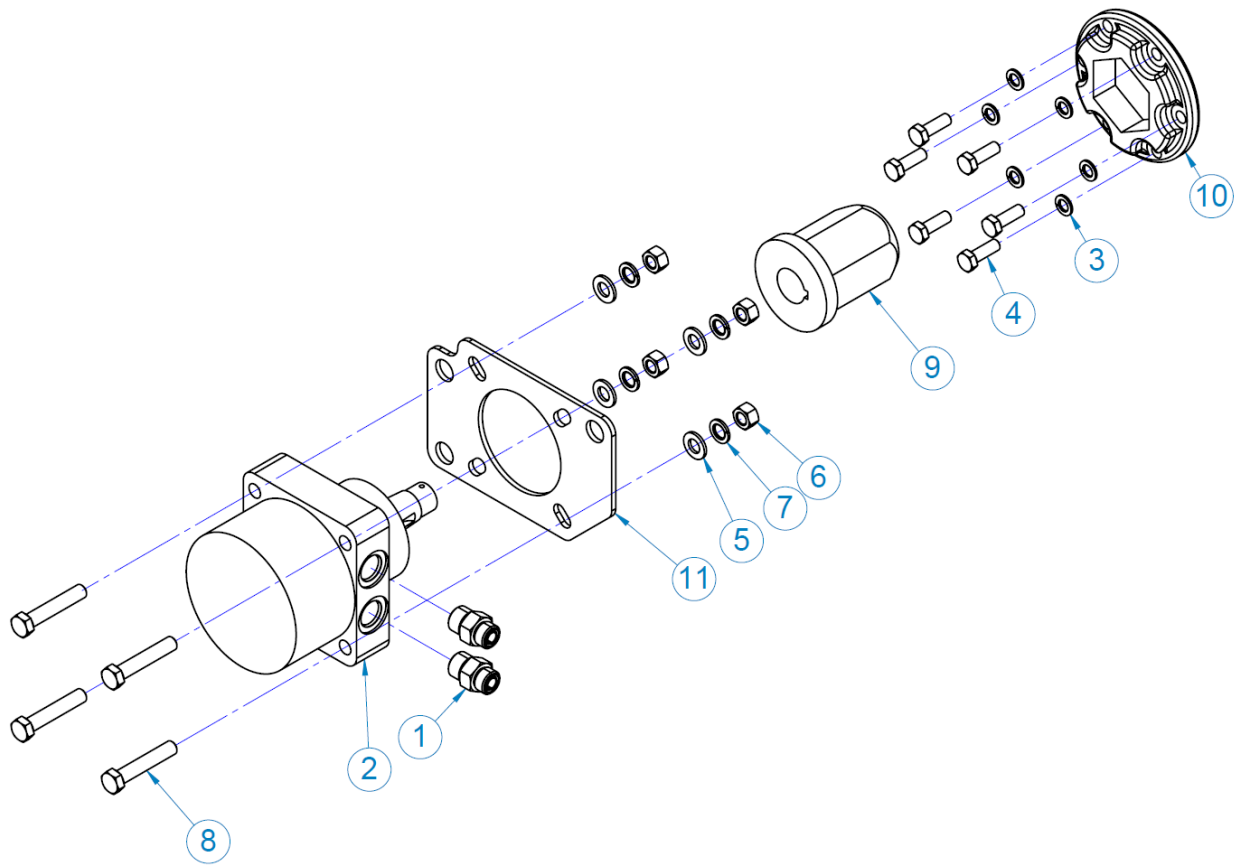
Item	Qty	Part No.	Name	Additional Info
1	3	07-3617	M6-1.00 Insert Nut	
2	3	07-3730	M6 Lock Washer	
3	3	07-3731	M6-1.0 X 30MM Hex Capscrew CL10.9	
4	1	13-15657-5	Core - 5'	
5	1	13-15662	Retainer Plate	
6	34	01-5012	30" Brush - Mixed	
6	34	01-5011	30" Brush - Poly	

5' Angle Sweeper - S26 Series



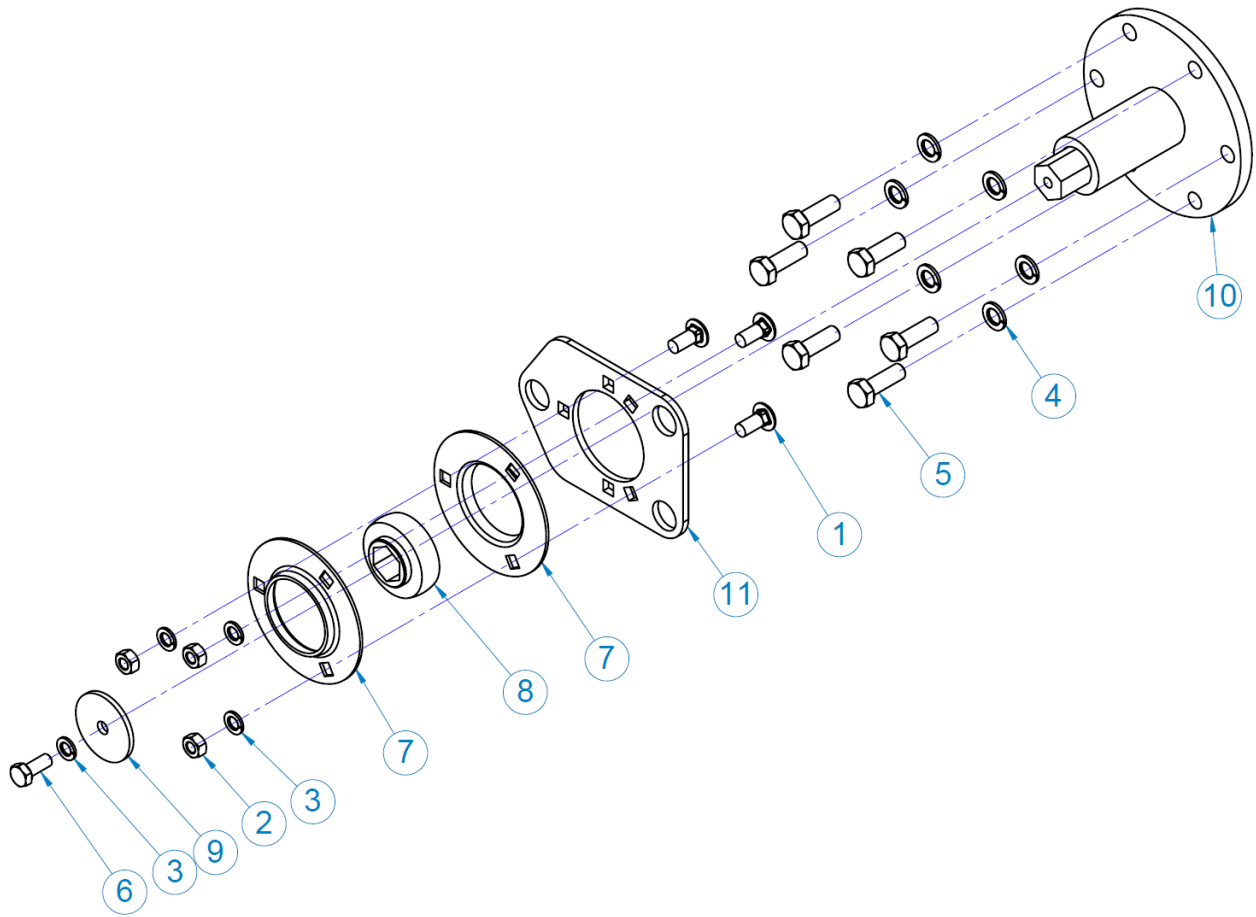
Item	Qty	Part No.	Name	Additional Info
1	2	03-3481	Fitting 10MBo-8MFS	
2		REF	SERIAL NUMBER REQUIRED	
2	1	03-6445	Hydraulic Motor 14.5 CID	Serial Number 12334001 & Up
2.1		03-6469	Replacement Seal Kit	
2.1		07-7529	Key	
2.1		07-8215	Motor Shaft Lock Nut	
2	1	03-5614	Hydraulic Motor 14.2 CID	Serial Number 1233199 & Down
2.2		03-5503	Replacement Seal Kit	
2.2		07-7286	Key	
3	6	07-3747	M10 Lock Washer	
4	6	07-3749	M10-1.5 X 30mm Hex Capscrew - CL10.9	
5	4	07-3754	M12 Flat Washer - CL10.9	
6	4	07-3755	M12-1.75 Hex Nut - CL10.9	
7	4	07-3756	M12 Lock Washer	
8	4	07-6683	M12-1.75 X 65mm Hex Capscrew - CL10.9	
9		REF	SERIAL NUMBER REQUIRED	
9	1	13-18135	Hub Drive - Hex	Serial Number 1234001 & Up
9	1	13-15206	Hex Hub	Serial Number 1233199 & Down
10	1	13-16225	2.50" Hex Receiver Plate	
11	1	13-17016	Motor Mounting Plate	

5' Angle Sweeper - S26 Series



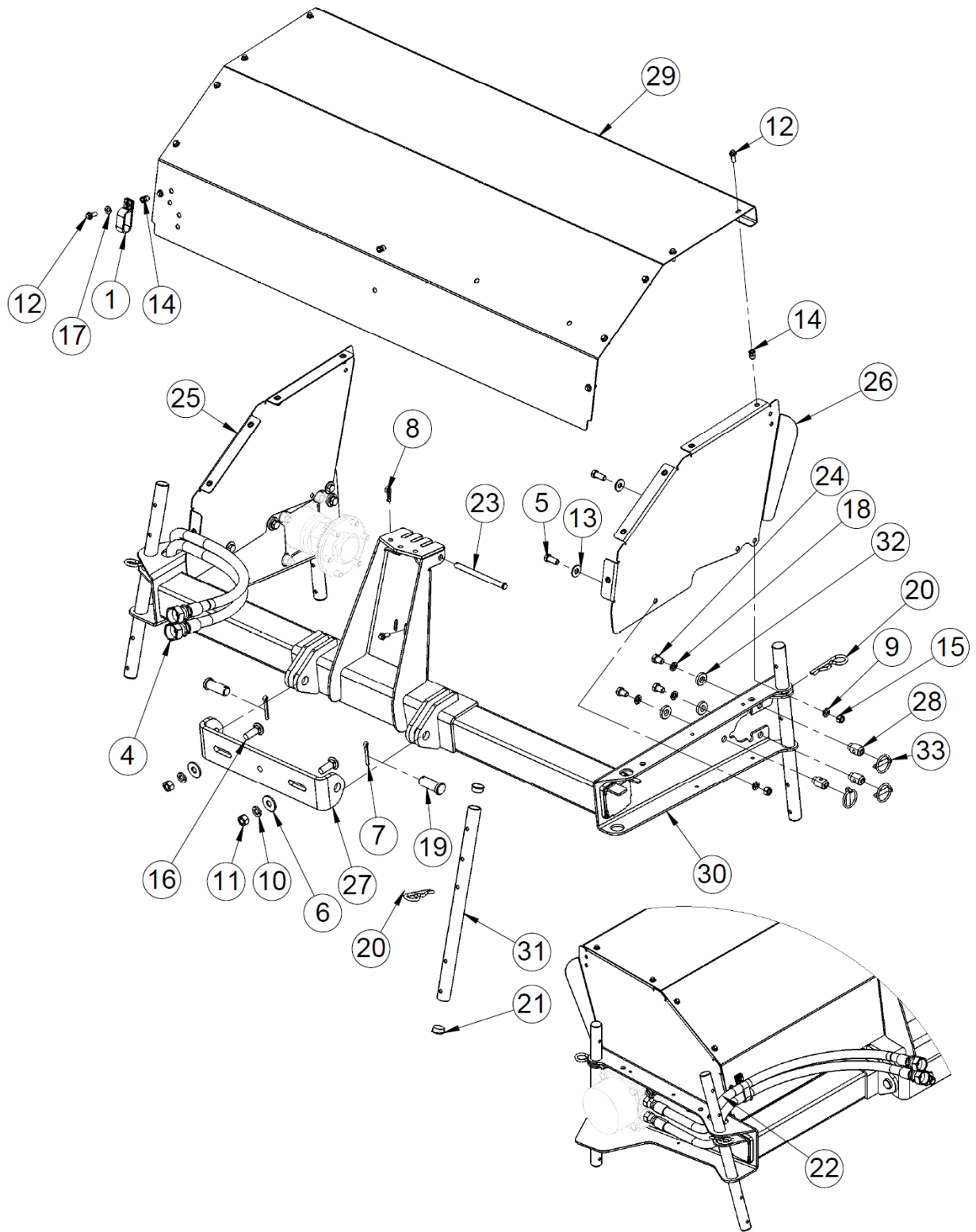
Item	Qty	Part No.	Name	Additional Info
1	2	03-3481	Fitting 10MBo-8MFS	
2		REF	SERIAL NUMBER REQUIRED	
2	1	03-6444	Hydraulic Motor 17.1 CID	Serial Number 1234001 & Up
2.1		07-2256	Replacement Seal Kit	
2.1		07-7529	Key	
2.1		07-8215	Motor Shaft Lock Nut	
2	1	03-5612	Hydraulic Motor 18.3 CID	Serial Number 1233199 & Down
2.2		03-5503	Replacement Seal Kit	
2.2		07-7286	Key	
2.2		07-4568	Motor Shaft Lock Nut	
3	6	07-3747	M10 Lock Washer	
4	6	07-3749	M10-1.5 X 30mm Hex Capscrew - CL10.9	
5	4	07-3754	M12 Flat Washer - CL10.9	
6	4	07-3755	M12-1.75 Hex Nut - CL10.9	
7	4	07-3756	M12 Lock Washer	
8	4	07-6683	M12-1.75 X 65mm Hex Capscrew - CL10.9	
9		REF	SERIAL NUMBER REQUIRED	
9	1	13-18135	Hub Drive - Hex	Serial Number 1234001 & Up
9	1	13-15206	Hex Hub	Serial Number 1233199 & Down
10	1	13-16225	2.50" Hex Receiver Plate	
11	1	13-17016	Motor Mounting Plate	

5' Angle Sweeper - S26 Series

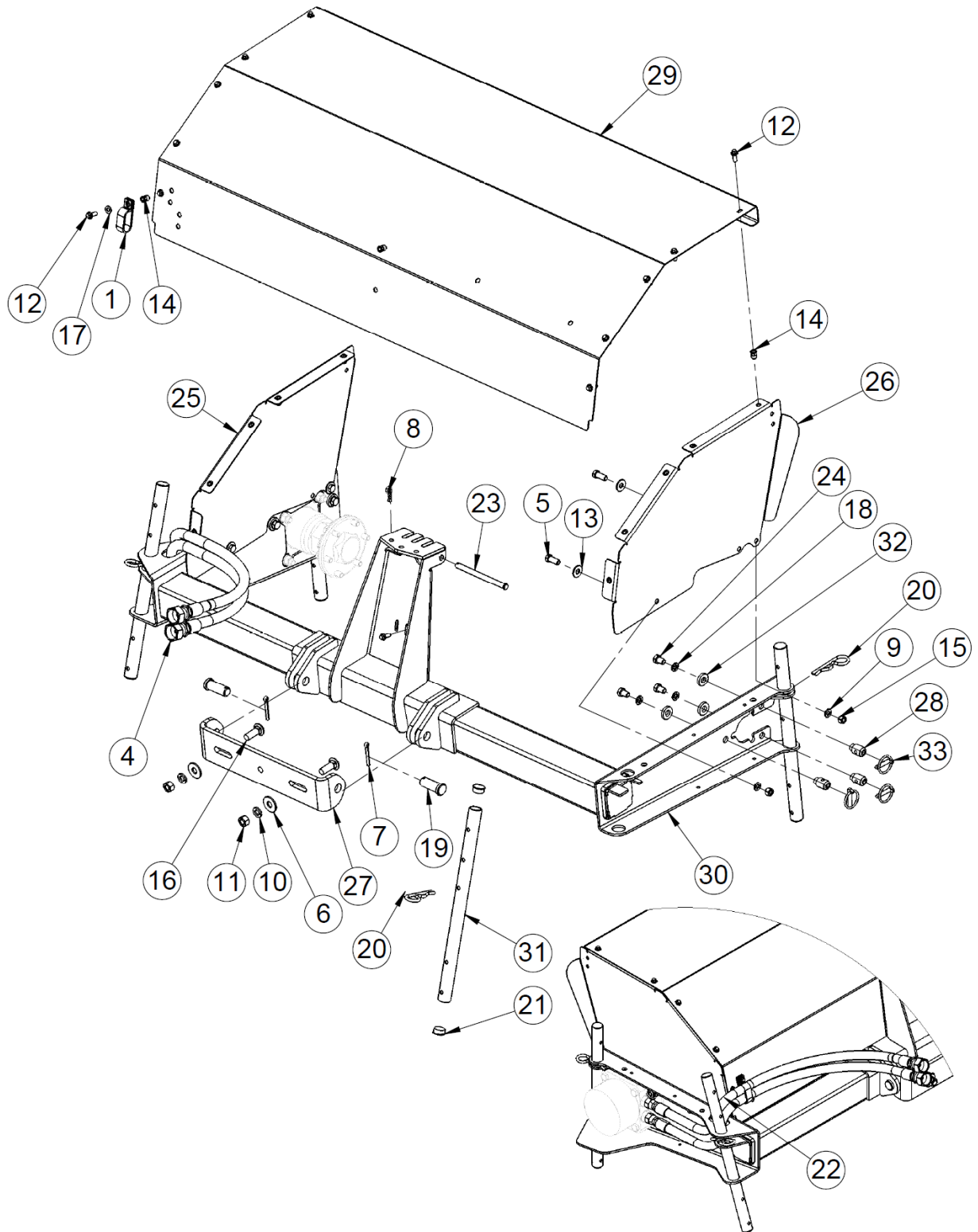


Item	Qty	Part No.	Name	Additional Info
REF	-	28-10302	Bearing Assembly	
1	3	07-2950	M8-1.25 X 20mm Carriage Bolt - CL8.8	
2	3	07-3737	M8-1.25 Hex Nut - CL10	
3	4	07-3738	M8 Lock Washer	
4	6	07-3747	M10 Lock Washer	
5	6	07-3749	M10-1.5 X 30mm Hex Capscrew - CL10.9	
6	1	07-3777	M8-1.25 X 20mm Hex Capscrew - CL10.9	
7	2	08-0008	Flange Bearing - 3 Bolt	
8	1	08-0037	Bearing	
9	1	13-11903	.34" Flat Washer	
10	1	13-16923	Hex Shaft Idler - Bolt-On	
11	1	13-17015	Bearing Mounting Plate	

6' Angle Sweeper - S26 Series

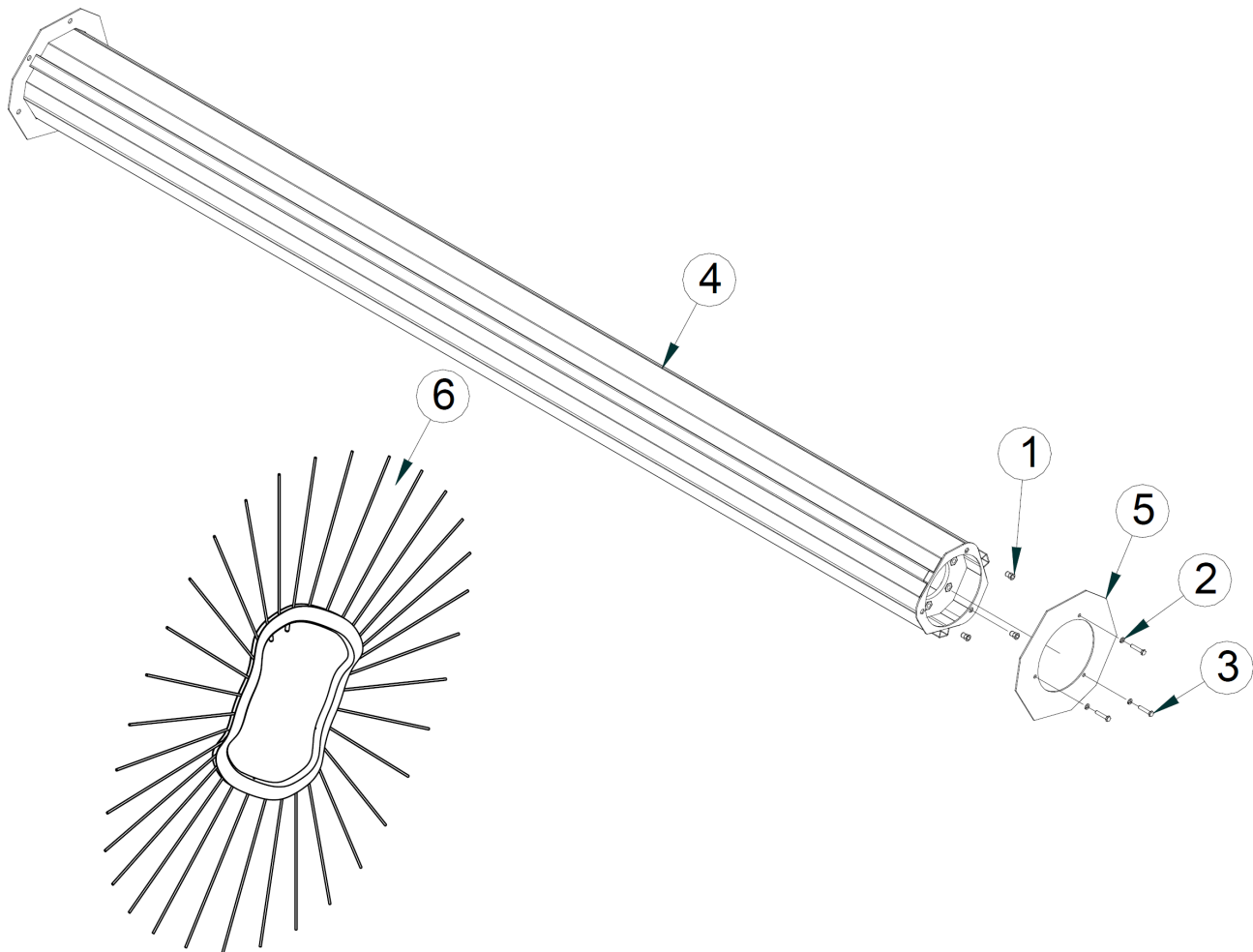


Item	Qty	Part No.	Name	Additional Info
1	1	03-2490	Double Hose Clamp	
4	2	03-5111	Hose .50" X 84" 8FFS-12FFS	
5	4	07-0018	.38" UNC X 1.00" Hex Capscrew - GR8	
6	2	07-0156	.50" Flat Washer - GR8	
7	2	07-0206	Cotter Pin .19" X 2.00" - GR2	
8	1	07-0209	Hair Pin - 1.38"	
9	4	07-1718	.38" Lock Washer	
10	2	07-1762	.50" Lock Washer	
11	2	07-1764	.50" UNC Hex Nut - GR8	
12	12	07-2952	M6-1.00 X 20mm Hex Flange Head Capscrew	
13	4	07-3279	.38" Flat Washer - GR8	
14	12	07-3617	M6-1.00 Insert Nut	
15	4	07-3654	.38" UNC Hex Nut - GR8	
16	2	07-3708	.50" UNC X 1.50" Carriage Bolt	
17	1	07-3736	M8 Flat Washer - CL8.8	
18	6	07-3747	M10 Lock Washer	
19	2	07-4046	Clevis Pin .75" X 2.00"	
20	4	07-4522	Hair Pin	
21	8	07-4523	Cap	
22	1.5ft	07-4539	Hose Sleeve - Bulk	
23	1	07-6488	Clevis Pin .38" X 5.50"	
24	6	07-6769	M10-1.5 X 16mm Hex Capscrew - CL10.9	
25	1	13-13457	Side Hood - Left	
26	1	13-13458	Side Hood - Right	
27	1	13-13525	Mounting Plate	
28	6	13-14083P	Motor Mounting Stud	
29	1	13-16178-6	Hood - 6'	
30	1	13-16638-6	Brush Head Frame - 6'	
31	4	13-9818	Stand	
31	4	13-17877	Heavy Duty Stand	(Optional)
32	6	P852608	.50" Hard Washer	



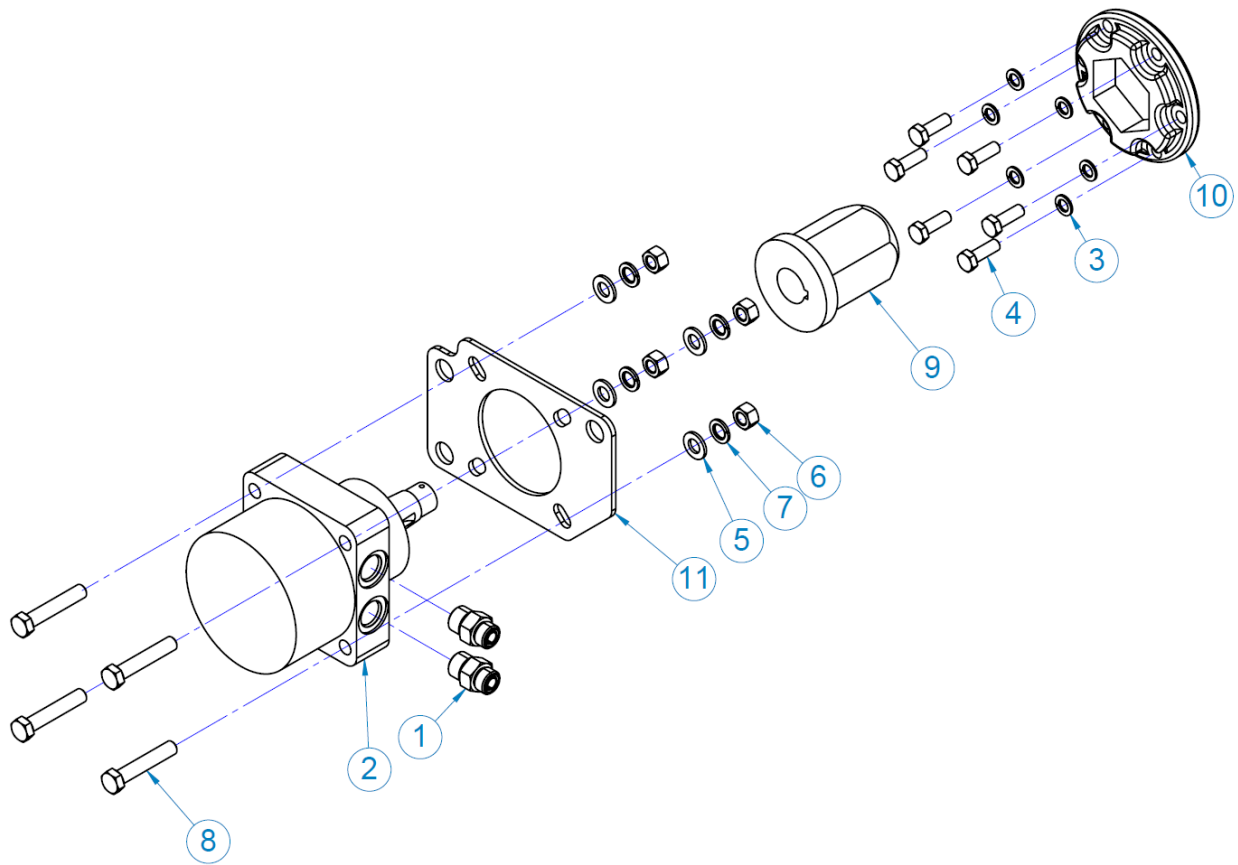
Item	Qty	Part No.	Name	Additional Info
33	6	RHW8068-0000	Lynch Pin - .25"	

6' Angle Sweeper - S26 Series



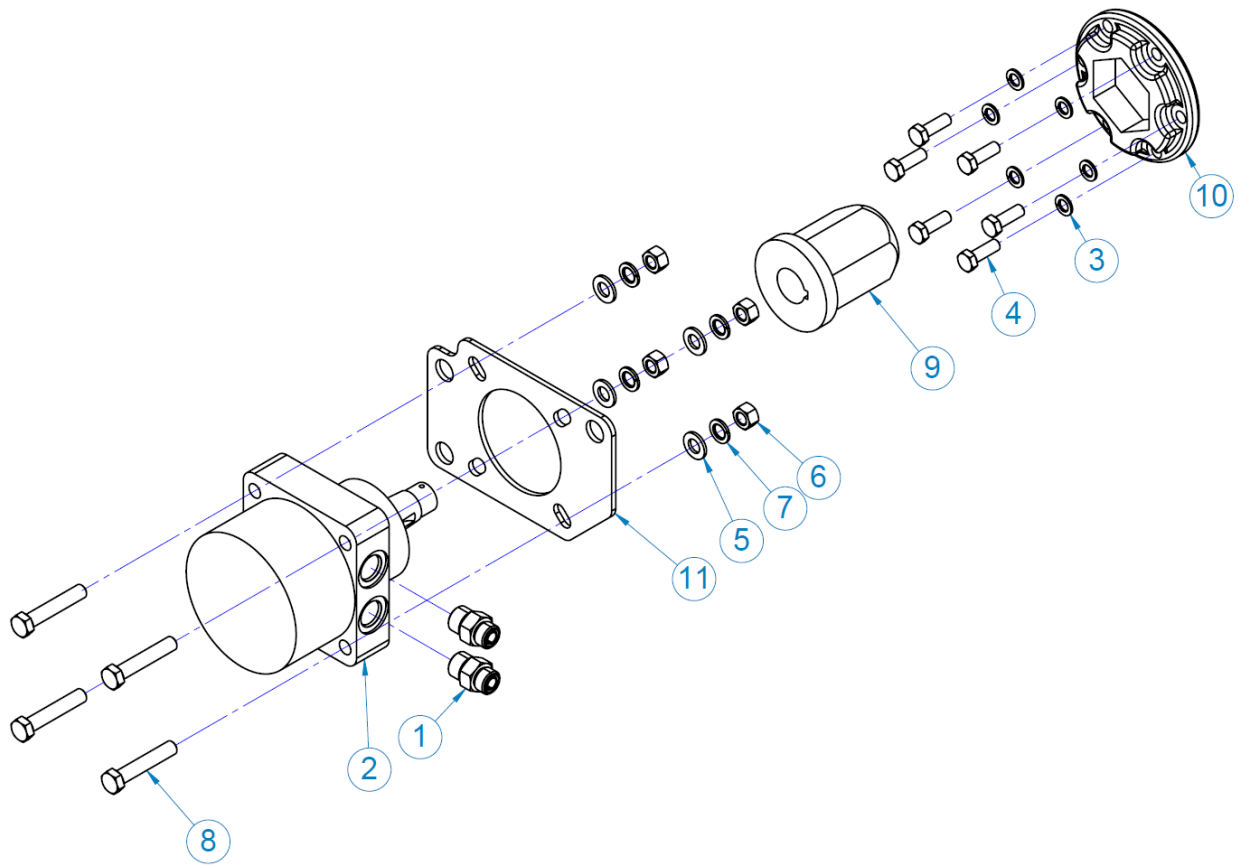
Item	Qty	Part No.	Name	Additional Info
1	3	07-3617	M6-1.00 Insert Nut	
2	3	07-3730	M6 Lock Washer	
3	3	07-3731	M6-1.0 X 30MM Hex Capscrew CL10.9	
4	1	13-15657-6	Core - 6'	
5	1	13-15662	Retainer Plate	
6	40	01-5012	30" Brush - Mixed	
6	40	01-5011	30" Brush - Poly	

6' Angle Sweeper - S26 Series



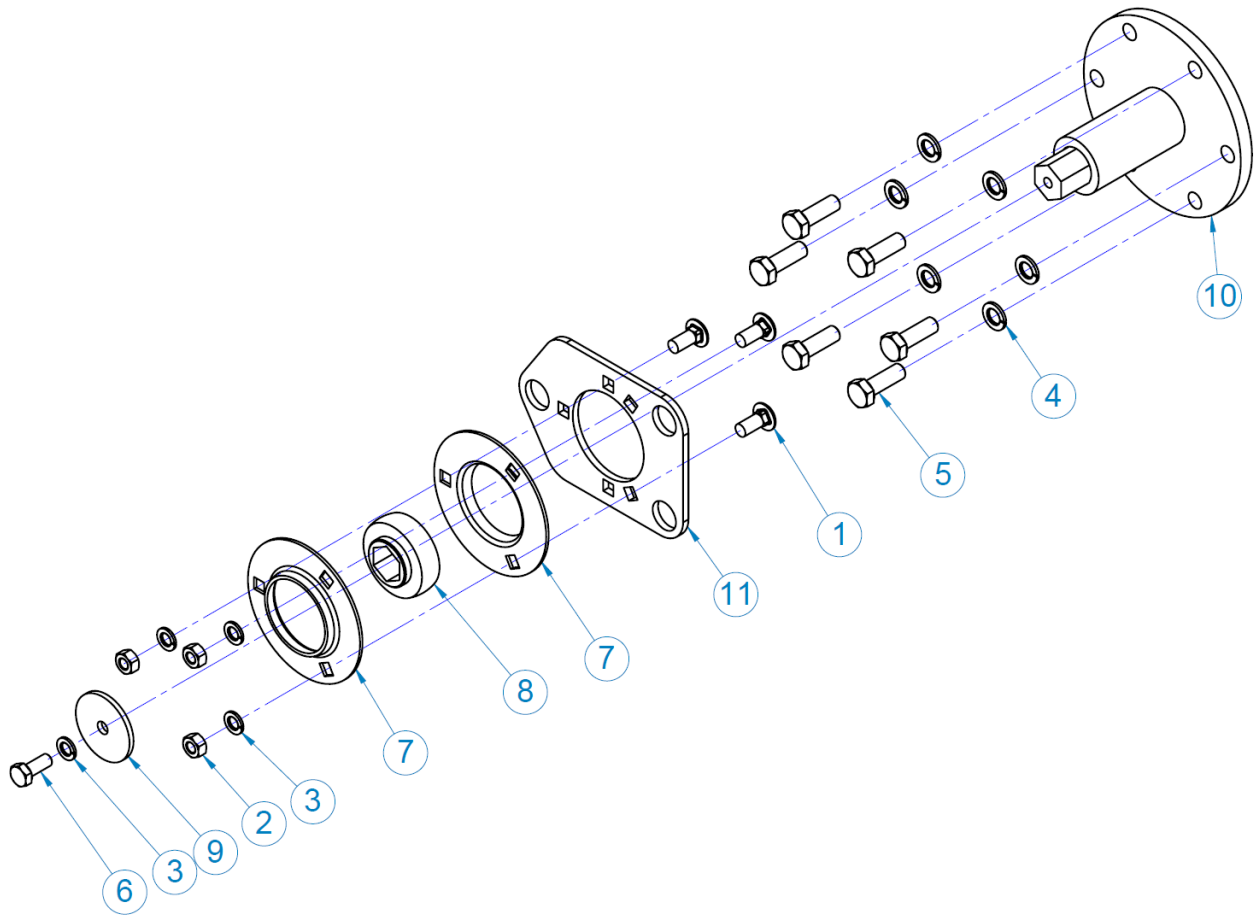
Item	Qty	Part No.	Name	Additional Info
1	2	03-3481	Fitting 10MBo-8MFS	
2		REF	SERIAL NUMBER REQUIRED	
2	1	03-6445	Hydraulic Motor 14.5 CID	Serial Number 12334001 & Up
2.1		03-6469	Replacement Seal Kit	
2.1		07-7529	Key	
2.1		07-8215	Motor Shaft Lock Nut	
2	1	03-5614	Hydraulic Motor 14.2 CID	Serial Number 1233199 & Down
2.2		03-5503	Replacement Seal Kit	
2.2		07-7286	Key	
3	6	07-3747	M10 Lock Washer	
4	6	07-3749	M10-1.5 X 30mm Hex Capscrew - CL10.9	
5	4	07-3754	M12 Flat Washer - CL10.9	
6	4	07-3755	M12-1.75 Hex Nut - CL10.9	
7	4	07-3756	M12 Lock Washer	
8	4	07-6683	M12-1.75 X 65mm Hex Capscrew - CL10.9	
9		REF	SERIAL NUMBER REQUIRED	
9	1	13-18135	Hub Drive - Hex	Serial Number 1234001 & Up
9	1	13-15206	Hex Hub	Serial Number 1233199 & Down
10	1	13-16225	2.50" Hex Receiver Plate	
11	1	13-17016	Motor Mounting Plate	

6' Angle Sweeper - S26 Series



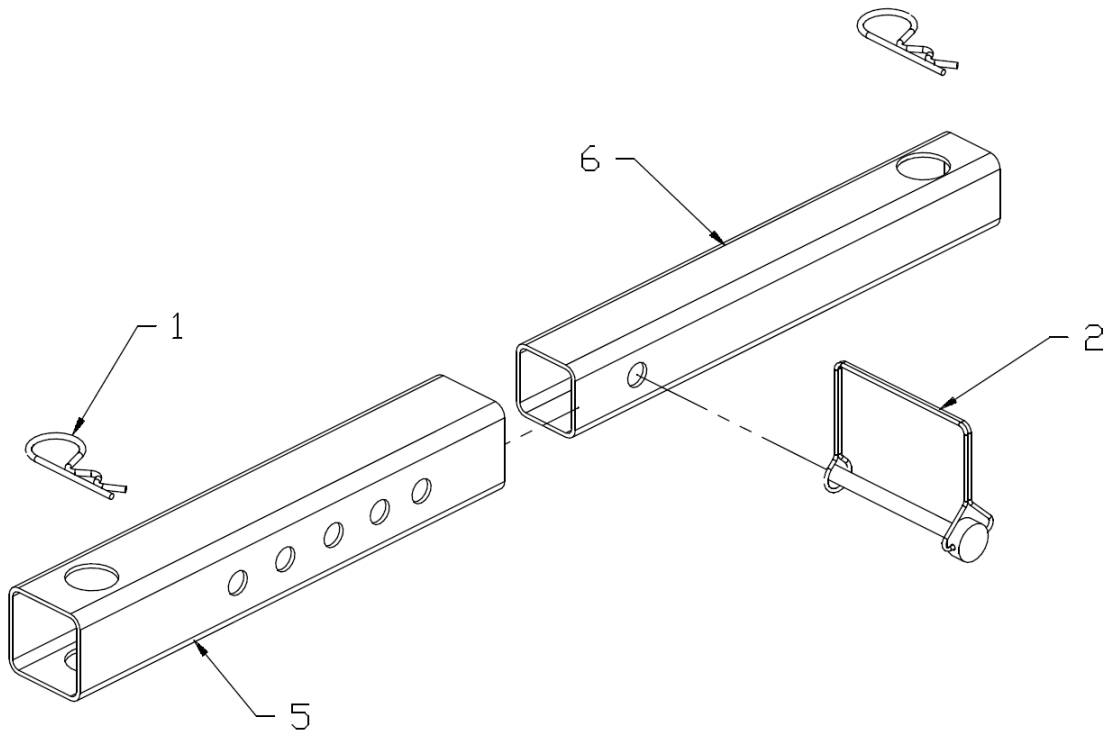
Item	Qty	Part No.	Name	Additional Info
1	2	03-3481	Fitting 10MBo-8MFS	
2		REF	SERIAL NUMBER REQUIRED	
2	1	03-6444	Hydraulic Motor 17.1 CID	Serial Number 1234001 & Up
2.1		07-2256	Replacement Seal Kit	
2.1		07-7529	Key	
2.1		07-8215	Motor Shaft Lock Nut	
2	1	03-5612	Hydraulic Motor 18.3 CID	Serial Number 1233199 & Down
2.2		03-5503	Replacement Seal Kit	
2.2		07-7286	Key	
2.2		07-4568	Motor Shaft Lock Nut	
3	6	07-3747	M10 Lock Washer	
4	6	07-3749	M10-1.5 X 30mm Hex Capscrew - CL10.9	
5	4	07-3754	M12 Flat Washer - CL10.9	
6	4	07-3755	M12-1.75 Hex Nut - CL10.9	
7	4	07-3756	M12 Lock Washer	
8	4	07-6683	M12-1.75 X 65mm Hex Capscrew - CL10.9	
9		REF	SERIAL NUMBER REQUIRED	
9	1	13-18135	Hub Drive - Hex	Serial Number 1234001 & Up
9	1	13-15206	Hex Hub	Serial Number 1233199 & Down
10	1	13-16225	2.50" Hex Receiver Plate	
11	1	13-17016	Motor Mounting Plate	

6' Angle Sweeper - S26 Series



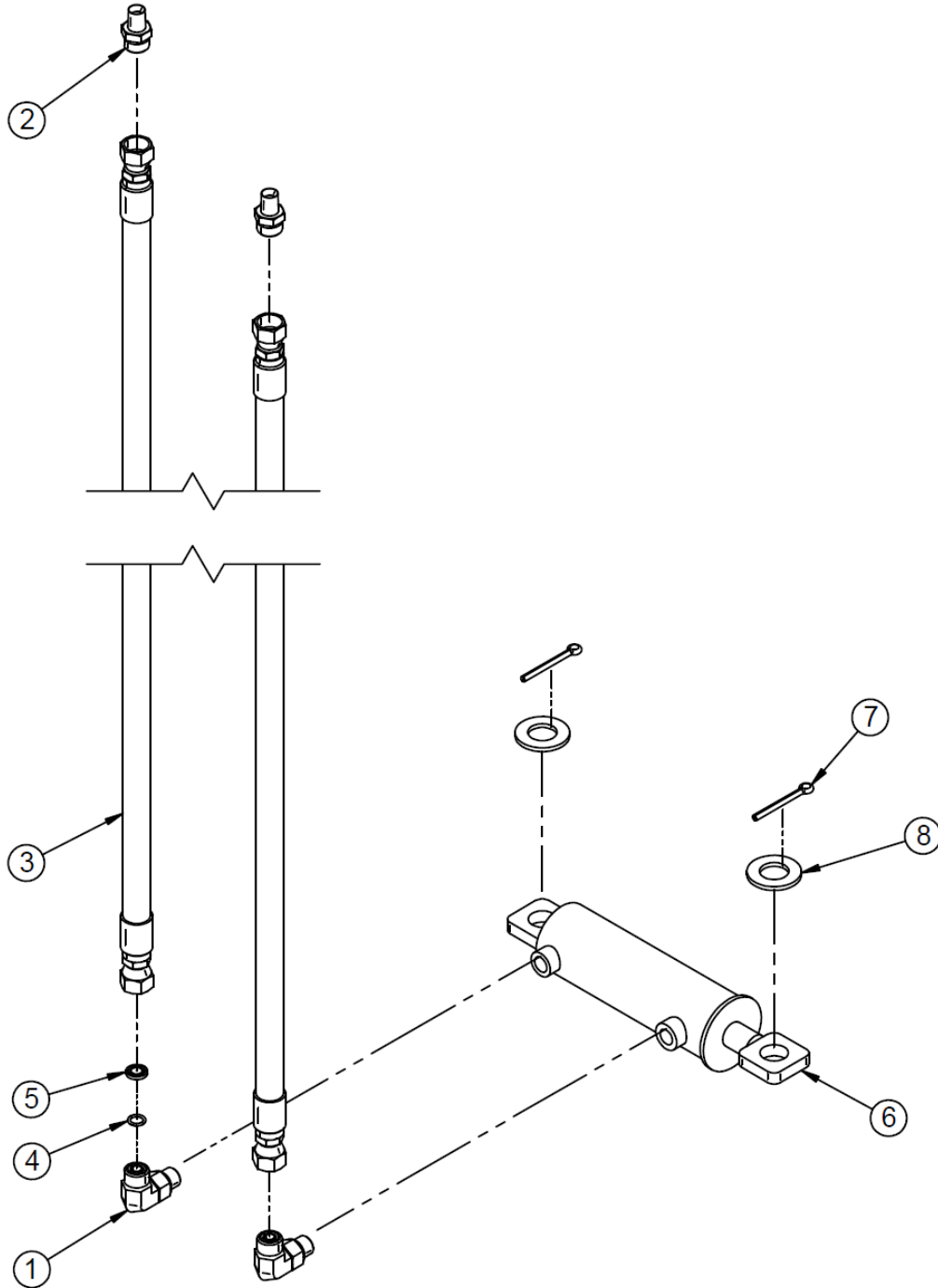
Item	Qty	Part No.	Name	Additional Info
REF	-	28-10302	Bearing Assembly	
1	3	07-2950	M8-1.25 X 20mm Carriage Bolt - CL8.8	
2	3	07-3737	M8-1.25 Hex Nut - CL10	
3	4	07-3738	M8 Lock Washer	
4	6	07-3747	M10 Lock Washer	
5	6	07-3749	M10-1.5 X 30mm Hex Capscrew - CL10.9	
6	1	07-3777	M8-1.25 X 20mm Hex Capscrew - CL10.9	
7	2	08-0008	Flange Bearing - 3 Bolt	
8	1	08-0037	Bearing	
9	1	13-11903	.34" Flat Washer	
10	1	13-16923	Hex Shaft Idler - Bolt-On	
11	1	13-17015	Bearing Mounting Plate	

Angle and Swing Assemblies



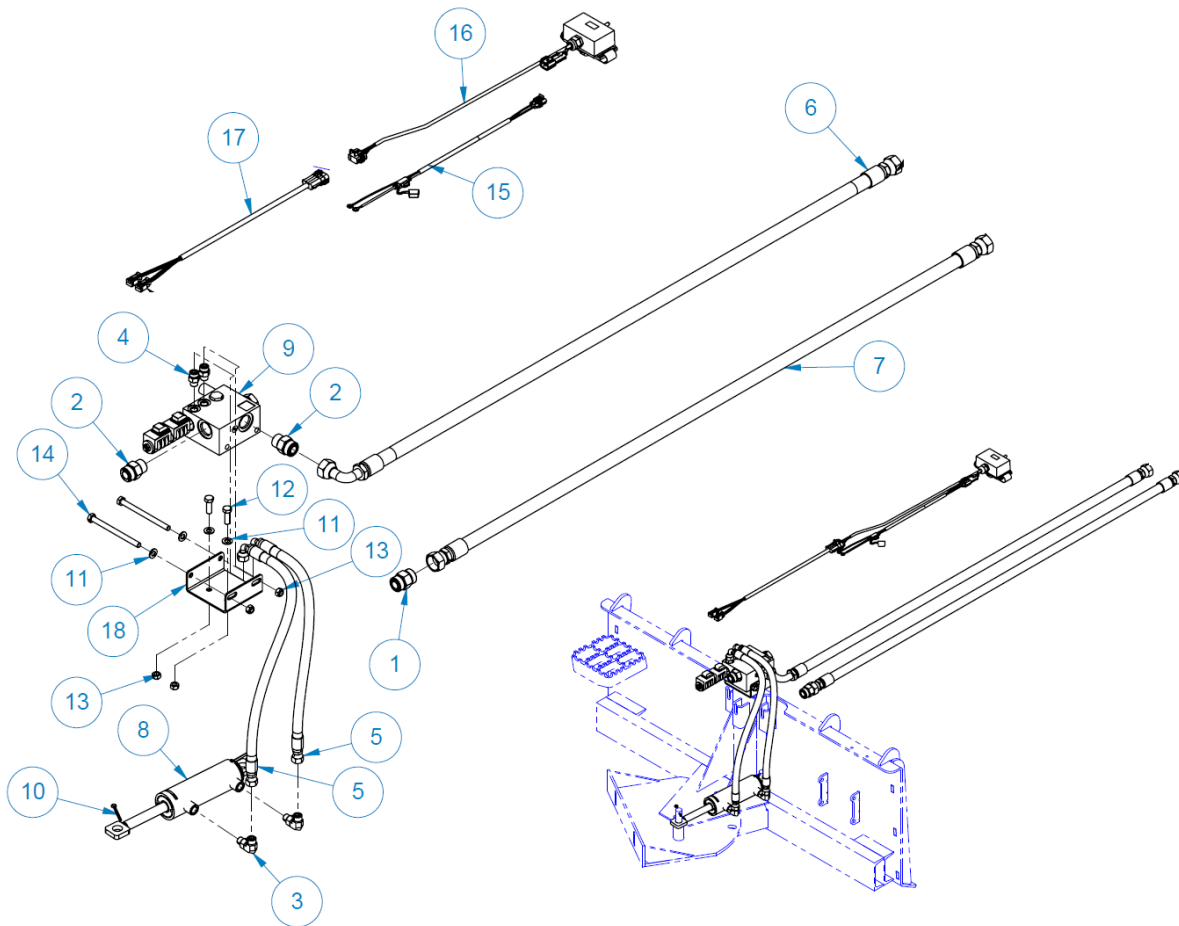
Item	Qty	Part No.	Name	Additional Info
1	2	07-0210	Hair Pin - 1 .75"	
2	1	07-2105	Lock Pin .38"	
5	1	13-4193	Outer Tube	
6	1	13-4194	Inner Tube	

Angle and Swing Assemblies



Item	Qty	Part No.	Name	Additional Info
1	2	03-2092	90° Elbow 6MBo-6MFS	
2	2	03-2159	Fitting 6MFS-4MP	
3	2	03-2270	Hose .38" X 72" 6FFS-6FFS	
4	1	03-3573	O-Ring	
5	1	03-4668	Orifice	
6		REF	SERIAL NUMBER REQUIRED	
6	1	03-5719	Cylinder Assembly	Serial Number 092409 & Up
6.1		46072	Replacement Seal Kit	
6.2		114406	Cylinder Rod	
6	1	03-3381	Cylinder Assembly 1.75" X .75" X 4"	Serial Number 092309 & Down
6.3		03-3382	Replacement Seal Kit	
7	2	07-0206	Cotter Pin .19" X 2.00" - GR2	
8	2	07-1782	.75" Hard Flat Washer	

Angle and Swing Assemblies

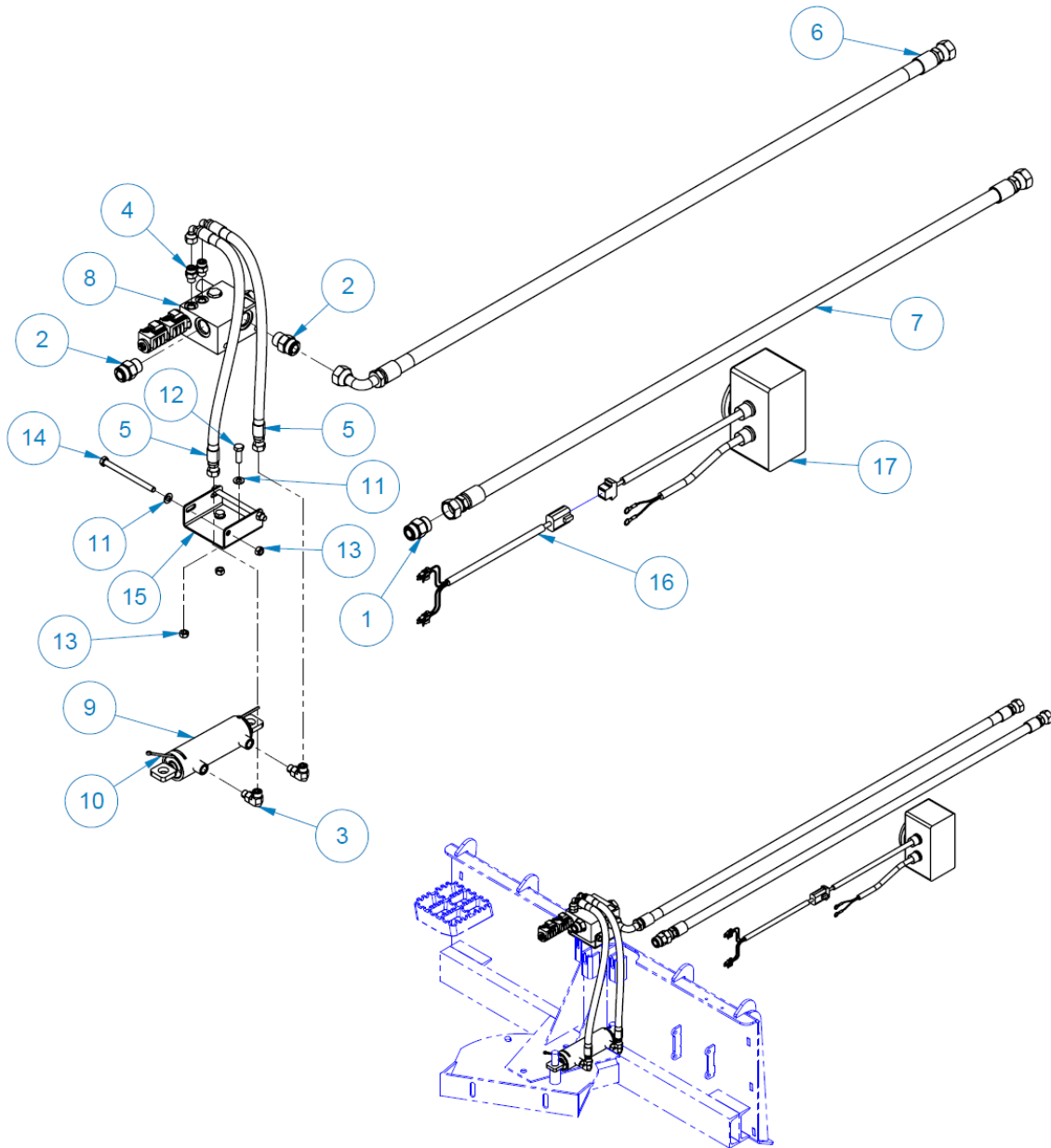


Item	Qty	Part No.	Name	Additional Info
1	1	03-1920	Straight Adapter 12MFS-12MFS	
2	2	03-1945	Straight Adapter 12MBo-12MFS	
3	2	03-2092	90° Elbow 6MBo-6MFS	
4	2	03-2291	Fitting 6MBo-6MFS	
5	2	03-2352	Hose .38" X 32" 2W 6FFS 90°-6FFS	
6	1	03-3968	Hose .75" X 60" 12FFS-12FFS 90°	
7	1	03-4506	Hose .75" X 60" 12FFS-12FFS	
8		REF	SERIAL NUMBER REQUIRED	
8	1	03-5719	Cylinder Assembly	Serial Number 092409 & Up
8	1	03-3381	Cylinder Assembly 1.75" X .75" X 4"	Serial Number 092309 & Down
9	1	03-5835	Manifold 12 Volt	
9.1	-	07-7151	Replacement Relief Cartridge	
9.1	-	07-7152	Replacement Directional Control Cartridge	
9.1	-	07-7769	Replacement Coil - 12V	
10	2	07-0206	Cotter Pin .19" X 2.00" - GR2	
11	4	07-3745	M10 Flat Washer - CL10.9	
12	2	07-3749	M10-1.5 X 30mm Hex Capscrew - CL10.9	
13	4	07-4622	M10-1.5 Hex Lock Nut - CL10.9	
14	2	07-7028	M10-1.5 X 130mm Hex Capscrew - CL10.9	
REF	1	28-10754	Control Box - Single Switch	Includes item # 15 and 16
15	1	07-7733	Wire Harness - Power Lead 126"	
16	1	07-7734	Wire Harness with Box	
17	1	07-7737	Wire Harness - Solenoid 108"	Connect the Red wire plug to top coil & connect Yellow wire plug to bottom coil
18	1	13-16972	Valve Bracket	

Comments for Page: 11-5433 Hydraulic Angle Assembly with Electric Valve

Serial Number 1015001 & Up

Angle and Swing Assemblies



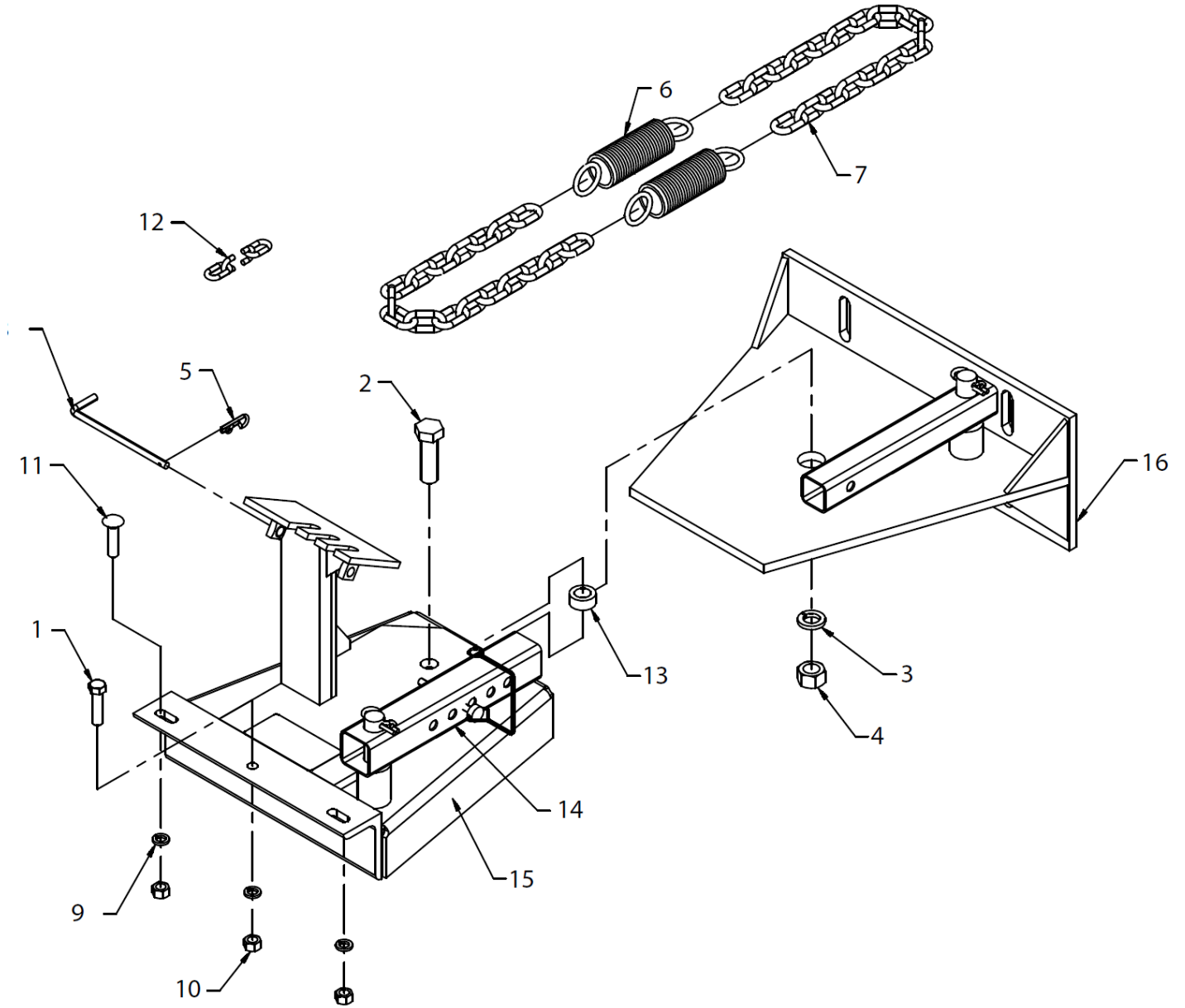
Item	Qty	Part No.	Name	Additional Info
1	1	03-1920	Straight Adapter 12MFS-12MFS	
2	2	03-1945	Straight Adapter 12MBo-12MFS	
3	2	03-2092	90° Elbow 6MBo-6MFS	
4	2	03-2291	Fitting 6MBo-6MFS	
5	2	03-2352	Hose .38" X 32" 2W 6FFS 90°-6FFS	
6	1	03-3968	Hose .75" X 60" 12FFS-12FFS 90°	
7	1	03-4506	Hose .75" X 60" 12FFS-12FFS	
8	1	03-5215	Manifold 12 Volt	
9		REF	SERIAL NUMBER REQUIRED	
9	1	03-5719	Cylinder Assembly	Serial Number 092409 & Up
9	1	03-3381	Cylinder Assembly 1.75" X .75" X 4"	Serial Number 092309 & Down
10	2	07-0206	Cotter Pin .19" X 2.00" - GR2	
11	4	07-3745	M10 Flat Washer - CL10.9	
12	2	07-3749	M10-1.5 X 30mm Hex Capscrew - CL10.9	
13	4	07-4622	M10-1.5 Hex Lock Nut - CL10.9	
14	2	07-7028	M10-1.5 X 130mm Hex Capscrew - CL10.9	
15	1	13-16972	Valve Bracket	
16	1	LAF9441	Wire Harness	Connect Red wire plug to top coil & connect Yellow wire plug to bottom coil
17	1	28-10754	Control Box - Single Switch	
17.1		07-7733	Wire Harness - Power Lead 126"	
17.2		07-7734	Wire Harness with Box	

Comments for Page: 11-5310 Hydraulic Angle Assembly with Electric Valve

Serial Number 1014199 & Down

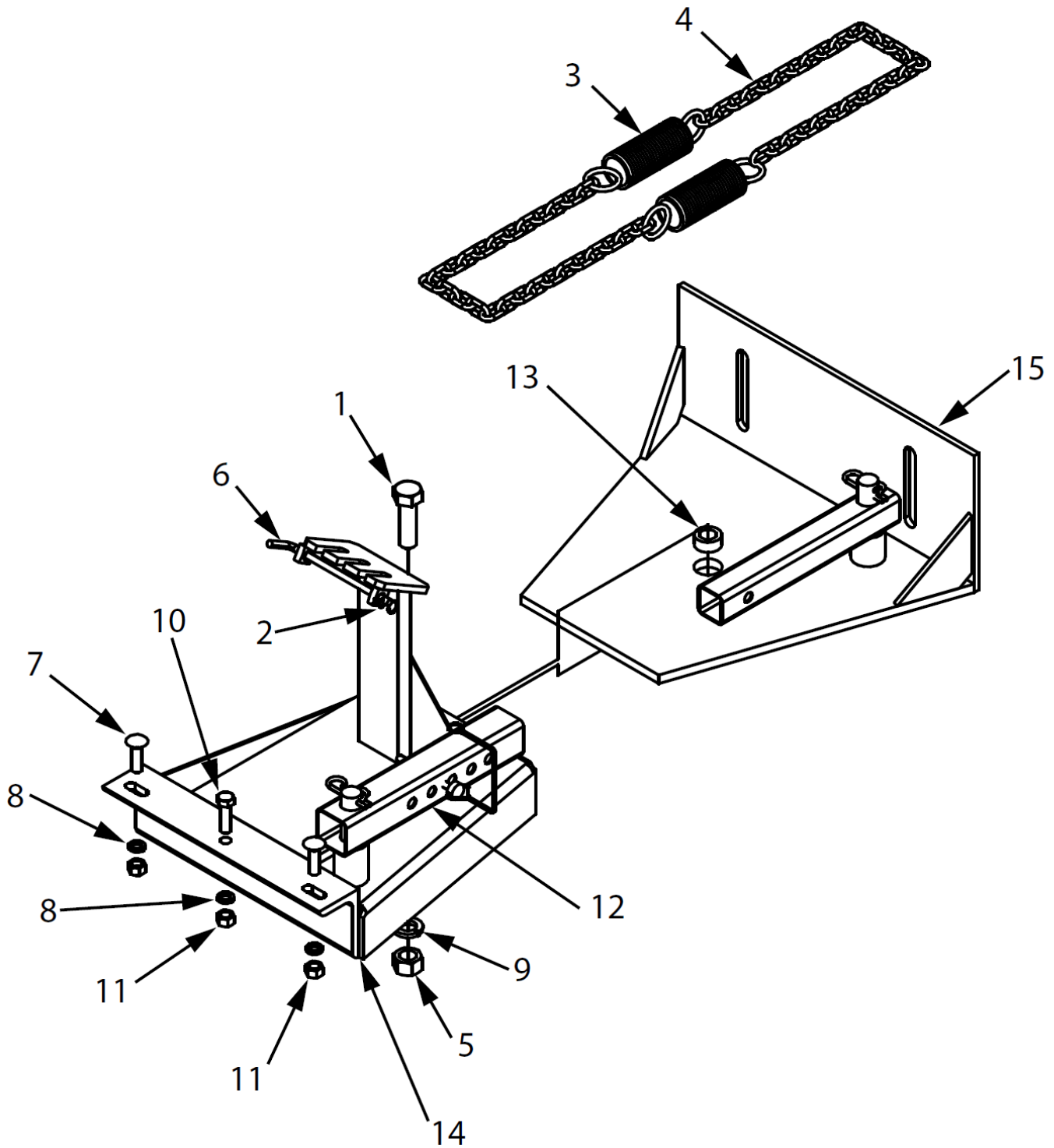
Service Parts Only

Angle and Swing Assemblies



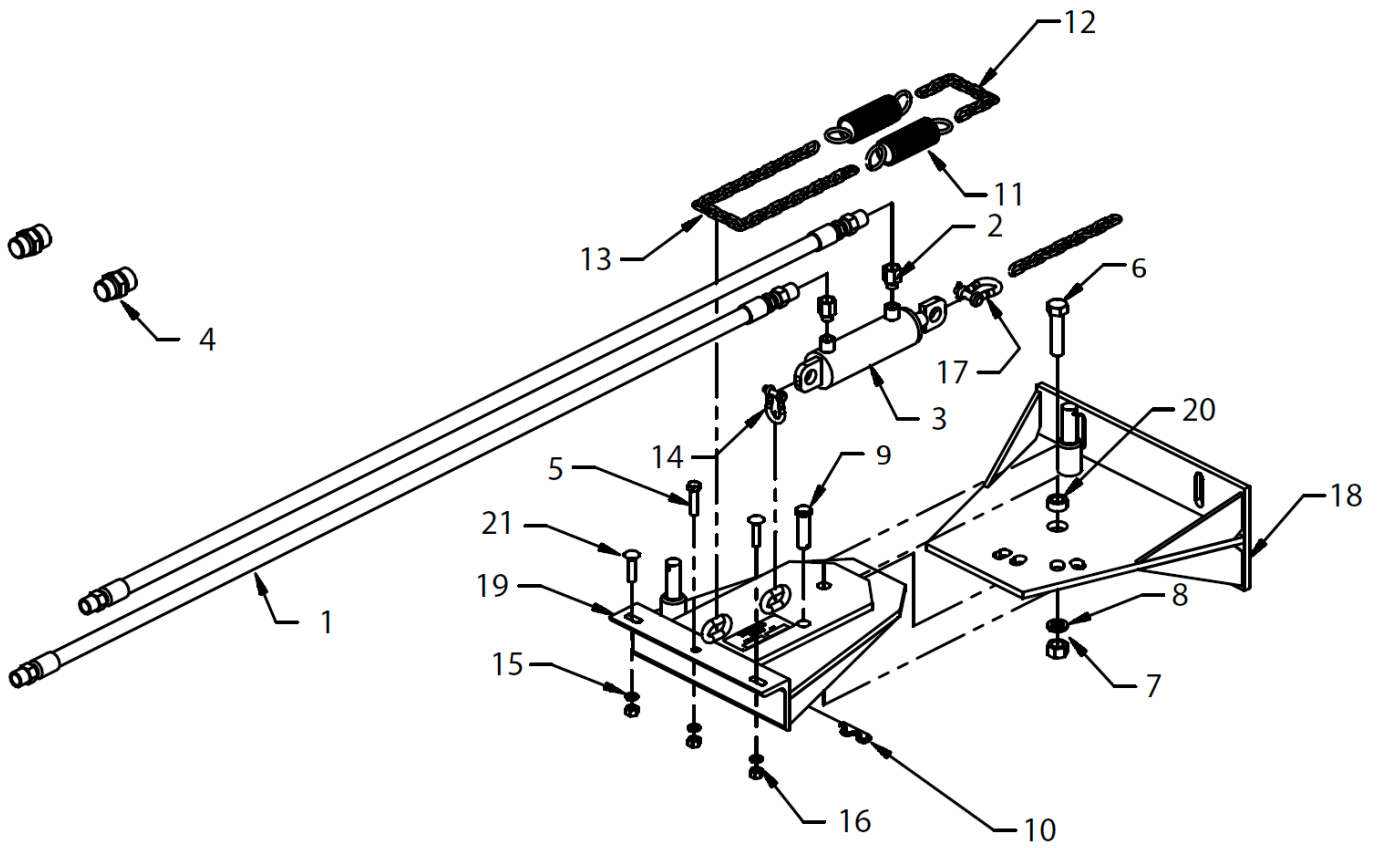
Item	Qty	Part No.	Name	Additional Info
REF	-	11-17174	Swing Assembly	
1	1	07-0041	38" UNC X 1.50" Hex Capscrew	
2	1	07-0066	.62" UNC X 2.00" Hex Capscrew - GR8	
3	1	07-1872	.62" Lock Washer	
4	1	07-1294	.62" UNC Hex Nut - GR8	
5	1	07-0209	Hair Pin - 1.38"	
6	2	07-0237	Tension Spring	
7	2	07-0387	Chain .18" X 26 Links	
8	1	07-1709	Chain Keeper .25" X 4.50"	
9	3	07-1718	.38" Lock Washer	
10	3	07-3654	.38" UNC Hex Nut - GR8	
11	2	07-1730	.38" UNC X 1.50" Carriage Bolt	
12	1	07-1759	Chain .31" X 36 Links	
13	1	11-7479	Bushing 1" X .62" X .44"	
14	1	11-4371	Manual Angle Kit	
14.1	2	07-0210	Hair Pin - 1 .75"	
14.1	1	07-2105	Lock Pin .38"	
14.1	1	13-4193	Outer Tube	
14.1	1	13-4194	Inner Tube	
15	1	13-8695	Swing Frame	
16	1	13-8696	Swing Plate	

Angle and Swing Assemblies



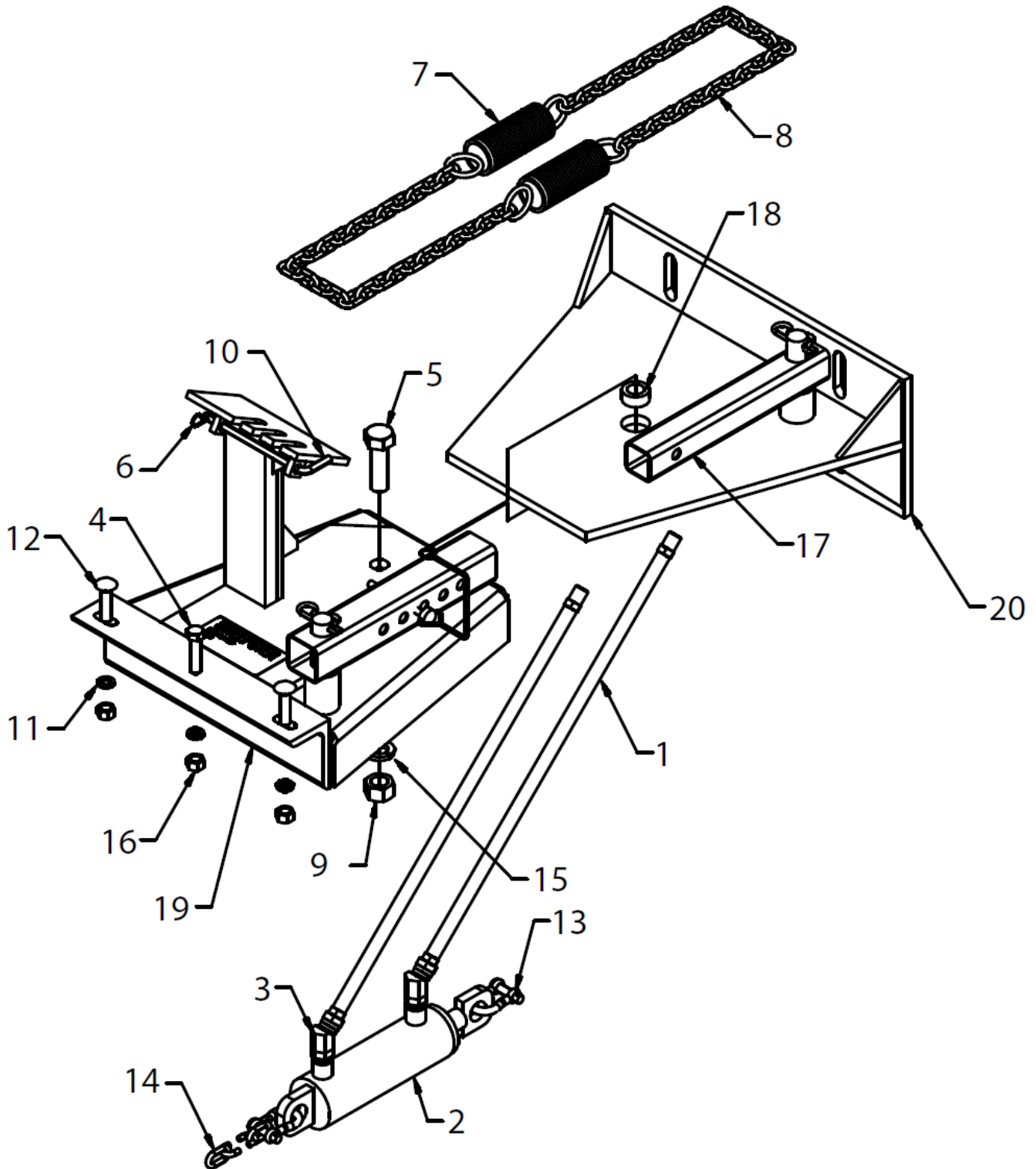
Item	Qty	Part No.	Name	Additional Info
REF	-	11-17283	Swing Assembly	
1	1	07-0066	.62" UNC X 2.00" Hex Capscrew - GR8	
2	1	07-0209	Hair Pin - 1.38"	
3	2	07-0237	Tension Spring	
4	2	07-0387	Chain .18" X 26 Links	
5	1	07-1294	.62" UNC Hex Nut - GR8	
6	1	07-1709	Chain Keeper .25" X 4.50"	
7	2	07-1717	.38" UNC X 1.00" Carriage Bolt	
8	3	07-1718	.38" Lock Washer	
9	1	07-1872	.62" Lock Washer	
10	1	07-2116	.38" UNC X 1.25" Hex Capscrew - GR8	
11	3	07-3654	.38" UNC Hex Nut - GR8	
12	1	11-4371	Manual Angle Kit	
12.1	2	07-0210	Hair Pin - 1 .75"	
12.1	1	07-2105	Lock Pin .38"	
12.1	1	13-4193	Outer Tube	
12.1	1	13-4194	Inner Tube	
13	1	11-7479	Bushing 1" X .62" X .44"	
14	1	13-0499	Swing Frame	
15	1	13-4206	Swing Plate	

Angle and Swing Assemblies



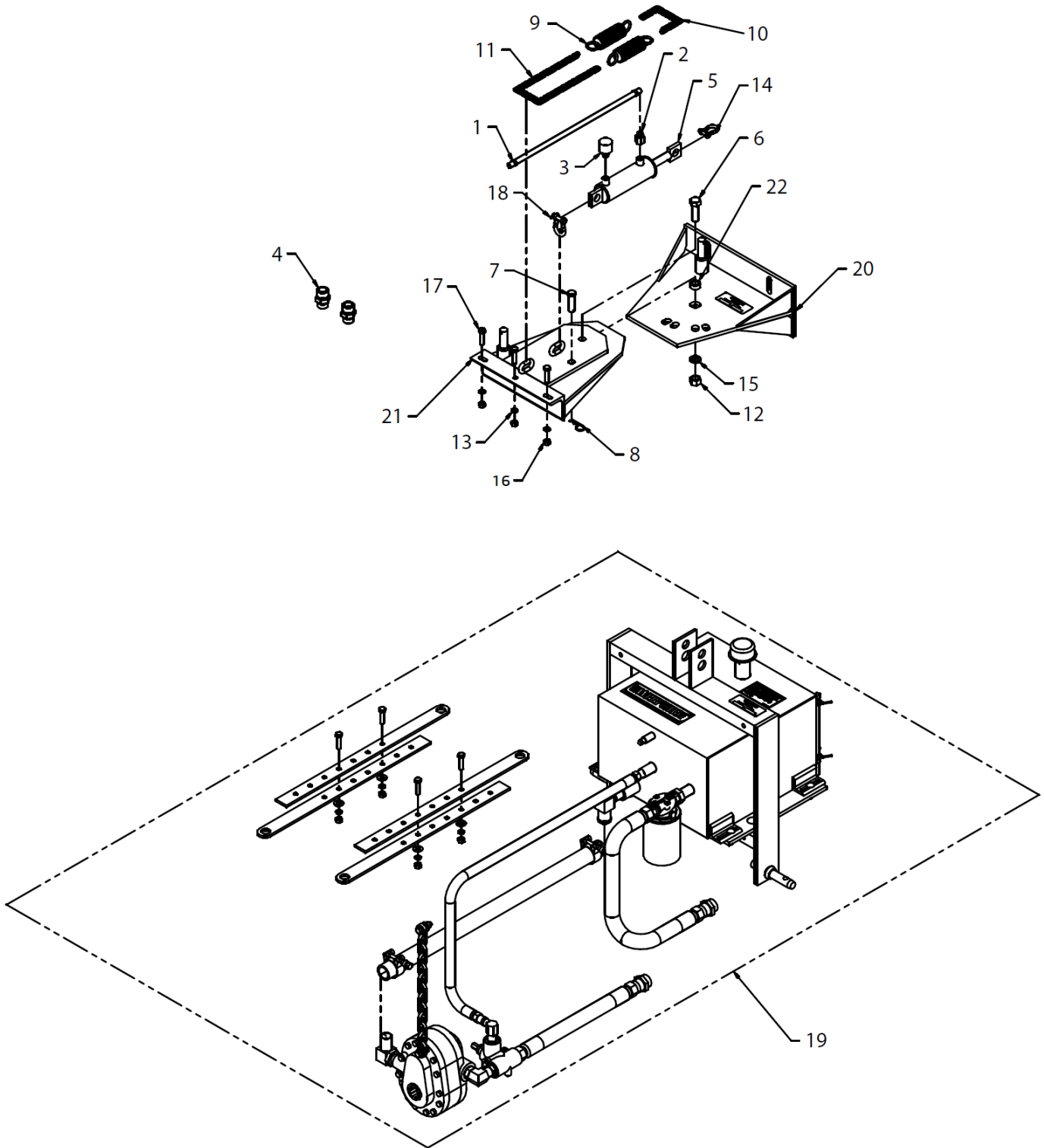
Item	Qty	Part No.	Name	Additional Info
REF	-	11-17410	Swing Assembly with Hydraulic Lift	
1	2	03-0064	Hose .25" X 144" 4MP-4MP	
2	2	03-0898	Fitting 4FP-6MBo	
3	1	03-5719	Cylinder Assembly	(Units built after September 2009.)
3.1	-	46072	Replacement Seal Kit	
3.1	-	114406	Cylinder Rod	
3	-	03-3381	Cylinder Assembly 1.75" X .75" X 4"	(Units built before September 2009.)
3.2	-	03-3382	Replacement Seal Kit	
4	2	03-1943	Straight Adapter 12MFS-12MP	
5	3	07-0041	38" UNC X 1.50" Hex Capscrew	
6	1	07-0066	.62" UNC X 2.00" Hex Capscrew - GR8	
7	1	07-0171	.62" Lock Washer - GR2	
8	1	07-0185	.62" UNC Hex Nut - GR2	
9	1	07-0201	Clevis Pin .62" X 2.00"	
10	1	07-0210	Hair Pin - 1 .75"	
11	2	07-0237	Tension Spring	
12	2	07-0238	Chain .18" X 10 Links	
13	1	07-0387	Chain .18" X 26 Links	
14	1	07-4350	.38" Shackle with Pin	
15	3	07-1718	.38" Lock Washer	
16	3	07-3654	.38" UNC Hex Nut - GR8	
17	1	07-1732	.25" Shackle with Pin	
18	1	11-7467	Swing Plate	
19	1	11-7472	Swing Frame	
20	1	11-7479	Bushing 1" X .62" X .44"	
21	2	07-1730	.38" UNC X 1.50" Carriage Bolt	

Angle and Swing Assemblies



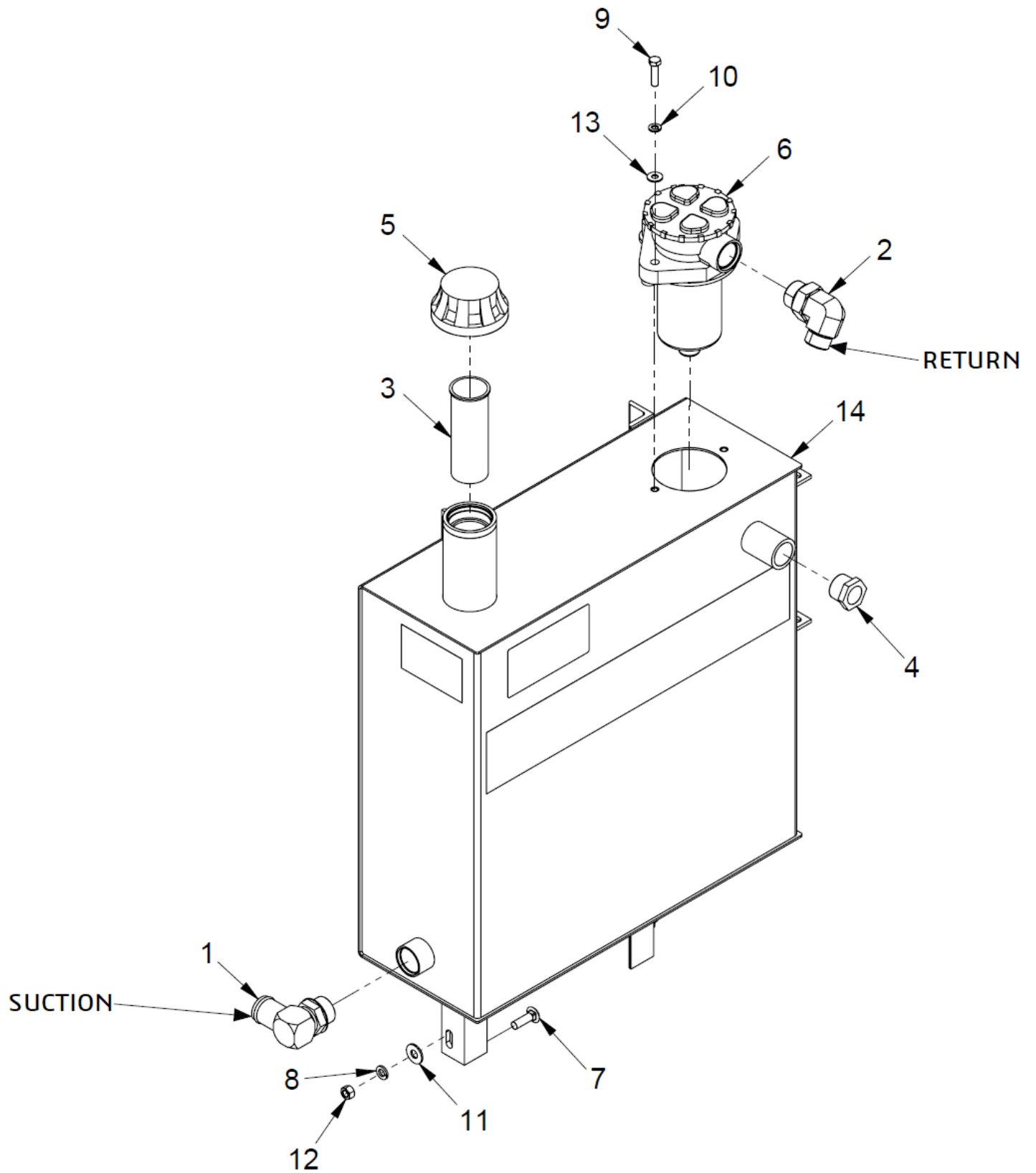
Item	Qty	Part No.	Name	Additional Info
REF	-	11-17432	Swing Assembly with Hydraulic Lift	
1	2	03-0064	Hose .25" X 144" 4MP-4MP	
2	1	03-5719	Cylinder Assembly	(Units built after September 2009.)
2.1	-	114406	Cylinder Rod	
2.1	-	46072	Replacement Seal Kit	
2	-	03-3381	Cylinder Assembly 1.75" X .75" X 4"	(Units built after September 2009.)
2.2	-	03-3382	Replacement Seal Kit	
3	2	03-1884	45° Elbow 4FP-6MBo	
4	1	07-3655	.38" UNC X 1.50" Hex Capscrew - GR8	
5	1	07-0066	.62" UNC X 2.00" Hex Capscrew - GR8	
6	1	07-0209	Hair Pin - 1.38"	
7	2	07-0237	Tension Spring	
8	2	07-0387	Chain .18" X 26 Links	
9	1	07-1294	.62" UNC Hex Nut - GR8	
10	1	07-1709	Chain Keeper .25" X 4.50"	
11	3	07-1718	.38" Lock Washer	
12	2	07-1730	.38" UNC X 1.50" Carriage Bolt	
13	2	07-1732	.25" Shackle with Pin	
14	1	07-1759	Chain .31" X 36 Links	
15	1	07-1872	.62" Lock Washer	
16	3	07-3654	.38" UNC Hex Nut - GR8	
17	1	11-4371	Manual Angle Kit	
17.1	2	07-0210	Hair Pin - 1 .75"	
17.1	1	07-2105	Lock Pin .38"	
17.1	1	13-4193	Outer Tube	
17.1	1	13-4194	Inner Tube	
18	1	11-7479	Bushing 1" X .62" X .44"	
19	1	13-8695	Swing Frame	
20	1	13-8696	Swing Plate	

Angle and Swing Assemblies



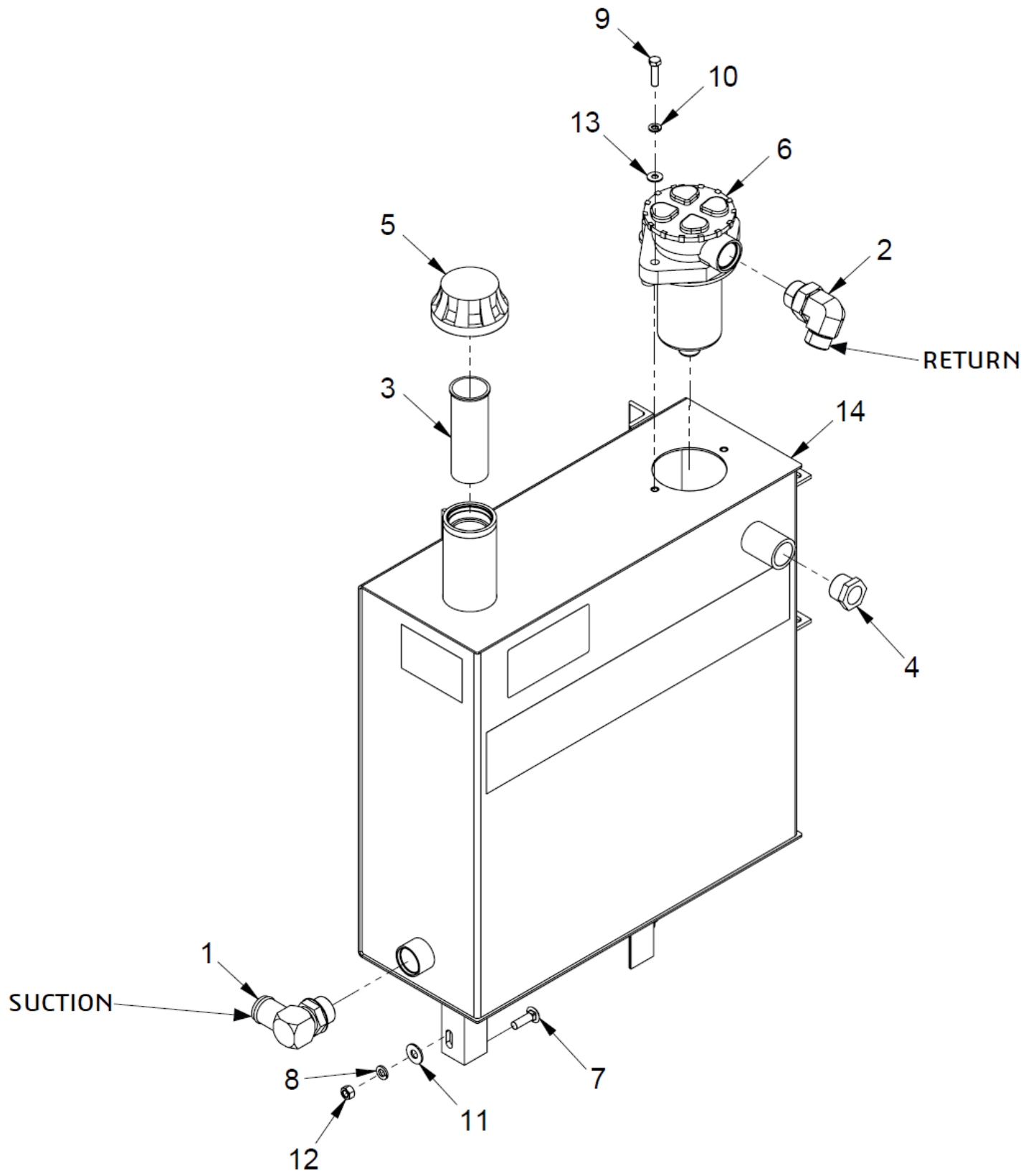
Item	Qty	Part No.	Name	Additional Info
REF	-	11-17176	Swing Assembly with Power Pack	
1	1	03-0064	Hose .25" X 144" 4MP-4MP	
2	1	03-0898	Fitting 4FP-6MBo	
3	1	03-1932	Relief Vent	
4	2	03-1943	Straight Adapter 12MFS-12MP	
5	1	03-5719	Cylinder Assembly	(Units built after September 2009.)
5.1	-	114406	Cylinder Rod	
5.1	-	46072	Replacement Seal Kit	
5	-	03-3381	Cylinder Assembly 1.75" X .75" X 4"	(Units built before September 2009.)
5.2	-	03-3382	Replacement Seal Kit	
6	1	07-0066	.62" UNC X 2.00" Hex Capscrew - GR8	
7	1	07-0201	Clevis Pin .62" X 2.00"	
8	1	07-0210	Hair Pin - 1 .75"	
9	2	07-0237	Tension Spring	
10	2	07-0238	Chain .18" X 10 Links	
11	1	07-0387	Chain .18" X 26 Links	
12	1	07-1294	.62" UNC Hex Nut - GR8	
13	3	07-1718	.38" Lock Washer	
14	1	07-1732	.25" Shackle with Pin	
15	1	07-1872	.62" Lock Washer	
16	3	07-3654	.38" UNC Hex Nut - GR8	
17	3	07-3655	.38" UNC X 1.50" Hex Capscrew - GR8	
18	1	07-4350	.38" Shackle with Pin	
19	1	CALL FACTORY	Power Pack Assembly	
20	1	11-7467	Swing Plate	
21	1	11-7472	Swing Frame	
22	1	11-7479	Bushing 1" X .62" X .44"	

Hydraulic Tank Assemblies



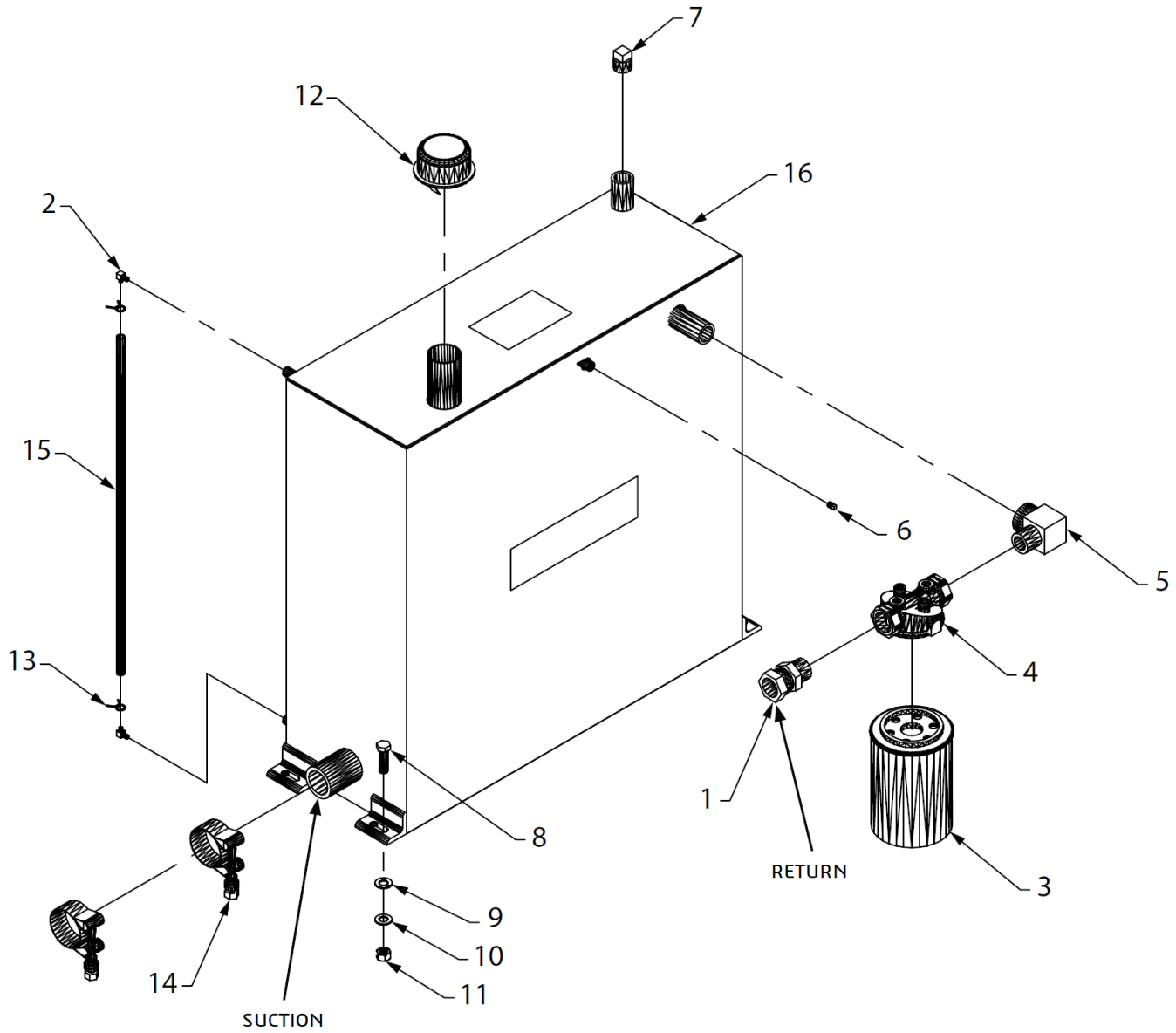
Item	Qty	Part No.	Name	Additional Info
REF	-	11-5318	Front Mounted Tank Assembly	
1	1	030710	90° Hose Barb 1.25" X 16MBo	
2	1	03-1956	90° Elbow 12MF-16MBo	
3	1	03-4642	Strainer	
4	1	03-4709	Sight Gauge	
5	1	03-5055	Breather Cap - 5psi	
6	1	03-5056	In Tank Filter 39GPM	
7	4	07-1717	.38" UNC X 1.00" Carriage Bolt	
8	4	07-1718	.38" Lock Washer	
9	2	07-1973	.31" UNC X 1.25" Hex Capscrew	
10	2	07-3273	.31" Lock Washer	
11	4	07-3279	.38" Flat Washer - GR8	
12	4	07-3654	.38" UNC Hex Nut - GR8	
13	2	07-4032	.25" Flat Washer - GR8	
14	1	13-12698	Tank - Front	

Hydraulic Tank Assemblies



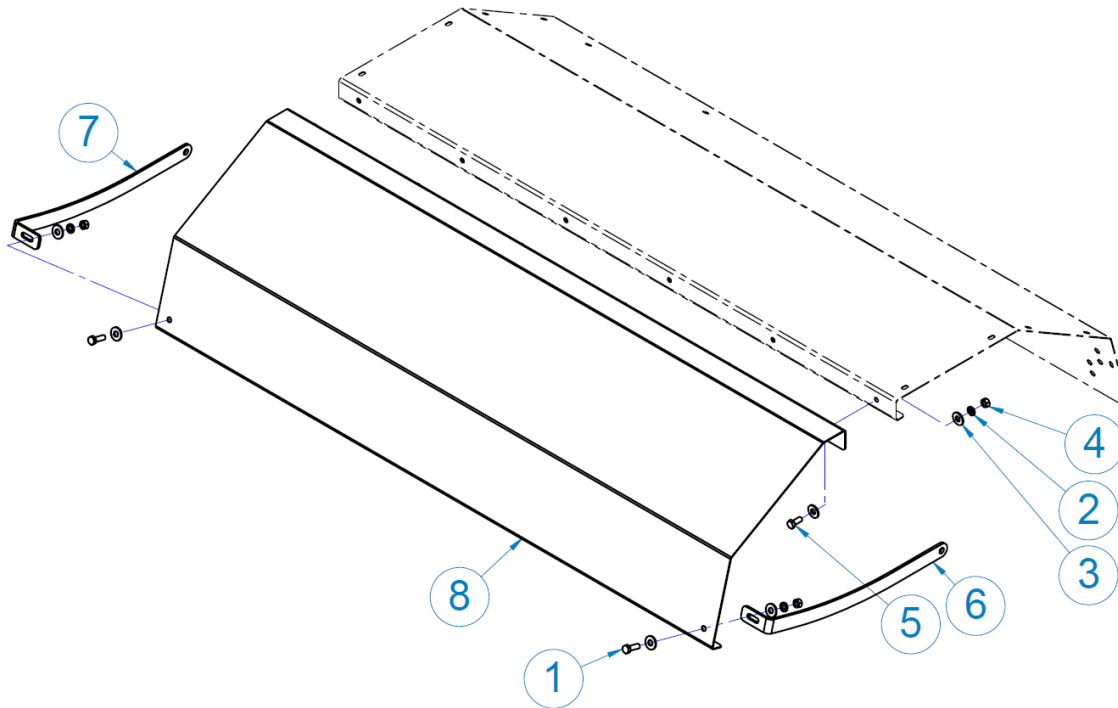
Item	Qty	Part No.	Name	Additional Info
REF	-	11-5320	Front Mounted Tank Assembly	
1	1	030710	90° Hose Barb 1.25" X 16MBo	
2	1	03-1956	90° Elbow 12MF-16MBo	
3	1	03-4642	Strainer	
4	1	03-4709	Sight Gauge	
5	1	03-5055	Breather Cap - 5psi	
6	1	03-5056	In Tank Filter 39GPM	
7	4	07-1717	.38" UNC X 1.00" Carriage Bolt	
8	4	07-1718	.38" Lock Washer	
9	2	07-1973	.31" UNC X 1.25" Hex Capscrew	
10	2	07-3273	.31" Lock Washer	
11	4	07-3279	.38" Flat Washer - GR8	
12	4	07-3654	.38" UNC Hex Nut - GR8	
13	2	07-4032	.25" Flat Washer - GR8	
14	1	13-13254	Tank - Front	

Hydraulic Tank Assemblies



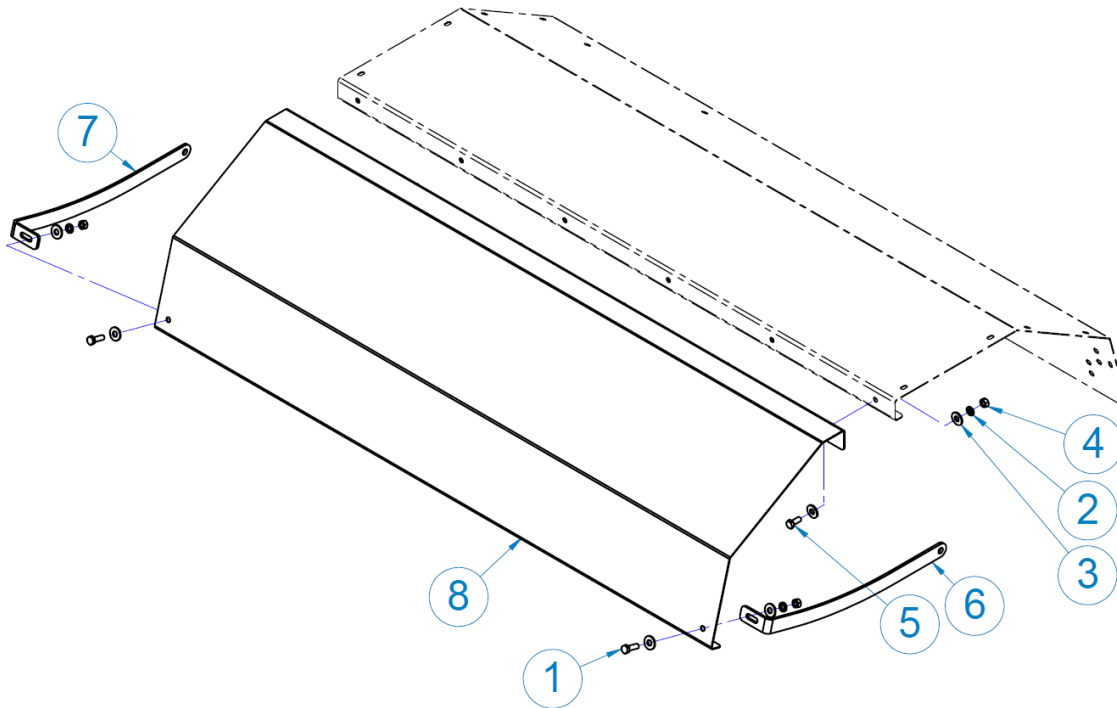
Item	Qty	Part No.	Name	Additional Info
REF	-	11-5321	Front Mounted Tank Assembly	
1	1	03-0039	Fitting 12FP-12MP	
2	2	03-0454	90° Hose Barb	
3	1	03-0744	Filter Element	
4	1	03-0745	Filter Base	
5	1	03-1039	90° Elbow 12FP-12MP	
6	1	03-1182-1	Square Plug - 2P	
7	1	03-1182-4	Square Plug - 8P	
8	4	07-0025	.38" UNC X 1.25" Hex Capscrew - GR2	
9	4	07-0154	.38" Flat Washer - GR2	
10	4	07-0168	.38" Lock Washer - GR2	
11	4	07-0183	.38" UNC Hex Nut - GR2	
12	1	07-0245	Breather Cap	
13	2	07-0551	Spring Clamp - .25" Hose	
14	2	07-1192	1.25" T-Bolt Clamp	
15	1.5 ft	09-0054	.38" Tube	
16	1	11-7582	Tank - Front	

Dirt Deflectors - Serial Number 0713001 and UP



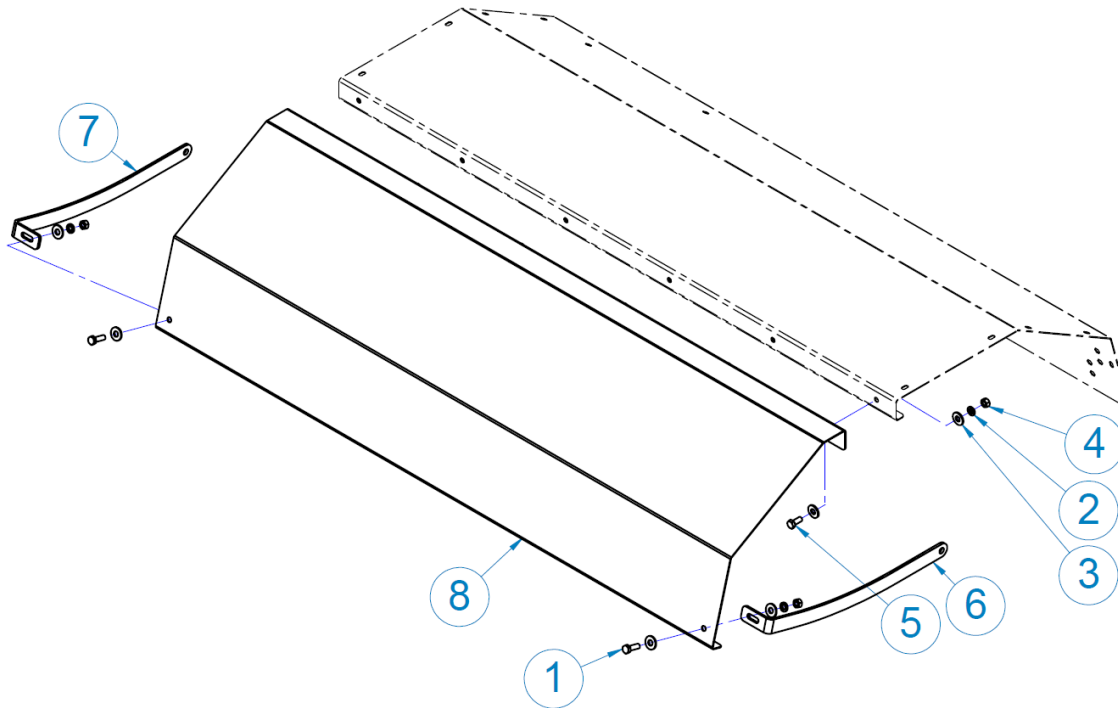
Item	Qty	Part No.	Name	Additional Info
REF	-	28-10162-4	4' Deflector Kit	
1	2	07-1714	.31" UNC X 1.00" Hex Capscrew - GR8	
2	8	07-3273	.31" Lock Washer	
3	16	07-3275	.31" Flat Washer - GR8	
4	8	07-3278	.31" UNC Hex Nut	
5	6	07-3436	.31" UNC X .75" Hex Capscrew - GR8	
6	1	13-13634	Mounting Plate - Left	
7	1	13-13635	Mounting Plate - Right	
8	1	13-16201-4	Dirt Deflector - 4'	

Dirt Deflectors - Serial Number 0713001 and UP



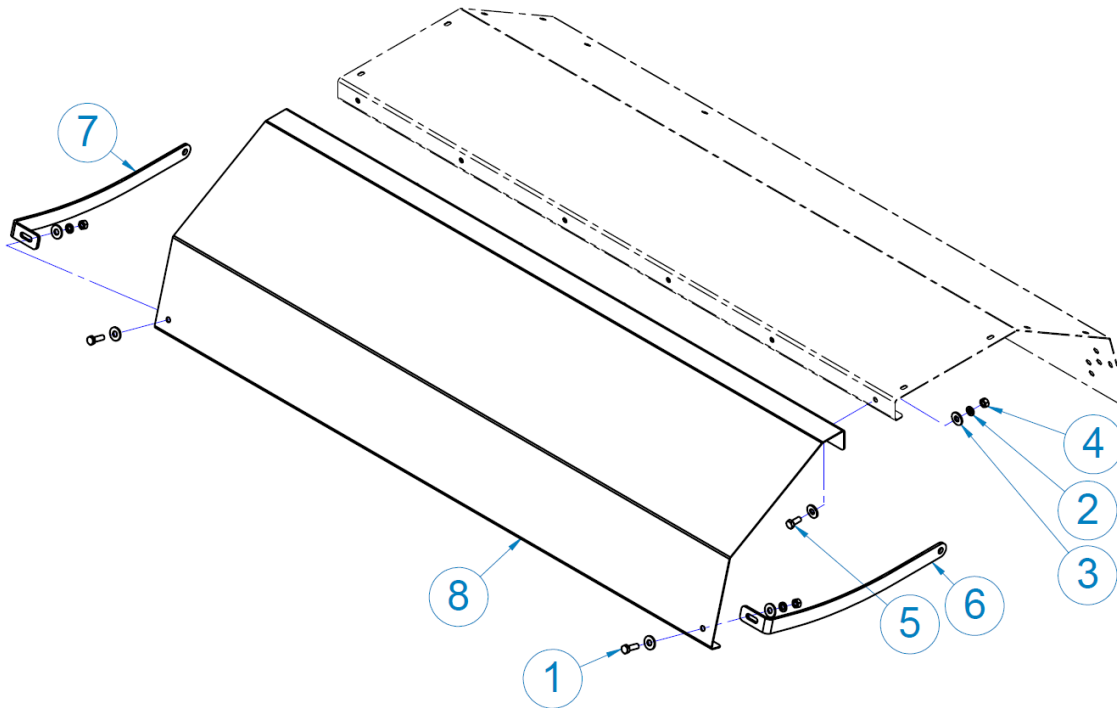
Item	Qty	Part No.	Name	Additional Info
REF	-	28-10162-5	5' Deflector Kit	
1	2	07-1714	.31" UNC X 1.00" Hex Capscrew - GR8	
2	8	07-3273	.31" Lock Washer	
3	16	07-3275	.31" Flat Washer - GR8	
4	8	07-3278	.31" UNC Hex Nut	
5	6	07-3436	.31" UNC X .75" Hex Capscrew - GR8	
6	1	13-13634	Mounting Plate - Left	
7	1	13-13635	Mounting Plate - Right	
8	1	13-16201-5	Dirt Deflector - 5'	

Dirt Deflectors - Serial Number 0713001 and UP



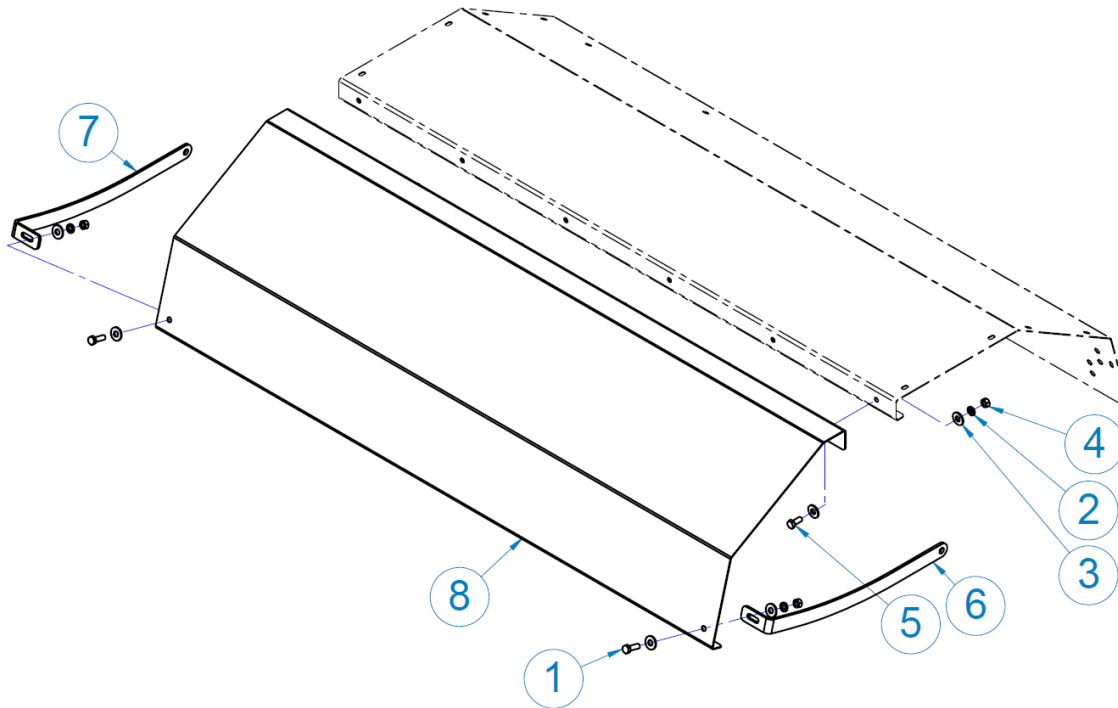
Item	Qty	Part No.	Name	Additional Info
REF	-	28-10162-6	6' Deflector Kit	
1	2	07-1714	.31" UNC X 1.00" Hex Capscrew - GR8	
2	8	07-3273	.31" Lock Washer	
3	16	07-3275	.31" Flat Washer - GR8	
4	8	07-3278	.31" UNC Hex Nut	
5	6	07-3436	.31" UNC X .75" Hex Capscrew - GR8	
6	1	13-13634	Mounting Plate - Left	
7	1	13-13635	Mounting Plate - Right	
8	1	13-13633	Dirt Deflector	

Dirt Deflectors - Serial Number 0713001 and UP



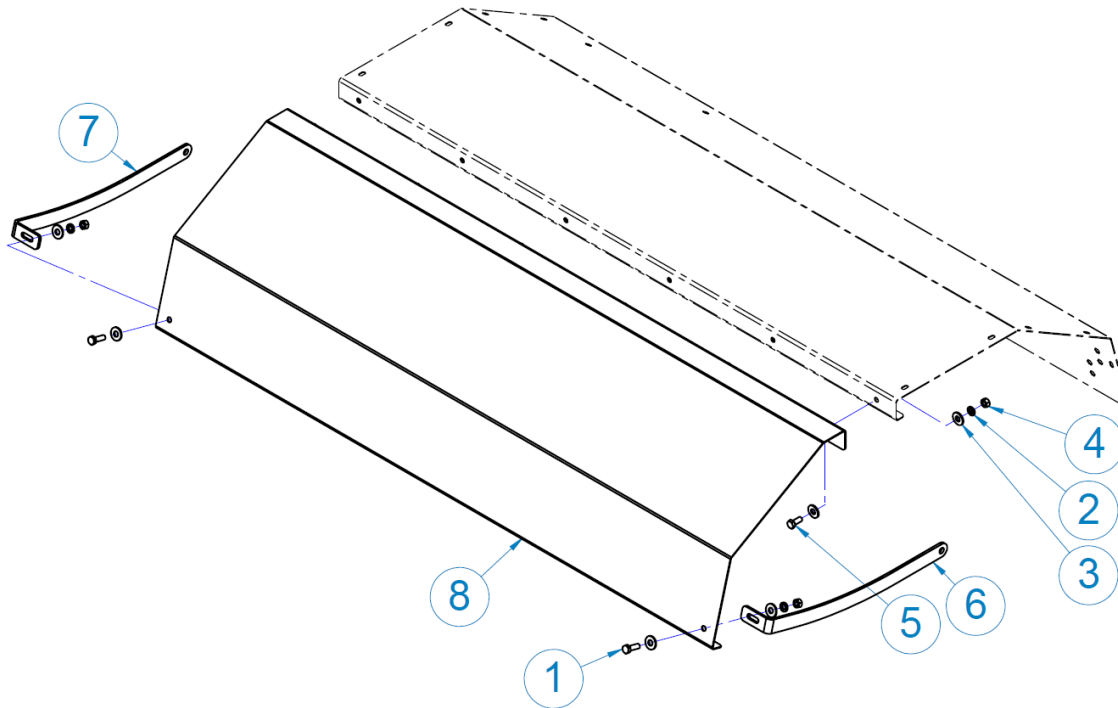
Item	Qty	Part No.	Name	Additional Info
REF	-	28-10162-7	7' Deflector Kit	
1	2	07-1714	.31" UNC X 1.00" Hex Capscrew - GR8	
2	8	07-3273	.31" Lock Washer	
3	16	07-3275	.31" Flat Washer - GR8	
4	8	07-3278	.31" UNC Hex Nut	
5	6	07-3436	.31" UNC X .75" Hex Capscrew - GR8	
6	1	13-13634	Mounting Plate - Left	
7	1	13-13635	Mounting Plate - Right	
8	1	13-16201-7	Dirt Deflector - 7'	

Dirt Deflectors - Serial Number 0713001 and DOWN



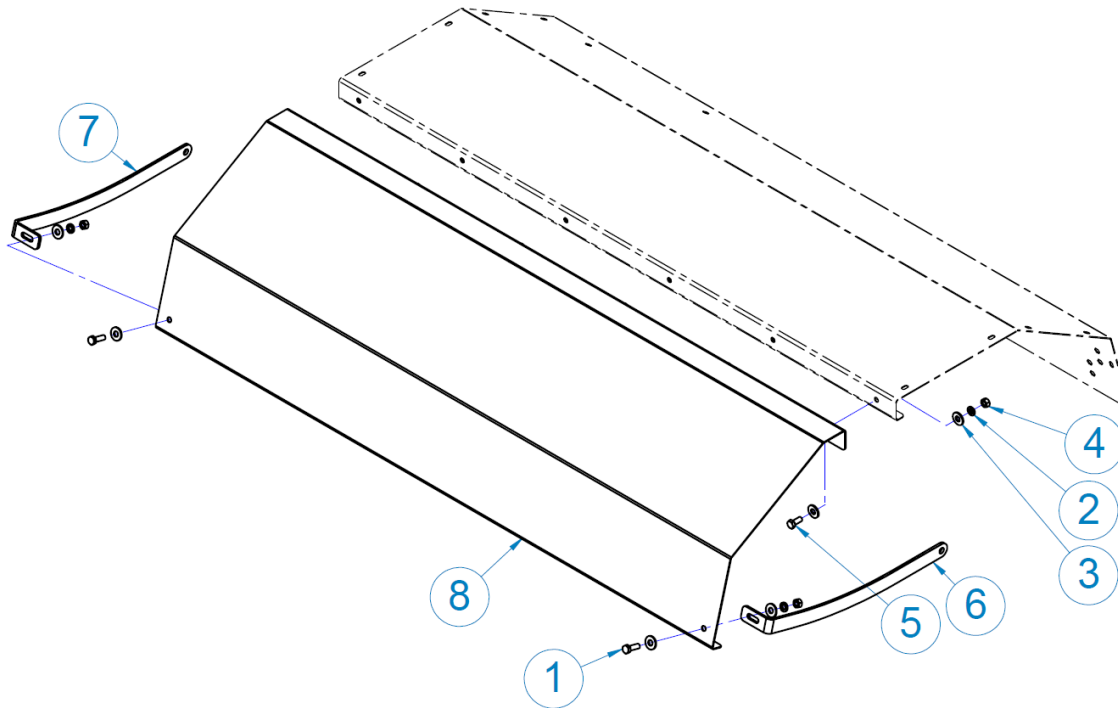
Item	Qty	Part No.	Name	Additional Info
REF	-	28-9757	4' Deflector Kit	
1	2	07-1714	.31" UNC X 1.00" Hex Capscrew - GR8	
2	7	07-3273	.31" Lock Washer	
3	14	07-3275	.31" Flat Washer - GR8	
4	7	07-3278	.31" UNC Hex Nut	
5	5	07-3436	.31" UNC X .75" Hex Capscrew - GR8	
6	1	13-13634	Mounting Plate - Left	
7	1	13-13635	Mounting Plate - Right	
8	1	13-13645	Dirt Deflector - 4'	

Dirt Deflectors - Serial Number 0713001 and DOWN



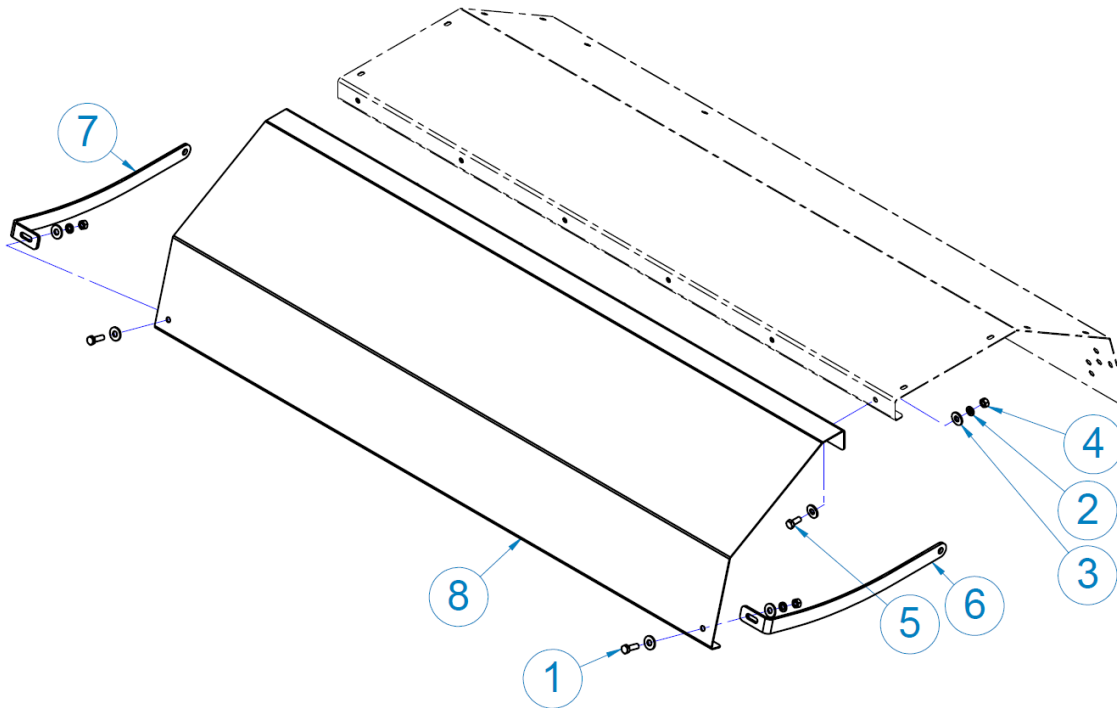
Item	Qty	Part No.	Name	Additional Info
REF	-	28-9756	5' Deflector Kit	
1	2	07-1714	.31" UNC X 1.00" Hex Capscrew - GR8	
2	8	07-3273	.31" Lock Washer	
3	16	07-3275	.31" Flat Washer - GR8	
4	8	07-3278	.31" UNC Hex Nut	
5	6	07-3436	.31" UNC X .75" Hex Capscrew - GR8	
6	1	13-13634	Mounting Plate - Left	
7	1	13-13635	Mounting Plate - Right	
8	1	13-13644	Dirt Deflector - 5'	

Dirt Deflectors - Serial Number 0713001 and DOWN



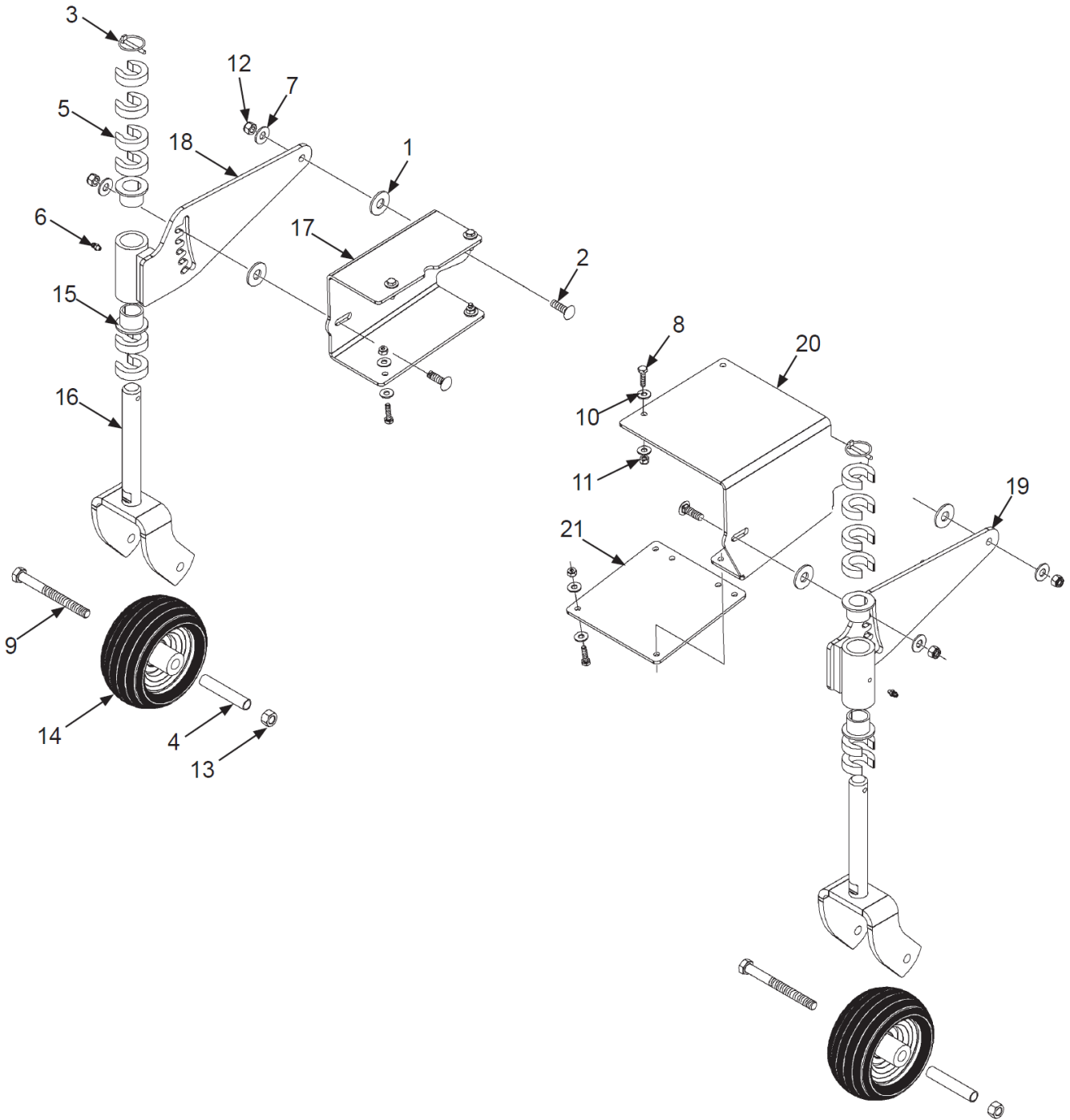
Item	Qty	Part No.	Name	Additional Info
REF	-	28-9752	6' Deflector Kit	
1	2	07-1714	.31" UNC X 1.00" Hex Capscrew - GR8	
2	8	07-3273	.31" Lock Washer	
3	16	07-3275	.31" Flat Washer - GR8	
4	8	07-3278	.31" UNC Hex Nut	
5	6	07-3436	.31" UNC X .75" Hex Capscrew - GR8	
6	1	13-13634	Mounting Plate - Left	
7	1	13-13635	Mounting Plate - Right	
8	1	13-13633	Dirt Deflector	

Dirt Deflectors - Serial Number 0713001 and DOWN



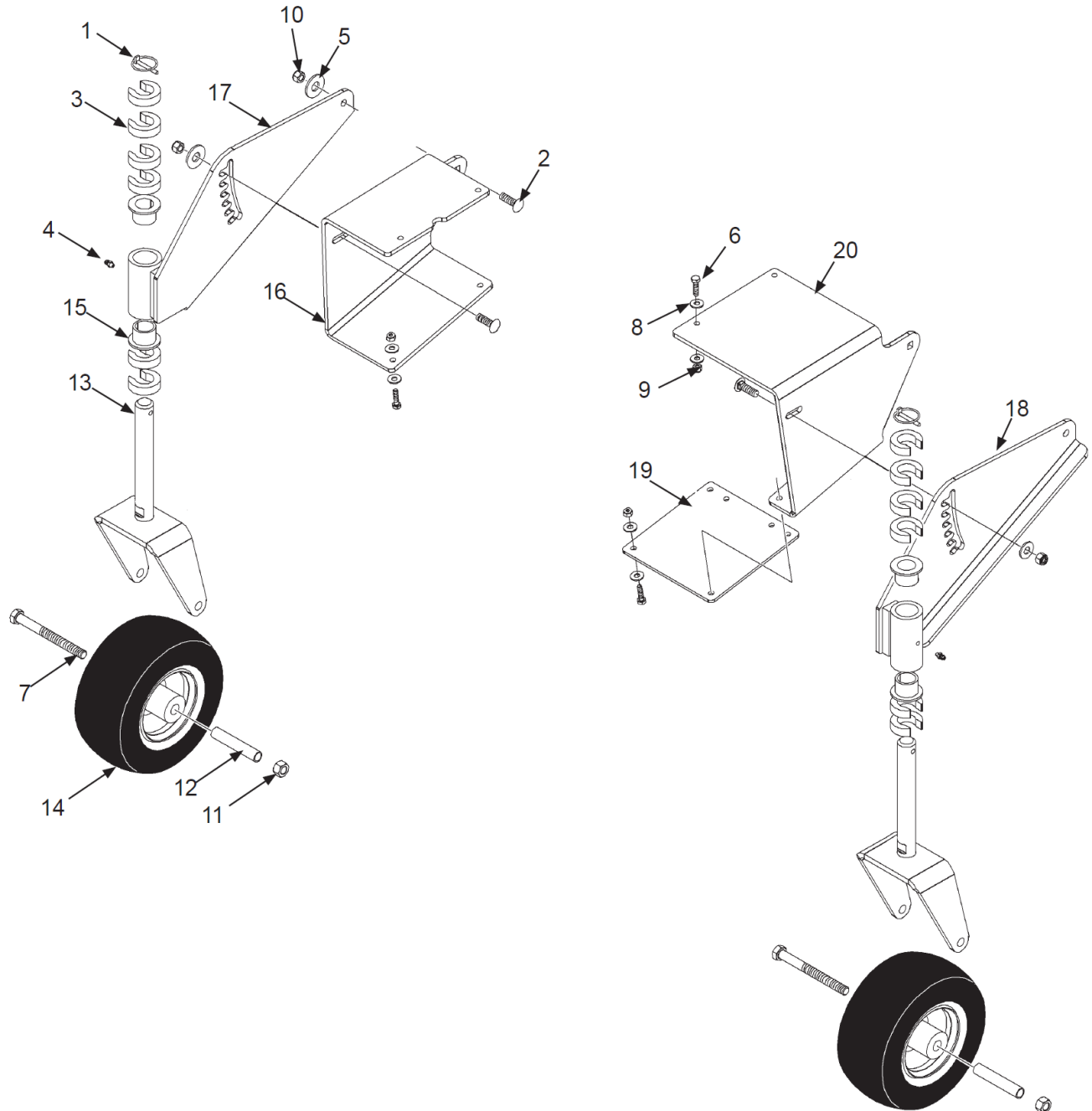
Item	Qty	Part No.	Name	Additional Info
REF	-	28-9763	7' Deflector Kit	
1	2	07-1714	.31" UNC X 1.00" Hex Capscrew - GR8	
2	9	07-3273	.31" Lock Washer	
3	18	07-3275	.31" Flat Washer - GR8	
4	9	07-3278	.31" UNC Hex Nut	
5	7	07-3436	.31" UNC X .75" Hex Capscrew - GR8	
6	1	13-13634	Mounting Plate - Left	
7	1	13-13635	Mounting Plate - Right	
8	1	13-13667	Dirt Deflector - 7'	

Side Mount Caster Wheels - Serial Number 0713001 and UP



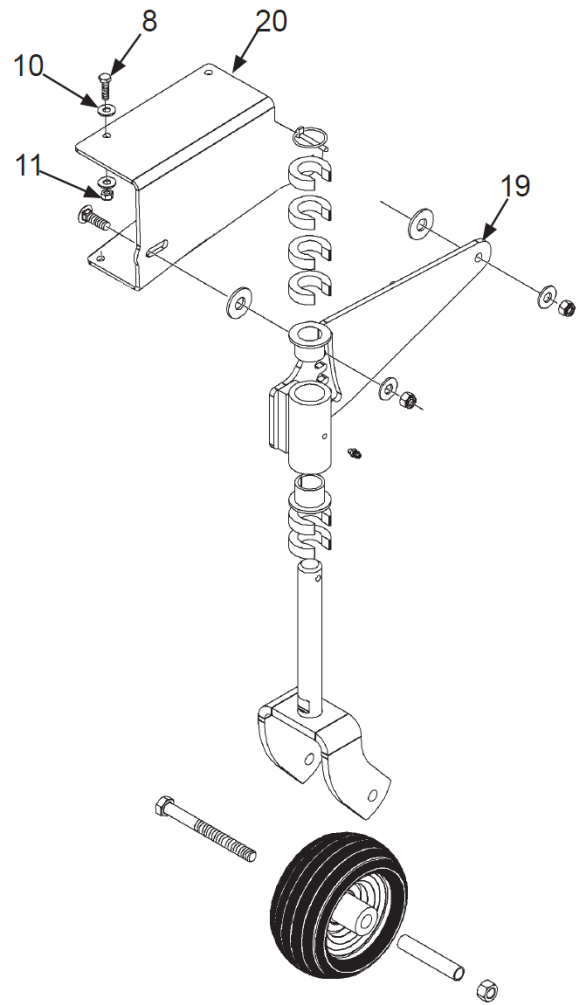
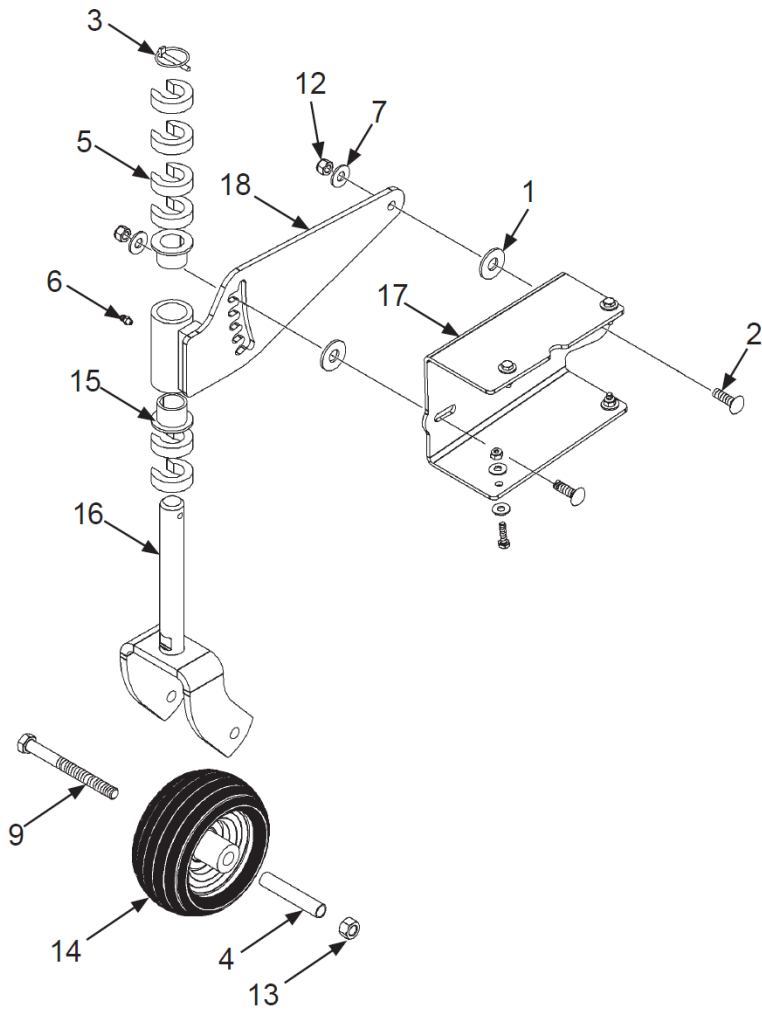
Item	Qty	Part No.	Name	Additional Info
REF	-	28-10498	Caster Wheel Kit - Side Mount	
1	4	07-0156	.50" Flat Washer - GR8	
2	4	07-1717	.38" UNC X 1.00" Carriage Bolt	
3	2	07-2843	Klik Pin .19" X 1.62"	
4	2	07-3013	Bushing	
5	12	07-3015	Spacer	
6	2	07-3112	Grease Fitting	
Comments for Part Num. 07-3112				
Apply 08-2266 (NGLI # 2 Grease)				
7	4	07-3279	.38" Flat Washer - GR8	
8	10	07-3637	.25" UNC X 1.00" Hex Capscrew - GR8	
9	2	07-3676	.50" UNC X 5.00" Hex Capscrew - GR8	
10	20	07-4032	.25" Flat Washer - GR8	
11	10	07-4033	.25" UNC Nylock Nut - GR8	
12	4	07-4036	.38" UNC Nylock Nut	
13	2	07-4037	.50" UNC Nylock Nut - GR8	
14	2	07-4367	Caster Wheel 6.25" X .62"	
15	4	08-0131	Bearing	
16	2	13-12343	Caster Fork	
17	1	13-14209	Caster Mounting Plate	
18	1	13-14211	Caster Adjustment Bracket	
19	1	13-14212	Caster Adjustment Bracket	
20	1	13-17203	Caster Top Mounting Plate	
21	1	13-17204	Caster Bottom Mounting Plate	

Side Mount Caster Wheels - Serial Number 0713001 and UP



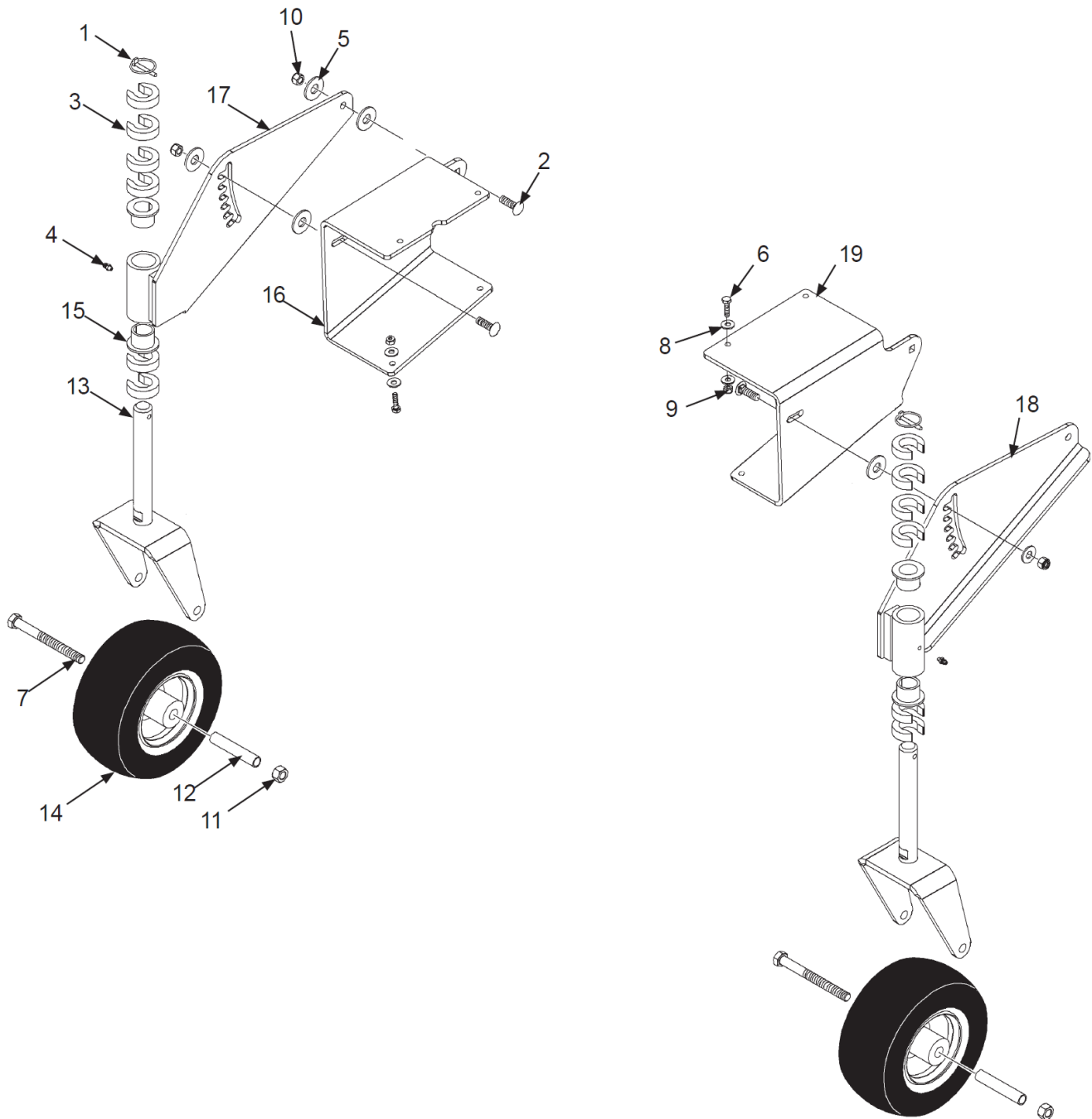
Item	Qty	Part No.	Name	Additional Info
REF	-	28-10499	Caster Wheel Kit - Side Mount	
1	2	07-0680	Klik Pin .44" X 1.38"	
2	4	07-1717	.38" UNC X 1.00" Carriage Bolt	
3	14	07-3015	Spacer	
4	2	07-3112	Grease Fitting	
Comments for Part Num. 07-3112				
Apply 08-2266 (NGLI # 2 Grease)				
5	4	07-3279	.38" Flat Washer - GR8	
6	10	07-3637	.25" UNC X 1.00" Hex Capscrew - GR8	
7	2	07-3677	.50" UNC X 5.50" Hex Capscrew - GR8	
8	20	07-4032	.25" Flat Washer - GR8	
9	10	07-4033	.25" UNC Nylock Nut - GR8	
10	4	07-4036	.38" UNC Nylock Nut	
11	2	07-4037	.50" UNC Nylock Nut - GR8	
12	2	07-4493	Bushing	
13	2	07-4494	Caster Fork	
14	2	07-4495	Wheel - 9"	
15	4	08-0131	Bearing	
16	1	13-14220	Caster Mounting Plate	
17	1	13-14222	Caster Adjustment Bracket	
18	1	13-14223	Caster Adjustment Bracket	
19	1	13-17204	Caster Bottom Mounting Plate	
20	1	13-17221	Caster Top Mounting Plate	

Side Mount Caster Wheels - Serial Number 0713001 and DOWN



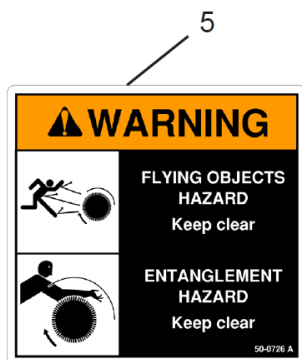
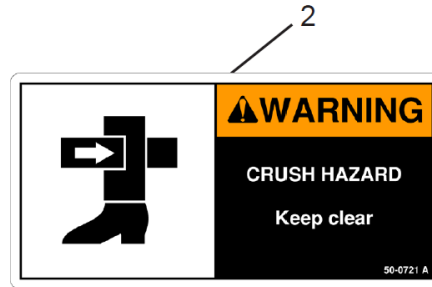
Item	Qty	Part No.	Name	Additional Info
REF	-	28-9890	Caster Wheel Kit - Side Mount	
1	4	07-0156	.50" Flat Washer - GR8	
2	4	07-1717	.38" UNC X 1.00" Carriage Bolt	
3	2	07-2843	Klik Pin .19" X 1.62"	
4	2	07-3013	Bushing	
5	12	07-3015	Spacer	
6	2	07-3112	Grease Fitting	
Comments for Part Num. 07-3112				
Apply 08-2266 (NGLI # 2 Grease)				
7	4	07-3279	.38" Flat Washer - GR8	
8	10	07-3637	.25" UNC X 1.00" Hex Capscrew - GR8	
9	2	07-3676	.50" UNC X 5.00" Hex Capscrew - GR8	
10	16	07-4032	.25" Flat Washer - GR8	
11	8	07-4033	.25" UNC Nylock Nut - GR8	
12	4	07-4036	.38" UNC Nylock Nut	
13	2	07-4037	.50" UNC Nylock Nut - GR8	
14	2	07-4367	Caster Wheel 6.25" X .62"	
15	4	08-0131	Bearing	
16	2	13-12343	Caster Fork	
17	1	13-14209	Caster Mounting Plate	
18	1	13-14211	Caster Adjustment Bracket	
19	1	13-14212	Caster Adjustment Bracket	
20	1	13-14210	Caster Mounting Plate	

Side Mount Caster Wheels - Serial Number 0713001 and DOWN



Item	Qty	Part No.	Name	Additional Info
REF	-	28-9891	Caster Wheel Kit - Side Mount	
1	2	07-0680	Klik Pin .44" X 1.38"	
2	4	07-1717	.38" UNC X 1.00" Carriage Bolt	
3	14	07-3015	Spacer	
4	2	07-3112	Grease Fitting	
Comments for Part Num. 07-3112				
Apply 08-2266 (NGLI # 2 Grease)				
5	4	07-3279	.38" Flat Washer - GR8	
6	8	07-3637	.25" UNC X 1.00" Hex Capscrew - GR8	
7	2	07-3677	.50" UNC X 5.50" Hex Capscrew - GR8	
8	16	07-4032	.25" Flat Washer - GR8	
9	8	07-4033	.25" UNC Nylock Nut - GR8	
10	4	07-4036	.38" UNC Nylock Nut	
11	2	07-4037	.50" UNC Nylock Nut - GR8	
12	2	07-4493	Bushing	
13	2	07-4494	Caster Fork	
14	2	07-4495	Wheel - 9"	
15	4	08-0131	Bearing	
16	1	13-14220	Caster Mounting Plate	
17	1	13-14222	Caster Adjustment Bracket	
18	1	13-14223	Caster Adjustment Bracket	
19	1	13-14221	Caster Mounting Plate	

Replacement Decals



Item	Qty	Part No.	Name	Additional Info
1	1	41043	Warning! Hazardous Dust	
2	2	50-0721	Warning! Crush Hazard	
3	1	50-0722	Warning! Misuse Hazard	
4	1	50-0724	Warning! High Pressure Fluid	
5	2	50-0726	Warning! Flying Objects	
6		VARIES	Contact your local dealer to purchase model number and logo decals	

Comments for Page: Verbiage Decals

IMPORTANT: See operator's manual for placement & definition

Comments for Chapter: Replacement Decals

IMPORTANT: See operator's manual for placement & definition