

 **BRADCO**

 **FFC**

 **HARLEY**

 **MAJOR**

 **McMILLEN**

 **SWEEPSTER**

PALADIN LIGHT CONSTRUCTION

Mounting Instructions and Parts List For



SWEEPSTER

Assembly: 28-10072

Caster Kit WSP

1.	07-3274	1	Washer, Lock
2.	07-3275	1	Washer, Flat
3.	07-3276	1	Washer, Flat
4.	07-3278	1	Nut, Hex, 3/8"
5.	07-3279	1	Washer, Flat
6.	07-3280	1	Bolt, Cap, 3/8" x 1.75"
7.	07-3281	1	Washer, Lock, Split, Vertical, M8
8.	07-4036	1	Nut, Hex, Nylock 3/8"
9.	07-4888	1	Screw, HHC, CL10.9, JAF, 1/2"
10.	13-15718	1	WSP Mounting, Caster, Left
11.	13-15717	1	WSP Mounting, Caster, Right
12.	13-15721	1	WSP Mounting, Caster, Left
13.	13-15722	1	WSP Mounting, Caster, Right
14.	13-15734	1	WSP Mounting, Caster, Left
15.	13-15735	1	WSP Mounting, Caster, Right

 **SWEEPSTER**

2800 North Zeeb Road • Dexter, Michigan 48130-9797
734-996-9116 • 1-800-456-7100 • FAX 734-996-9014

Mounting Instructions

1. Unpack parts and then compare them to the parts list. If you discover any shortages, contact SWEEPSTER or your dealer.

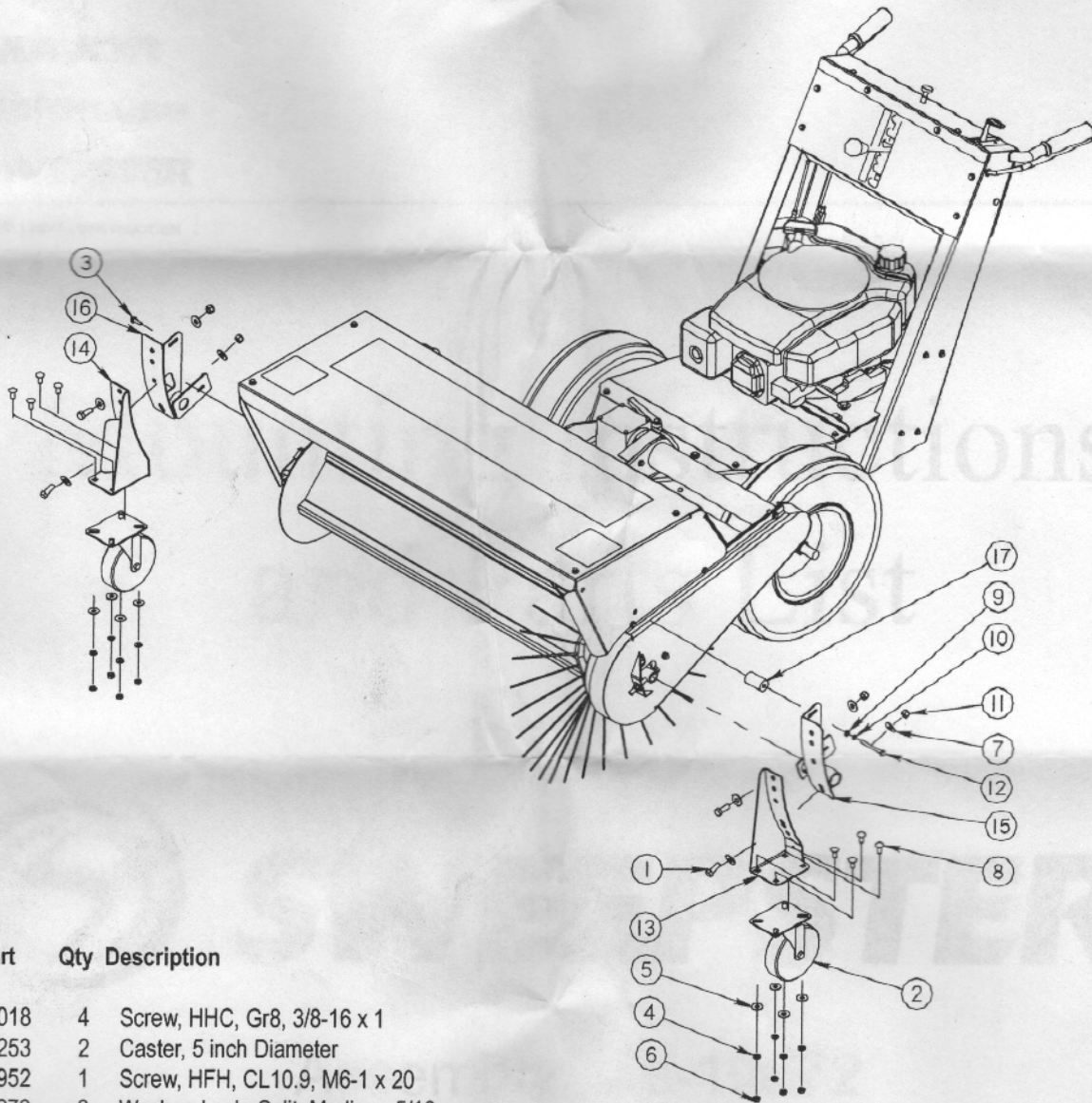
NOTE - Right-hand, left-hand, front and rear are determined from the perspective of the operator.

2. Remove right and left core adjustment weldments (13-15292).
3. Install the caster adjustment weldments 13-15721 and 13-15722 with the previously removed hardware.
4. Adjust the brush chain tension per the brush core installation instructions in the owners manual.
5. Assemble casters to the caster mounting weldments.
6. Install the casters in similar locations allowing for a two inch sweeping pattern. The caster height location for the pattern is subject to the material to be moved and may require adjustment. See owners manual.
7. As the brush is consumed from sweeping adjust the casters up to allow for the proper sweeping pattern. See owners manual.
8. The casters can be used for minimal depths of snow, but should be removed for use in snow that is two inches or more.



2800 North Zeeb Road • Dexter, Michigan 48130-9797
734-996-9116 • 1-800-456-7100 • FAX 734-996-9014

Parts List



Item	Part	Qty	Description
1.	07-0018	4	Screw, HHC, Gr8, 3/8-16 x 1
2.	07-0253	2	Caster, 5 inch Diameter
3.	07-2952	1	Screw, HFH, CL10.9, M6-1 x 20
4.	07-3273	8	Washer, Lock, Split, Medium, 5/16
5.	07-3275	8	Washer, Flat, Gr8, 5/16
6.	07-3278	8	Nut, Hex, Gr8, 5/16-18
7.	07-3279	8	Washer, Flat, Gr8, 3/8
8.	07-3280	8	Bolt, Carriage, Gr5, 5/16-18 x 3/4
9.	07-3728	1	Washer, Flat, CL8.8, M6
10.	07-3730	1	Washer, Lock, Split, Medium, M6
11.	07-4036	4	Nut, Hex, Nylock, 3/8-16
12.	07-4669	1	Screw, HHC, CL10.9, M6-1 x 60mm
13.	13-15716	1	Weld, Mounting, Caster, Left
14.	13-15717	1	Weld, Mounting, Caster, Right
15.	13-15721	1	Weld, Adjustment, Core, Left
16.	13-15722	1	Weld, Adjustment, Core, Right
17.	13-15733	1	Tube, Round, 1 x 5/16 x 1.7



2800 North Zeeb Road • Dexter, Michigan 48130-9797
734-996-9116 • 1-800-456-7100 • FAX 734-996-9014