



BRADCO

FFC

HARLEY

MCMILLEN

SWEEPSTER

The Power of Combined Excellence

Mounting Instructions and Parts List For



SWEEPSTER

Assembly 11-17615
CTH, Front Tank for
John Deere 1445



2800 North Zeeb Road • Dexter, Michigan 48130-9797
734-996-9116 • 1-800-456-7100 • FAX 734-996-9014

51-4294, 1/12

Notes

1. [Faint text]

2. [Faint text]

3. [Faint text]

4. [Faint text]

5. [Faint text]

6. [Faint text]

7. [Faint text]

8. [Faint text]

9. [Faint text]

10. [Faint text]

[Faint mirrored text, likely bleed-through from the reverse side of the page]



2800 North Zeeb Road • Dexter, Michigan 48130-9797
734-996-9116 • 1-800-456-7100 • FAX 734-996-9014

Mounting Instructions

Assembly 11-17615

1. Unpack parts and then compare them to the parts list.
If you discover any shortages, contact SWEEPSTER or your dealer.
2. Remove the mower deck and drive shaft from the tractor.
3. Attach the mounting frame to the tractor using pins from mower.
4. Connect chains on the sweeper mounting frame to the tractor frame.
5. Attach the tank to the mounting frame using hardware provided.
6. Connect the drive shaft to the bearing and the U-joint on the tractor PTO. Tighten the hardware.
7. Install barb fittings on the tank and the pump inlet.
8. Connect the suction hose to the barb fittings with clamps.
9. Connect the return-line hose from the pump assembly to the tank.
10. Install the swing assembly and brush head according to operator's manual instructions with the follow exception:
 - a. Use hardware provided in this assembly to mount brush head to swing plate.
 - b. Center screw should be tight enough to still allow brush frame to pivot side to side.
 - c. The two outside screws should be tight enough so the brush frame will still pivot.
 - d. Hardware tension may need to be adjusted to get desired brush frame pivoting.



Parts List

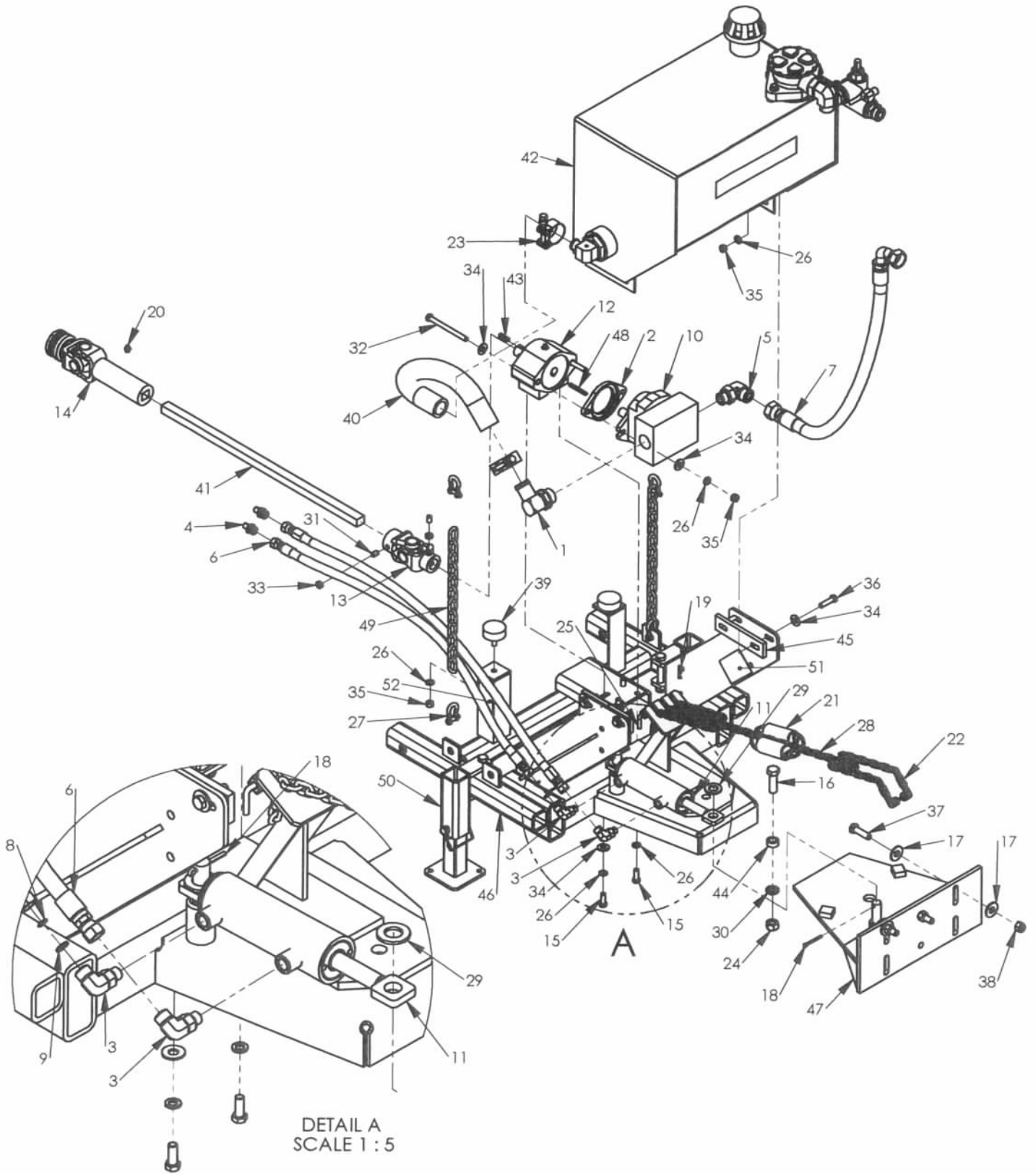
Item	Part	Qty	Description
1.	03-0710	1	Barb, 20, 16MB90
2.	03-1334	1	Spacer, A Flange, Aluminum
3.	03-2092	2	Elbow, 90°, 6MB-6MF
4.	03-2159	2	Fitting, 6MF-4MP
5.	03-2177	1	Elbow, 90°, 12MB-12MF
6.	03-2270	2	Hose, .38 x 72, 6FF-6FF, 4.75K
7.	03-2576	1	Hose, .75 x 36, 12FF-12FF90, 3.1K
8.	03-3573	1	O-Ring, Face Seal, 3/8 SAE #6
9.	03-4668	1	Plate, Hydraulic, Orifice .028
10.	03-5324	1	Pump, 1.65 CID, 2 Bolt-A, CCW
11.	03-5719	1	Cylinder, 1.75 x .75 x 4, 3.5K
12.	05-0802	1	Block, Bearing, 1RD, 3/4RD
13.	05-0926	1	U-Joint, H7, Rectangular, 1RD
14.	05-0927	1	U-Joint, H7/L6, Rectangular
15.	07-0018	4	Screw, HHC, Gr8, 3/8-16 x 1
16.	07-0066	1	Screw, HHC, Gr8, 5/8-11 x 2
17.	07-0156	4	Washer, Flat, Gr8, 1/2
18.	07-0206	2	Pin, Cotter, Gr2, 3/16 x 2
19.	07-0209	1	Clip, Hairpin, 16Ga x 1 3/8
20.	07-0223	1	Fitting, Zerk, Straight, 1/8NPT
21.	07-0237	2	Spring, Tension, 1 13/32 x 6
22.	07-0387	2	Chain, 3/16, 26 Links
23.	07-1192	2	Clamp, T-Bolt, 1 1/4
24.	07-1294	1	Nut, Hex, Gr8, 5/8-11
25.	07-1709	1	Pin, Clevis, 1/4 x 4 1/2
26.	07-1718	12	Washer, Lock, Split, Medium, 3/8
27.	07-1732	4	Shackle, Chain, 1/4, with Screw Pin
28.	07-1759	1	Chain, 3/16, 36 Links
29.	07-1782	2	Washer, Flat, Gr2, 3/4 SAE
30.	07-1872	1	Washer, Lock, Split, Medium, 5/8
31.	07-1882	2	Screw, Set, 3/8-16 x 5/8
32.	07-2488	2	Screw, HHC, Gr8, 3/8-16 x 4 1/2
33.	07-3272	2	Nut, Hex, Jam, Gr8, 3/8-16
34.	07-3279	10	Washer, Flat, Gr8, 3/8
35.	07-3654	8	Nut, Hex, Gr8, 3/8-16
36.	07-3655	4	Screw, HHC, Gr8, 3/8-16 x 1 1/2
37.	07-3671	3	Screw, HHC, Gr8, 1/2-13 x 1 3/4
38.	07-4037	3	Nut, Hex, Nylock, Gr8, 1/2-13
39.	07-5903	2	Mount, Vibration, Single End Male, 3/8-16 Stud
40.	09-0020	4.5ft	Hose, Suction, 1 1/4
41.	11-1597	1	Shaft, Rectangular, 24
42.	11-5444	1	Assembly, Tank, with Relief
43.	11-6526	1	Key, 1/4 x 1
44.	11-7479	1	Bushing, 1 x 5/8 x 7/16
45.	13-11707	2	Plate, Spacer, 3/8 x 1 1/2 x 6, with Slots
46.	13-13149	1	Weld, Frame, Mounting
47.	13-17224	1	Weld, Plate, Swing
48.	13-17791	1	Key, 3/16 x 2
49.	13-2896	2	Chain, 1/4, 12 Links
50.	28-10522	1	Kit, Stand, Bolt-On
51.	50-0635	1	Label, Plate, Part Number/Date
52.	50-0775	2	Label, Warning, Crush Hazard



2800 North Zeeb Road • Dexter, Michigan 48130-9797
734-996-9116 • 1-800-456-7100 • FAX 734-996-9014

Parts List

Assembly 11-17615



2800 North Zeeb Road • Dexter, Michigan 48130-9797
734-996-9116 • 1-800-456-7100 • FAX 734-996-9014

