

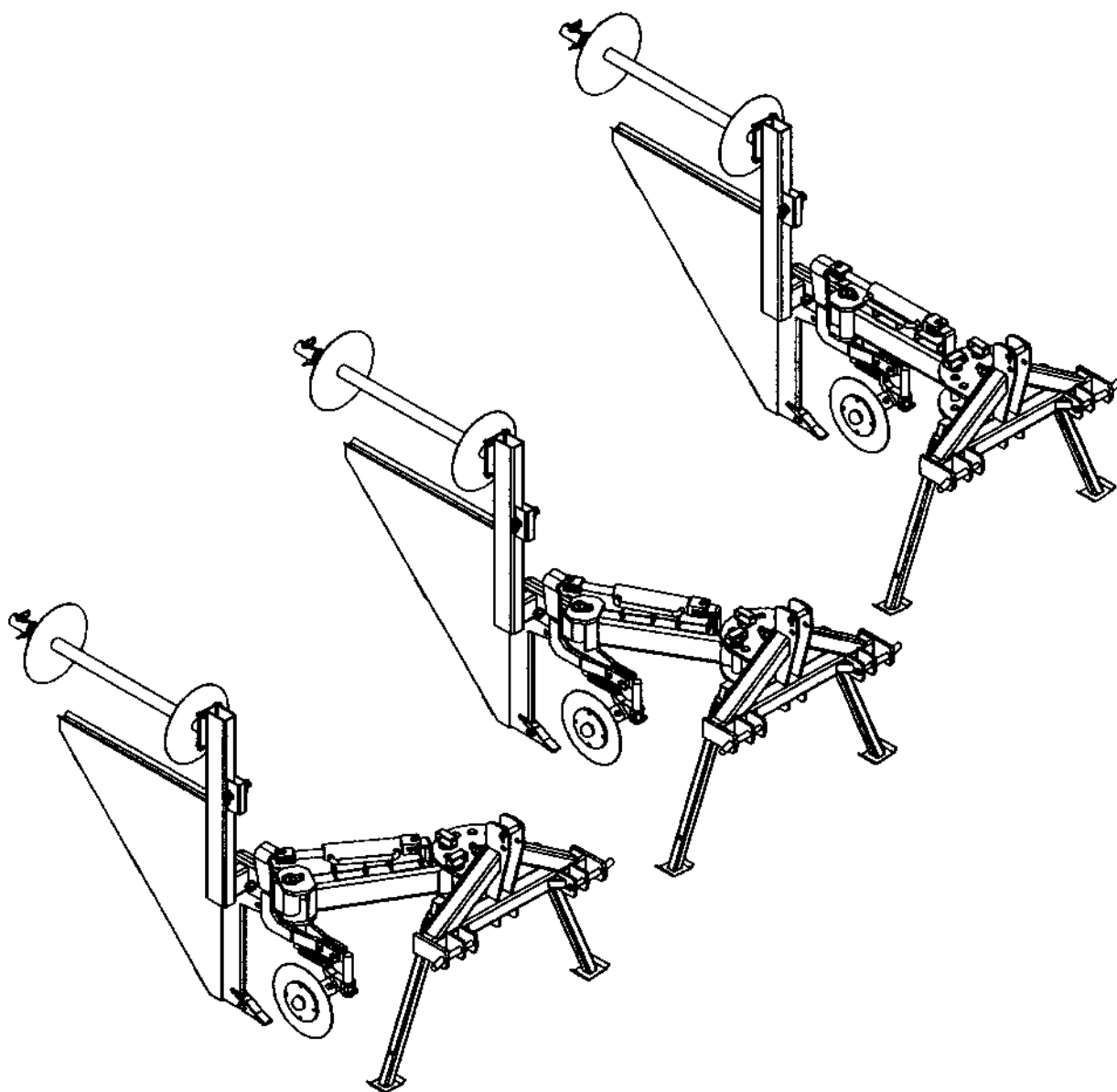
The Silt Fence Plow

Standard Offset Model

Patents

7,144,202 - 7,044,689

D502470 - D504134



Thank You

Thank you for purchasing "The Silt Fence Plow". Our goal is to manufacture a machine that will provide years of effective, trouble free use.

We have a number of calls from contractors who need silt fence installed but do not want to install the silt fence or do not have time to and would like to know if there is a contractor in their area who has one our machines that they could hire to do the work for them. If you would like to be listed on our website as a contractor please send us a picture of your company using "The Silt Fence Plow" and tell us why you like the machine. If you have a company logo, send it also. We can send you a proof before we put it on the web is your request it.

Email To: chris@sfp36.com

Assistance In the Operation Of "The Silt Fence Plow"

If you have questions in the operation of "The Silt Fence Plow feel free to call Chris McCormick @ 515-669-3427. This number is also on a decal on the machine so if you are in the field and have a question please feel free to call.

Parts for "The Silt Fence Plow"

Parts can be ordered for "The Silt Fence Plow" through the dealer you purchased the machine or by calling McCormick Equipment @ 515-669-3427. Please have a credit card # ready when ordering. We accept Mastercard, Visa, American Express. All parts are shipped prepaid. The cutting knife point has a Cat # in the book so it can be bought at any store that sells wear parts for buckets.

www.thesiltfenceplow.com

General Information

The information used in this manual was current at the time of printing. However, due to McCormick Equipments continual attempt to improve its product, production changes may cause your machine to appear slightly different in detail. McCormick Equipment reserves the right to change the specifications or design without notice and without incurring any obligation to install the same on machines previously manufactured.

Right hand (RH) and left hand (LH) as used throughout this manual, are determined by facing in the direction the machine will travel when in use unless otherwise stated.

Helpful tips for using “The Silt Fence Plow”™

“The Silt Fence Plow” installs fabric into the ground by its unique positive feed design. The ground grabs the fabric and as the machine moves forward it installs the fabric at a uniform depth tightly in the ground.

Fabric Material

Always try to use fabric that is tightly and evenly rolled. If the fabric is loose or telescoped it may feed off the fabric roll uneven. Do not use 2nds material (material that is uneven in its thickness throughout the roll). You can use the above materials although they may or may not cause problems installing the material.

Hard Ground-Egg shaped fabric

When using the machine in hard very dry ground , starting a new roll of fabric, using an egg shaped roll of fabric, or anytime you want the fabric to start easier unroll the fabric and leave some slack in the fabric above the fabric chute. This will allow the ground to grab more of the fabric before the roll of material starts turning. Also if the ground is extremely hard you may need to tilt the knife point down with the hydraulic top link cylinder to allow the machine to penetrate the ground quicker.

www.thesiltfenceplow.com

515-669-3427

Setting the desire depth of fabric installation

On most tractors with 3pt. hitches there is setting for the 3pt. hitch. If your machine does not have this or it is inoperable contact your local tractor dealer and they can help set the control. After you have the desired depth set you can simply drop the 3pt. lever and the machine will drop into the ground to the set operating depth. When going through ruts or severe swales you may need to raise or lower the machine to maintain the desired depth of installation. When using a skid loader you can mark the knife shank with a paint mark or hang a chain from the frame to manual maintain the desired depth of installation.

www.thesiltfenceplow.com

515-669-3427

Hydraulic Top Link Cylinder Operation

The Hydraulic top link cylinder is used in place of the rigid top link that comes with the tractor. The hydraulic top link cylinder allows the adjustment of the machine to follow the terrain of the ground as the fabric is being installed. The machine needs to run parallel to the terrain of the land to keep it from going too deep or coming out of the ground. The machine works best when run parallel with the ground. **If the machine gets tipped too far forward or too far back the fabric will not feed out of the chute properly. When the machine is tipped too far forward the fabric will be forced downward toward the bottom of the chute and the material will not be able to feed out properly.** Any Hydraulic cylinder that will fit between the tractor and the machine will work if you can get it hooked up. It must have enough stroke to allow the machine to be operated so the knife point will not be tipped too far forward. A cylinder with a 10"-12" cylinder stroke works well and a round welded cylinder is recommended because a tie rod cylinder (square with 4 bolts) will tend to break when side pressure is put on the cylinder. The top link cylinder is also used to tip the machine up during transport and to angle the knife point when starting a run into hard ground. A hydraulic top link cylinder is needed to operate "The Silt Fence Plow" properly.

When To Use And Not The Spring Loaded Cutting Coulter

The coulter can be used in most applications and must be used when installing material in areas of heavy vegetation or going through areas that have tree roots. The coulter will allow The Silt Fence Plow to pull easier through the ground in some very hard dry ground conditions. The coulter needs to be removed in rocky conditions and in some types of very soft mellow dirt due to the coulter sinking in too deep and pushing dirt instead of cutting through it.

Adjusting The Depth Of The Coulter And Removing The Coulter

The coulter depth can be adjusted by loosening the setscrew and sliding it up or down on the coulter rod until you reach your desired level of coulter depth. If you need to remove the coulter you can either loosen the setscrew and slide the coulter off the coulter rod or remove the two bolts in the frame and take off the coulter with the coulter rod. NOTE: if you leave the coulter rod on in rocky conditions a rock can come up and hit the rod and break it off.

When To Use The Fabric Curtain

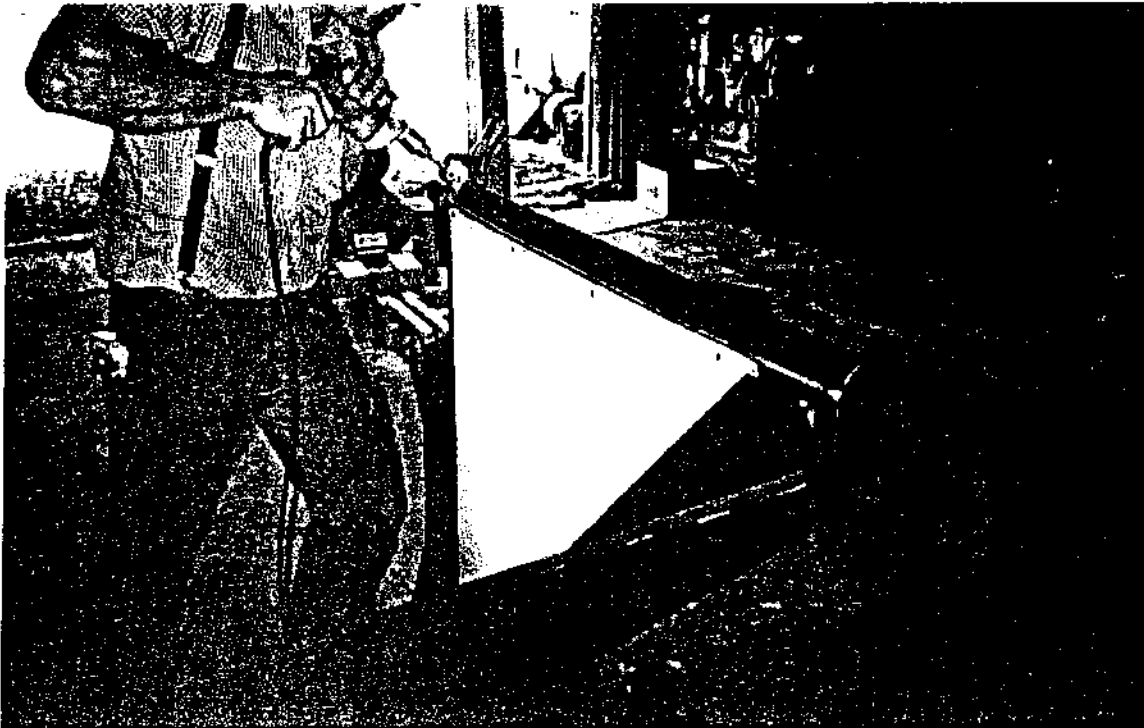
The fabric curtain is used when using a non woven geotextile that is not slick like the woven geotextiles. The fabric curtain divides the fabric chute so when the fabric goes through the chute the fabric does not rub against itself. In high humidity conditions fabric may grab and try and pull the fabric downward to the bottom of the chute. The fabric curtain will eliminate the fabric grabbing itself. The only time the curtain is needed is during the installation of non woven geotextiles and in some cases the 48" and the 42" fabric chutes can benefit from the fabric curtain because of the large volume of material going through the fabric chute when installing 48" and 42" material.

www.thesiltfenceplow.com
515-669-3427

Assembly Step # 6

Installation Of The Fabric Curtain (Optional Equipment)

The fabric curtain is an optional item on The Silt Fence Plow. The fabric curtain is needed when using non woven material and is also can also be useful when using the 48" and the 42" fabric chutes. The purpose of the fabric curtain is to keep the fabric from rubbing against itself and pulling itself down in the chute. If the fabric curtain is ordered with the machine it will come installed in the fabric chute and can easily be taken out by removing one bolt. If it is ordered afterward you will need to put the rod at the top of the curtain in the hole in the back of the chute (some machines may not have a hole in the rear of the chute and one will be needed drilled their also) then level the rod in the top of the chute and place the front bracket on the curtain so it matches the flare of the fabric chute and drill the hole and install and tighten the bolt.



Limited Warranty For New McCormick Equipment Products "The Silt Fence Plow"

McCormick warrants to the original purchaser that this product will be free from defects in material and workmanship. McCormick agrees to repair or replace, at manufacturer's discretion, any defective product free of charge within one year from the date of purchase.

If any of the warranted goods are found by McCormick to be defective in material or workmanship, such goods will at McCormick's option be replaced or repaired. All warranty claims will be addressed upon inspection of goods returned, prepaid, and /or review of the claim (photos with notification of alleged defects) by a direct McCormick representative.

NOTE: McCormick must authorize all work and returns prior to any work being performed or returns made. If the customer does perform work and makes a return without authorization, the customer does so with the understanding that McCormick or any of its agents shall not be obligated for the cost of any such unauthorized expenses or actions. The purchaser for of any goods covered by this warranty understands and agrees that the sole and exclusive remedy against McCormick shall be for the replacement or repair of defective goods as provided herein.

All allowances will be credited at factory cost, with no provisions for overtime, travel time, mileage, freight charges or special services, i.e. down time.

Proof of purchase in the form of your dated sales receipt showing serial # and the model of the product will be required before our dealers can perform warranty service on the product.

McCormick Equipment Products Warranty Period

1. Warranted for a period of one (1) year after date of original purchase to original purchaser.
2. Replacement parts provided under the terms of warranty applicable to and/or the product on which installed as if such parts were original components of that product.

McCormick Equipment Products Warranty Hereunder Shall Not Extend Or Apply To:

1. Defects which in our judgment are the result of misuse, negligence, accident, or failure to perform regular maintenance or service, and any parts that may wear and need to be replaced.
2. Products and component parts not manufactured by McCormick beyond the warranty period provided by the original manufacturer or supplier.
3. Products improperly installed, maintained, or used not in accordance with all applicable McCormick instructions.
4. Goods or component parts that are modified or changed in any way other than by or authorized by McCormick.

Question about service

Warranty questions or service can be obtained from your Silt Fence Plow Dealer or contact Chris McCormick @ 515-669-3427 www.thesiltfenceplow.com

Product and Warranty Registration

"The Silt Fence Plow"

Owner's Name: _____

Company Name: _____

Address: _____

City: _____ State: _____ Zip Code: _____

Phone Number: _____

Email Address: _____

Date Of Purchase: _____

Dealer Purchased From: _____

Customer Signature: _____

Date Sent In: _____

Model Of Machine: _____

Please fill out the above information and send it with a **copy of original sales receipt** to:

McCormick Equipment

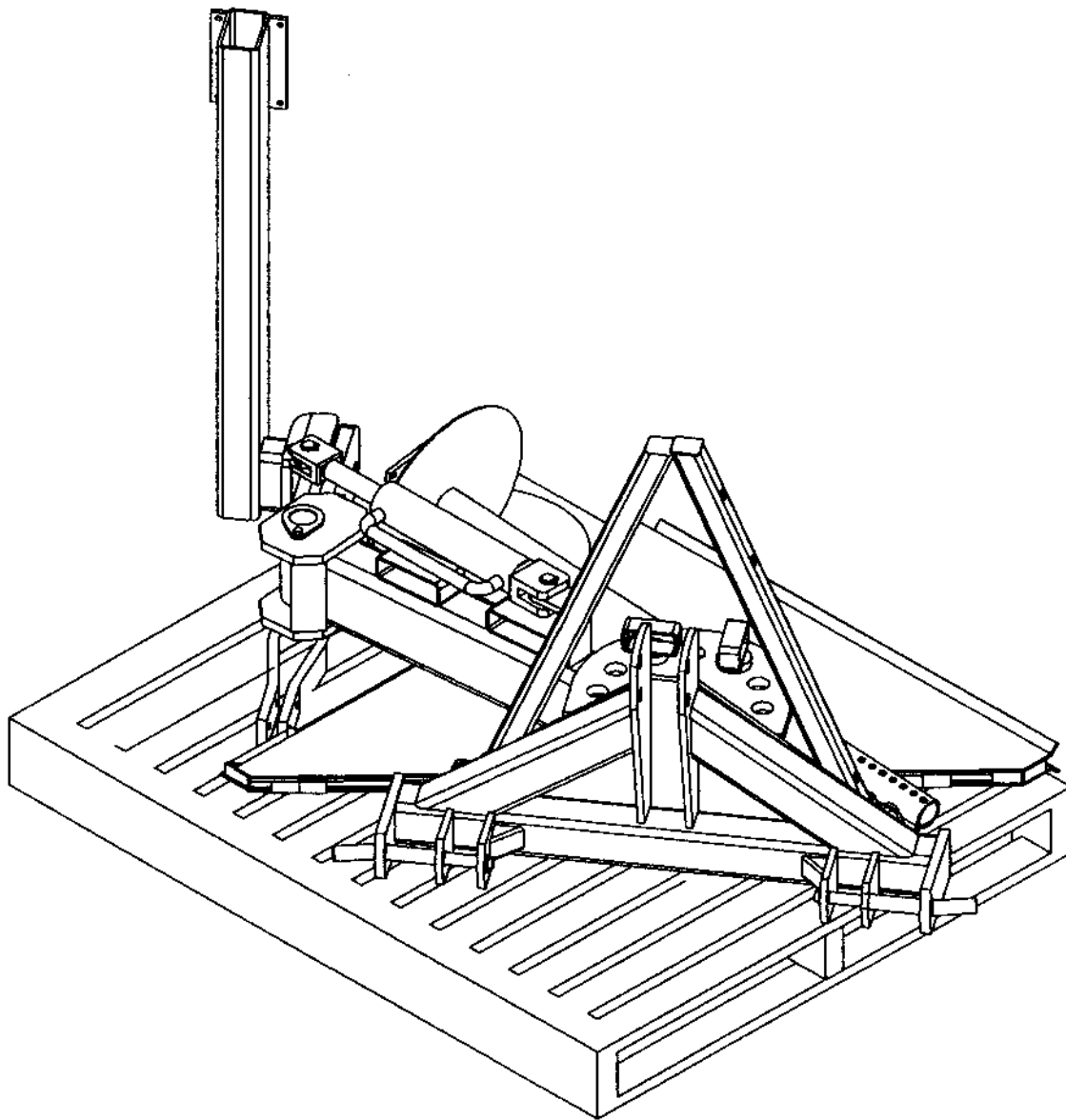
185 Hwy 92

Pleasantville, Iowa 50225

Email address: chris@sfp36.com Phone: 515-669-3427

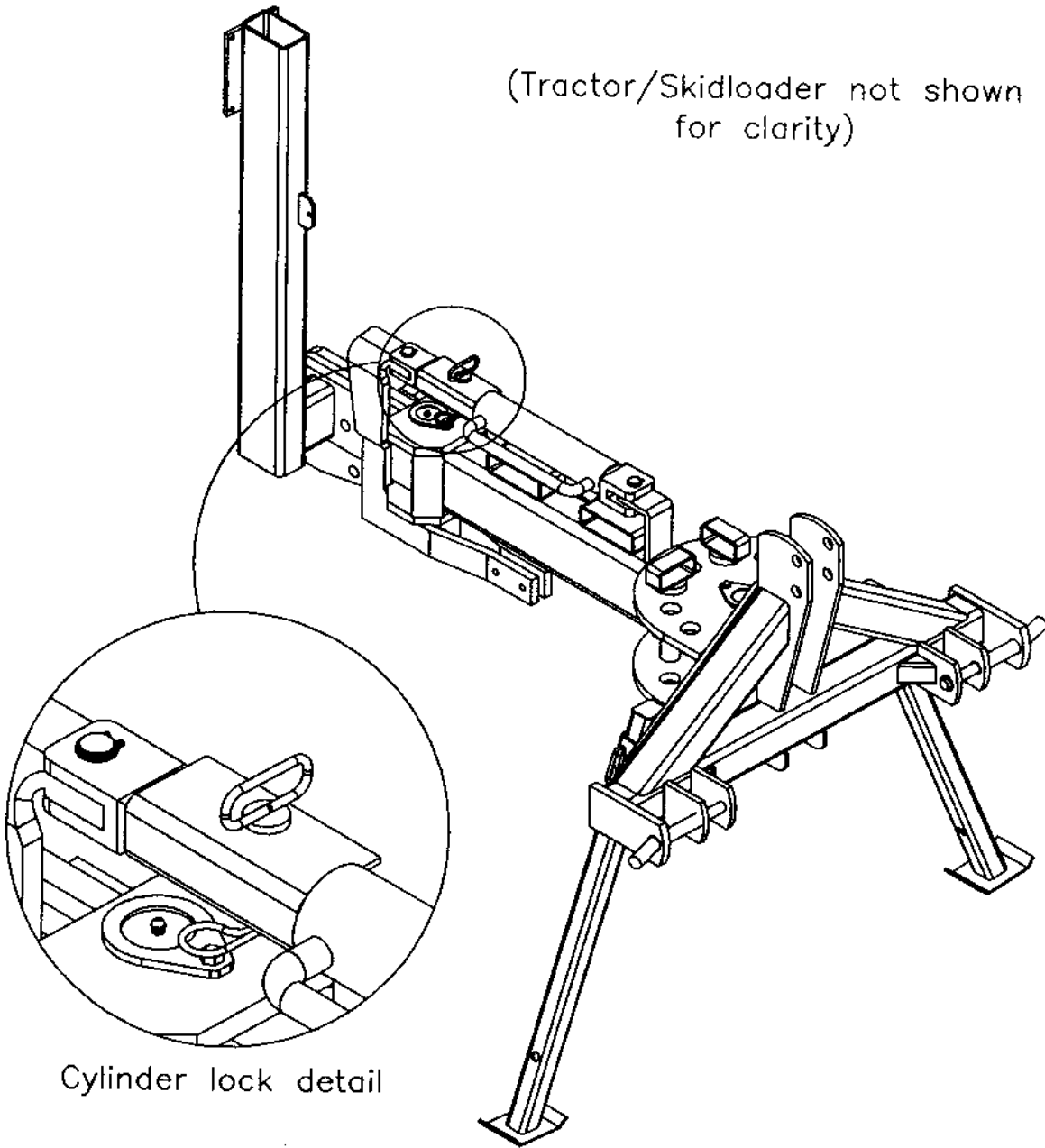
If you would like to be listed on our website as a contractor please list the email and contact person you would like to have us contact for your information:

Email address and contact: _____



Standard offset
will arrive on a pallet
as shown

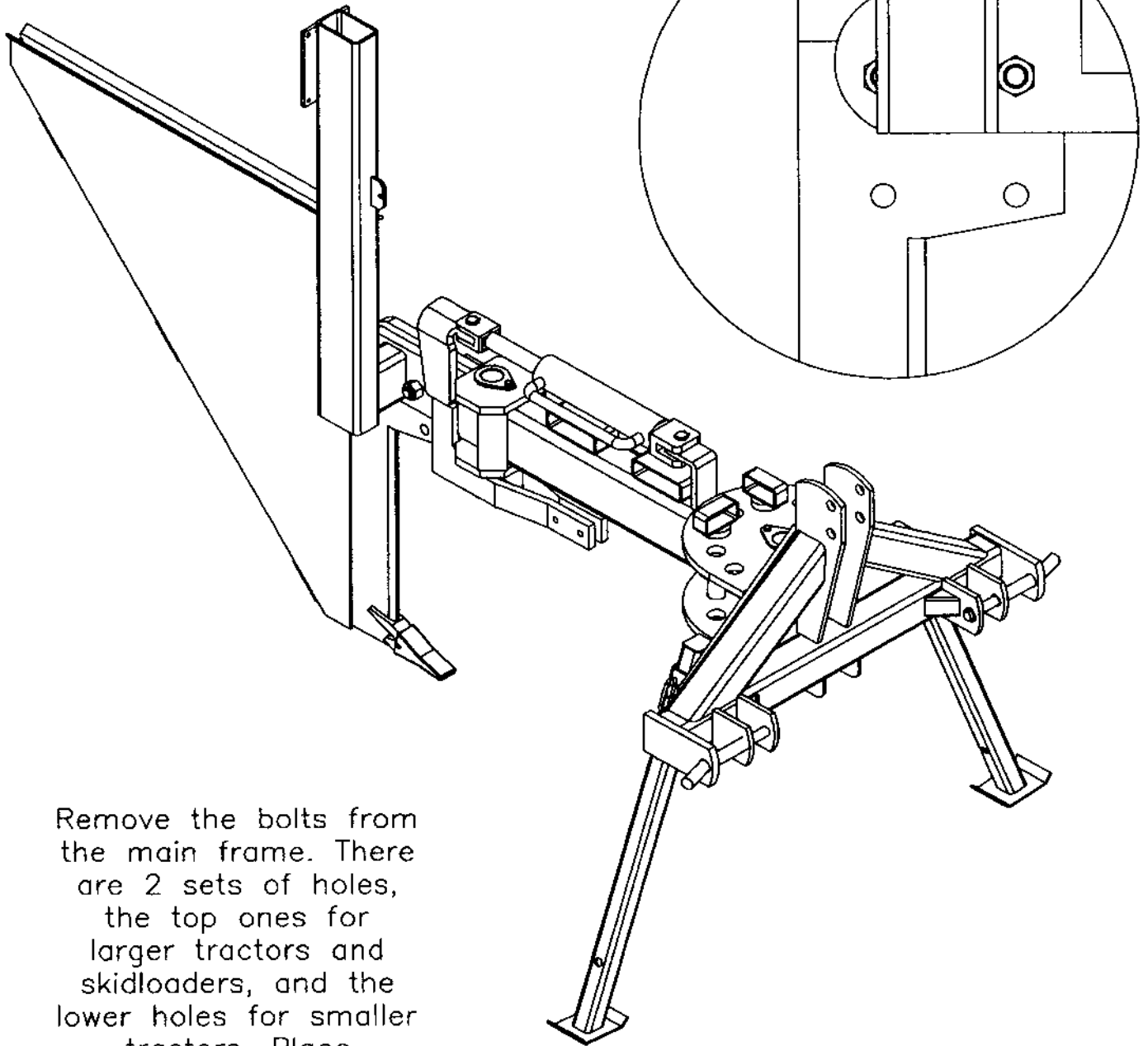
(Tractor/Skidloader not shown
for clarity)



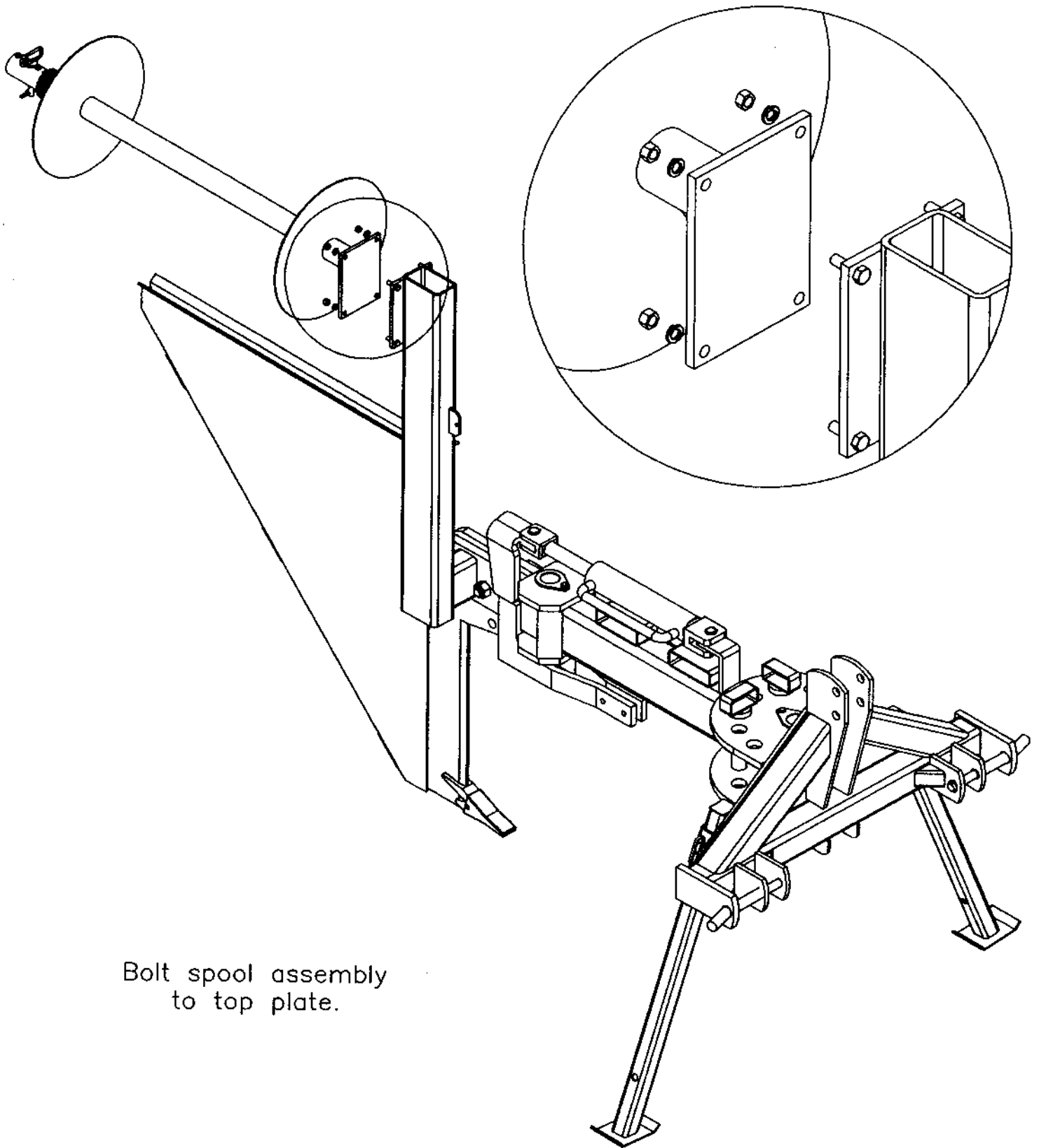
Cylinder lock detail

(Tractor version shown, skidloader version
also available) Hook up plow to tractor
(or skidloader) then rotate beam to
straight out and lock into place.
Drop legs to top pin setting and re-pin.
Pin cylinder lock into position.

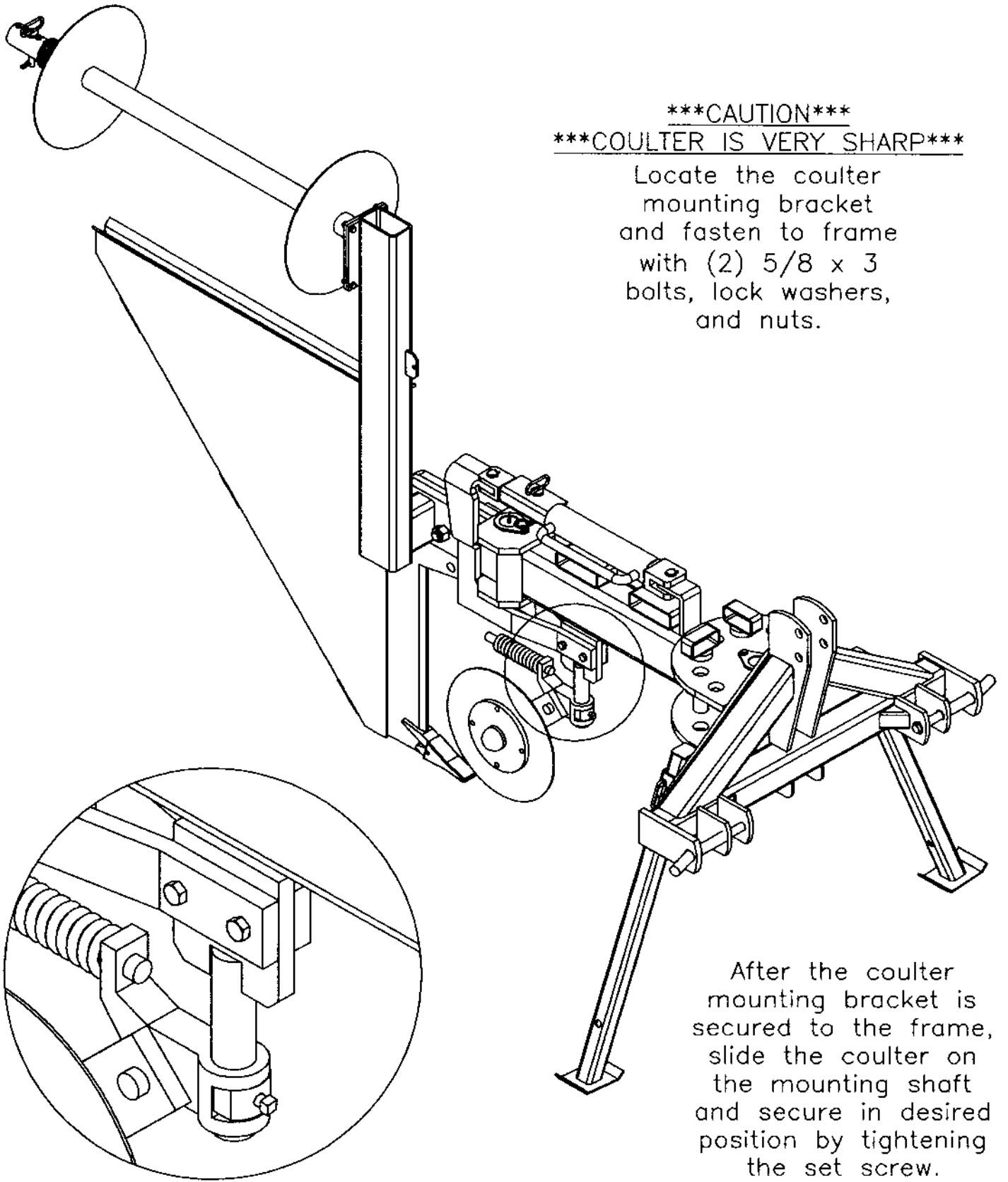
The goal is to have the three point arms straight out and parallel with the frame of the machine when it is in the ground so the tractor can obtain maximum traction. If the three point arms are up and not parallel the tractor can not obtain maximum traction



Remove the bolts from the main frame. There are 2 sets of holes, the top ones for larger tractors and skidloaders, and the lower holes for smaller tractors. Place knife/chute assembly on frame and re-insert bolts into the holes required for your application.



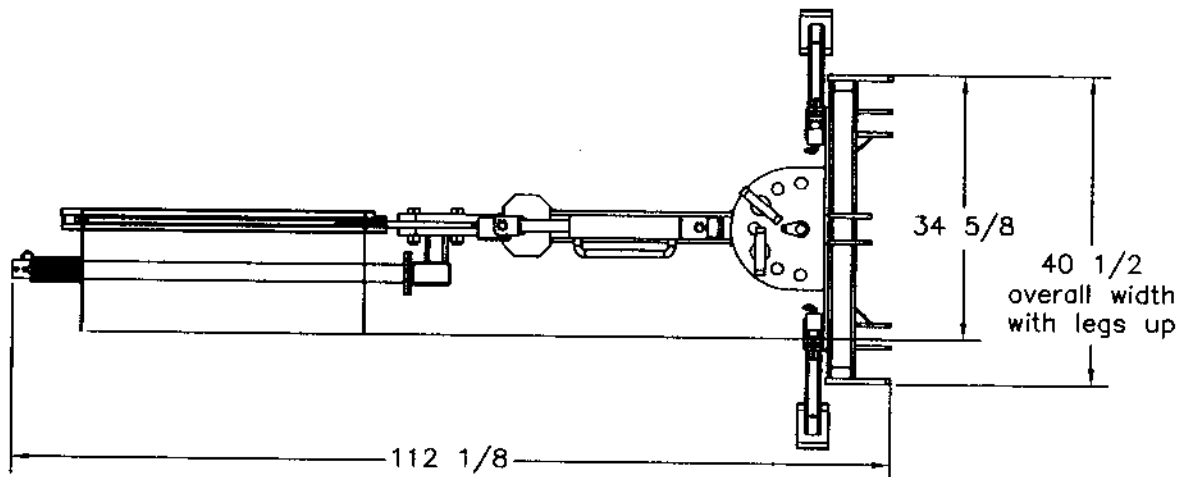
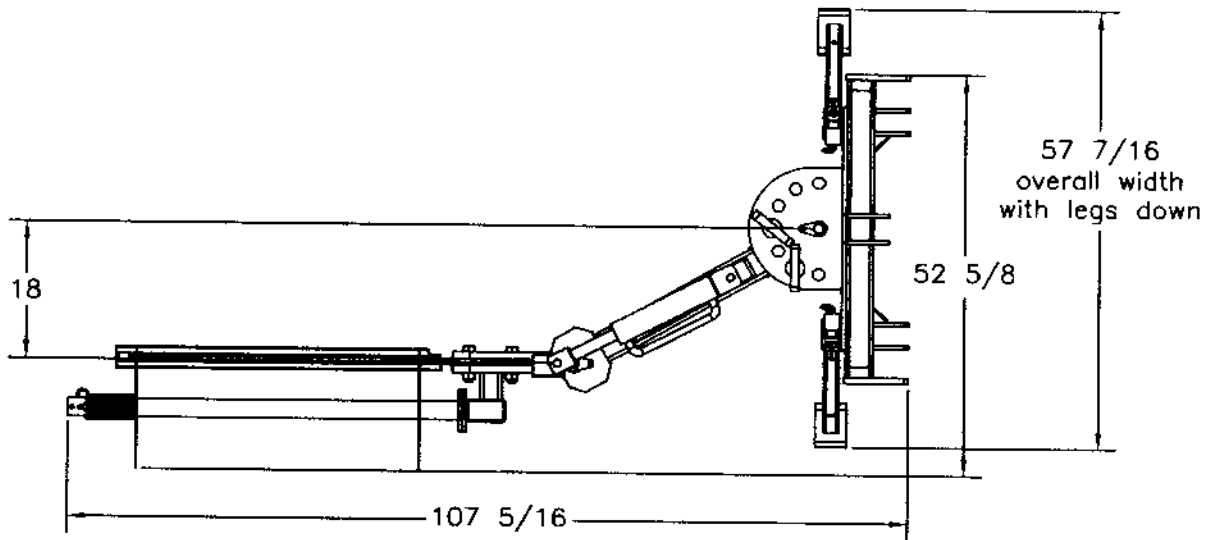
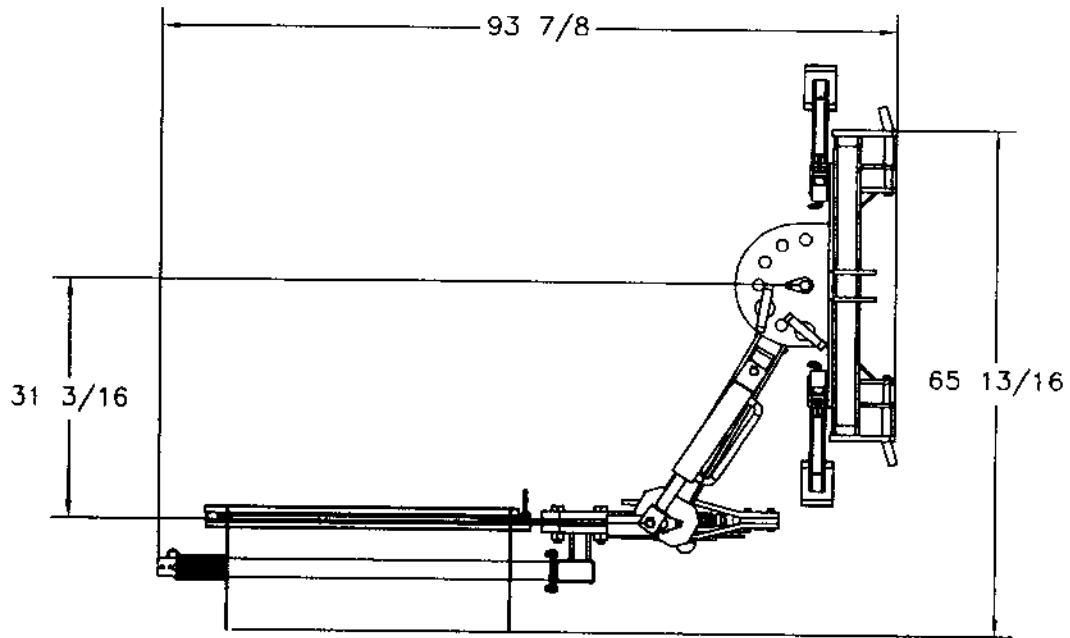
Bolt spool assembly
to top plate.



*****CAUTION*****
*****COULTER IS VERY SHARP*****

Locate the coultter mounting bracket and fasten to frame with (2) 5/8 x 3 bolts, lock washers, and nuts.

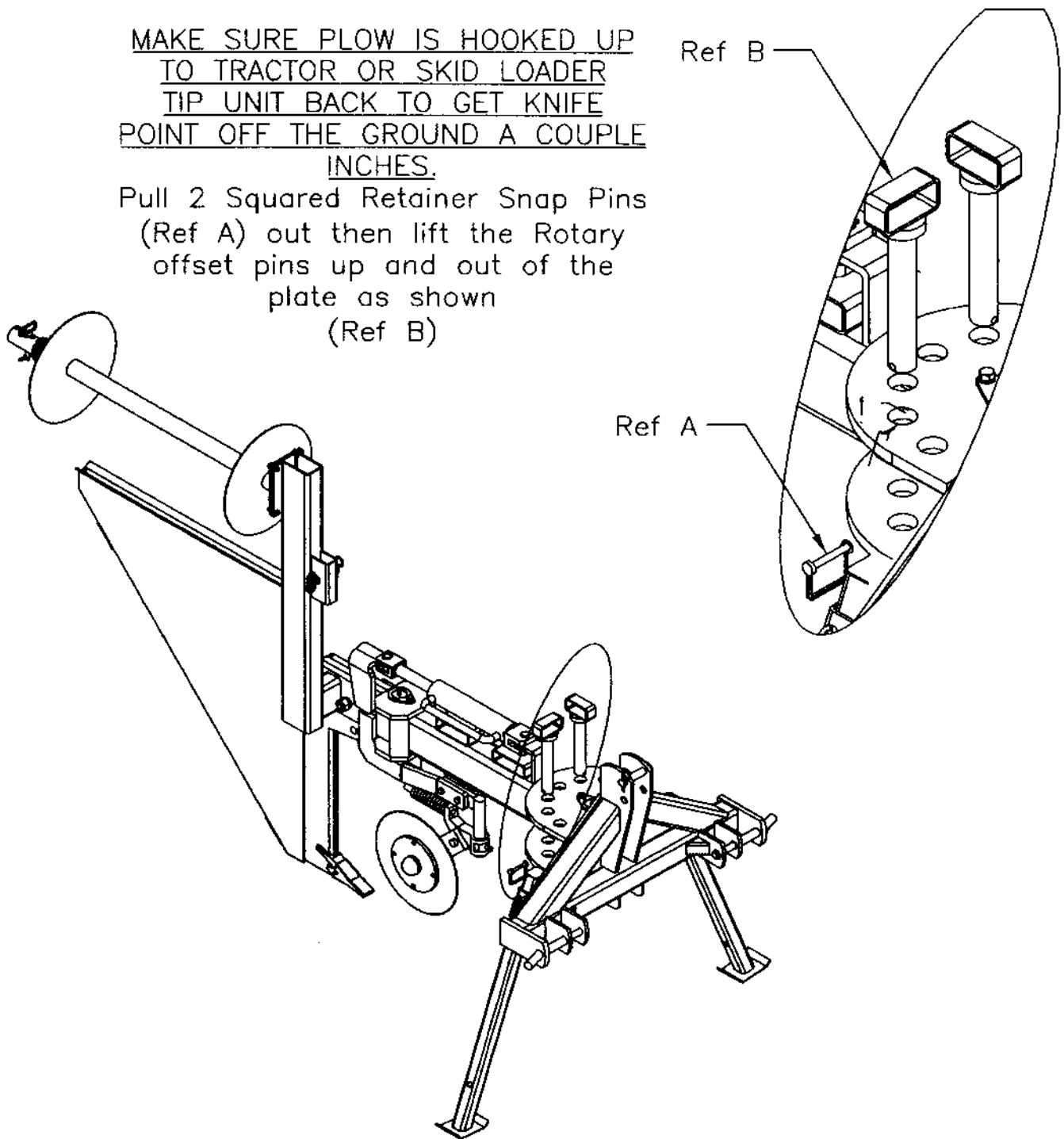
After the coultter mounting bracket is secured to the frame, slide the coultter on the mounting shaft and secure in desired position by tightening the set screw.



INSTRUCTIONS FOR ROTATING PLOW TO 30° OR 60° SETTINGS

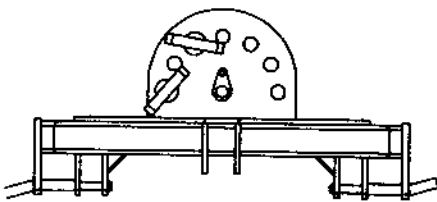
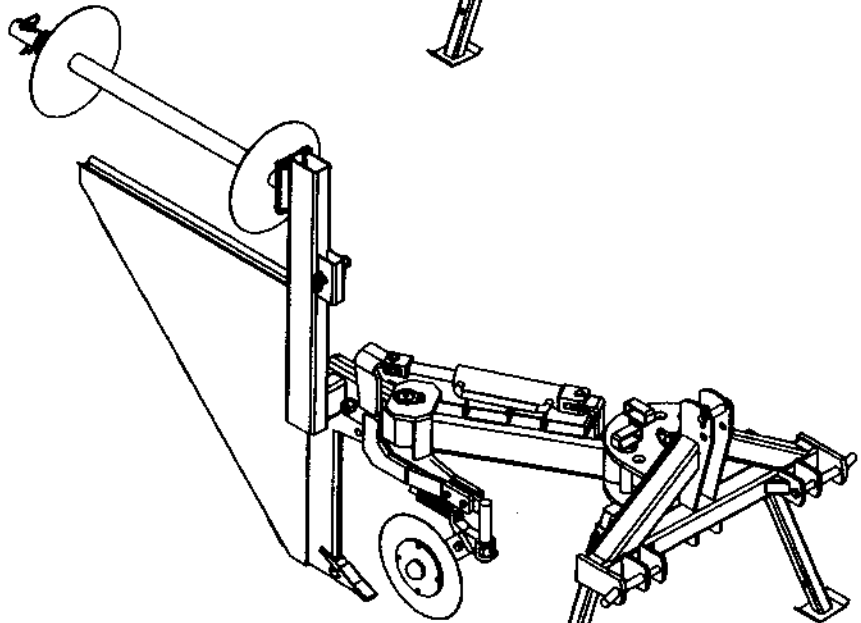
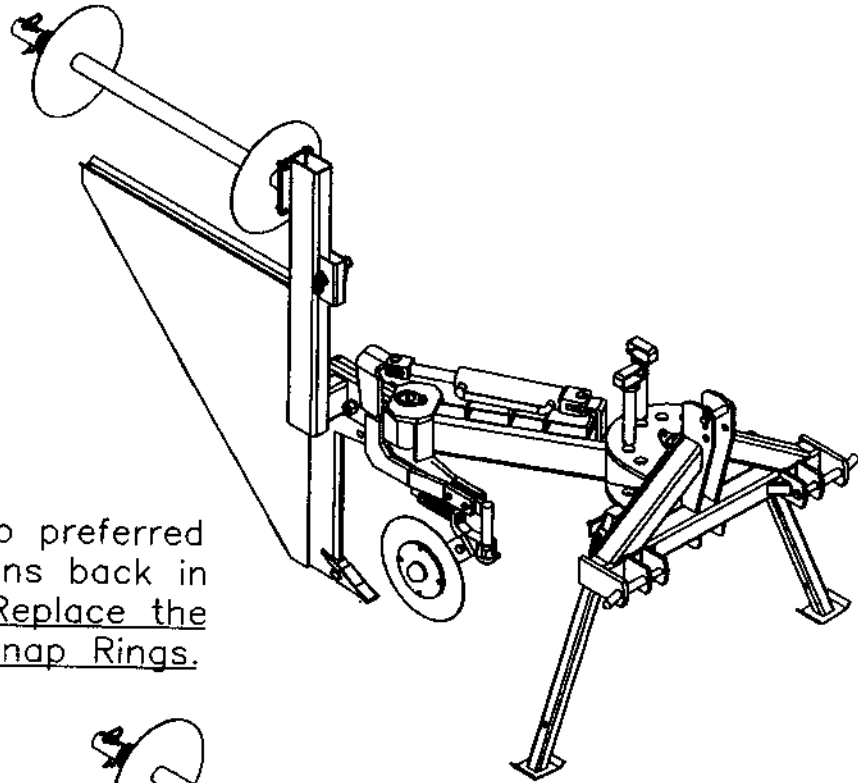
MAKE SURE PLOW IS HOOKED UP
TO TRACTOR OR SKID LOADER
TIP UNIT BACK TO GET KNIFE
POINT OFF THE GROUND A COUPLE
INCHES.

Pull 2 Squared Retainer Snap Pins
(Ref A) out then lift the Rotary
offset pins up and out of the
plate as shown
(Ref B)

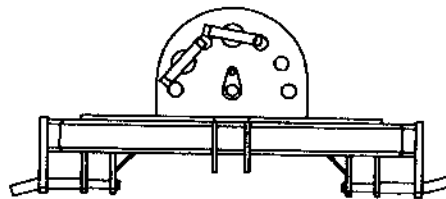


INSTRUCTIONS FOR ROTATING PLOW TO 30° OR 60° SETTINGS

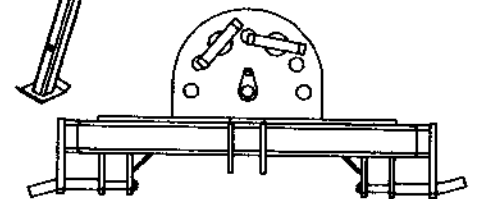
Rotate beam out to preferred setting, then put pins back in appropriate holes. Replace the Squared Retainer Snap Rings.



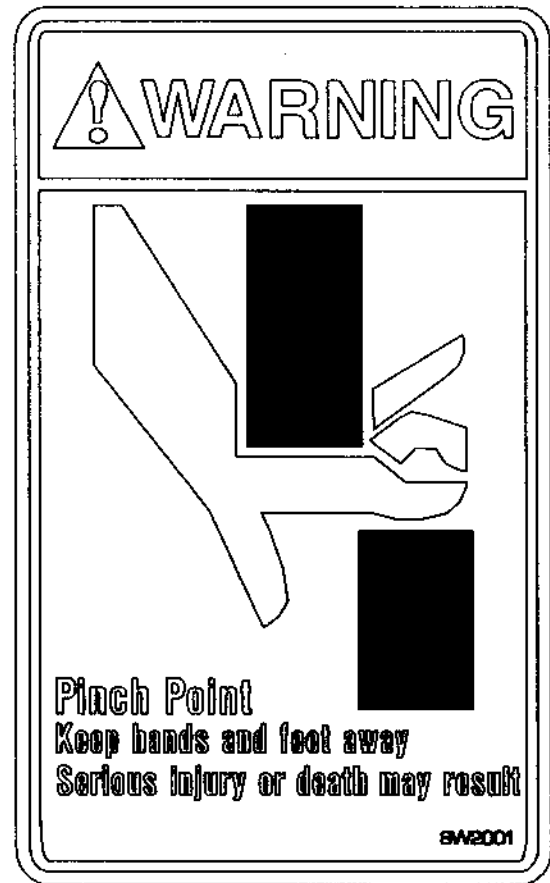
60° SETTING



30° SETTING



STRAIGHT SETTING

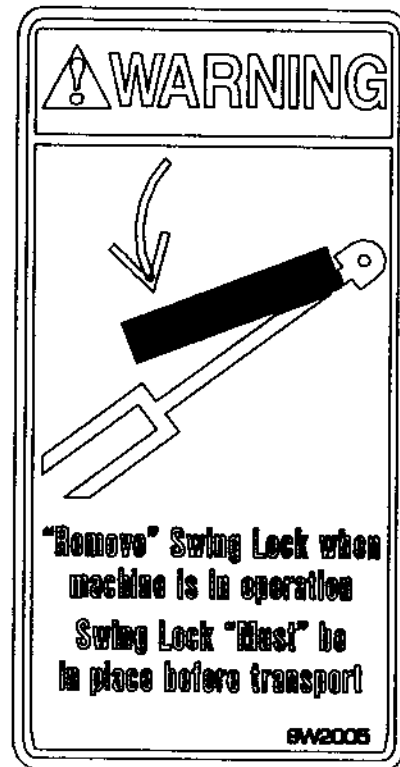
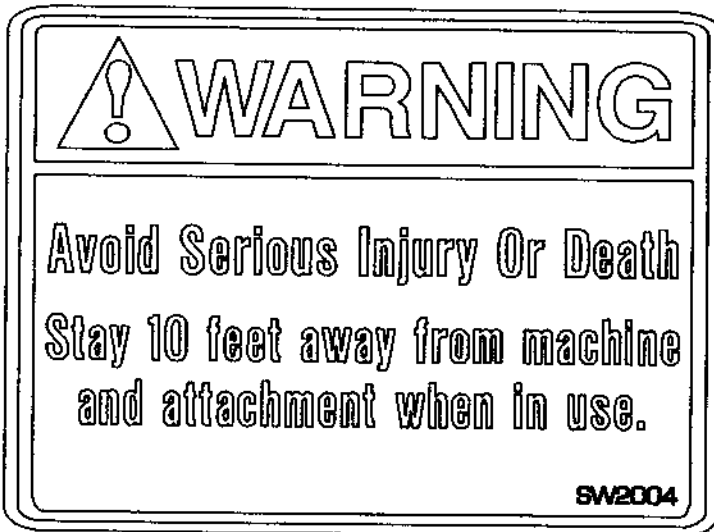
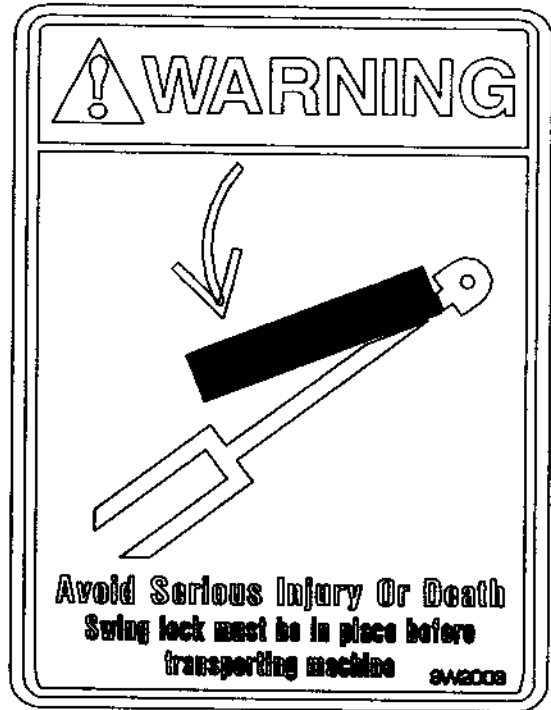
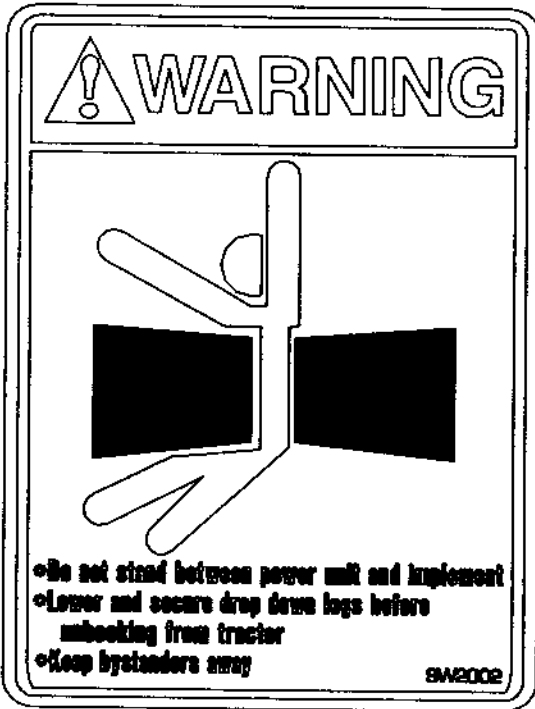


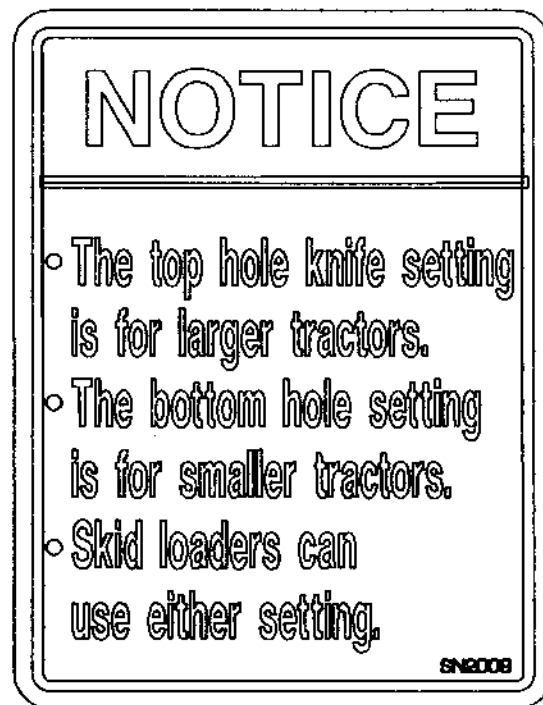
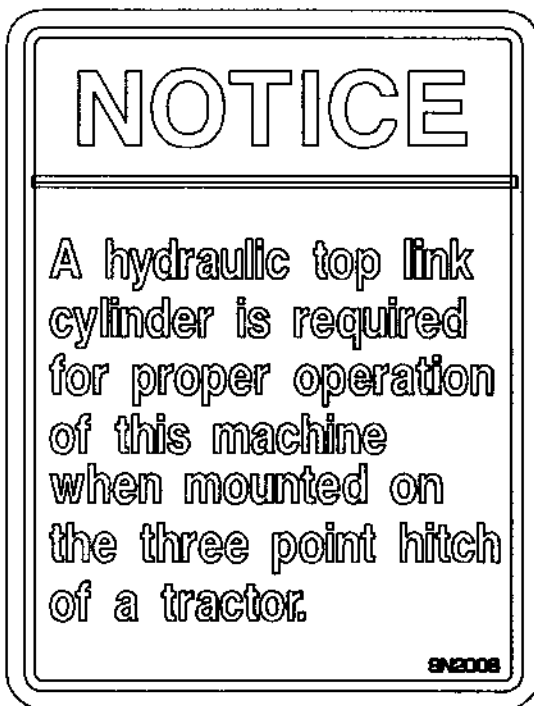
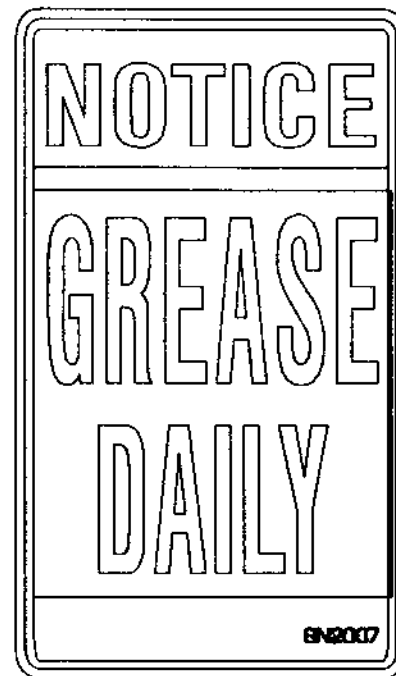
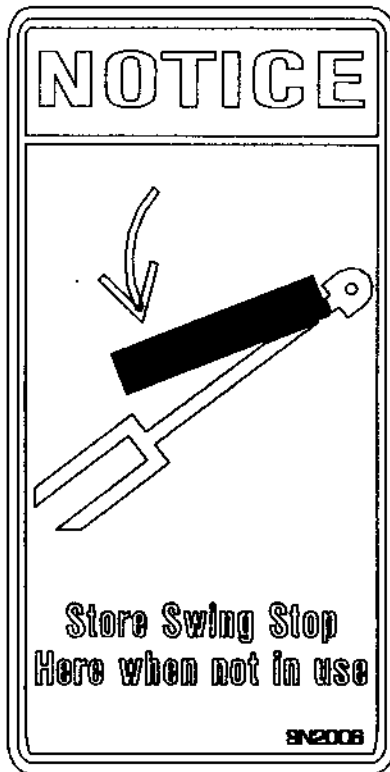
IT IS THE OPERATORS RESPONSIBILITY
TO USE THIS MACHINE IN A SAFE
AND PROPER MANNER.

Review owners manual and see all decals on machine prior to first use. Insure that all operators of this machine have reviewed the safety decals thouroughly. Follow these warnings carefully. Inspect the plow each day, paying special attention to the hydraulic hoses.

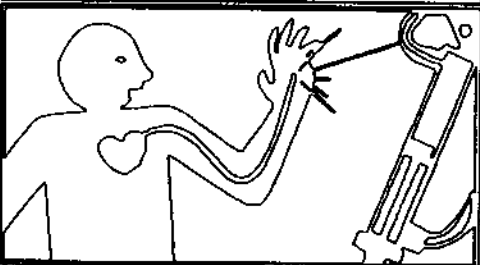
Replace worn or broken parts immediatly.

These decals will be located on your plow. Pay attention to warnings. If your decals fade, tear, or come off, re-order by using the number corresponding to the decal you need.





! WARNING



DO NOT GO NEAR LEAKS

- High pressure oil easily punctures skin causing serious injury, gangrene or death.
- If injured, seek emergency medical help. Immediate surgery is required to remove oil.
- Do not use finger or skin to check for leaks.
- Lower load or relieve hydraulic pressure before loosening fittings.

8W2010

! WARNING

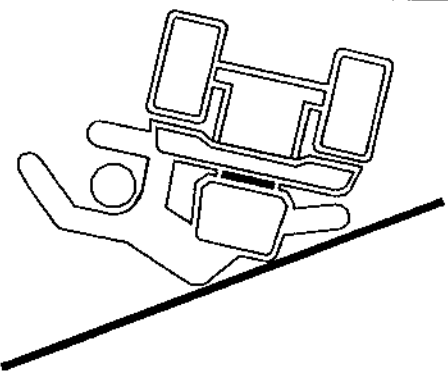


Failure to follow these instructions could result in serious injury or death.

- It is the operators responsibility to read and understand the Operators Manual and observe all safety labels before operating this machine.
- ALWAYS LOCATE BURIED UNDERGROUND UTILITY LINES BEFORE OPERATING THIS MACHINE.
- Keep a safe distance from machine when operating and when raising or lowering machine.
- Attach only to a tractor with sufficient drawbar and braking capacity.
- Lower and secure drop down legs before working on or under this machine.

8W2011

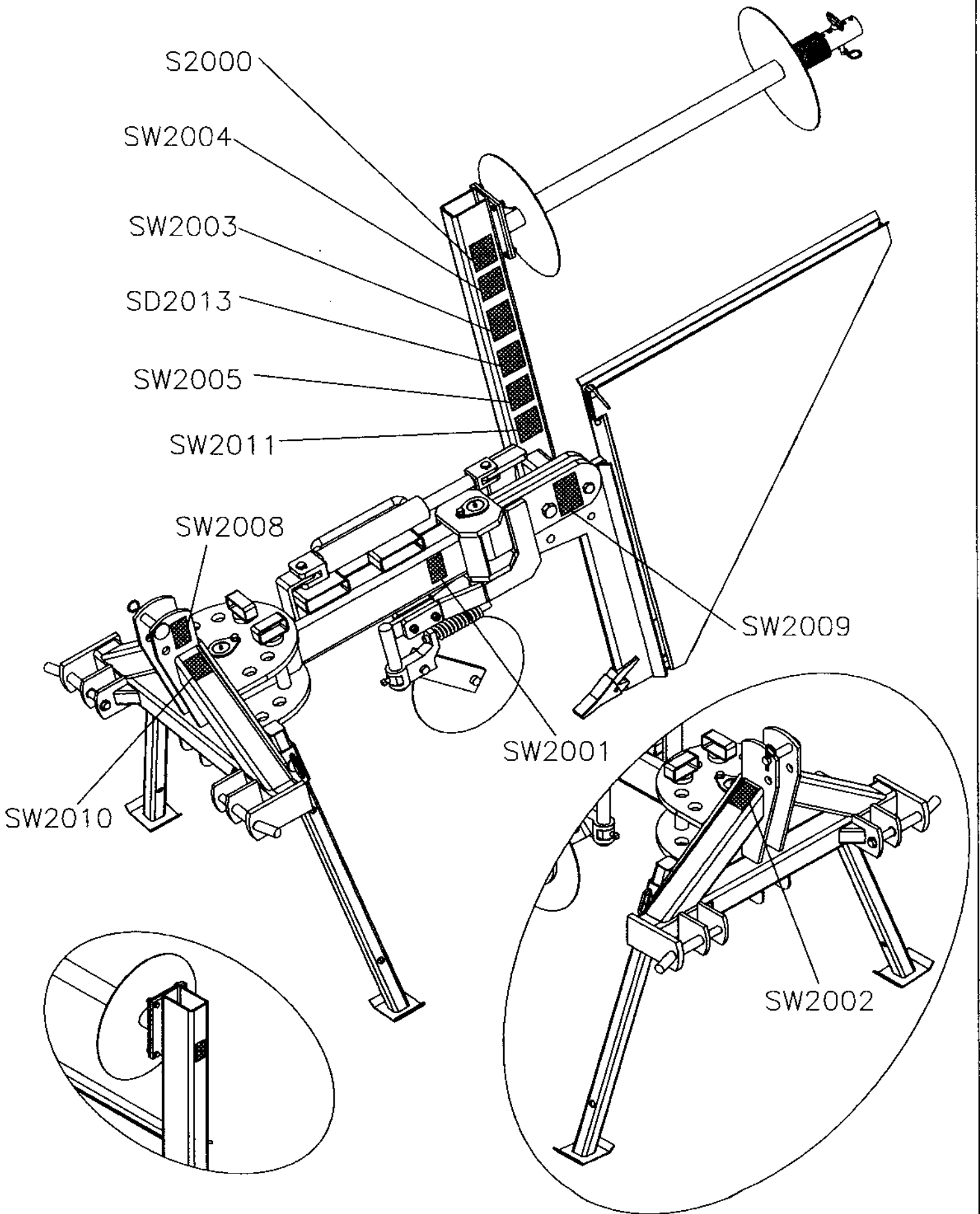
! DANGER



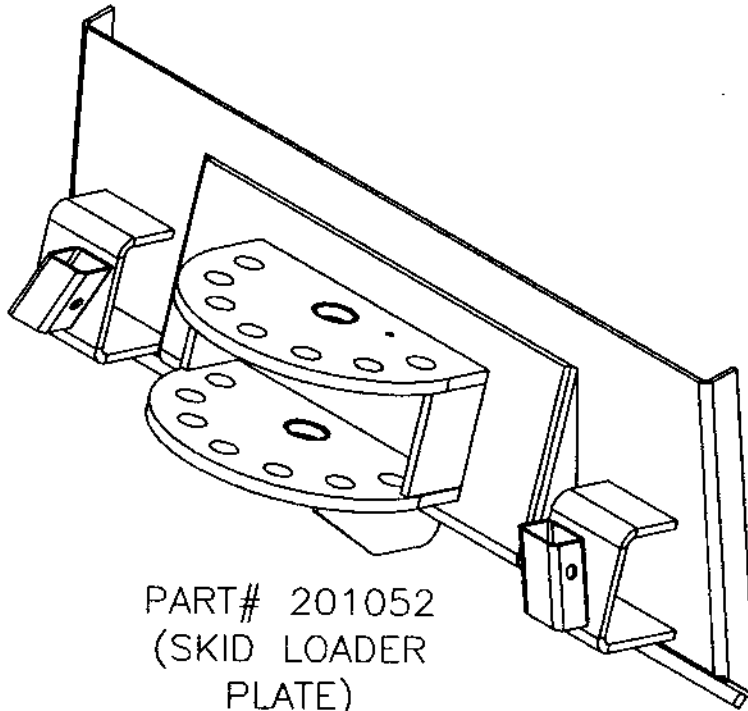
Avoid Serious Injury or Death

- Operate with extreme caution on slopes to avoid roll-over
- Slopes and rough terrain can cause the machine to jolt or swing sideways when it is out of the ground

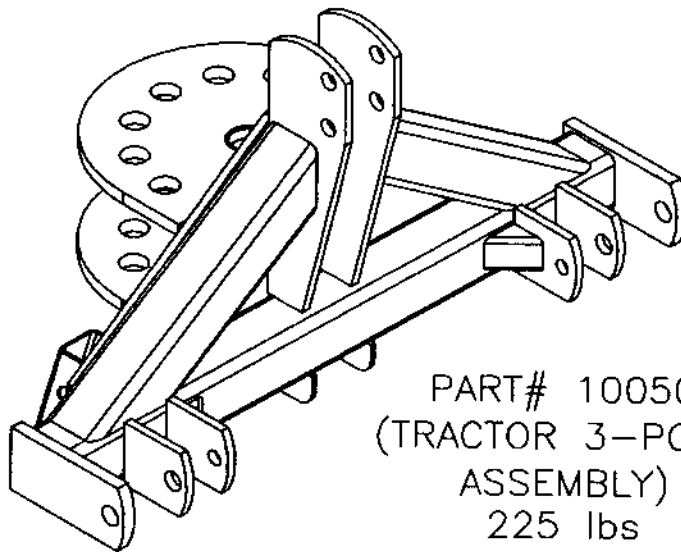
8C2013



INTERCHANGABLE FRONT ASSEMBLYS FOR ROTARY OFFSET MODEL

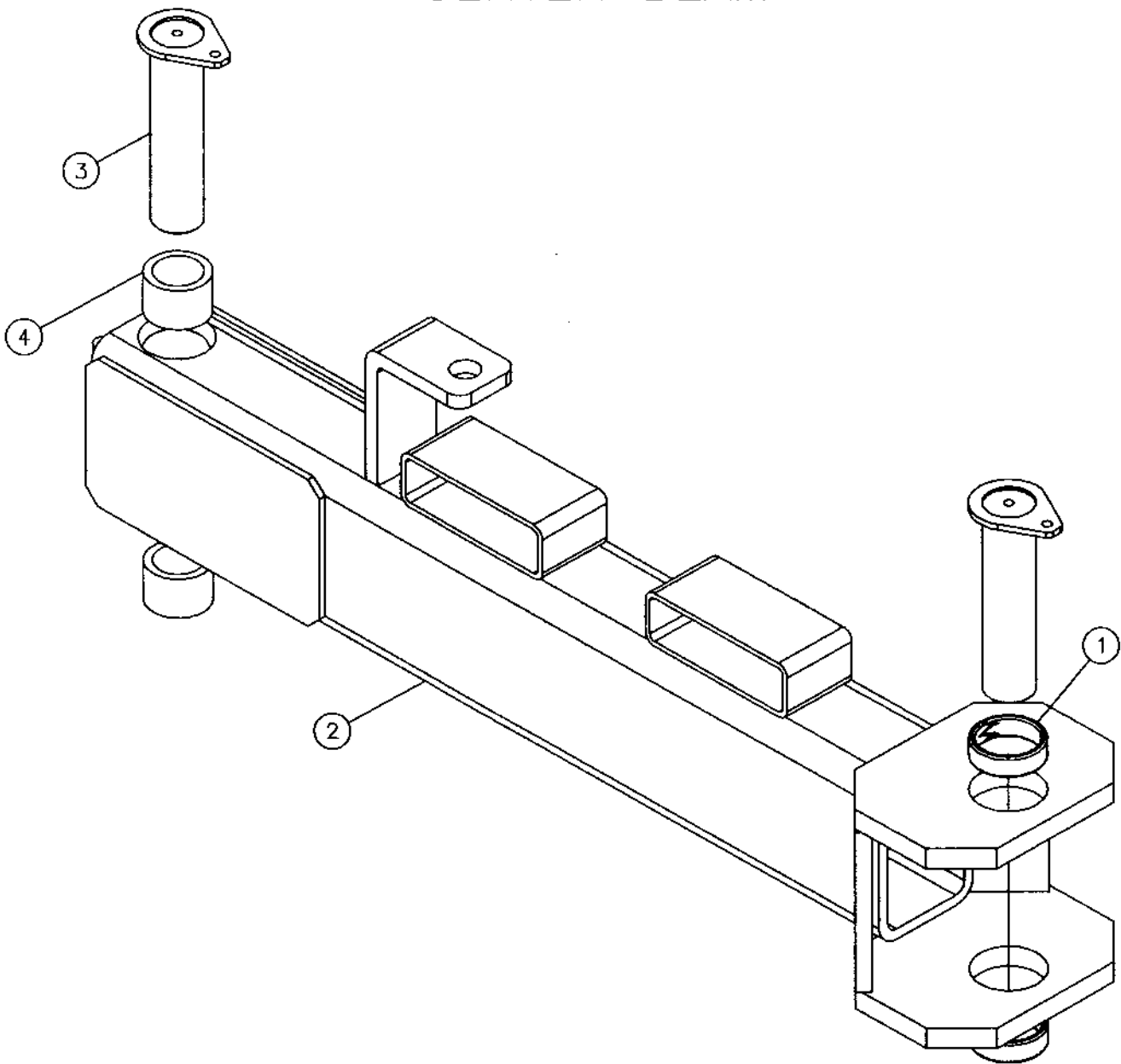


PART# 201052
(SKID LOADER
PLATE)
280 lbs



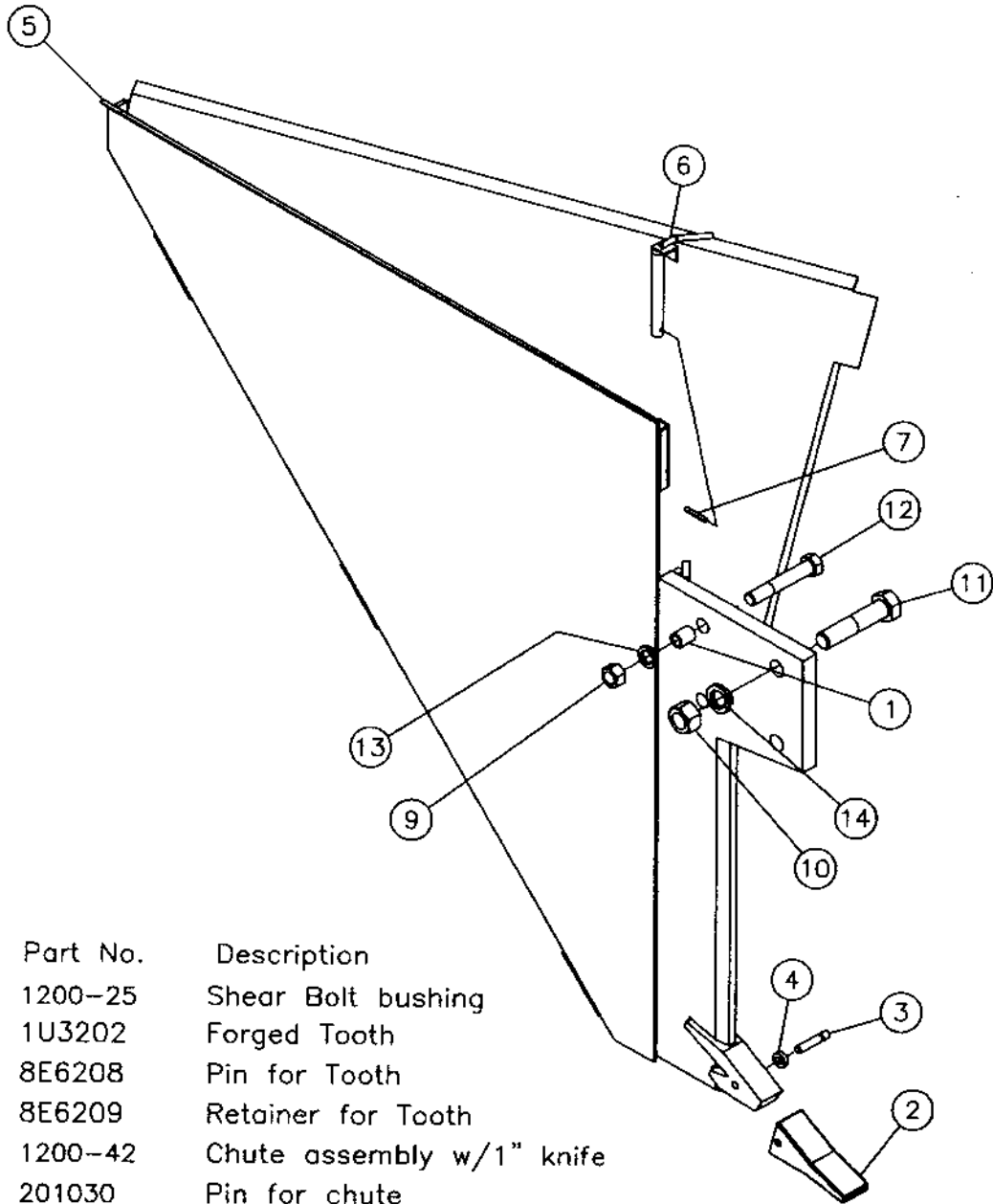
PART# 10050
(TRACTOR 3-POINT
ASSEMBLY)
225 lbs

CENTER BEAM



Key	Qty	Part No.	Description
1	4	1200-49	Split Bushing
2	1	10051	Center Beam
3	2	10092	2" Pin Pivot Point
4	2	1200-54	Short 2" ID Bushing

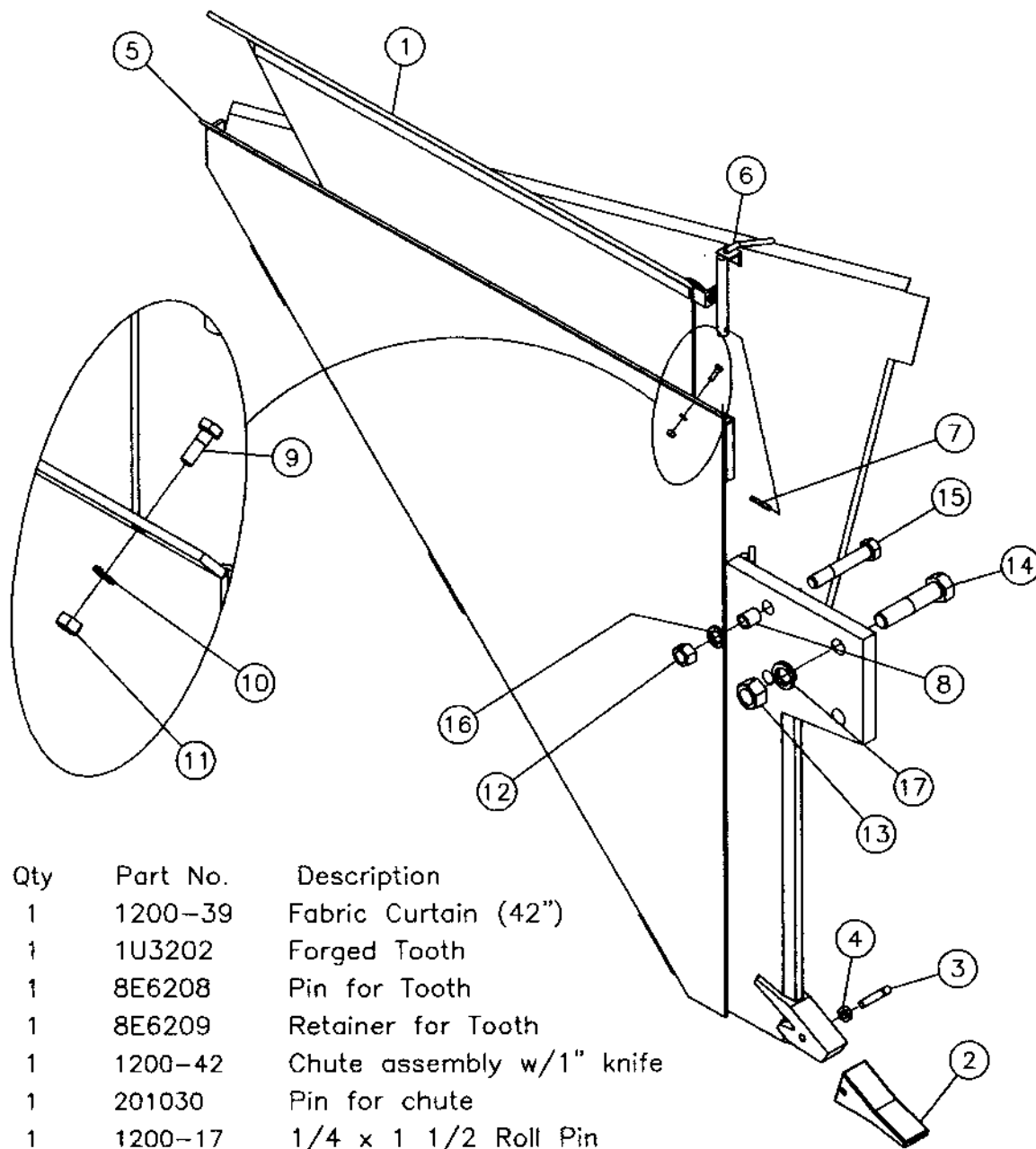
36" CHUTE W/1" KNIFE



Key	Qty	Part No.	Description
1	2	1200-25	Shear Bolt bushing
2	1	1U3202	Forged Tooth
3	1	8E6208	Pin for Tooth
4	1	8E6209	Retainer for Tooth
5	1	1200-42	Chute assembly w/1" knife
6	1	201030	Pin for chute
7	1	1200-17	1/4 x 1 1/2 Roll Pin
8	2	1200-25	Shear Bolt bushing
9	1	1200-01	5/8" Nut
10	1	1200-03	1" nut
11	1	1200-05	1 X 4 1/2 Bolt
12	1	1200-06	5/8 X 4 1/2 bolt (GRADE 8)
13	1	1200-58	5/8" Lock Washer
14	1	1200-57	1" Lock Washer

Items 2-4 are
Caterpillar part #s

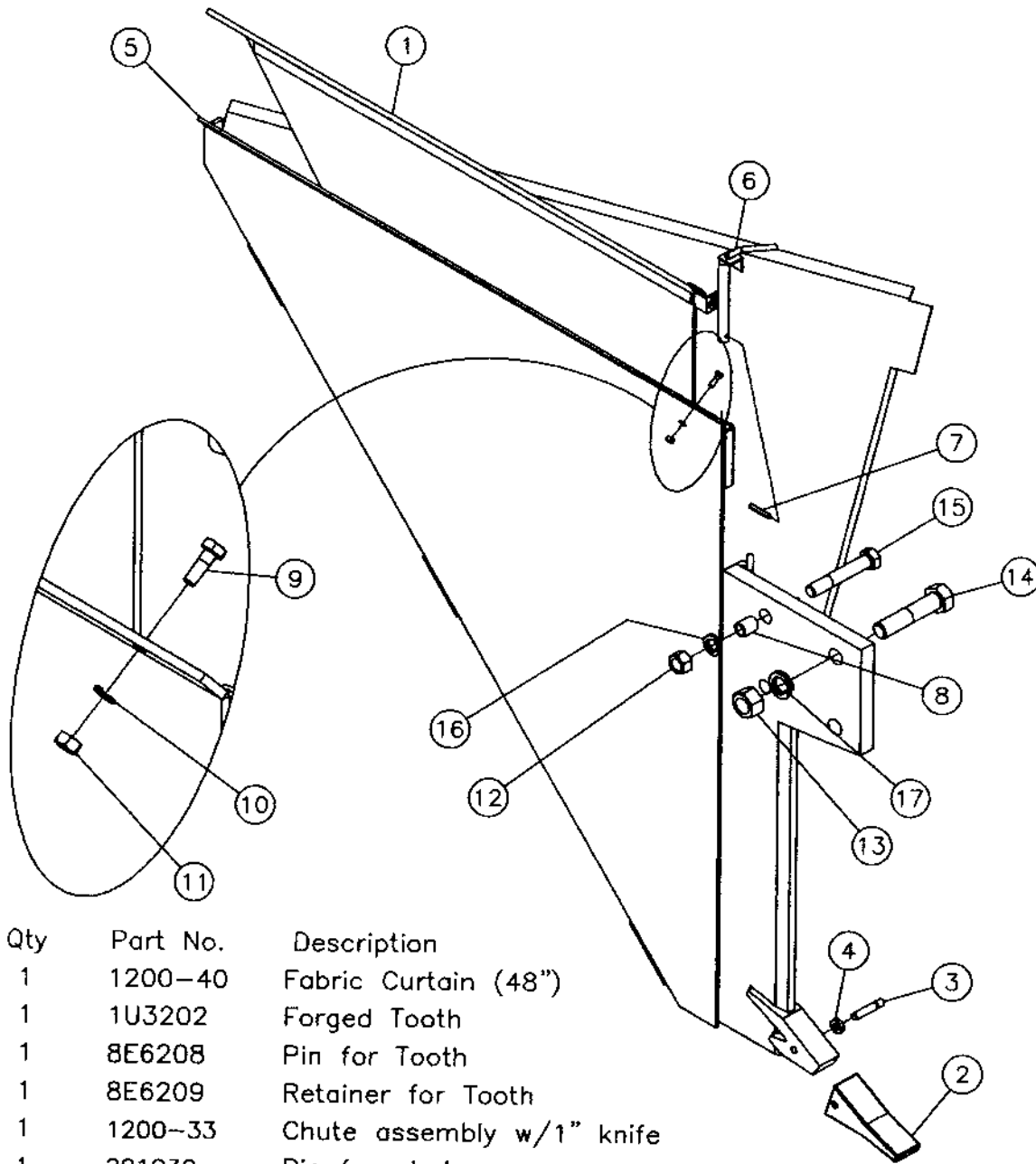
42" CHUTE W/1" KNIFE



Key	Qty	Part No.	Description
1	1	1200-39	Fabric Curtain (42")
2	1	1U3202	Forged Tooth
3	1	8E6208	Pin for Tooth
4	1	8E6209	Retainer for Tooth
5	1	1200-42	Chute assembly w/1" knife
6	1	201030	Pin for chute
7	1	1200-17	1/4 x 1 1/2 Roll Pin
8	2	1200-25	Shear Bolt bushing
9	1	1200-13	1/4 x 3/4 Bolt
10	1	1200-16	1/4 Lock Washer
11	1	1200-21	1/4 Nut
12	1	1200-01	5/8" Nut
13	1	1200-03	1" nut
14	1	1200-05	1 X 4 1/2 Bolt
15	1	1200-06	5/8 X 4 1/2 bolt (GRADE 8)
16	1	1200-58	5/8" Lock Washer
17	1	1200-57	1" Lock Washer

Items 2-4 are
Caterpillar part #s

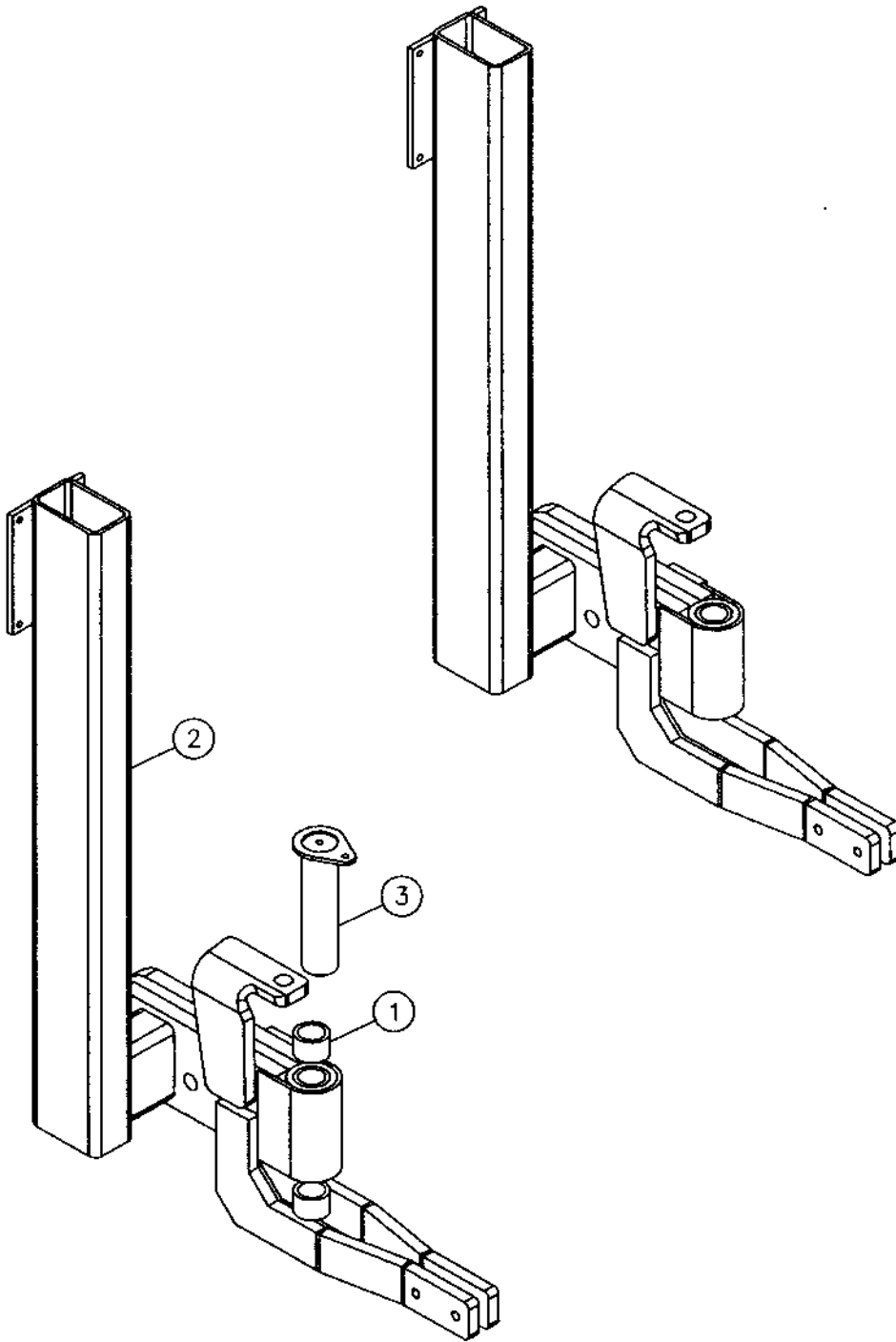
48" CHUTE W/1" KNIFE



Key	Qty	Part No.	Description
1	1	1200-40	Fabric Curtain (48")
2	1	1U3202	Forged Tooth
3	1	8E6208	Pin for Tooth
4	1	8E6209	Retainer for Tooth
5	1	1200-33	Chute assembly w/1" knife
6	1	201030	Pin for chute
7	1	1200-17	1/4 x 1 1/2 Roll Pin
8	2	1200-25	Shear Bolt bushing
9	1	1200-13	1/4 x 3/4 Bolt
10	1	1200-16	1/4 Lock Washer
11	1	1200-21	1/4 Nut
12	1	1200-01	5/8" Nut
13	1	1200-03	1" nut
14	1	1200-05	1 X 4 1/2 Bolt
15	1	1200-06	5/8 X 4 1/2 bolt (GRADE 8)
16	1	1200-58	5/8" Lock Washer
17	1	1200-57	1" Lock Washer

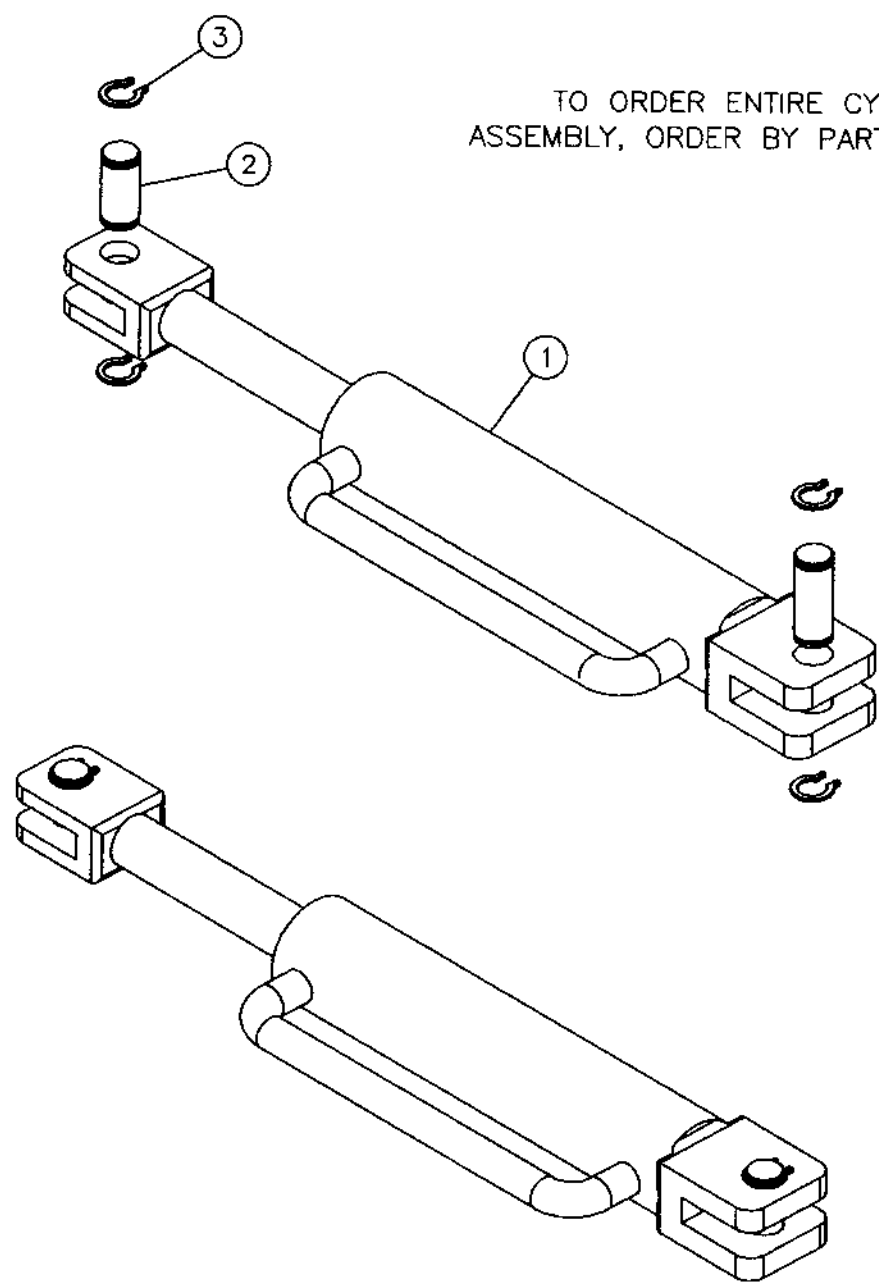
Items 2-4 are
Caterpillar part #s

REAR PIVOT ASSEMBLY



Key	Qty	Part No.	Description
1	2	1200-54	Short 2" ID Bushing
2	1	1200-53	Rear Pivot Assembly
3	2	10092	2" Pin Pivot Point

SWING DAMPENING CYLINDER DETAIL

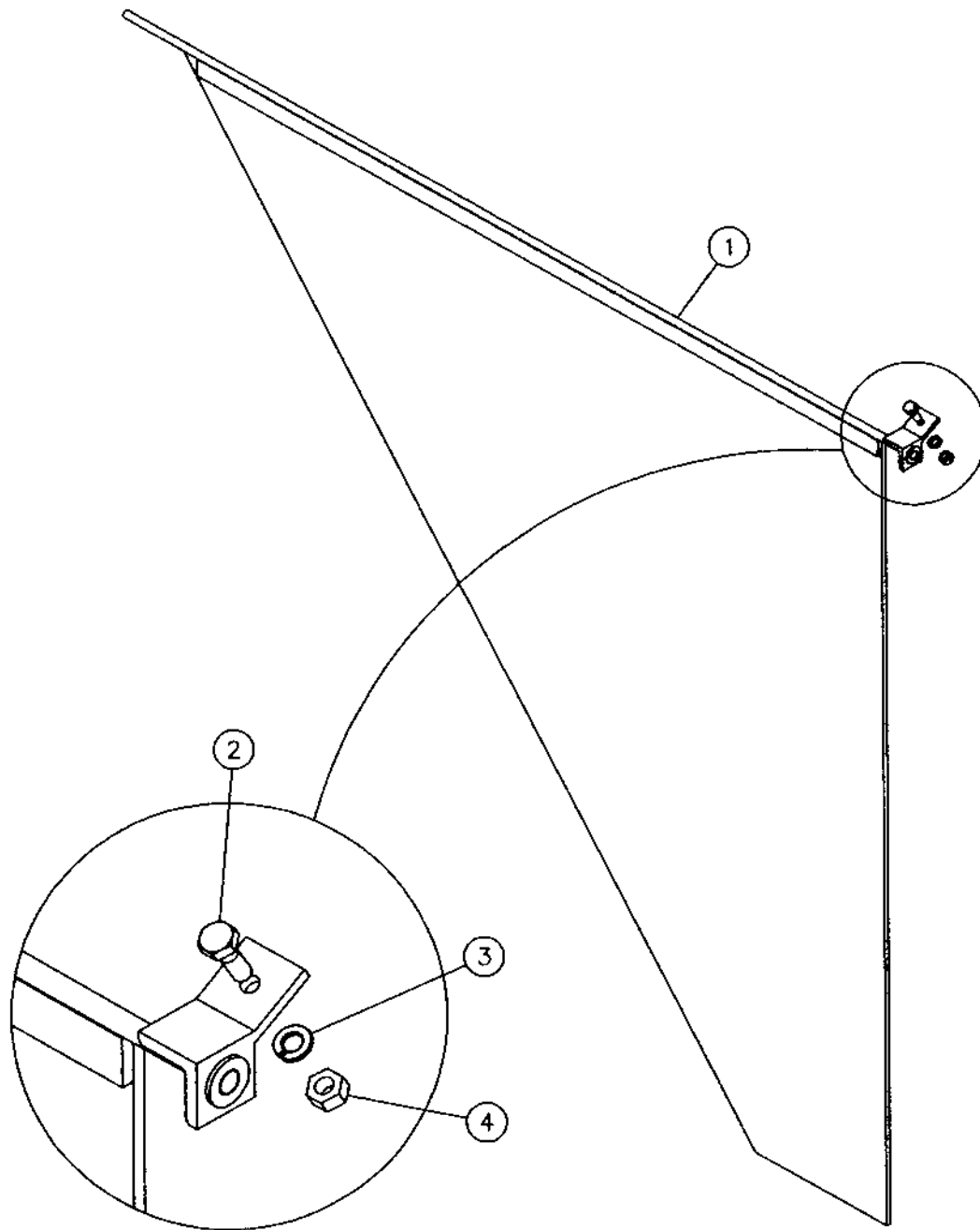


TO ORDER ENTIRE CYLINDER
ASSEMBLY, ORDER BY PART# 1200-22

Key	Qty	Part No.	Description
1	1	1200-45	Swing Dampening Cylinder/ Std. Offset Model
2	2	1200-43	Cylinder Pin
3	4	1200-44	Snap Ring

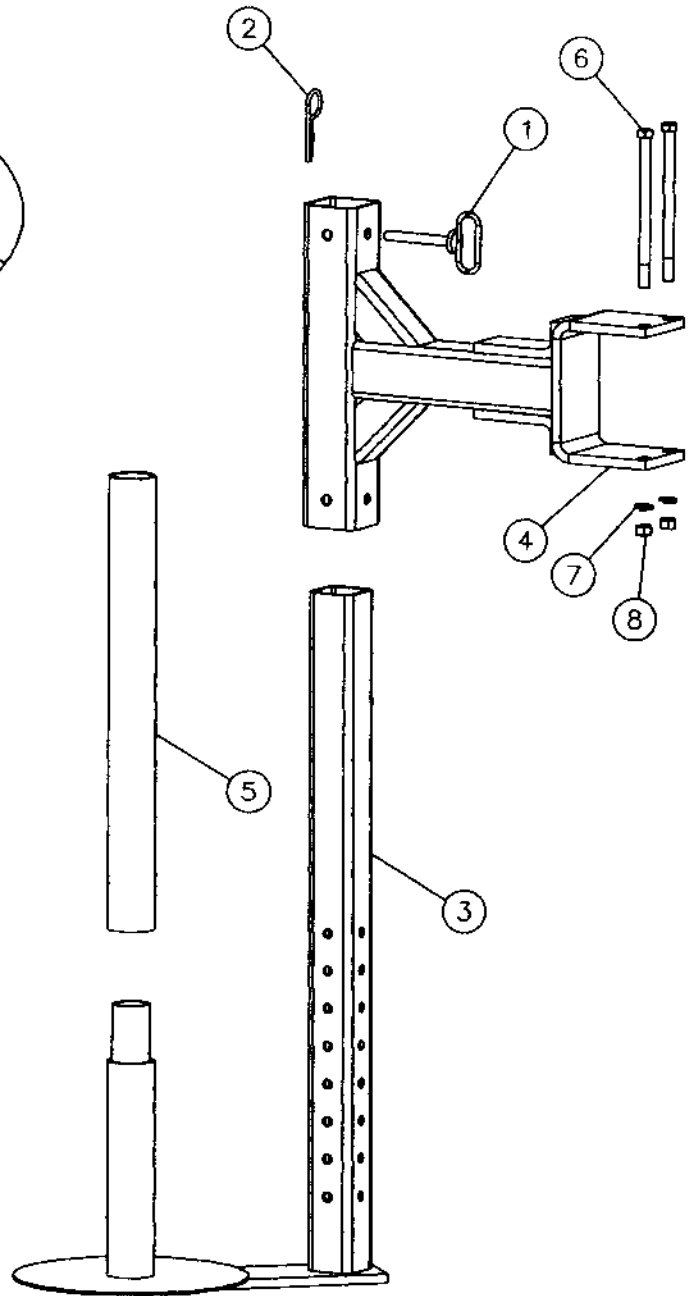
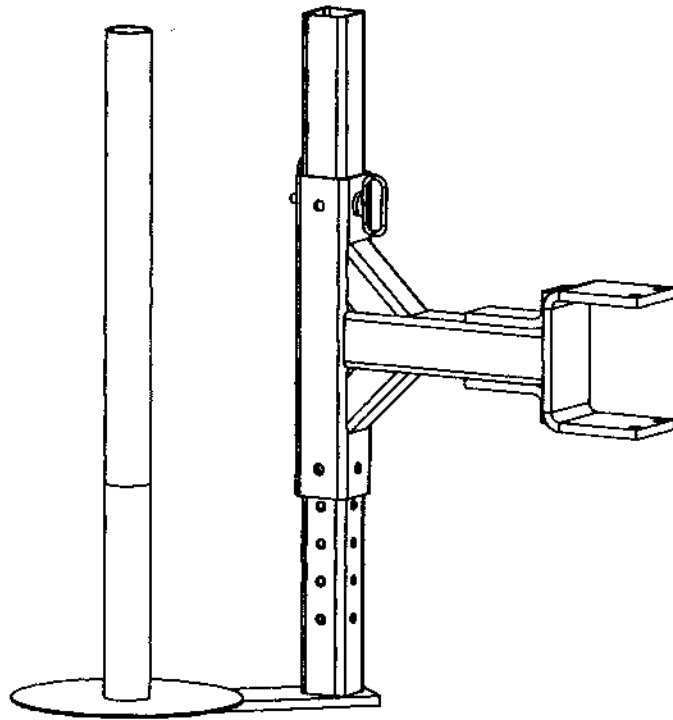
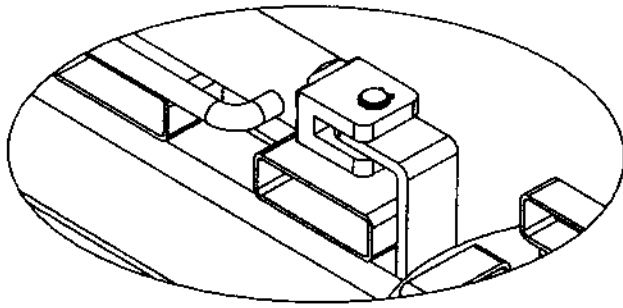
OPTIONAL FABRIC CURTAIN

STANDARD ON 42 AND 48 MODELS



Key	Qty	Part No.	Description
1	1	1200-38	Fabric Curtain (36")
9	1	1200-13	1/4 x 3/4 Bolt
10	1	1200-16	1/4 Lock Washer
11	1	1200-21	1/4 Nut

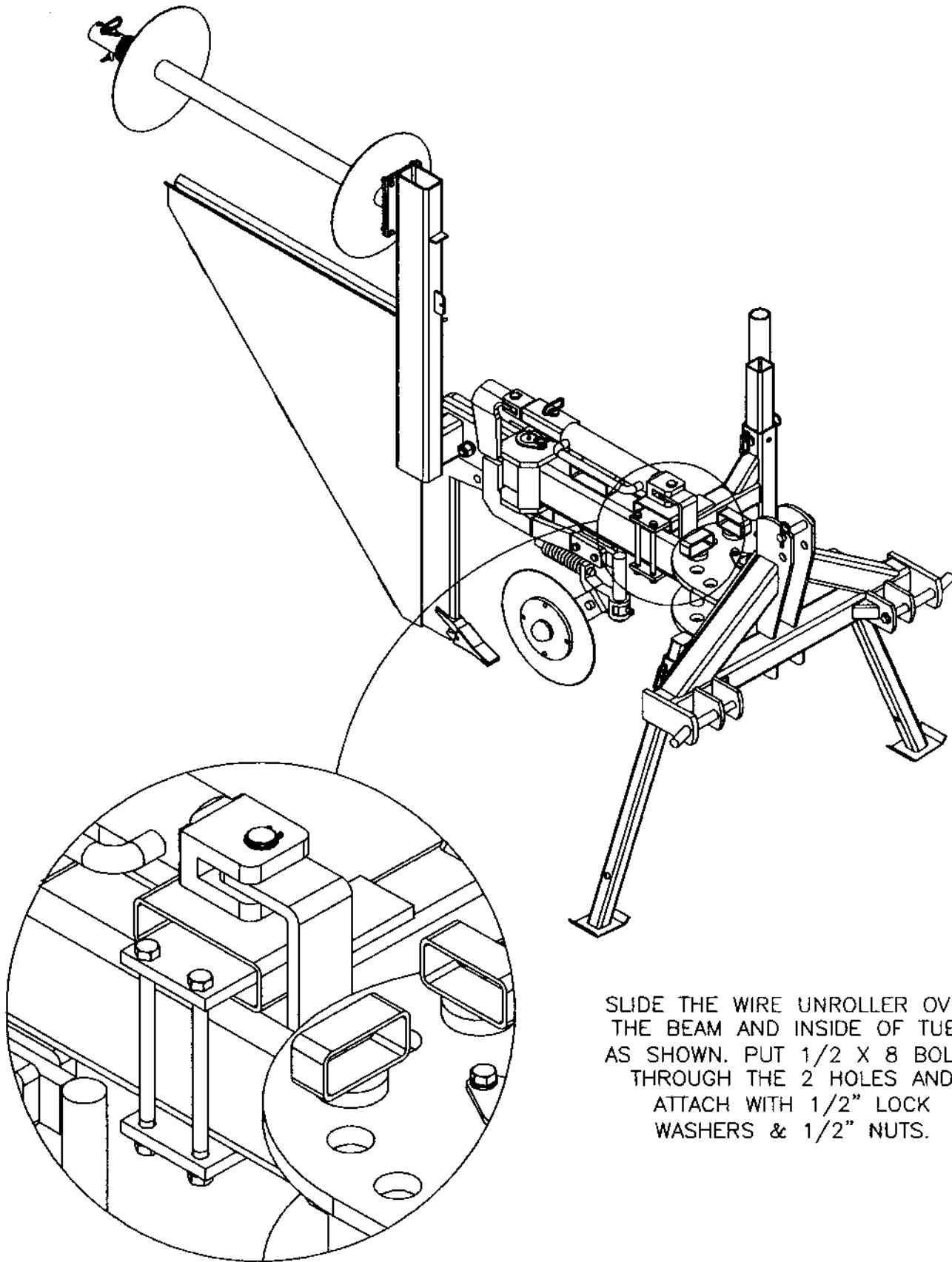
OPTIONAL WIRE UNROLLER



TO ORDER ENTIRE WIRE UNROLLER
ASSEMBLY, ORDER BY PART# **RWU-1056**

Key	Qty	Part No.	Description
1	1	1200-32	7/16" X 4" Hitch Pin
2	1	1200-15	3/16" Hair Pin
3	1	10097	Fabric Curtain (48")
4	1	201109	Fabric Curtain (42")
5	1	1200-02	Top Pipe Wire Unroller
6	2	1200-10	1/2" x 8" Bolt
7	2	1200-19	1/2" Lock Washer
8	2	1200-04	1/2" Nut

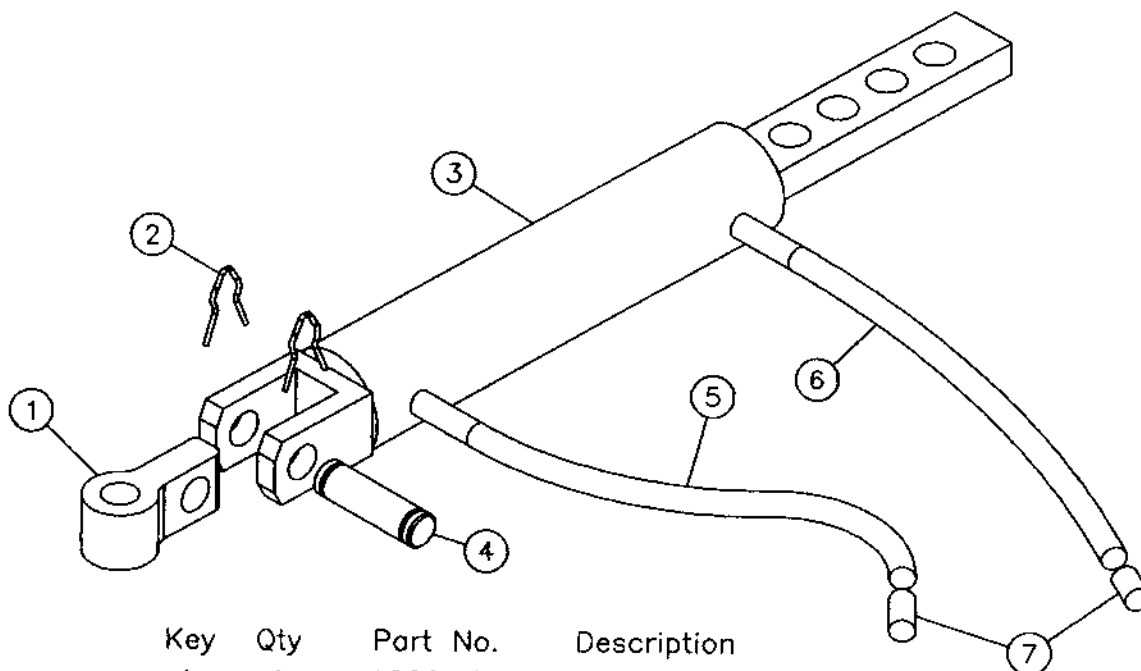
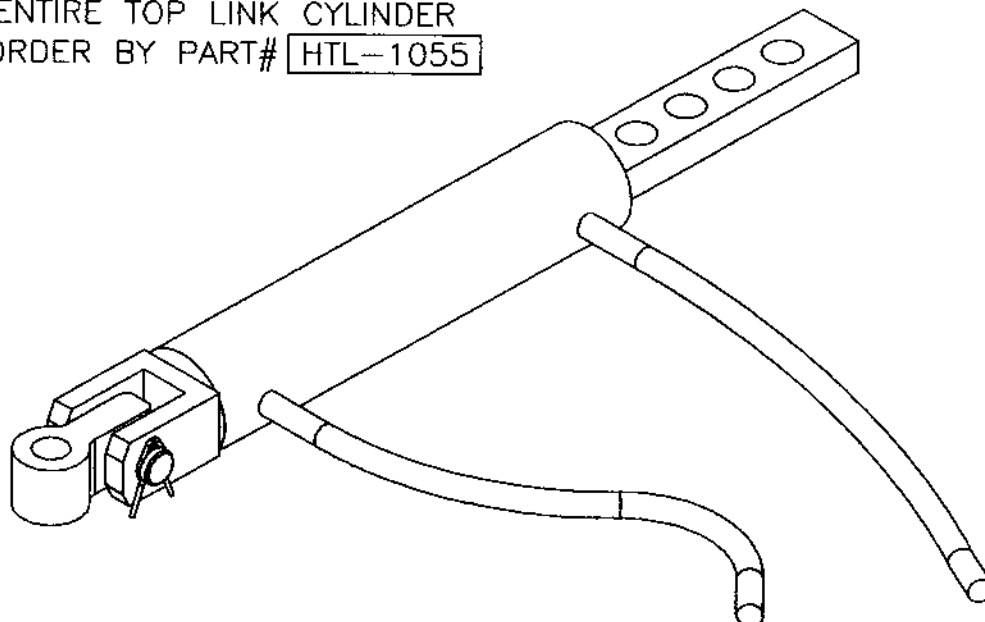
INSTRUCTIONS FOR INSTALLING OPTIONAL WIRE UNROLLER



SLIDE THE WIRE UNROLLER OVER
THE BEAM AND INSIDE OF TUBE
AS SHOWN. PUT 1/2 X 8 BOLTS
THROUGH THE 2 HOLES AND
ATTACH WITH 1/2" LOCK
WASHERS & 1/2" NUTS.

OPTIONAL TOP LINK CYLINDER

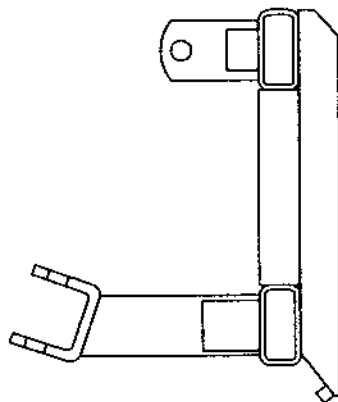
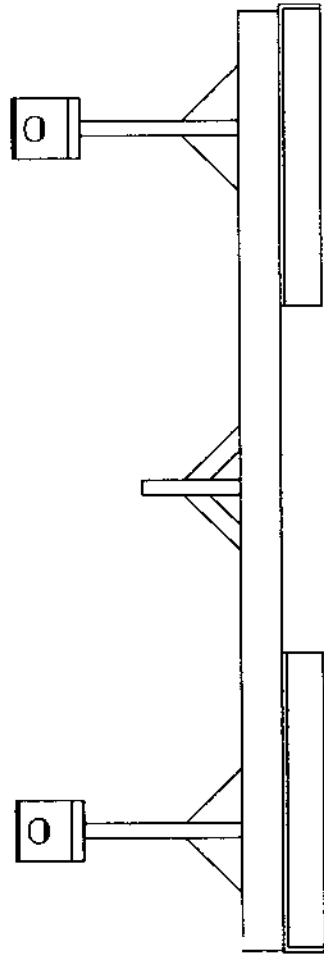
TO ORDER ENTIRE TOP LINK CYLINDER
ASSEMBLY, ORDER BY PART# **HTL-1055**



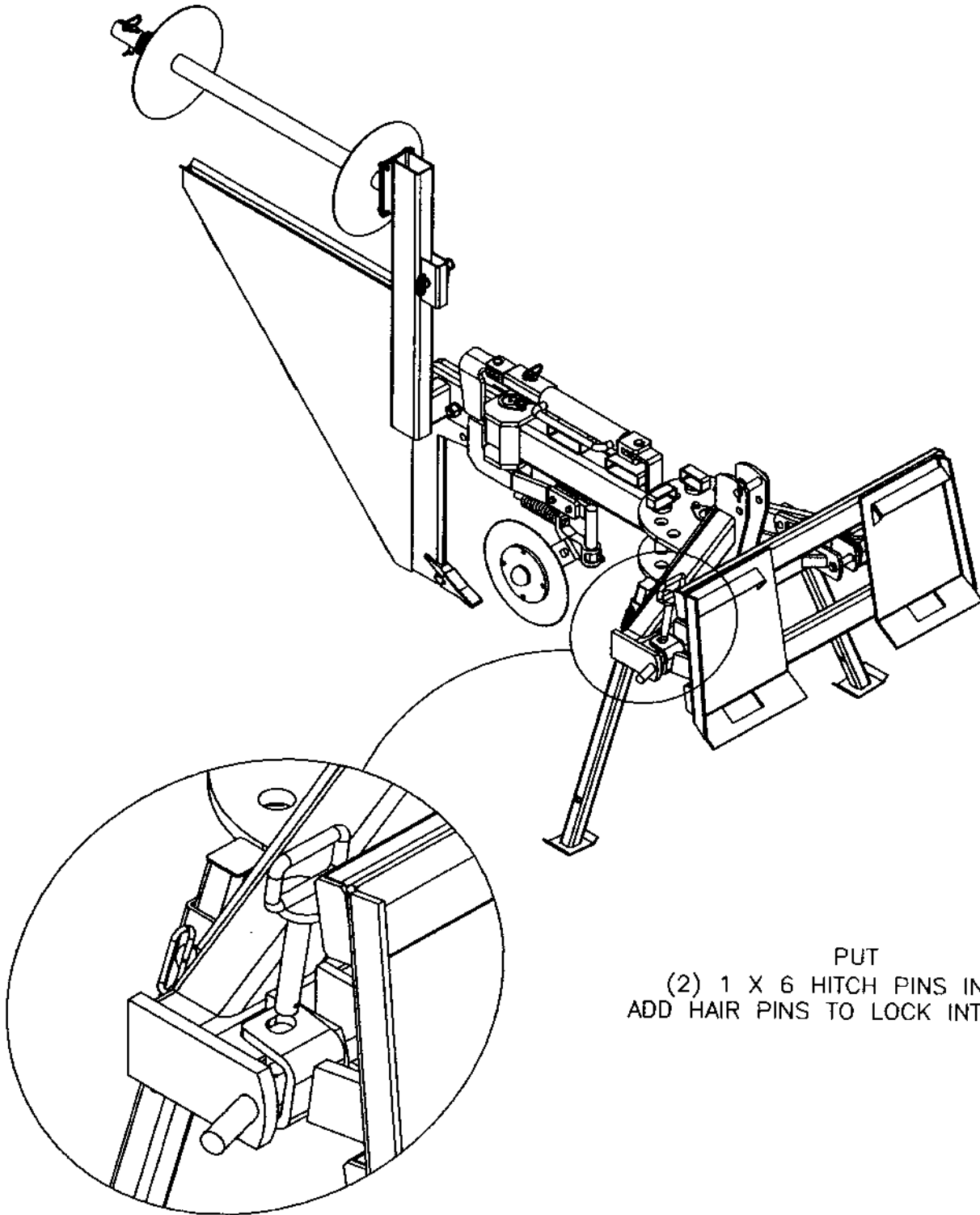
Key	Qty	Part No.	Description
1	1	1200-60	Front Block
2	2	1200-61	Cylinder pin
3	1	1200-62	Fabric Curtain (48")
4	1	1200-63	Fabric Curtain (42")
5	1	1200-64	Cylinder hose 24"
6	1	1200-65	Cylinder hose 30"
7	2	1200-66	Pioneer ends

OPTIONAL CENTER PULL SKID LOADER PLATE

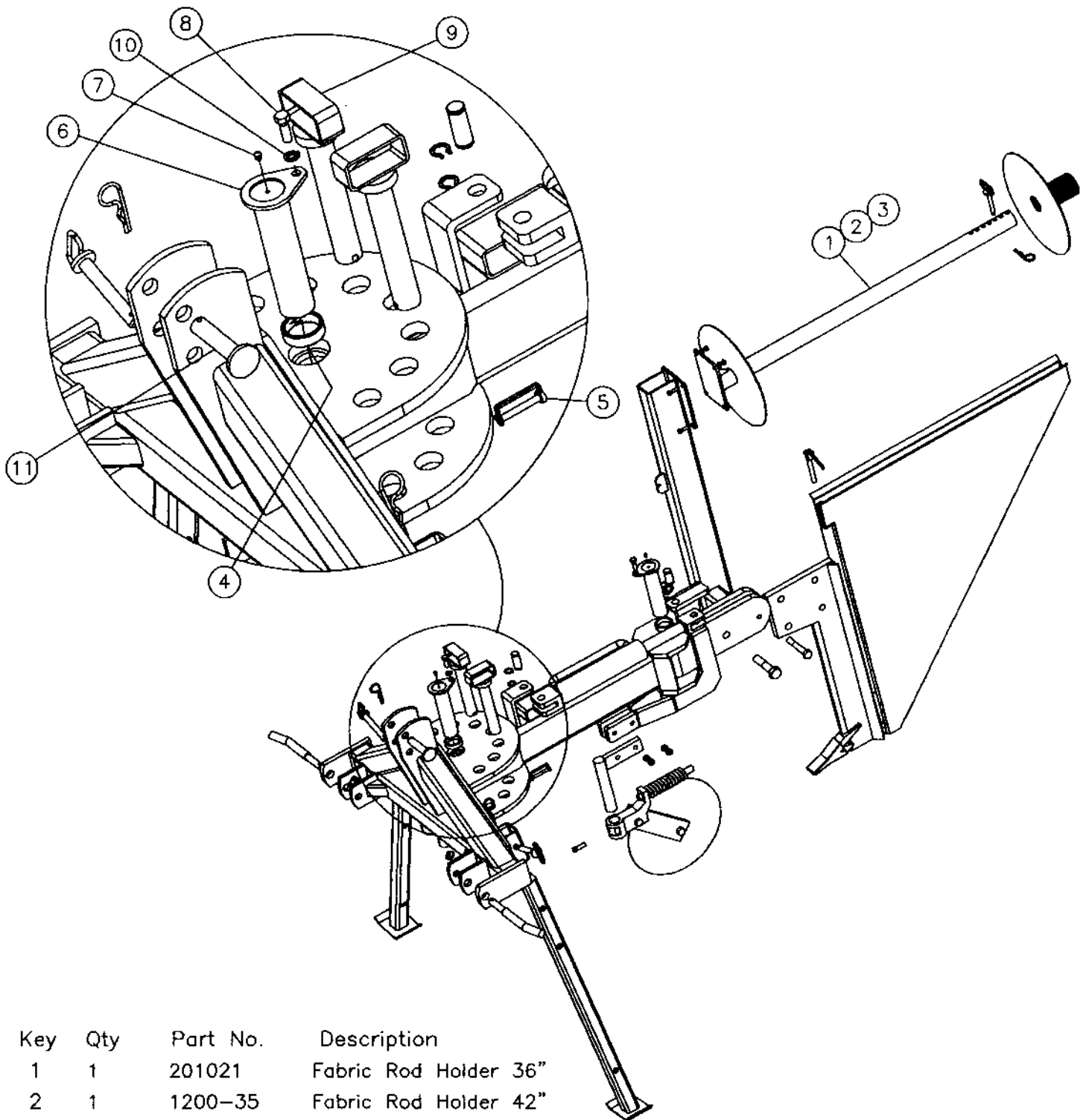
TO ORDER CENTER PULL SKID
LOADER PLATE, ORDER BY PART# CPS-1050



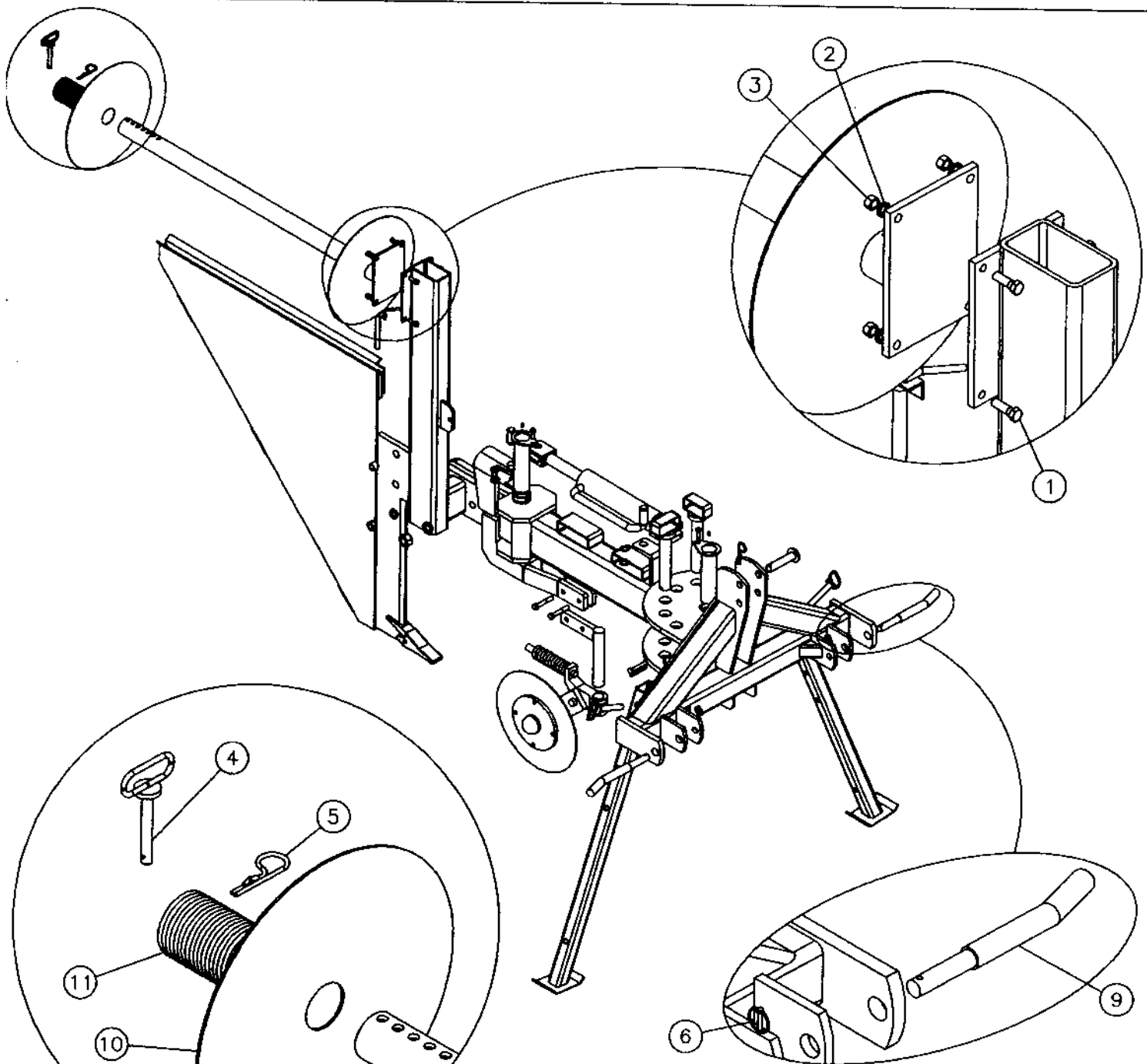
INSTRUCTIONS FOR USING THE CENTER PULL SKID LOADER PLATE



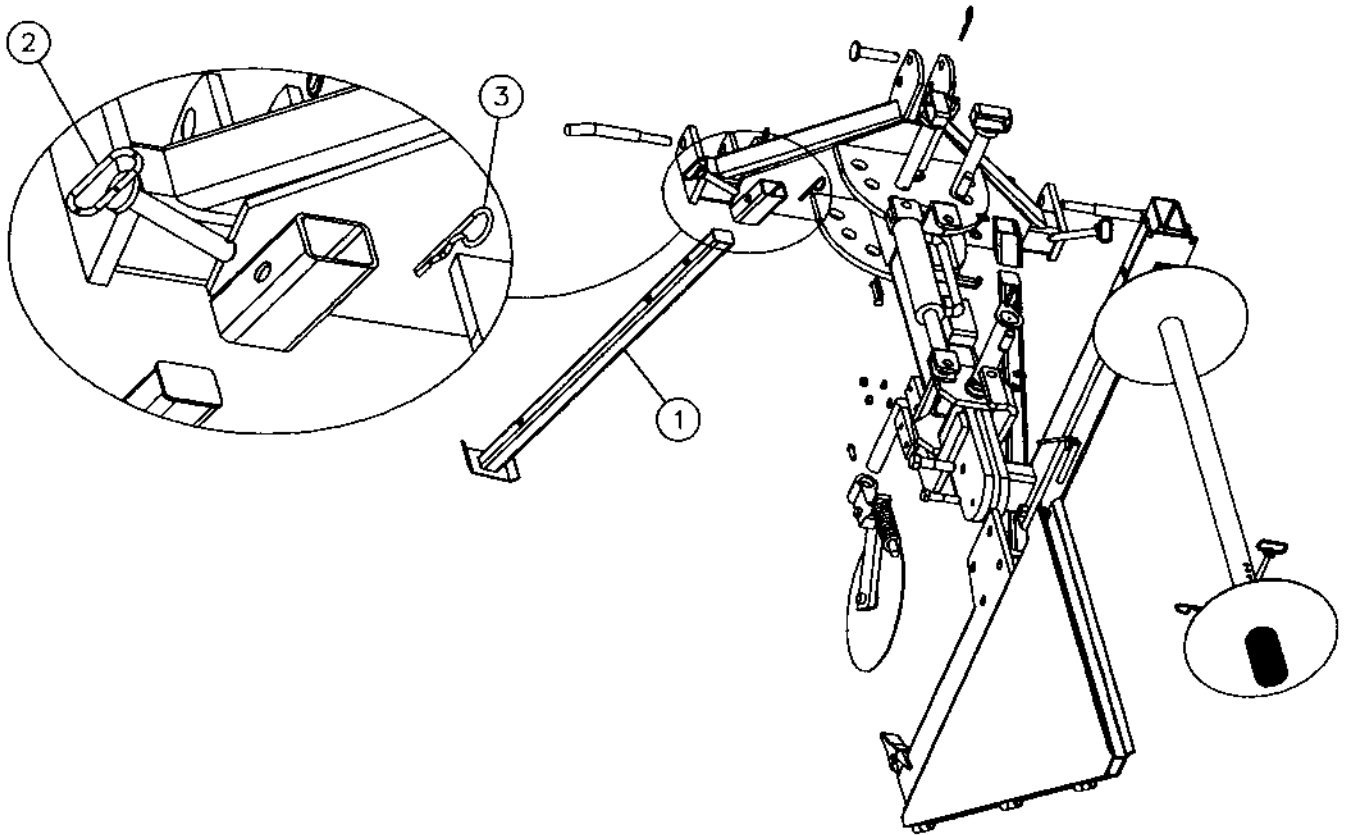
PUT
(2) 1 X 6 HITCH PINS IN AND
ADD HAIR PINS TO LOCK INTO PLACE



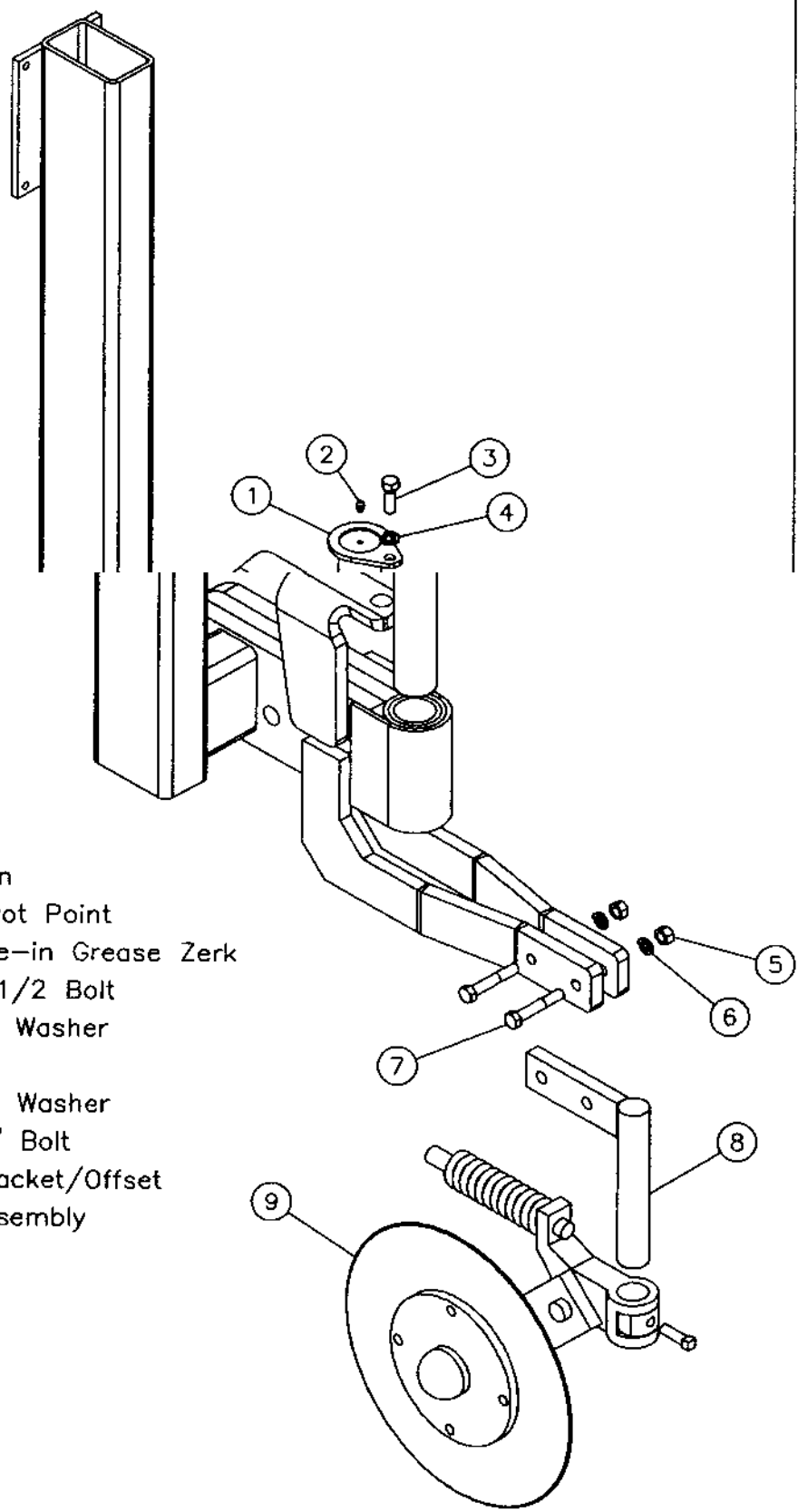
Key	Qty	Part No.	Description
1	1	201021	Fabric Rod Holder 36"
2	1	1200-35	Fabric Rod Holder 42"
3	1	1200-36	Fabric Rod Holder 48"
4	2	1200-49	Split bushing (2" ID)
5	2	1200-52	Squared Retainer Snap Pin
6	2	10092	2" Pin Pivot Point
7	2	1200-55	5/16 Drive-in Grease Zerk
8	2	1200-56	1/2 x 1 1/2 Bolt
9	2	201073	Pin for Rotary Offset
10	2	1200-19	1/2 Lock Washer
11	1	1200-14	Top Link Pin



Key	Qty	Part No.	Description
1	4	1200-07	3/8" X 1 1/2" Bolt
2	4	1200-08	3/8" Lock Washer
3	4	1200-09	3/8" Nut
4	2	1200-32	1/2" x 4" Hitch Pin w\Hair pin
5	3	1200-15	3/16 Hair Pin
6	1	1200-23	Retaining Pin
7	1	201106	Couler Bracket / offset
8	1	1200-47	Couler Assembly
9	1	201028	Cat. 1 & 2 3-point Pin
10	1	201031	Removable Fabric Retention Plate
11	1	1200-12	Fabric Tension Spring

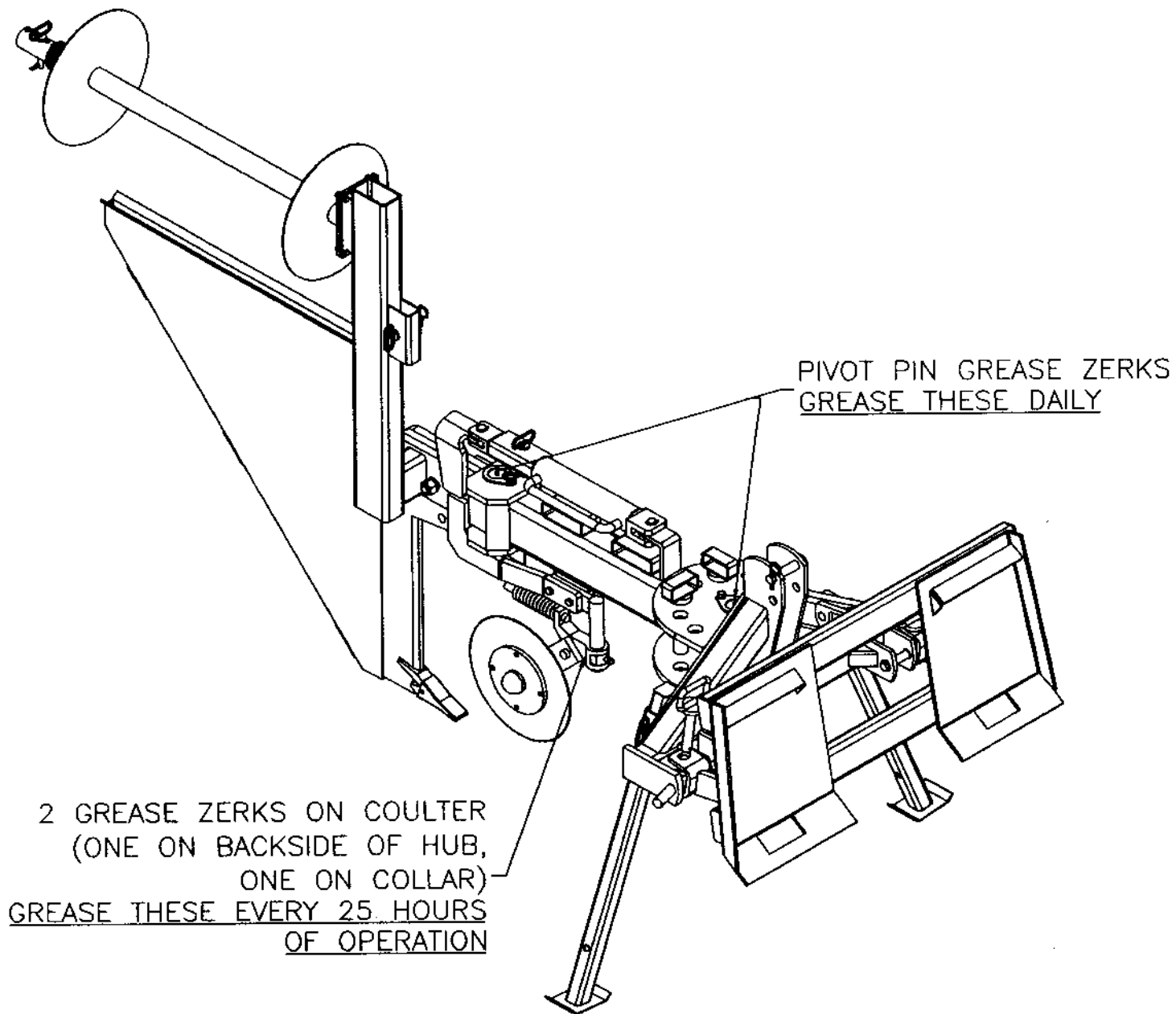


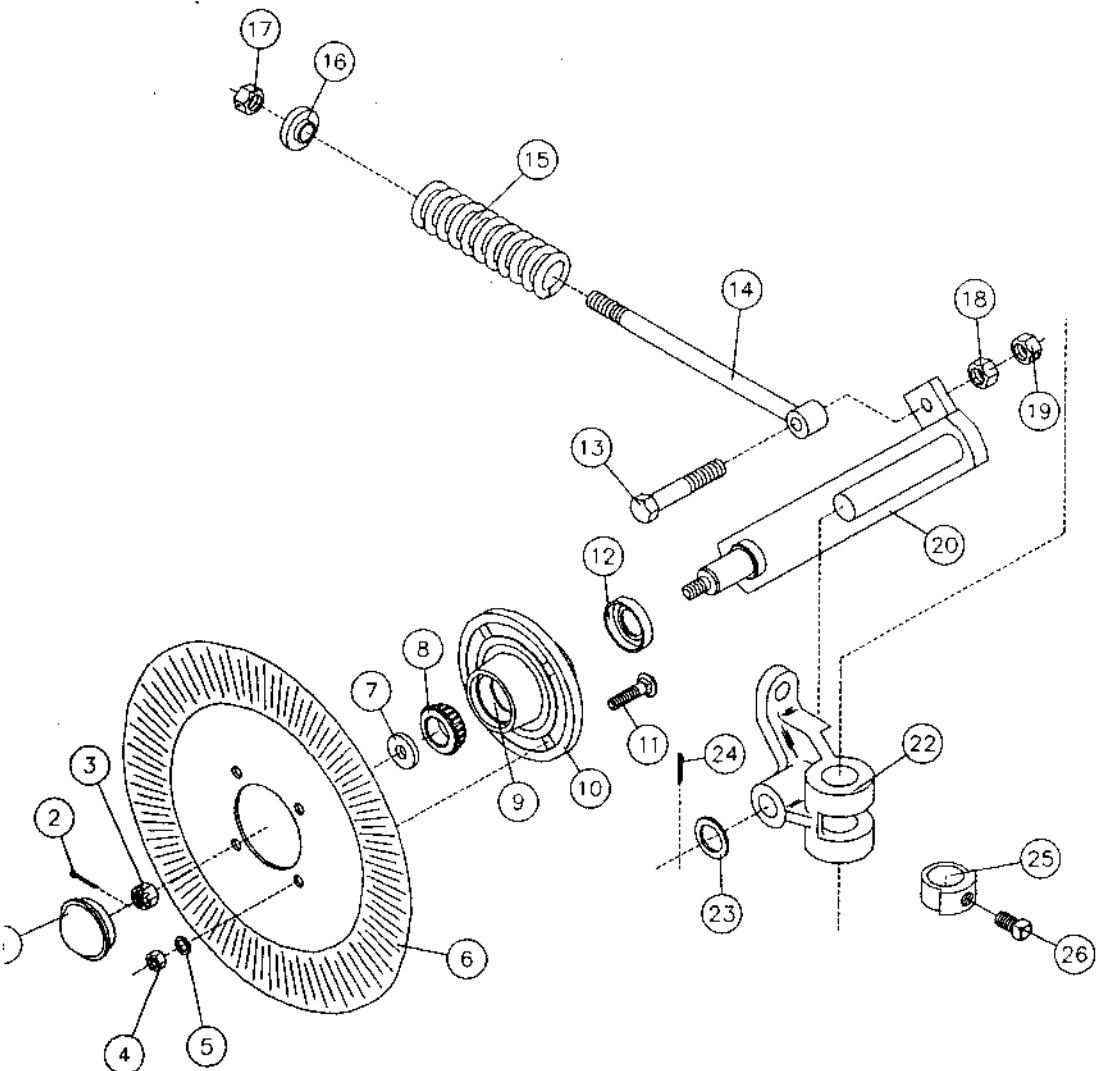
Key	Qty	Part No.	Description
1	2	201018	Leg Silt Fence Plow
2	2	1200-32	1/2" x 4" Hitch Pin w\Hair pin
3	3	1200-15	3/16 Hair Pin



Key	Qty	Part No.	Description
1	1	10092	2" Pin Pivot Point
2	1	1200-55	5/16 Drive-in Grease Zerk
3	1	1200-56	1/2 x 1 1/2 Bolt
4	2	1200-19	1/2" Lock Washer
5	2	1200-01	5/8" Nut
6	2	1200-58	5/8" Lock Washer
7	2	1200-20	5/8" X 3" Bolt
8	1	201106	Coulter Bracket/Offset
9	1	1200-47	Coulter Assembly

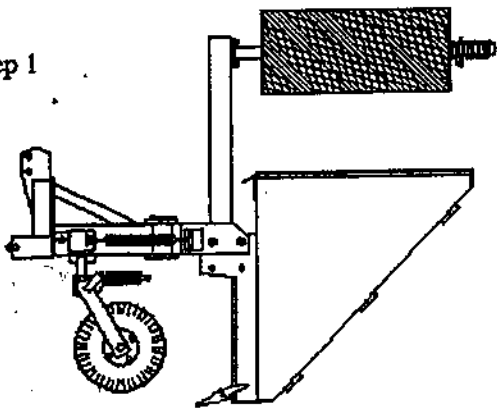
GREASE POINTS



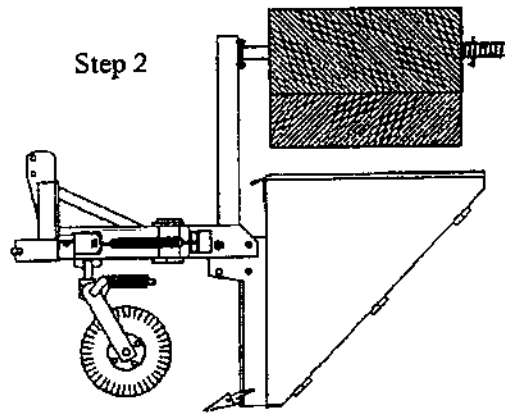


Key	Qty	Part No.	Description
1	1	2570-375	HUB CAP
2	1	2531-102	1/8 X 1 1/4 COTTER PIN BLACK
3	1	2520-469	5/8-1/ SLOTTED HEX NUT, BLACK
4	4	2520-352	1/2-13 HEX NUT ZP
5	4	2525-352	1/2 MED LOCKWASHER ZP
6	1	2571-161	.157 X 15.94" RIPPLE BLADE
7	1	2526-449	5/8 FLATWASHER, 1/4 ±.010 THK
8	2	2550-027	CONE, LM67048
9	2	2550-029	CUP (PRE-ASSEM. W/ NO. 18)
10	1	2900-102	HUB SUB-ASSEMBLY
11	4	2505-337	1/2-13 X 1 1/4 CAR BLT GR 5 ZP
12	1	2250-115	SEAL CR 16069
13	1	2502-410	3/4-16 X 3" HHCS GR 5 ZP
14	1	2570-125	PRESSURE ROD, 9 3/8" EYEBOLT
15	1	2550-708	7/16 WIRE 2 1/8 OD X 1 1/4 ID X 7 1/4 C SPRING
16	1	2555-112	2910 SPRING BUSHING CASTING
17	1	2520-515	3/4-10 LOCK HEX NUT ZP
18	1	2520-508	3/4-16 HEX NUT ZP
19	1	2520-511	3/4-16 LOCK HEX NUT ZP
20	1	2910-201	COULTER ARM W.A.
21	1	2990-318	16" STRAIGHT SHANK
22	1	2910-320	PIVOT CASTING ASS'Y
23	1	2526-561	1 17/64ID X 1 7/8OD X 14GA MB BL
24	1	2531-125	1/4 X 1 3/4 COTTER PIN ZP
25	1	2910-301	LOCKING COLLAR PLOW COULTER
26	1	2503-379	5/8-11 X 1 SQ HCPSS GR 5 ZP
27	1	2531-161	5/16 X 2 1/2 COTTER PIN ZP
28	1	2530-208	3/8 X 2 1/2 ROLL PIN ZP

Step 1

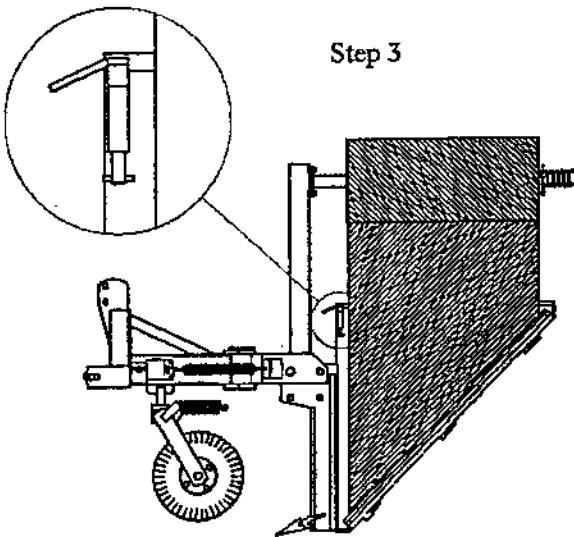


Step 2

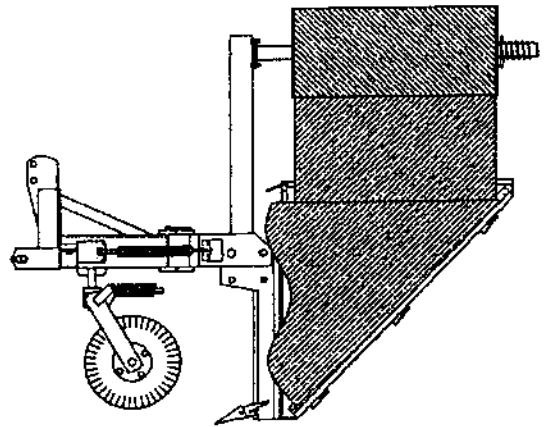


After you have "The Silt Fence Plow"
Mounted to the tractor or skidloader,
Install the roll of fabric

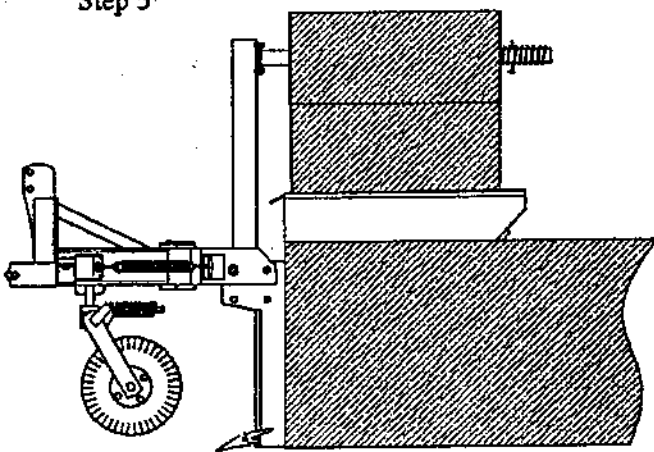
Step 3



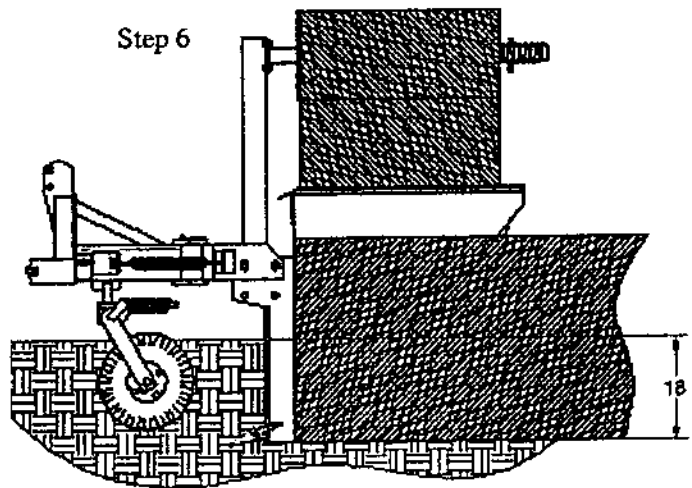
Step 4



Step 5



Step 6

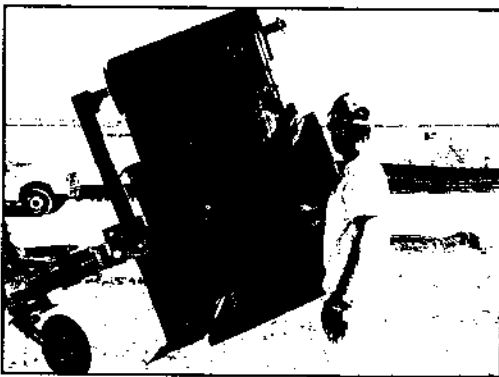


How to Operate *THE SILT FENCE PLOW*

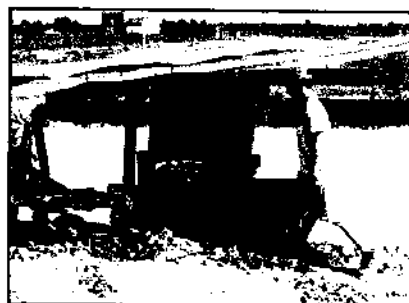
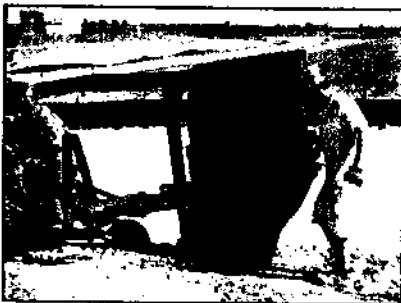
1. Load the roll of fabric on the machine and place the fabric plate behind the roll. Next, place the fabric tension spring and the retaining pin. The fabric spring tension can be adjusted by turning the spring to tighten or relieve the tension on the roll of fabric. Very little tension, if any, is required except in windy conditions. **(SEE BELOW)**



2. Thread the fabric under the stainless steel rod in the back of the chute. The rod in the back of the chute transitions the fabric from a horizontal to a vertical position. Pull the fabric towards the front of the machine and close the fabric chute door. **(SEE BELOW)**



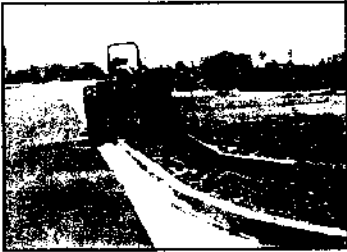
3. Tip the machine slightly forward with the hydraulic top link cylinder (required when using a tractor) when attached to the three point hitch of a tractor or, when using a skid loader, use the bucket cylinder. Lower the machine into the ground to the desired depth of installation. Unroll the fabric so there is slack between the roll of fabric and the chute. This will allow the ground to grab the fabric before the roll of fabric starts turning. Let the tail of the fabric drag until the desired starting point is reached. This way there is no waste of silt fence material at the beginning of each run. When one person is operating the machine, the fabric can be staked down to start and when two people are operating it, one person simply holds onto the end of the fabric. **(SEE BELOW)**



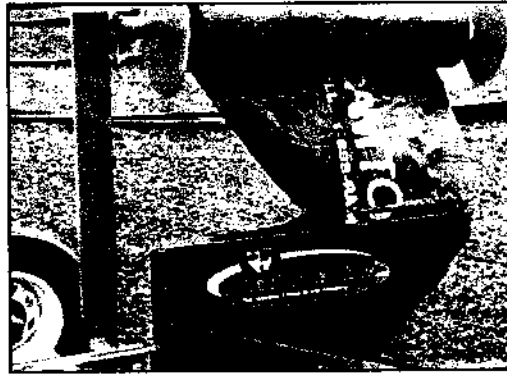
How to Operate THE SILT FENCE PLOW (FLOW)

4. As the machine moves forward, the fabric is grabbed by the ground as it comes out of the fabric chute. The unique positive feed design keeps the fabric tight at the top and bottom, eliminating the saggy or wavy look some silt fence installations have. Silt fence can be installed as fast as the power unit can comfortably be operated. When using a tractor, a hydraulic top link cylinder is required to adjust the plow to follow the terrain of the ground. This keeps the machine from nose diving into the ground or coming out of the ground. With a skid loader, the bucket cylinder is used to follow the terrain of the ground.

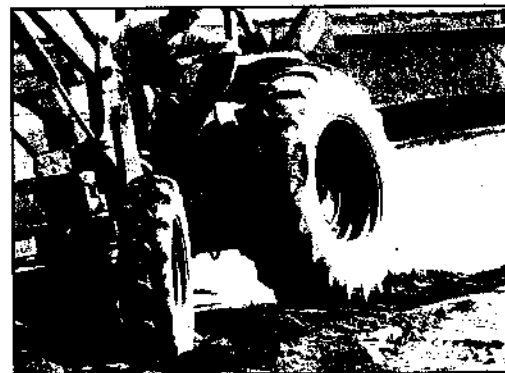
(SEE BELOW)



5. When the end of the silt fence run is reached, the fabric can be cut off above the chute and run out. It can also be cut from each side of the fabric approximately 1/3 of the way to the center. After the cut fabric comes out the back of the chute, it can then be cut all the way through and the machine lifted out of the ground. Ending the run this way does not require the fabric to be re-fed through the chute. **(SEE BELOW)**



6a. Pack the silt fence in using the power unit to drive down each side of the silt fence. The Silt Fence Plow shears a 2" wide trench upward disturbing a minimal amount of soil. The disturbed dirt is loosened to create optimum soil conditions for mechanical compaction. **(SEE BELOW)**



6b. After the fabric has been properly compacted, it cannot be pulled out of the ground. In most cases, if the silt fence has to be removed, a log chain needs to be tied to the fabric and it is pulled out by a power unit. Removing silt fence this way can disturb the soil greatly. When silt fence removal is required, some people attach a blade to a weed eater and cut the fabric off at the top of the ground and leave the underground portion untouched.

(SEE BELOW)

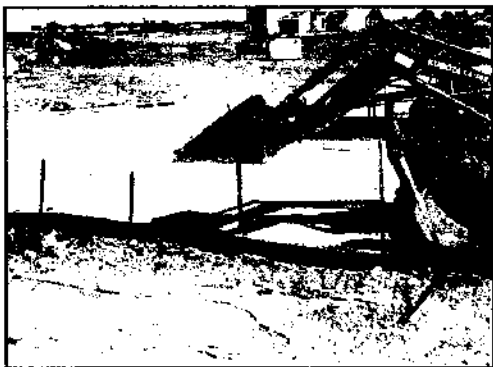


How to Operate THE SILT FENCE FLOW (CONT.)

7. When using steel posts, they can be driven into the ground with the bucket of a tractor or a skid loader. Steel posts can be recycled and used over many times.

Wooden posts are generally driven with a sledgehammer or a pneumatic post driver.

(SEE BELOW)



8a. When attaching the silt fence to wood posts, it can be stapled directly to the posts or wood lath can be used to sandwich the fabric for better holding. At least 5 staples are required per post and the posts are to be spaced, depending on the amount of water flow the area will receive, 4 to 8' apart. Always place posts on the downhill side of the fence to support the fence. Posts need to be driven in the ground as deep as the fabric is sticking out of the ground.

(SEE BELOW)



8b. When attaching the silt fence to steel posts, it is recommended that 2 to 3 zip ties be used in the upper 8" of the fence and tied diagonally to the post for better strength (most common ties are automotive zip ties). Always place post on the downhill side of the fence. Posts need to be driven as deep in the ground as the fabric is out of the ground. **(SEE BELOW)**



How to Operate *THE SILT FENCE PLOW (CONT.)*

9. Put down: Loaded up and ready to go to the next job.
(SEE BELOW)

