

## Wear Parts for Rock Ripper Augers

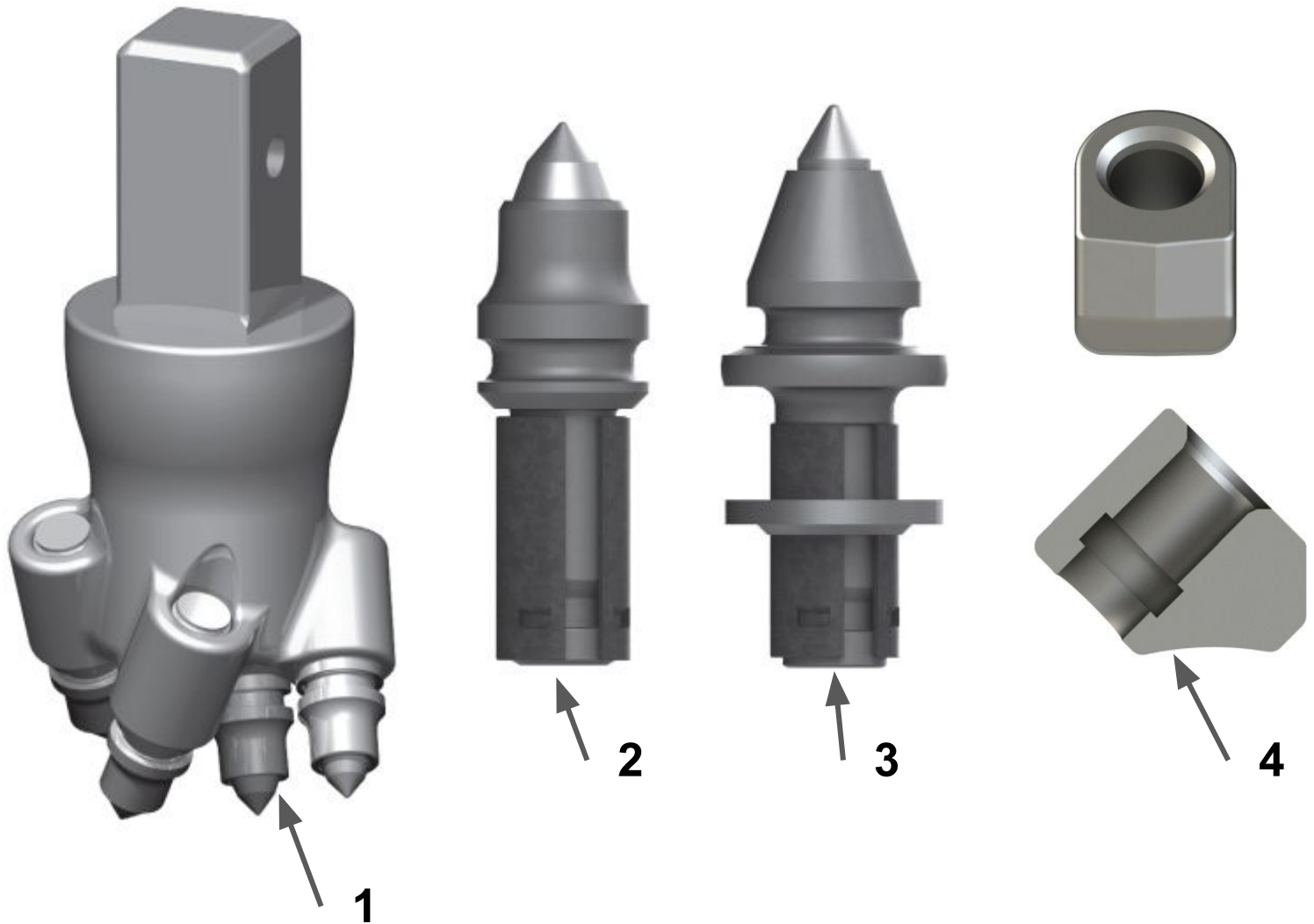
Width	Teeth
4.5"	4
6"	8
9"	10
12"	12
16"	15
18"	16
20"	17
24"	20
30"	24
36"	26



**Bullet Tooth**

**Pilot Bit**

# Wear Parts - Rock Ripper Augers



Item	Model	Description
1	137208	Rock Ripper Pilot Bit (Includes 4 Replaceable Teeth)
2	850032	Standard Duty Rock Ripper Tooth
3	850035	Heavy Duty Rock Ripper Tooth (Strata)
4	990043	Weld-On Tooth Holder (For Repairs Only)