

Wear Parts for McMillen Augers

HDF



HDC



- HDF - Fabricated Head (Teeth Bolt On)
- HDC - Cast Head (Teeth Pound into Holders)
- HTF - Tree Auger (Teeth Bolt On)

HTF

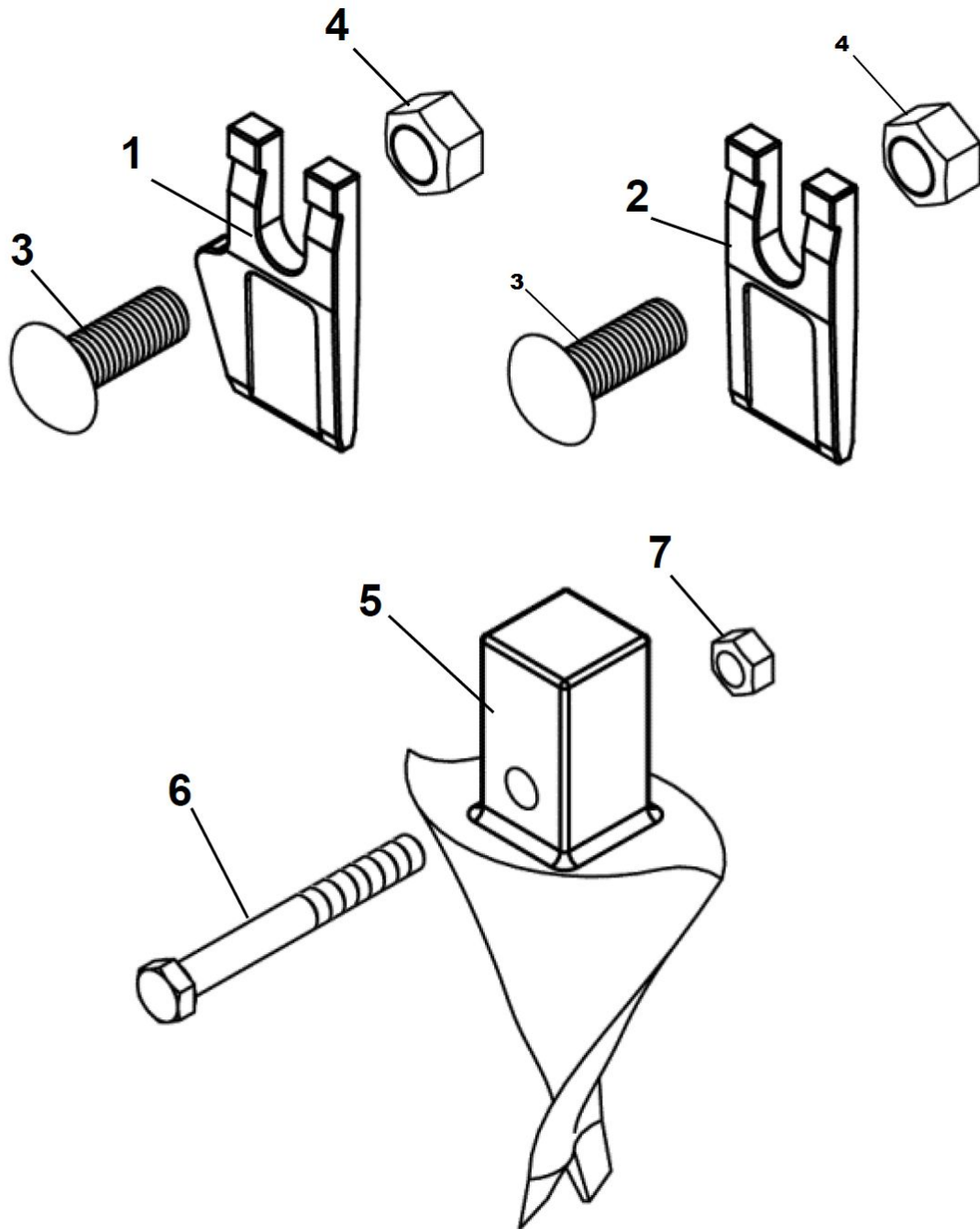


Gage Tooth (Outside)

Wisdom Tooth (Inside)

**Pilot Bit
(Fishtail Point)**

Wear Parts HDF (Fab) Augers



Wear Parts HDF (Fab) Augers

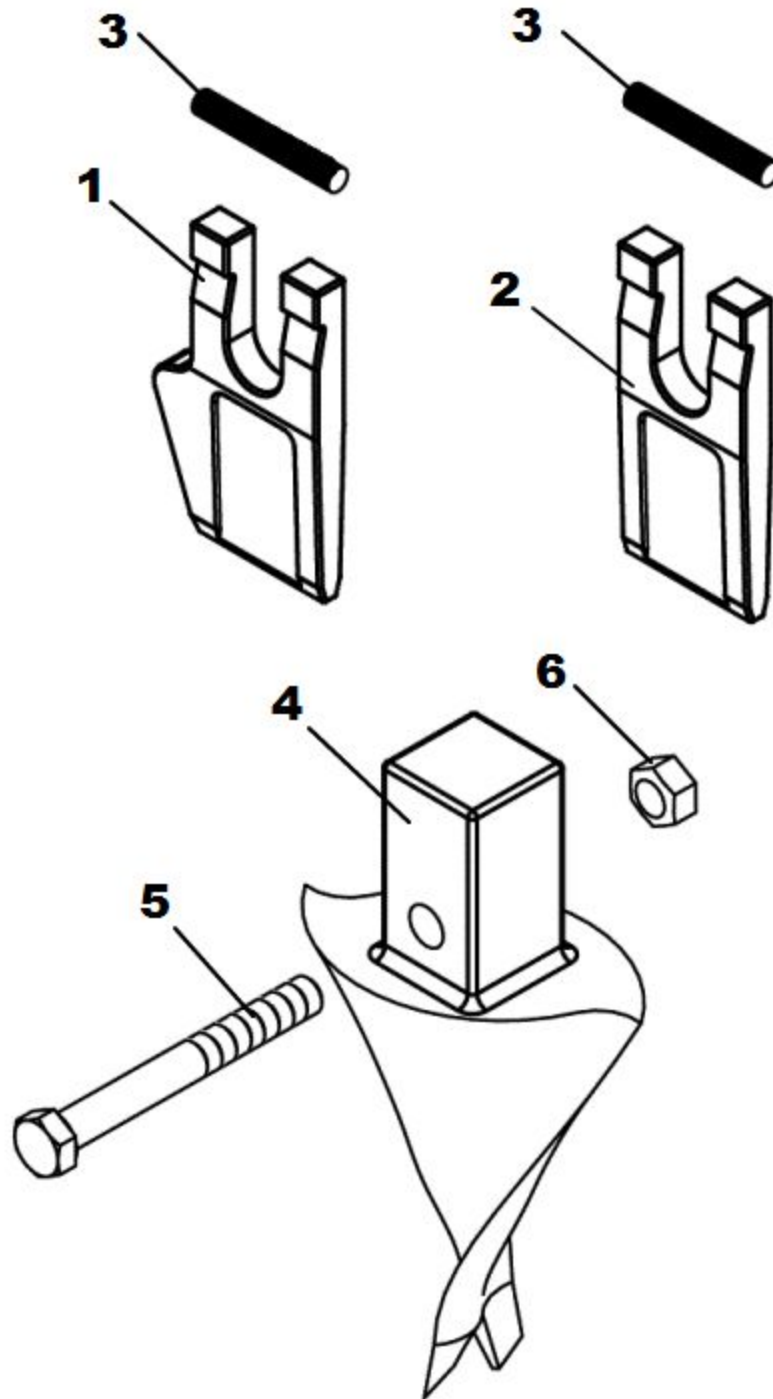
Item	Model	Description
1	22169	Standard Gage Tooth
	140010	Hard Faced Gage Tooth
2	22168	Standard Wisdom Tooth
	22170	Hard Faced Wisdom Tooth
	22186	Carbide Wisdom Tooth
2	22181	Standard Chisel Tooth (Not Shown)
	22182	Carbide Chisel Tooth (Not Shown)
3&4	90456	5/8" x 1.75" Carriage Bolt & 5/8" Lock Nut
5	22190	Standard Fishtail Point
	22191	Carbide Fishtail Point
	22192	Hard Faced Fishtail Point
	22193	Hard Faced & Carbide Fishtail Point
	22189	Replacement Weld-On Drive Lug (Repairs)
5	22003	Standard Fishtail Point (4" Auger Only)
	22004	Hard Faced Fishtail Point (4" Auger Only)
	22005	Hard Faced / Carbide Fishtail Point (4" Auger Only)
6	1052	3/8" UNC x 3.25 Hex Capscrew
7	1837	3/8" UNC Stover Nut

Note: Items in bold are standard wear parts included with auger.

Wear Parts HDF (Fab) Augers

Diameter	Gage Teeth	Wisdom Teeth
4" Auger	0	0
6" Auger	2	0
8" Auger	2	0
9" Auger	2	1
10" Auger	2	1
12" Auger	2	2
15" Auger	2	3
16" Auger	2	3
18" Auger	2	4
20" Auger	2	4
24" Auger	2	6
30" Auger	2	7
36" Auger	2	9

Wear Parts HDC (Cast) Augers



Wear Parts HDC (Cast) Augers

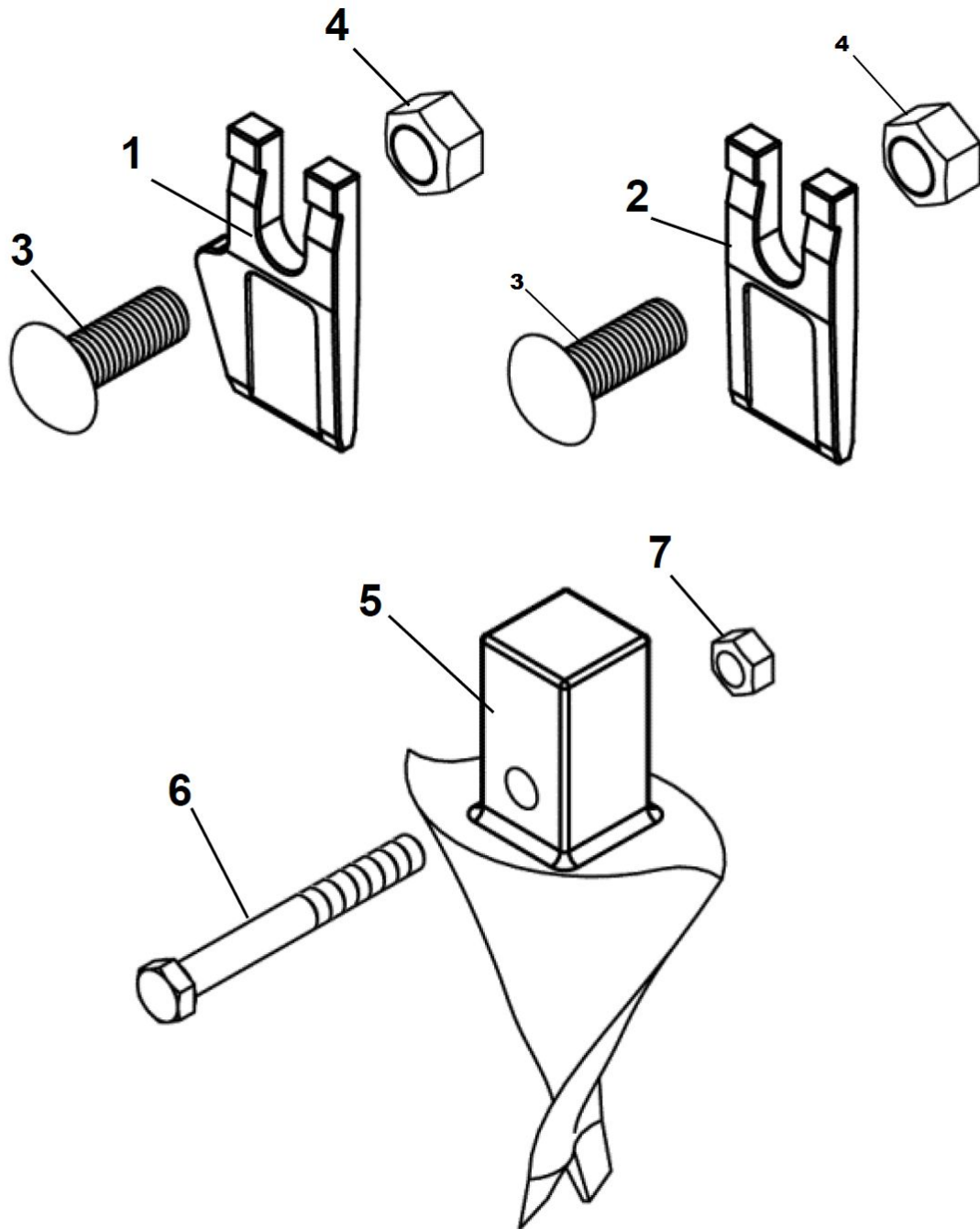
Item	Model	Description
1	22169	Standard Gage Tooth
	140010	Hard Faced Gage Tooth
2	22168	Standard Wisdom Tooth
	22170	Hard Faced Wisdom Tooth
	22186	Carbide Wisdom Tooth
2	22181	Standard Chisel Tooth (Not Shown)
	22182	Carbide Chisel Tooth (Not Shown)
3	22154	Rubber Lock For Auger Teeth - 1.75" Per Tooth
4	22190	Standard Fishtail Point
	22191	Carbide Fishtail Point
	22192	Hard Faced Fishtail Point
	22193	Hard Faced & Carbide Fishtail Point
	22189	Replacement Weld-On Drive Lug (Repairs)
5	1052	3/8" UNC x 3.25 Hex Capscrew
6	1837	3/8" UNC Stover Nut

Note: Items in bold are standard wear parts included with auger.

Wear Parts HDC (Cast) Augers

Diameter	Gage Teeth	Wisdom Teeth
6" Auger	0	2
8" Auger	2	2
9" Auger	2	2
10" Auger	2	2
12" Auger	2	2
15" Auger	4	2
16" Auger	4	2
18" Auger	4	2
20" Auger	4	2
24" Auger	6	2
30" Auger	8	2
36" Auger	10	2
42" Auger	14	2
48" Auger	16	2

Wear Parts HTF (Tree) Augers



Wear Parts HTF (Tree) Augers

Item	Model	Description
1	22169	Standard Gage Tooth
	140010	Hard Faced Gage Tooth
2	22168	Standard Wisdom Tooth
	22170	Hard Faced Wisdom Tooth
	22186	Carbide Wisdom Tooth
2	22181	Standard Chisel Tooth (Not Shown)
	22182	Carbide Chisel Tooth (Not Shown)
3&4	90456	5/8" x 1.75" Carriage Bolt & 5/8" Lock Nut
5	22190	Standard Fishtail Point
	22191	Carbide Fishtail Point
	22192	Hard Faced Fishtail Point
	22193	Hard Faced & Carbide Fishtail Point
	22189	Replacement Weld-On Drive Lug (Repairs)
5	22003	Standard Fishtail Point (4" Auger Only)
	22004	Hard Faced Fishtail Point (4" Auger Only)
	22005	Hard Faced / Carbide Fishtail Point (4" Auger Only)
6	1052	3/8" UNC x 3.25 Hex Capscrew
7	1837	3/8" UNC Stover Nut

Note: Items in bold are standard wear parts included with auger.

Wear Parts HTF (Tree) Augers

Diameter	Gage Teeth	Wisdom Teeth
18" Auger	4	3
24" Auger	4	6
30" Auger	4	7
36" Auger	4	9
36" Auger	4	11
36" Auger	4	13