



Manual ID: Drive Manual RT Series.indd
Release Date: August, 21 2013

Owner's Manual
Parts Manual
Safety Precautions
Operating Instructions
Maintenance

Printed in the USA

TWO SPEED MODELS:
DT-5 DT-15 RT-9 RT-12 RT-20
RT-30 RT-40



PREFACE

This manual is used to familiarize you with safety, assembly, operation, adjustment, troubleshooting, and maintenance. Read and follow the recommendations in this manual to ensure safe and efficient operation. Keep this manual with the attachment at all times for future reference.

We want you to be completely satisfied with your new product, feel free to contact your local Authorized Service Dealer for help with service, replacement parts, or any other information you may require. If you need assistance in locating a dealer, visit our web site at www.pengoattachments.com or call customer service at 1-800-599-0211.

Whenever you contact your Authorized Service Dealer or PENGGO, always have the model number and serial number of your product available. These numbers will help provide exact information about your specific product. You will find the model and serial numbers on an ID plate located on the product.

The descriptions and specifications in this manual are subject to change without notice. PENGGO reserves the right to improve products. Some product improvements may have taken place after this manual was printed. For the latest information on PENGGO attachments, visit our web site at www.pengoattachments.com or call customer service at 1-800-599-0211.

Thank you for buying and using PENGGO attachments!

TABLE OF CONTENTS

| | |
|--|----|
| Preface / Table of Contents | 2 |
| Safety Statements | 3 |
| General Precautions | 4 |
| General Precautions Cont. | 5 |
| General Precautions Cont. (811 Information) / Serial Number Identification..... | 6 |
| Product / Equipment Precautions | 7 |
| Safety Decal Information | 8 |
| Product Specifications DT-5 / DT-15 | 9 |
| Product Specifications RT-9 / RT-12 | 10 |
| Product Specifications RT-20 / RT-30 | 11 |
| Product Specifications RT-40 | 12 |
| Typical Attachment Connections | 13 |
| Set-Up / Hydraulic System Hook-Up / Operating Procedures..... | 14 |
| Operating Procedures Cont. / Maintenance Instructions | 15 |
| Maintenance Instructions / Storage Instructions / Checking and Changing Gear Oil | 16 |
| Troubleshooting | 17 |
| Two Speed Hydraulic Motor Information | 18 |
| Two Speed Hydraulic Motor Information | 19 |
| Parts Breakdown DT-5 | 20 |
| Gearbox Breakdown DT-5 | 21 |
| Parts Breakdown DT-15 | 22 |
| Gearbox Breakdown DT-15 | 23 |
| Parts Breakdown RT-9 | 24 |
| Gearbox Breakdown RT-9 | 25 |
| Parts Breakdown RT-12 | 26 |
| Gearbox Breakdown RT-12 | 27 |
| Parts Breakdown RT-20 | 28 |
| Gearbox Breakdown RT-20 | 29 |
| Parts Breakdown RT-30 | 30 |
| Gearbox Breakdown RT-30 | 31 |
| Parts Breakdown RT-40 (Old Model) | 32 |
| Gearbox Breakdown RT-40 (Old Model) | 33 |
| Parts Breakdown RT-40 (New Model) | 34 |
| Gearbox Breakdown RT-40 (New Model) | 35 |
| Pengo Warranty Policy | 36 |
| Torque Chart for Common Bolts | 37 |

SAFETY STATEMENTS

DANGER



THIS STATEMENT IS USED WHERE SERIOUS INJURY OR DEATH WILL RESULT IF THE INSTRUCTIONS ARE NOT FOLLOWED PROPERLY.

WARNING



THIS STATEMENT IS USED WHERE SERIOUS INJURY OR DEATH COULD RESULT IF THE INSTRUCTIONS ARE NOT FOLLOWED PROPERLY.

CAUTION



THIS STATEMENT IS USED WHERE MINOR INJURY COULD RESULT IF THE INSTRUCTIONS ARE NOT FOLLOWED PROPERLY.



THIS SYMBOL BY ITSELF OR USED WITH A SAFETY SIGNAL WORD THROUGHOUT THIS MANUAL IS USED TO CALL YOUR ATTENTION TO INSTRUCTIONS INVOLVING YOUR PERSONAL SAFETY OR THE SAFETY OF OTHERS. FAILURE TO FOLLOW THESE INSTRUCTIONS CAN RESULT IN INJURY OR DEATH.

WARNING



READ MANUAL PRIOR TO INSTALL

Improper installation, operation, or maintenance of the equipment could result in serious injury or death. Operators and maintenance personnel should read this manual as well as all manuals related to this equipment. **FOLLOW ALL SAFETY INSTRUCTIONS IN THIS MANUAL.**

WARNING



READ AND UNDERSTAND ALL SAFETY STATEMENTS

Read all safety decals and safety statements in all manuals prior to operating or working on this equipment. Know and obey all OSHA regulations, local laws and other professional guidelines for your operation. Know and follow good work practices when assembling, maintaining, repairing, mounting, removing or operating this equipment.



KNOW YOUR EQUIPMENT

Know your equipment's capabilities, dimensions and operations before operating. Visually inspect your equipment before you start, and never operate equipment that is not in proper working order with all safety devices intact. Check all hardware to assure it is tight. Make certain that all locking pins, latches, and connection devices are properly installed and secured. Remove and replace any damaged, fatigued or excessively worn parts. Make certain all safety decals are in place and are legible. Keep decals clean, and replace them if they become worn and hard to read.

WARNING



DO NOT MODIFY EQUIPMENT

Modifications may weaken the integrity of the equipment and may impair the functions, safety, life, and performance of the equipment. When making repairs, use only the manufacturer's genuine parts, following authorized instructions. Other parts may be substandard in fit and quality.



PREPARE FOR EMERGENCIES

- Be prepared if a fire starts.
- Keep a first aid kit near by when operating equipment.

GENERAL PRECAUTIONS

WARNING



OPERATOR SAFETY

- Protective clothing and equipment should be worn at all times.
- Wear protective clothing and equipment appropriate for the job. Avoid loose fitting clothing.
- Prolonged exposure to excessive noise can cause hearing loss. Wear suitable hearing protection such as ear plugs.
- Operating equipment safely requires the full attention of the operator. Avoid distractions.
- Do not operate the unit when you are tired, ill or under the influence of alcohol, drugs or medication.
- Never let a minor or inexperienced person operate the unit.
- Keep all body parts away from the drilling bit at all times.
- Inspect the area to be drilled before operation. Remove objects which can be thrown or become entangled.
- DO NOT operate the Drive attachment in areas where carbon monoxide fumes can accumulate.

CAUTION



PRODUCT SAFETY

- Inspect the entire product before operation.
- Replace parts that are cracked, chipped or damaged in any way before operation.
- Keep others away when making any adjustments to the unit.
- Damage to the Auger Drive and auger bit can result if the prime mover moves while the auger is still in the hole.

WARNING



PRACTICE SAFE MAINTENANCE

- Use proper tools and equipment when conducting maintenance.
- Work in a clean dry area.
- Inspect all parts. Be sure parts are in good working condition and installed properly.
- Remove build up of grease, oil or any debris.
- Remove all tools and unused parts from equipment before beginning operation.

WARNING



BE ALERT ON THE JOB SITE

Tragic accidents can occur if the operator is not alert to the presence of bystanders. Children in particular are often attracted to machinery and work activity. Never assume that children will remain where you last saw them. BE ALERT and turn the equipment off if children enter the work area. Keep children out of the work area and under supervision of another responsible adult.

WARNING



DRILLING SAFETY

- Inspect the area to be drilled before operation. Remove objects which can be thrown or become entangled. Be alert when drilling in locations where any type of landscaping fabric / mat may be present. The material can be rapidly drawn into the point of operation, possibly causing injury or death to anyone standing on or near the fabric.
- Keep all parts of your body away from the drilling bit when operating the unit.
- DO NOT operate the Auger Drive when the auger bit is more than 12" (305mm) above ground. The auger bit may bind and cause injury to the operator and damage to the equipment.
- While the auger bit is rotating, DO NOT attempt to manually guide the auger to a location.
- Ensure that overhead power / utility lines do not come into contact with the Drive attachment.
- DO NOT use a shovel or any other object to remove material from the auger bit or the hole while the Drive attachment is in use.

WARNING



UNDERGROUND HAZARDS

It is the responsibility of the operator to know where buried power, gas, telephone, and other utilities are at in the work area. This may lead to shock or an explosion. Have the work area marked for buried lines and do not dig in marked areas set by your local municipals. Striking a hard object underground with the auger turning can result in the slowing or stopping of the auger.

GENERAL PRECAUTIONS - CONTINUED

WARNING



LOWER OR SUPPORT RAISED EQUIPMENT

Do not work under raised booms without supporting them. Do not use support material made of concrete blocks, logs, buckets, barrels, or any other material that could suddenly collapse or shift positions. Make sure support material is solid, not decayed, warped, twisted, or tapered. Lower booms to ground level or on blocks. Lower booms and attachments to the ground before leaving the cab or operator's station. Whenever the boom structure must be raised for attachment installation or servicing block ensure the boom locking devices (if equipped) are deployed to prevent the accidental lowering of boom structures.

NEVER PLACE ANY BODY PART BETWEEN THE PRIME MOVER CHASSIS AND THE BOOM STRUCTURE! Refer to the operating and maintenance instructions provided by the prime mover manufacturer for specific information.

WARNING



USE CARE WITH SILICA DUST DURING OPERATION

Concrete and masonry products contain silica sand. Quartz, which is a form of silica and the most common mineral in the earth's crust, is associated with many types of rock. Some activities that silica dust may be present in the air include demolition, sweeping, loading, sawing, hammering, drilling, or planing of rock, concrete or masonry.

It is recommended to use dust suppression, dust collection or personal protective equipment during the operation of any attachment that may cause high levels of silica dust. The NIOSH recommended exposure limit for respirable crystalline silica is 0.05 mg/m³ as a time-weighted average for up to 10 hours/day during a 40-hour workweek [NIOSH 1974].

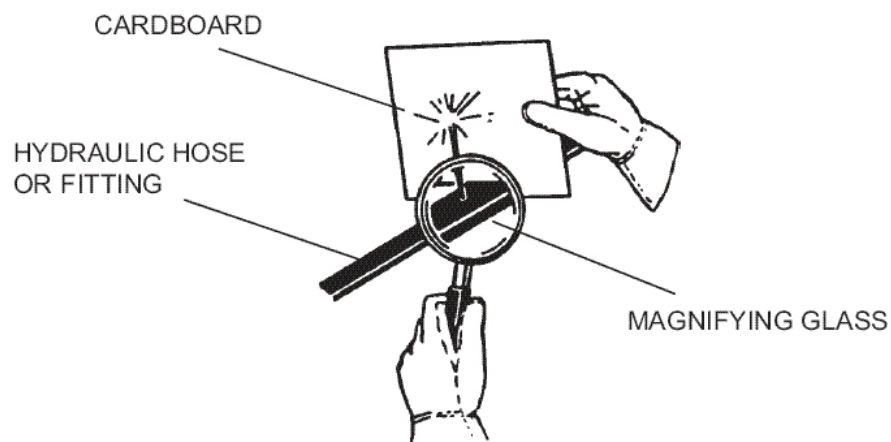
WARNING



USE CARE WITH HYDRAULIC FLUID PRESSURE

Hydraulic fluid under pressure can penetrate the skin and cause serious injury or death. Hydraulic leaks under pressure may not be visible. Before connecting or disconnecting hydraulic hoses, read your prime mover's operator's manual for detailed instructions on connecting and disconnecting hydraulic hoses or fittings.

- Keep unprotected body parts, such as face, eyes, and arms as far away as possible from a suspected leak. Flesh injected with hydraulic fluid may develop gangrene or other permanent disabilities.
- If injured by injected fluid, see a doctor at once. If your doctor is not familiar with this type of injury, ask him to research it immediately to determine proper treatment.
- Wear safety glasses, protective clothing, and use a piece of cardboard or wood when searching for hydraulic leaks. **DO NOT USE YOUR HANDS! SEE ILLUSTRATION.**



GENERAL PRECAUTIONS - CONTINUED



**Know what's below.
Call before you dig.**

One easy phone call to 811 starts the process to get your underground utility lines marked for free. When you call 811 from anywhere in the country (USA), your call will be routed to your local One Call Center. Local One Call Center operators will ask you for the location of your digging job and route your call to affected utility companies. Your utility companies will then send a professional locator to your location to mark your lines within a few days. Once your underground lines have been marked, you will know the approximate location of your utility lines and can dig safely, because knowing what's below protects you and your family.

Every state has different rules and regulations governing digging, some stricter than others. In addition, 62 separate One Call Centers serve different areas of the country; now 811 will connect you directly to your local one call center.

For more information go to www.call811.com

Always call 811 before starting any digging project!

**Customers outside the United States need to contact their local utility company for underground safety regulations specific to the area.

SERIAL NUMBER IDENTIFICATION

Its important to make the correct reference to the serial number of the unit when making repairs or ordering parts. The serial number plate will be located near the top of the Anchor / Auger Drive attachment. Below is an example of the serial number plate.



Figure 1

PRODUCT / EQUIPMENT PRECAUTIONS

CAUTION



PRIME MOVER LIFT CAPACITY

Alert yourself to the weight of the Drive Unit. **DO NOT** exceed the recommended lift capacity of the prime mover. Refer to your prime mover's owners manual for suggested lift capacity and lift considerations.

WARNING



PRIME MOVER / ATTACHMENT INSTALLATION

Ensure all connection pins, fasteners and latches are properly secured. **Ensure that the mounting frame / attachment mounting plate is rigidly secured to the prime mover.** Improper installation can result in product damage, personal injury and death.

Ensure all hydraulic hose assemblies are of adequate length and have enough slack for full Drive attachment movement. Failure to provide adequate length hydraulic hoses can result in hose rupturing. A hydraulic hose rupture can result in product damage, personal injury and death.



OPERATING THE PRIME MOVER

Avoid steep hillside operation, which could cause the prime mover to overturn. Consult your prime mover operator's and safety manuals for maximum incline allowable.

WARNING



TRANSPORTING THE DRIVE ATTACHMENT

- Travel only with the Drive attachment in a safe transport position to prevent uncontrolled swinging.
- Tether the Drive attachment with a chain, if necessary, to prevent uncontrolled swinging of the auger when moving from hole to hole.
- Remove the earth auger or helical anchor from the Drive attachment before transporting to and from the job site.
- Use extreme care during transport to prevent contact between the Drive attachment and bystanders or solid objects. Contact with the Drive attachment could cause serious damage, injury or death.
- Never operate the Drive attachment while transporting.
- Drive slowly over rough ground and on slopes. Position the Drive attachment as low to the ground as possible maintaining a low center of gravity.

CAUTION



DRIVE ATTACHMENT SIDE LOADING

Side loading is NOT recommended. Excessive side loading can cause output shaft deflection and or failure. Avoid excessive side loading to prevent possible instantaneous output shaft failure. Such a failure could result in injury from disconnected parts and or being hit by the Drive attachment causing serious injury or death.

SAFETY DECAL INFORMATION



SAFETY DECALS

This unit comes equipped with all safety decals in place. They are designed to help you safely operate your unit. Read and follow all safety decals.

- Keep all safety decals clean and legible at all times.
- Replace safety decals that are missing or have become illegible.
- Safety decals are available from your distributor or manufacture.
- Some parts installed during repair may require safety decals to be affixed to the replacement part. When ordering the replacement part(s) be sure the correct safety decal(s) are included in your order.



INSTALLING SAFETY DECALS

- Clean the desired area with warm soapy water.
- Decide on exact position before you remove the backing paper.
- Peel backing paper from decal. Press firmly on the surface.
- Air pockets can be pierced with a pin and smoothed.

Typical Decals used on Pengo Anchor / Auger Drive Attachments



350247



350266

Figure 2

PRODUCT SPECIFICATIONS

| AUGER DRIVE MODEL | | |
|-------------------------------|--------------------------|---------------------|
| DT-5 | | |
| TOTAL UNIT WEIGHT | 645 LBS / 292 Kg | |
| HYDRAULIC MOTOR INFORMATION | | |
| Displacement | 2.98 cu/in (97.6cc) | |
| Motor Type | Two Speed Bi-Directional | |
| Motor Output Shaft | 1-1/4" Spline 14T | |
| Motor Mount | SAE - C 4 Bolt | |
| Motor Ports | 1-5/8" - 12 UN-2B | |
| Cross Over Pressure Relief | Set @ 3100 psi | |
| PLANETARY GEARBOX INFORMATION | | |
| Gearbox Type | Planetary Two Stage | |
| Reduction Ratio | 25.36:1 | |
| Output Shaft | 2-1/2" Hex | |
| Oil Capacity | 1.7 Gallons | |
| Oil Type | SAE 80W90 GL-5 | |
| Shaft Pull Out (lbs.) | 22,500 lbs. | |
| REFERENCE TORQUE CHART | | |
| Pressure PSI (Bar) | High Torque (ft/lbs) | Low Torque (ft/lbs) |
| 1600 (110) | 2629 | 1314 |
| 1800 (124) | 2958 | 1478 |
| 2000 (137) | 3287 | 1643 |
| 2200 (151) | 3615 | 1807 |
| 2400 (165) | 3943 | 1971 |
| 2600 (179) | 4272 | 2136 |
| 2800 (193) | 4601 | 2300 |
| 3000 (206) | 4930 | 2465 |
| REFERENCE SPEED CHART | | |
| Flow GPM (Liter) | Low Spd (rpm) | High Spd (rpm) |
| 20 (75) | 25 | 50 |
| 25 (95) | 31 | 63 |
| 30 (113) | 38 | 75 |
| 35 (132) | 44 | 88 |
| 40 (151) | 50 | 100 |

| AUGER DRIVE MODEL | | |
|-------------------------------|--------------------------|---------------------|
| DT-15 | | |
| TOTAL UNIT WEIGHT | 825 LBS / 374 Kg | |
| HYDRAULIC MOTOR INFORMATION | | |
| Displacement | 17.8 cu/in (293cc) | |
| Motor Type | Two Speed Bi-Directional | |
| Motor Output Shaft | 1-1/4" Spline 14T | |
| Motor Mount | SAE - C 4 Bolt | |
| Motor Ports | 1-5/8" - 12 UN-2B | |
| Cross Over Pressure Relief | Set @ 3100 psi | |
| PLANETARY GEARBOX INFORMATION | | |
| Gearbox Type | Planetary Two Stage | |
| Reduction Ratio | 26.52:1 | |
| Output Shaft | 3" Hex | |
| Oil Capacity | 2.4 Gallons | |
| Oil Type | SAE 80W90 GL-5 | |
| Shaft Pull Out (lbs.) | 22,500 lbs. | |
| REFERENCE TORQUE CHART | | |
| Pressure PSI (Bar) | High Torque (ft/lbs) | Low Torque (ft/lbs) |
| 1600 (110) | 8254 | 4127 |
| 1800 (124) | 9287 | 4643 |
| 2000 (137) | 10318 | 5159 |
| 2200 (151) | 11350 | 5674 |
| 2400 (165) | 12382 | 6191 |
| 2600 (179) | 13414 | 6707 |
| 2800 (193) | 14445 | 7223 |
| 3000 (206) | 15478 | 7738 |
| REFERENCE SPEED CHART | | |
| Flow GPM (Liter) | Low Spd (rpm) | High Spd (rpm) |
| 20 (75) | 8 | 16 |
| 30 (113) | 12 | 24 |
| 40 (151) | 16 | 32 |
| 50 (190) | 20 | 40 |

Two speed models must have a minimum of 20GPM.

Output speed and torque specifications are NOT listed at 100% efficiency. Maximum efficiencies have been applied to the torque and speed charts according to the manufacturers recommendations. Speed and torque output are dependent on the overall system efficiencies associated with the prime movers hydraulic system. When the purchaser is determining criteria for specific applications please contact Pengo. Pengo has made every attempt to present accurate and suitable information published on this document. This document should be used for information and comparative purposes only. When application specific information is required, please contact Pengo.

Pengo continually looks for new ways to improve its products. Therefore, Pengo reserves the right to make changes to our products and specifications without notice.

PRODUCT SPECIFICATIONS

| AUGER DRIVE MODEL | | |
|-------------------------------|--------------------------|---------------------|
| RT-9 | | |
| TOTAL UNIT WEIGHT | 645 LBS / 292 Kg | |
| HYDRAULIC MOTOR INFORMATION | | |
| Displacement | 11.9 cu/in (195cc) | |
| Motor Type | Two Speed Bi-Directional | |
| Motor Output Shaft | 1-1/4" Spline 14T | |
| Motor Mount | SAE - C 4 Bolt | |
| Motor Ports | 1-5/8" - 12 UN-2B | |
| Cross Over Pressure Relief | Set @ 3100 psi | |
| PLANETARY GEARBOX INFORMATION | | |
| Gearbox Type | Planetary Two Stage | |
| Reduction Ratio | 25.36:1 | |
| Output Shaft | 2-1/2" Hex | |
| Oil Capacity | 1.7 Gallons | |
| Oil Type | SAE 80W90 GL-5 | |
| Shaft Pull Out (lbs.) | 22,500 lbs. | |
| REFERENCE TORQUE CHART | | |
| Pressure PSI (Bar) | High Torque (ft/lbs) | Low Torque (ft/lbs) |
| 1600 (110) | 5253 | 2626 |
| 1800 (124) | 5910 | 2954 |
| 2000 (137) | 6567 | 3283 |
| 2200 (151) | 7223 | 3611 |
| 2400 (165) | 7880 | 3940 |
| 2600 (179) | 8536 | 4268 |
| 2800 (193) | 9193 | 4596 |
| 3000 (206) | 9850 | 4925 |
| REFERENCE SPEED CHART | | |
| Flow GPM (Liter) | Low Spd (rpm) | High Spd (rpm) |
| 20 (75) | 13 | 25 |
| 30 (113) | 19 | 38 |
| 40 (151) | 25 | 50 |
| 50 (190) | 31 | 63 |

| AUGER DRIVE MODEL | | |
|-------------------------------|--------------------------|---------------------|
| RT-12 | | |
| TOTAL UNIT WEIGHT | 655 LBS / 297 Kg | |
| HYDRAULIC MOTOR INFORMATION | | |
| Displacement | 14.9 cu/in (244cc) | |
| Motor Type | Two Speed Bi-Directional | |
| Motor Output Shaft | 1-1/4" Spline 14T | |
| Motor Mount | SAE - C 4 Bolt | |
| Motor Ports | 1-5/8" - 12 UN-2B | |
| Cross Over Pressure Relief | Set @ 3100 psi | |
| PLANETARY GEARBOX INFORMATION | | |
| Gearbox Type | Planetary Two Stage | |
| Reduction Ratio | 25.36:1 | |
| Output Shaft | 2-1/2" Hex | |
| Oil Capacity | 1.7 Gallons | |
| Oil Type | SAE 80W90 GL-5 | |
| Shaft Pull Out (lbs.) | 22,500 lbs. | |
| REFERENCE TORQUE CHART | | |
| Pressure PSI (Bar) | High Torque (ft/lbs) | Low Torque (ft/lbs) |
| 1600 (110) | 6576 | 3068 |
| 1800 (124) | 7398 | 3451 |
| 2000 (137) | 8220 | 3835 |
| 2200 (151) | 9042 | 4219 |
| 2400 (165) | 9864 | 4603 |
| 2600 (179) | 10686 | 4986 |
| 2800 (193) | 11508 | 5369 |
| 3000 (206) | 12330 | 5753 |
| REFERENCE SPEED CHART | | |
| Flow GPM (Liter) | Low Spd (rpm) | High Spd (rpm) |
| 20 (75) | 10 | 21 |
| 30 (113) | 15 | 31 |
| 40 (151) | 21 | 41 |
| 50 (190) | 26 | 51 |

Two speed models must have a minimum of 20GPM.

Output speed and torque specifications are NOT listed at 100% efficiency. Maximum efficiencies have been applied to the torque and speed charts according to the manufacturers recommendations. Speed and torque output are dependant on the overall system efficiencies associated with the prime movers hydraulic system. When the purchaser is determining criteria for specific applications please contact Pengo. Pengo has made every attempt to present accurate and suitable information published on this document. This document should be used for information and comparative purposed only. When application specific information is required, please contact Pengo.

Pengo continually looks for new ways to improve its products. Therefore, Pengo reserves the right to make changes to our products and specifications without notice.

PRODUCT SPECIFICATIONS

| AUGER DRIVE MODEL | | |
|-------------------------------|--------------------------|---------------------|
| RT-20 | | |
| TOTAL UNIT WEIGHT | 855 LBS / 387 Kg | |
| HYDRAULIC MOTOR INFORMATION | | |
| Displacement | 11.9 cu/in (195cc) | |
| Motor Type | Two Speed Bi-Directional | |
| Motor Output Shaft | 1-1/4" Spline 14T | |
| Motor Mount | SAE - C 4 Bolt | |
| Motor Ports | 1-5/8" - 12 UN-2B | |
| Cross Over Pressure Relief | Set @ 3100 psi | |
| PLANETARY GEARBOX INFORMATION | | |
| Gearbox Type | Planetary Three Stage | |
| Reduction Ratio | 60.56:1 | |
| Output Shaft | 3" Hex | |
| Oil Capacity | 2.6 Gallons | |
| Oil Type | SAE 80W90 GL-5 | |
| Shaft Pull Out (lbs.) | 45,000 lbs. | |
| REFERENCE TORQUE CHART | | |
| Pressure PSI (Bar) | High Torque (ft/lbs) | Low Torque (ft/lbs) |
| 1600 (110) | 12086 | 6043 |
| 1800 (124) | 13597 | 6798 |
| 2000 (137) | 15108 | 7554 |
| 2200 (151) | 16618 | 8309 |
| 2400 (165) | 18129 | 9064 |
| 2600 (179) | 19640 | 9820 |
| 2800 (193) | 21151 | 10575 |
| 3000 (206) | 22662 | 11331 |
| REFERENCE SPEED CHART | | |
| Flow GPM (Liter) | Low Spd (rpm) | High Spd (rpm) |
| 20 (75) | 5 | 10 |
| 30 (113) | 8 | 15 |
| 40 (151) | 10 | 20 |
| 50 (190) | 13 | 25 |

| AUGER DRIVE MODEL | | |
|-------------------------------|--------------------------|---------------------|
| RT-30 | | |
| TOTAL UNIT WEIGHT | 1220 LBS / 553 Kg | |
| HYDRAULIC MOTOR INFORMATION | | |
| Displacement | 13.9 cu/in (227cc) | |
| Motor Type | Two Speed Bi-Directional | |
| Motor Output Shaft | 1-1/4" Spline 14T | |
| Motor Mount | SAE - C 4 Bolt | |
| Motor Ports | 1-5/8" - 12 UN-2B | |
| Cross Over Pressure Relief | Set @ 3100 psi | |
| PLANETARY GEARBOX INFORMATION | | |
| Gearbox Type | Planetary Three Stage | |
| Reduction Ratio | 69.7:1 | |
| Output Shaft | 4" Square | |
| Oil Capacity | 3.1 Gallons | |
| Oil Type | SAE 80W90 GL-5 | |
| Shaft Pull Out (lbs.) | 60,000 lbs. | |
| REFERENCE TORQUE CHART | | |
| Pressure PSI (Bar) | High Torque (ft/lbs) | Low Torque (ft/lbs) |
| 1600 (110) | 16250 | 8125 |
| 1800 (124) | 18281 | 9140 |
| 2000 (137) | 20312 | 10156 |
| 2200 (151) | 22344 | 11171 |
| 2400 (165) | 24375 | 12187 |
| 2600 (179) | 26407 | 13203 |
| 2800 (193) | 28438 | 14218 |
| 3000 (206) | 30470 | 15234 |
| REFERENCE SPEED CHART | | |
| Flow GPM (Liter) | Low Spd (rpm) | High Spd (rpm) |
| 20 (75) | 4 | 8 |
| 30 (113) | 6 | 11 |
| 40 (151) | 8 | 15 |
| 50 (190) | 9 | 19 |

Two speed models must have a minimum of 20GPM.

Output speed and torque specifications are NOT listed at 100% efficiency. Maximum efficiencies have been applied to the torque and speed charts according to the manufacturers recommendations. Speed and torque output are dependent on the overall system efficiencies associated with the prime movers hydraulic system. When the purchaser is determining criteria for specific applications please contact Pengo. Pengo has made every attempt to present accurate and suitable information published on this document. This document should be used for information and comparative purposes only. When application specific information is required, please contact Pengo.

Pengo continually looks for new ways to improve its products. Therefore, Pengo reserves the right to make changes to our products and specifications without notice.

PRODUCT SPECIFICATIONS

Discontinued Model as of June 2013

New RT-40 Model Specifications

| AUGER DRIVE MODEL | | |
|-------------------------------|--------------------------|---------------------|
| RT-40 | | |
| TOTAL UNIT WEIGHT | 1440 LBS / 653 Kg | |
| HYDRAULIC MOTOR INFORMATION | | |
| Displacement | 13.9 cu/in (227cc) | |
| Motor Type | Two Speed Bi-Directional | |
| Motor Output Shaft | 1-1/4" Spline 14T | |
| Motor Mount | SAE - C 4 Bolt | |
| Motor Ports | 1-5/8" - 12 UN-2B | |
| Cross Over Pressure Relief | Set @ 3100 psi | |
| PLANETARY GEARBOX INFORMATION | | |
| Gearbox Type | Planetary Three Stage | |
| Reduction Ratio | 90.39:1 | |
| Output Shaft | 130mm Square | |
| Oil Capacity | 3.7 Gallons | |
| Oil Type | SAE 80W90 GL-5 | |
| Shaft Pull Out (lbs.) | 60,000 lbs. | |
| REFERENCE TORQUE CHART | | |
| Pressure PSI (Bar) | High Torque (ft/lbs) | Low Torque (ft/lbs) |
| 1600 (110) | 21074 | 10537 |
| 1800 (124) | 23708 | 11854 |
| 2000 (137) | 26343 | 13171 |
| 2200 (151) | 28976 | 14488 |
| 2400 (165) | 31611 | 15806 |
| 2600 (179) | 34245 | 17122 |
| 2800 (193) | 36880 | 18439 |
| 3000 (206) | 39514 | 19757 |
| REFERENCE SPEED CHART | | |
| Flow GPM (Liter) | Low Spd (rpm) | High Spd (rpm) |
| 20 (75) | 3 | 6 |
| 30 (113) | 4 | 9 |
| 40 (151) | 6 | 12 |
| 50 (190) | 7 | 15 |

| AUGER DRIVE MODEL | | |
|-------------------------------|--------------------------|---------------------|
| RT-40 | | |
| TOTAL UNIT WEIGHT | 1440 LBS / 653 Kg | |
| HYDRAULIC MOTOR INFORMATION | | |
| Displacement | 15.8 cu/in (260cc) | |
| Motor Type | Two Speed Bi-Directional | |
| Motor Output Shaft | 1-1/4" Spline 14T | |
| Motor Mount | SAE - C 4 Bolt | |
| Motor Ports | 1-5/8" - 12 UN-2B | |
| Cross Over Pressure Relief | Set @ 3100 psi | |
| PLANETARY GEARBOX INFORMATION | | |
| Gearbox Type | Planetary Three Stage | |
| Reduction Ratio | 83.78:1 | |
| Output Shaft | 130mm Square | |
| Oil Capacity | 3.7 Gallons | |
| Oil Type | SAE 80W90 GL-5 | |
| Shaft Pull Out (lbs.) | 60,000 lbs. | |
| REFERENCE TORQUE CHART | | |
| Pressure PSI (Bar) | High Torque (ft/lbs) | Low Torque (ft/lbs) |
| 1600 (110) | 22328 | 9766 |
| 1800 (124) | 25119 | 10987 |
| 2000 (137) | 27910 | 12208 |
| 2200 (151) | 30701 | 13428 |
| 2400 (165) | 33492 | 14650 |
| 2600 (179) | 36283 | 15870 |
| 2800 (193) | 39074 | 17091 |
| 3000 (206) | 41865 | 18312 |
| REFERENCE SPEED CHART | | |
| Flow GPM (Liter) | Low Spd (rpm) | High Spd (rpm) |
| 20 (75) | 3 | 6 |
| 30 (113) | 4 | 9 |
| 40 (151) | 5 | 13 |
| 50 (190) | 7 | 16 |

Two speed models must have a minimum of 20GPM.

Output speed and torque specifications are NOT listed at 100% efficiency. Maximum efficiencies have been applied to the torque and speed charts according to the manufacturers recommendations. Speed and torque output are dependent on the overall system efficiencies associated with the prime movers hydraulic system. When the purchaser is determining criteria for specific applications please contact Pengo. Pengo has made every attempt to present accurate and suitable information published on this document. This document should be used for information and comparative purposed only. When application specific information is required, please contact Pengo.

Pengo continually looks for new ways to improve its products. Therefore, Pengo reserves the right to make changes to our products and specifications without notice.

TYPICAL ATTACHMENT CONNECTIONS

⚠ IMPORTANT: Before connecting the attachment to prime mover, inspect all mounting surfaces, attachment plates, and quick couplers are free of dirt and debris. Ensure all attaching pins, fasteners and latches are properly secured. Ensure that the mounting frame / attachment mounting plate is rigidly secured to the prime mover. Improper installation can result in product damage, personal injury and death.

1 EXCAVATOR / BACKHOE MOUNT END OF BOOM (Figure 3)

Mounting Bracket connects directly to the boom with the customer supplier connection pin. The Drive Unit connects to the Mounting Bracket with the supplied connection pin.

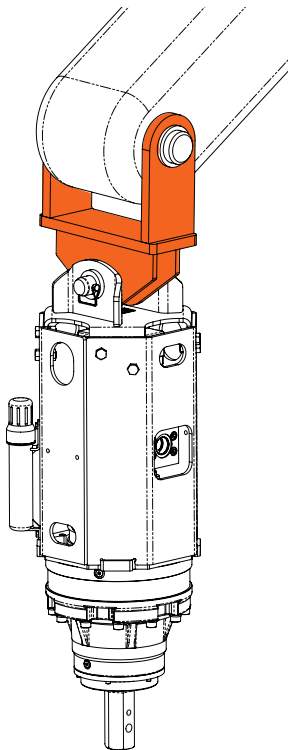


Figure 3

2 EXCAVATOR / BACKHOE MOUNT QUICK COUPLER (Figure 4)

Mounting Bracket connects to the quick coupler when the jaws of the quick coupler engage the pins on the Mounting Bracket. The Link Arm connects to both the Mounting Bracket and the Drive Unit with the supplied connection pins.

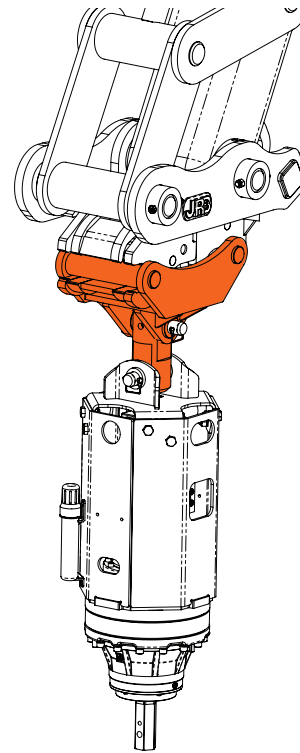


Figure 4

3 SKID LOADER MOUNT ATTACHMENT PLATE (Figure 5)

Attachment Plate connects to the mounting plate on the front of the Skid Loader. The Link Arm connects to both the Attachment Plate and the Drive Unit with the supplier connection pins.

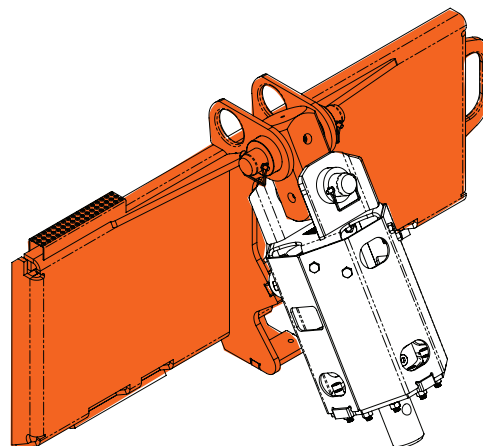


Figure 5

These three illustrations represent the three most common attachment connections. *Note the hydraulic hoses are not shown in these illustrations.*

SET-UP INSTRUCTIONS

READ AND UNDERSTAND ALL SAFETY INFORMATION PRIOR TO MOUNTING YOUR DRIVE UNIT TO THE PRIME MOVER. SEE PAGES 7 & 13.

MOUNTING AND INSTALLATION

There are several ways to mount your Drive Unit depending on the prime mover and application.

A) Skid Steer Mounting (Quick Attach)

1. Remove the skid steer bucket or any other attachment from the skid steer quick attach mechanism.

2. Attach the quick attach mounting bracket to the skid steer

B) Backhoe and Excavator Mounting

1. Remove the bucket from the dipper arm and curl cylinder pin connections.

AUGER / ANCHOR CONNECTION

1. Align the auger bit or anchor with the output shaft of the Drive Unit.

2. Slide the connecting coupler (hub) over the output shaft and align the coupler hole with the output shaft hole.

3. Connect the auger bit or anchor to the Drive Unit output shaft and secure it with appropriate connecting hardware.

WARNING *When selecting connecting hardware ensure that the bolt or pin does not protrude from the coupler (hub) any more than necessary to secure.*



Hardware that protrudes an excessive amount can be a safety hazard and cause entanglement.

HYDRAULIC SYSTEM HOOK-UP

Your Pengo Planetary Drive Unit receives its hydraulic oil flow and pressure from the prime mover through the auxiliary hydraulic circuit via two quick release couplers near the end of the truck boom or excavator arm. Follow the steps below to complete the hydraulic hook-up between your prime mover and Drive Unit.

HYDRAULIC SYSTEM HOOK-UP

1. Locate the auxiliary hydraulic connection ports on the prime mover.

2. Determine the length of hydraulic hose necessary to connect the auxiliary hydraulic circuit to the Drive Unit. Be sure to allow sufficient “slack” in the hose length to allow the Drive Unit to perform its full range of operation.

3. Ensure that the hydraulic hose couplers are compatible with the hydraulic quick couplers on the Drive Unit.

WARNING *If a hydraulic leak develops, correct it immediately. Escaping hydraulic fluid can have extremely high pressure. A stream of high pressure fluid may penetrate the skin. It is imperative that the connections are tight and that all hoses are in good working condition.*



4. Once all of the hydraulic connections have been made and checked for leaks, the Drive Unit is ready for operation.

CAUTION *Hydraulic hoses and fittings used on the prime mover and Drive Unit must have a continuous operating pressure rating of at least 25% higher than the maximum pressure of the hydraulic system being used. Refer to the Drive Unit specification chart for allowable maximum pressure.*



OPERATING PROCEDURES

Before operating, always ensure that the Drive Unit and auger or anchor are connected correctly to the prime mover.

DRILLING / ANCHORING OPERATION

1. To begin drilling/installation, position the auger or anchor on the ground in the desired location. Engage the parent machine's auxiliary hydraulics to rotate the auger or anchor in a clockwise direction.

2. Lower the parent machine's arm(s) to engage the auger or anchor into the ground. Use only enough down pressure to assure positive penetration. Ease up on the down pressure if the auger or anchor rotation slows down drastically or stalls. Excessive down pressure will cause the Drive Unit to stall frequently.

Note: *Do not continually stall the Drive Unit! Continued stalling may cause excessive heating of the hydraulic system and possible damage to the Drive Unit.*

3. As the auger or anchor digs in the ground, the prime mover's arm(s) or boom may travel through an arc. This means the operator may need to continually reposition the auger or anchor to ensure vertical application of the auger or anchor.

Continues on page 15.

OPERATING PROCEDURES CONT.

DRILLING OPERATION ONLY

After steps 1-3 above have been completed continue with the following steps for drilling applications.

4. When the auger has penetrated the ground about 24" (610mm), raise the auger from the hole to clean out the loose material.

5. Once the required hole depth is reached, allow the auger to turn a few seconds at this depth to clean the hole.

6. Stop rotation of the auger and raise the auger out of the hole. Swing the auger away from the newly drilled hole. Spin the loose material off the auger.

Note: Do not reverse the auger rotation while the auger is still in the hole. The loose material will back fill the hole.

If necessary, repeat steps 4 through 6 to obtain a cleaner hole.

OPERATIONS TO AVOID

1. In some soil conditions or when excessive down pressure is applied, the auger may "screw" itself into the ground. This can cause the auger to become stuck causing the Drive Unit to stall. If this situation occurs, reverse the auger rotation and slowly raise the auger from the hole.

2. If the auger becomes lodged under rocks, tree roots, or other large obstructions, do not attempt to raise the auger out of the ground. See Step 1 of this section to relieve the auger.

3. Avoid excessive side loading. This can cause damage to both the Drive Unit and the auger bit.

4. Keep all auger teeth and pilot bits in good condition. Avoid using damaged teeth and holders.

MAINTENANCE INSTRUCTIONS

Before operating the Drive Unit ensure it is properly lubricated and inspected for any worn or damaged areas. Only a minimum amount of time and effort is required to regularly lubricate and maintain the Drive Unit. Preventive maintains will help ensure long life and trouble free operation.

LUBRICATION MAINTENANCE

The Drive Unit must be properly lubricated to achieve the most efficient operation. Clean excess grease, gear oil, and hydraulic fluid for the Drive Unit. This is especially important in sandy conditions.

HYDRAULIC OIL MAINTENANCE

CLEAN HYDRAULIC OIL IS ESSENTIAL!

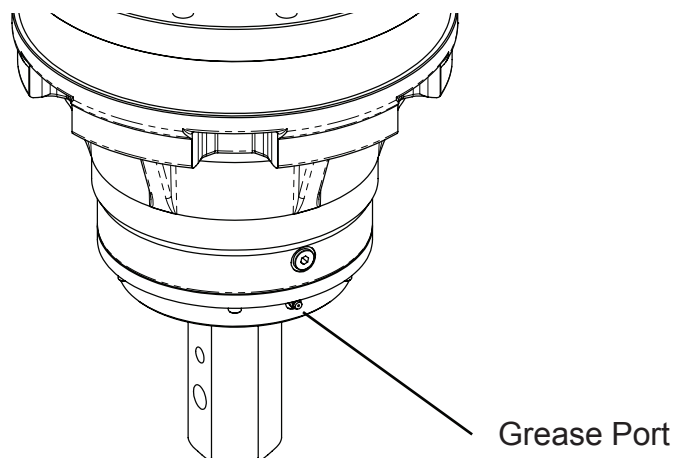
80% of all hydraulic component failures are caused by contamination of the hydraulic oil. Always keep all dirt and other contaminants from entering the hydraulic system during disconnect and connect operations. Always use dust caps and plugs on all quick disconnects when not in use. Tightly cap all hydraulic openings to hold oil in and keep dirt and other contaminants from entering hydraulic systems.

HYDRAULIC HOSE MAINTENANCE

Inspect all hydraulic hoses daily for cracked and brittle covers caused by excessive heat. Reduced viscosity of hydraulic oil occurs at higher operating temperatures and causes a breakdown of fluid additives, such as wear inhibitors. Excessive heat will cause higher internal leakage in the Drive Unit motor, which will make the Drive Unit less efficient. It can also cause seals in the drive unit motor to become brittle and crack. Replacement of hoses before failure will prevent loss of hydraulic oil and down time.

OUTPUT SHAFT LUBRICATION MAINTENANCE

Ensure that the output shaft is properly greased on a regular basis. The grease port for the output shaft is located near the shaft. See Grease Port location figure below.



MAINTENANCE INSTRUCTIONS

GEARBOX MAINTENANCE

The planetary gearbox is filled with gear oil lubricant. If oil is observed leaking, the seal should be inspected for damage or wear and replaced if necessary. Inspect the gearbox for any other possible damage that could be causing the leakage.

Change planetary gear oil after the first 50 hours of operation. Change the gear oil every 1000 hours or 12 months whichever occurs first. **CHECK OIL LEVEL DAILY** to assure proper lubrication is maintained. See the CHECKING AND CHANGING GEAR OIL section for gear oil grade.

HARDWARE MAINTENANCE

Check Drive Unit and all accessories daily for loose, bent, cracked, or worn bolts and fasteners. Always use Grade 5 or harder replacements bolts. Always use lock washers with standard hex nuts or self locking nuts.

Check all connecting pins daily for bends, cracks, breaks, or wear. Replace if any of these conditions exist.

OUTPUT SHAFT MAINTENANCE

Check the Drive Unit output shaft daily for cracks or excessive wear near or around the connection hole. The output shaft should be replaced if any of these conditions exist.

Where replacement parts are necessary for periodic maintenance and servicing, genuine factory replacement parts must be used to restore your unit to original specifications. Manufacturer will not claim responsibility for use of unapproved parts or accessories and other damages as a result of their use.

If equipment has been altered in any way from its original design, manufacturer does not accept any liability for injury or warranty.

STORAGE INSTRUCTIONS

When the Drive Unit will not be used for an extended period of time, it should be thoroughly checked and prepared for storage so that a minimum amount of work will be required to put the Drive Unit back into operation. The following are suggestions for storage:

1. Thoroughly clean the Drive Unit.
2. Ensure the hydraulic motor and the hoses are full of clean oil. Be sure the planetary gearbox is full (to the recommended capacity for each model).
3. Tighten all bolts and pins to the recommended torque values.

4. Protect the output shaft with grease or a rust inhibitor.
5. Check the Drive Unit for worn or damaged parts.
6. Store the Drive Unit away from active areas and in a clean dry location.
7. Paint all scratched or bare metal surfaces.

CHECKING / CHANGING GEAR OIL

The Planetary gearbox used on your Drive Unit uses a gear oil to keep the internal gears lubricated. To check and or replace the oil, follow the steps below.

CHECKING THE GEAR OIL:

1. Make sure the Drive Unit is in an upright position when checking the oil.
2. Slowly loosen the Oil Fill-Drain plug. As you reach the end of the treads on the plug, oil should start to ooze out.
3. If you see oil starting to ooze out of the port, quickly retighten the plug. This is an indication that the oil level is adequate, but in order to correctly measure the amount of oil the gearbox should be drained and the correct amount of oil replenished.

CHANGING THE GEAR OIL:

1. Position the Auger Drive unit in a position in which the oil can flow freely from the gearbox once the plug is removed.
 2. Place a drain pan under the drain port that will hold at least one gallon.
 3. Remove the drain plug and allow the oil to completely drain out.
 4. Position the gearbox for filling by orientating the unit so that the same port used for draining is now used to fill.
 5. Fill the gearbox with the required amount of gear oil.
- For the correct capacity of gear oil refer to the model specification page.** The gear oil specifications is listed below:

Lubrication Recommendations:

SAE 80W90 GL-5 Oil

| | |
|------------------------|-------|
| Density / 15 deg C: | 0.895 |
| Viscosity Index: | 97 |
| Viscosity @ 40 deg C: | 138 |
| Flash Point COC: | 200 |
| Viscosity @ 100 deg C: | 13.9 |
| Pour Point (deg C): | -30 |

TROUBLESHOOTING

In the event your Pengo Drive Unit malfunctions or does not appear to have enough speed or power, please refer to the section below to identify the cause of the problem and possible remedy. If the problem persists, contact your Authorized Service Dealer for assistance.

SLOW SPEED (RPM) OR INSUFFICIENT DIGGING POWER:

- Low oil flow / Obstructed oil flow. *Check prime mover pump. Check for faulty pressure relief valve.*
- Auger Drive is too large for machine. *Review Drive Unit specs. Contact your Authorized Service Dealer.*
- Check auger and teeth for excessive wear. *Replace worn auger components.*

NO OUTPUT ROTATION:

- Quick release couplers not engaged. *Check coupler connection.*
- Quick release coupler faulty. *Replace faulty coupler(s).*
- Hydraulic oil tank is low. *Fill oil tank to maximum level.*
- Planetary gear failure. *Contact your Authorized Service Dealer.*
- Machine oil pump failure. *Refer to prime mover manual.*
- Insufficient oil flow. *All two speed models require a min of 20 GPM to operate.*

BAIL HOUSING LEAKING OIL:

- Hose(s) of Fitting(s) leaking. *Tighten or replace.*
- Motor O-ring failure. *Replace damaged O-ring.*

OUTPUT SHAFT LEAKING OIL:

- Output shaft seal damaged. *Replace seal.*
- Seal not sealing in the housing. *Replace seal or use a sealant on OD of seal.*
- Bolts are loose. *Tighten Bolts.*

AUGER / ANCHOR BIT WILL NOT ENGAGE OR DIG:

- Auger bit is worn or damaged. *Replace cutting head or entire auger bit.*
- Drive Unit speed is too fast. *Reduce speed (rpm) to allow bit to engage ground.*
- Anchor not installing vertically. *Level Drive unit. Allow Drive unit to hang freely.*

NO TORQUE:

- Oil pressure is too low. *Review Drive unit pressure requirements.*
- Drive unit too small for parent machine. *Review Drive Unit specs. Contact your Authorized Service Dealer.*
- Hydraulic system is overheating. *See the "Oil Overheating" section below.*

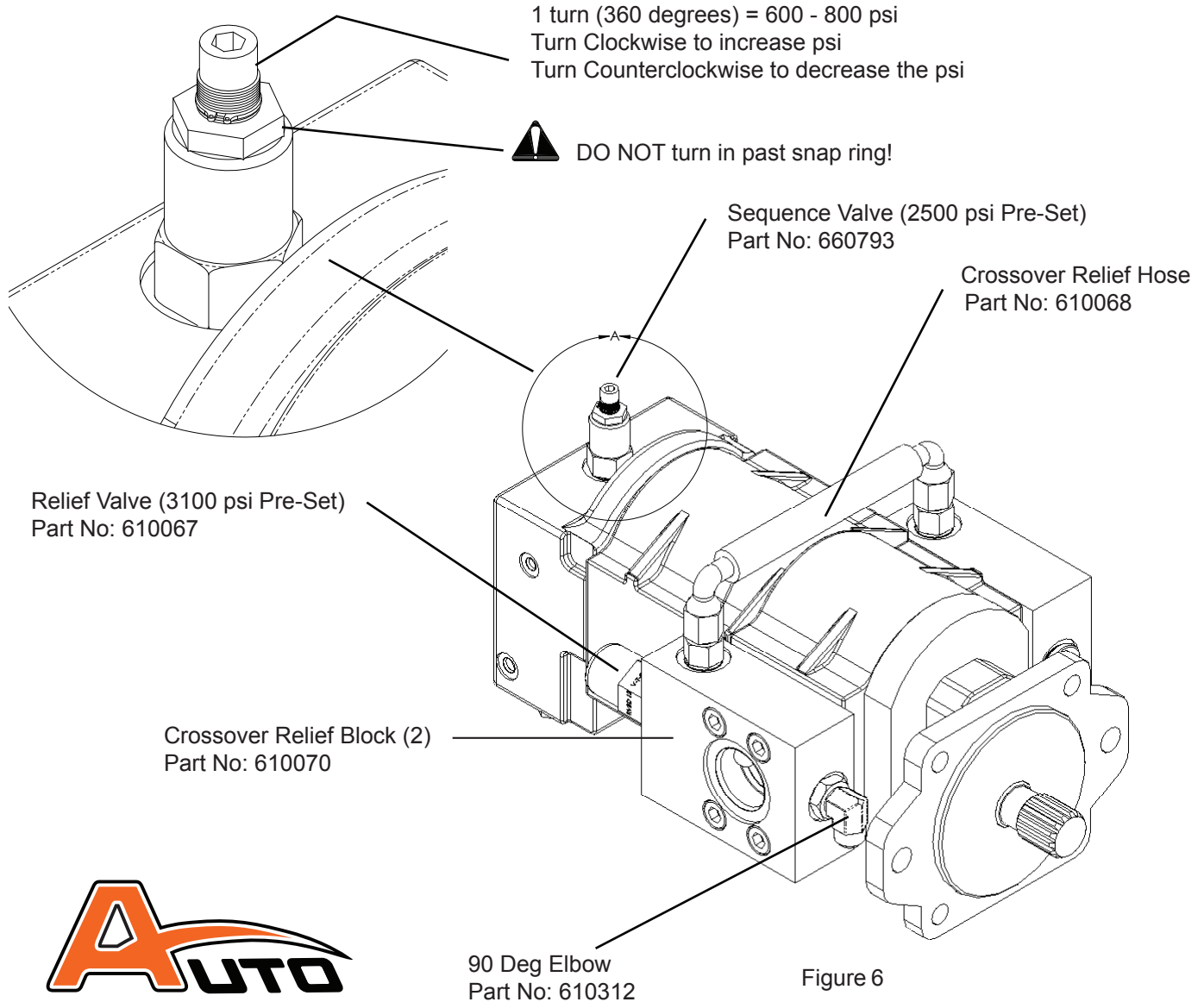
HYDRAULIC OIL OVERHEATING:

- Oil pressure is too low. *Set relief valve to machine specifications.*
- Hydraulic line is restricted. *Inspect and repair.*
- Auger continually stalling. *Limit down pressure used.*
- Hydraulic oil tank is low. *Fill oil tank to maximum level.*
- Oil passing over relief valve. *Check for a faulty relief valve.*
- Prime Mover is too small. *Attach Drive Unit to larger prime mover.*
- Dirty or contaminated oil. *Replace prime mover hydraulic oil and oil filters.*

DRIVE WILL NOT SHIFT:

- Drive will not shift during operation. *Sequence valve is not working properly. Check for plugging or damage. Ensure PSI setting on prime mover is set higher than seq valve setting. Lower PSI setting on sequence valve.*

TWO SPEED HYDRAULIC MOTOR INFORMATION



AUTO SHIFT PRINCIPAL

On the "Auto Shift" models the motor is equipped with an automatic kick down sequence valve, adjustable between the range of 400 and 3000 PSI respectively. The Unit will start in high speed low torque mode until the preset pressure is reached upon where it will automatically shift into low speed high torque mode. The unit will shift automatically back to high speed mode when input flow is stopped. All Pengo Drives equipped with a Geartek two speed hydraulic motor **DO NOT** require a return "drain" line.

CROSS-OVER PRESSURE RELIEF SYSTEM

Note all two speed motors are equipped with a cross-over pressure relief system. This system is designed to protect the hydraulic motor from pressure spikes and potential overload conditions associated with hydraulically powered equipment. The cross-over relief setting is factory set at 3100 psi and is not adjustable.

TWO SPEED HYDRAULIC MOTOR INFORMATION

SMDH MOTOR SEAL REPLACEMENT PROCEDURE

1. With the mounting flange removed from the unit, lay the flange on a clean surface with the pilot face down. Using a 1/4" punch or flat head screwdriver with a bent tip, insert this tool through the drive bearing and past the inner seal to the outer metal edge of the outer seal case. Tap around the seal repeatedly to push the seal out of the bore. Do not score or scratch the seal bore or the bearing.

2. Turn the flange over and remove the snap ring with snap ring pliers.

3. The old steel back up washer and high pressure seal should be removed by hand (little or no force required).

4. Clean the seal bore and drive bearing thoroughly with solvent and inspect for scratches, nicks, or burrs. Scratches on the seal bore will lead to leaks around the outer edge of the seal. Scratches or burrs on the bearing will lead to bearing failure.

5. Refer to figure 6A for inner high pressure seal. The "spring side" of the seal will face toward the bearing.

6. Coat the OD of the 625256 seal with Loctite 609. Using a socket with an OD slightly smaller than the seal bore ID (1.996 in. min) press the seal into the bore with the lip with garter spring facing towards the bearing with a hydraulic or arbor press. The seal must be kept square with the bore while pushing (pusher must not be cocked). The seal should bottom out against the snap ring.

7. Install new 626698 rubber plug into 3/16" "weep hole" on side of flange if old one is missing.

8. Remove old 66-156-19359 O-Ring from flange and install new O-Ring into groove. Using grease on the O-Ring helps keep it seated during flange reassembly.

9. Use a generous amount of grease on spline drive shaft to avoid cutting seals and replace flange onto unit.

10. Replace washers and nuts and torque in a criss-cross pattern to 80-90 ft-lbs.



NOTE: The general work area and all parts must be clean and free of dust and dirt that could contaminate the seal areas on the seal lips or shaft.

MATERIALS REQUIRED FOR SEAL REPLACEMENT:

- 1/4" punch or flat head screwdriver with tip bent
- Socket which OD is slightly smaller than flange seal bore (seal bore ID is 1.996 in. min.)
- Snap ring pliers
- Mineral spirits or equivalent cleaning solvent
- Loctite® 609 or equivalent
- Heavy grease
- Seal Kit part number 661003

661003 - SEAL KIT CONTAINS:

| ITEM | PART No. | QTY | DESCRIPTION |
|------|-------------------|-----|---------------------------|
| 1 | 55-906-02-8309 | 2 | O-RING |
| 2 | 55-906-04-8309 | 1 | O-RING |
| 3 | 625133 | 8 | BACK-UP RING |
| 4 | 625256 | 1 | SEAL 1-1/4" VITON - GREEN |
| 5 | 626698 | 1 | PLUG NEOPRENE - WEEP |
| 6 | 633199 | 8 | SEAL STRIP |
| 7 | 66-028-19359 | 8 | O-RING VITON |
| 8 | 66-156-19359 | 1 | O-RING VITON - FLANGE |
| 9 | 66-158-19359 | 3 | O-RING VITON |
| 10 | 66-159-19359 | 1 | O-RING VITON |
| 11 | 66-906-06-N552-90 | 9 | O-RING BOSS |
| 12 | 66-906-20-8309 | 2 | O-RING BOSS |
| 13 | 66-906-3-8309 | 2 | O-RING BOSS |
| 14 | 69-5000-200 | 1 | SNAP RING |
| 15 | 721777 | 1 | WASHER B/U 1-1/4" ID |
| 16 | 721801 | 1 | SEAL 1-1/4" MD HIGH PSI |
| 17 | 722978 | 1 | VENT PLUG |
| 18 | 73-187-03752 | 1 | SPRING PIN 3/16"D X 3/8"L |

MOTOR REPLACEMENT SEAL / O-RING PARTS

Replacement seals and o-rings are sold in one kit as listed above. The kit is intended to provide quick and complete replacement. Please note seal kit will not be broken apart to supply an individual item within the kit, the entire kit must be purchased.

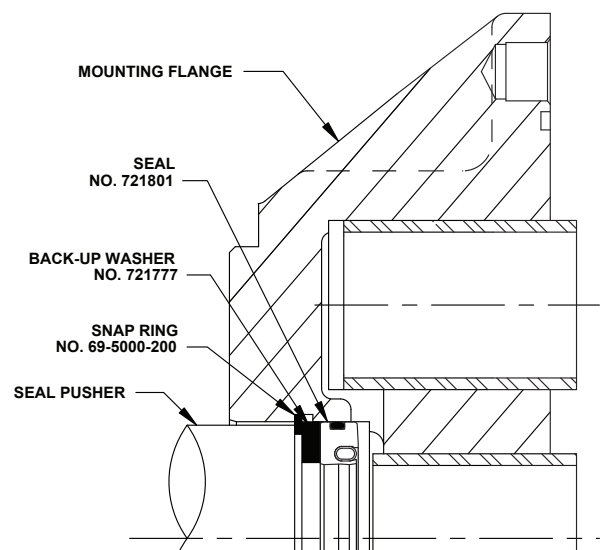


Figure 6A

DT-5 (610173) PARTS BREAKDOWN

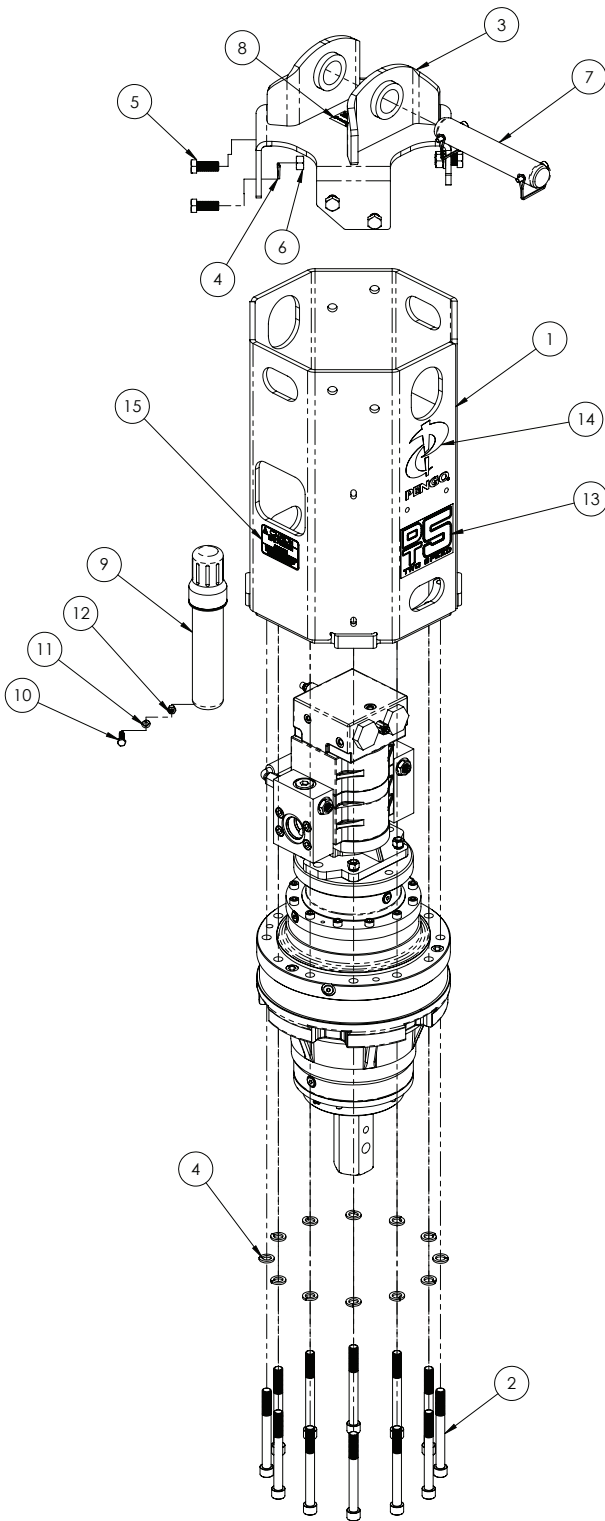


Figure 7

| ITEM | PART No. | QTY | DESCRIPTION |
|------|----------|-----|------------------------------|
| 1 | 610119 | 1 | BAIL PAINTED OCT BOTTOM DT-5 |
| 2 | 610151 | 1 | SCREW HEX SOC HD M16 X 160 |
| 3 | 610121 | 1 | BAIL PAINTED OCT TOP DT-5 |
| 4 | 700760 | 20 | WASHER LOCK M16 |
| 5 | 610152 | 8 | SCREW HEX M16 X 40 |
| 6 | 610035 | 8 | NUT HEX M16 X 2 |
| 7 | 660558 | 1 | PIN ASSEMBLY 45mm |
| 8 | 610169 | 1 | SERIAL TAG |
| 9 | 610000 | 1 | MANUAL HOLDER |
| 10 | 700527 | 2 | SCREW HEX M8 X 30 |
| 11 | 700525 | 2 | WASHER LOCK 8mm |
| 12 | 700529 | 2 | NUT HEX M8 X 1.25 |
| 13 | 650282 | 1 | DECAL MODEL DT-5 |
| 14 | 350287 | 1 | DECAL PENGU SMALL |
| 15 | 135501 | 2 | DECAL CAUTION 3000 PSI |
| 16* | 350279 | 1 | DECAL AUTO SHIFT |
| 17* | 350247 | 1 | DECAL DANGER AUGER DRIVE |
| 18 | 610004 | 1 | GEARBOX RE 1522 25.36:1 |
| 19 | 137363 | 4 | STUD THREADED M12 X 50 |
| 20 | 660739 | 1 | GASKET SAE-C |
| 21 | 610180 | 1 | MOTOR HYD SMDH1515 XPR |
| 22 | 700535 | 4 | WASHER LOCK 12mm |
| 23 | 174508 | 4 | NUT HEX M12 |

* Indicates item not shown

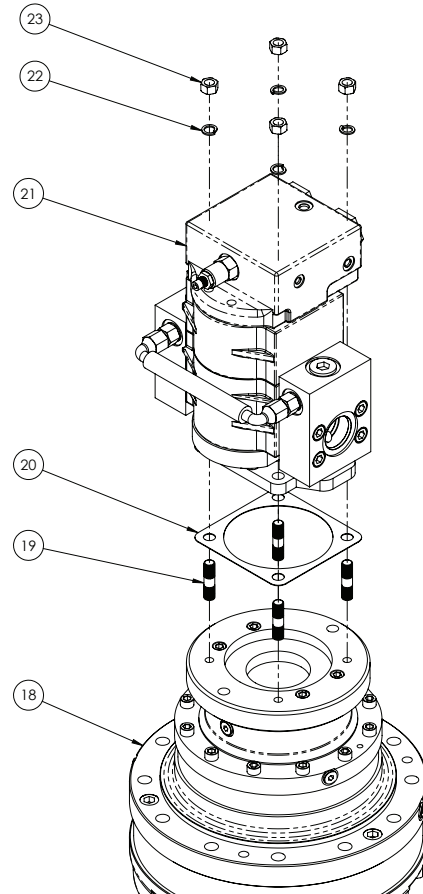


Figure 8

DT-5 GEARBOX (610004) PARTS LIST

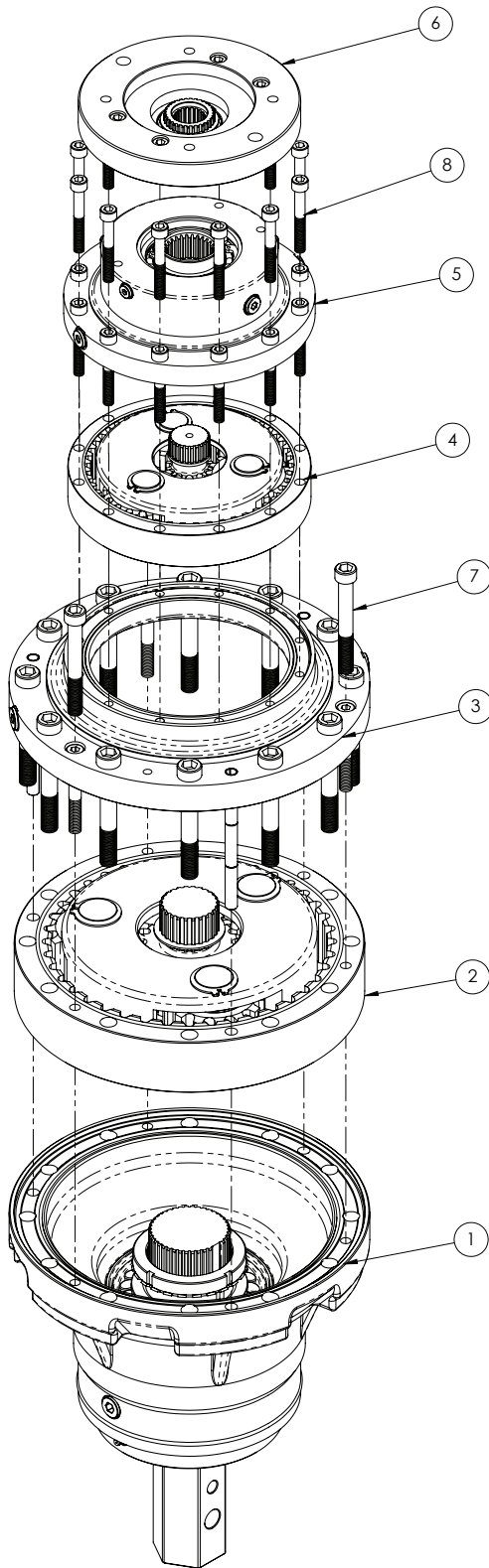


Figure 9

| ITEM | PART No. | QTY | DESCRIPTION |
|------|----------|-----|-----------------------------|
| 1 | 610166 | 1 | SUPPORT RE1520 HEI2 |
| 2 | 610167 | 1 | GEARSET RE1520 4.09 |
| 3 | 610168 | 1 | INTERMEDIATE FLANGE RE1520 |
| 4 | 610269 | 1 | GEARSET RE1520 6.20 |
| 5 | 610160 | 1 | INPUT SUPPORT RE310 / RE510 |
| 6 | 610253 | 1 | MOTOR INPUT |
| 7 | | 3 | SCREW M14 X 110 |
| 8 | | 12 | SCREW M10 |
| * | 610273 | 1 | SEAL KIT |

GEARBOX REPLACEMENT PARTS

Replacement parts for the gearbox are sold in modules as indicated by the exploded view drawing. These modules are intended to provide quick and complete replacement. Each module will include all the parts necessary to complete the section, this include seals and o-rings. The seal kit which includes all seals and o-rings can be purchased separately.

Please note modules will not be broken apart to supply an individual item within the module, the entire module must be purchased.

WARRANTY NOTICE:

Any attempt to disassemble or make field repairs to the planetary gearbox will VOID the warranty. Please contact your dealer or distributor for further information.

Please order replacement parts by PART NO. and DESCRIPTION.

DT-15 (610174) PARTS BREAKDOWN

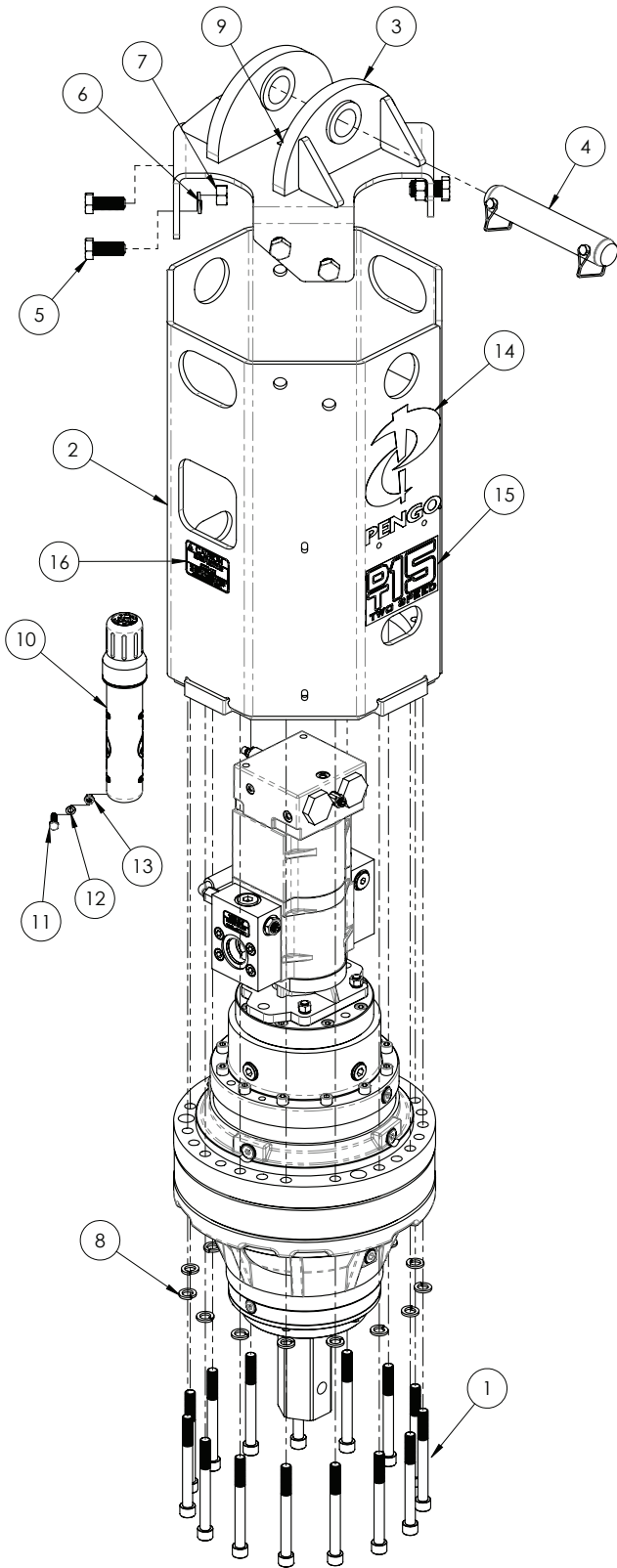


Figure 10

| ITEM | PART No. | QTY | DESCRIPTION |
|------|----------|-----|-------------------------------|
| 1 | 610126 | 1 | BAIL PAINTED OCT BOTTOM DT-15 |
| 2 | 610151 | 15 | SCREW HEX SOC HD M16 X 160 |
| 3 | 610439 | 1 | BAIL PAINTED OCT TOP DT-15 |
| 4 | 660558 | 1 | PIN ASSEMBLY 45mm |
| 5 | 610153 | 8 | SCREW HEX M20 X 50 |
| 6 | 610095 | 8 | WASHER LOCK 20mm |
| 7 | 610154 | 8 | NUT HEX M20 X 2.5 |
| 8 | 700760 | 15 | WASHER LOCK 16mm |
| 9 | 610169 | 1 | SERIAL TAG |
| 10 | 610000 | 1 | MANUAL HOLDER |
| 11 | 700527 | 2 | SCREW HEX M8 X 30 |
| 12 | 700525 | 2 | WASHER LOCK 8mm |
| 13 | 700529 | 2 | NUT HEX M8 X 1.25 |
| 14 | 350288 | 1 | DECAL PENG0 MEDIUM |
| 15 | 350283 | 1 | DECAL MODEL DT-15 |
| 16 | 135501 | 2 | DECAL CAUTION 3000 PSI |
| 17* | 350279 | 1 | DECAL AUTO SHIFT |
| 18* | 350247 | 1 | DECAL DANGER AUGER DRIVE |
| 19 | 610005 | 1 | GEARBOX RE2522 26.52:1 |
| 20 | 137363 | 4 | STUD THREADED M12 X 50 |
| 21 | 660739 | 1 | GASKET SAE-C |
| 22 | 610181 | 1 | MOTOR HYD SMDH 4545 XPR |
| 23 | 700535 | 4 | WASHER LOCK 12mm |
| 24 | 174508 | 4 | NUT HEX M12 |

* Indicates item not shown

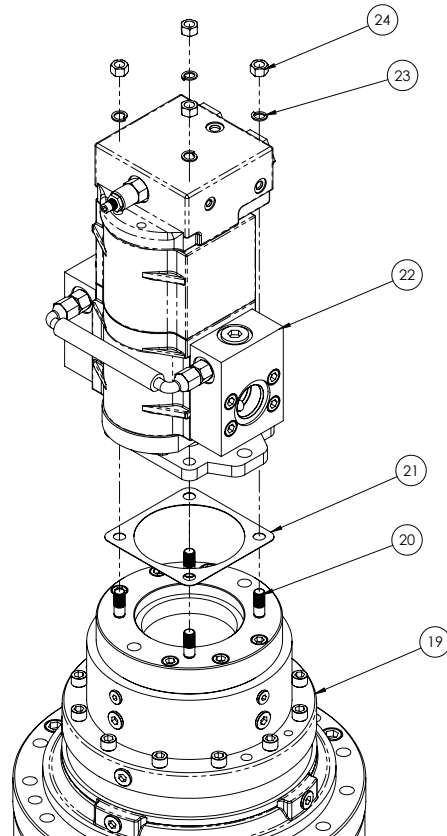


Figure 11

Please order replacement parts by PART NO. and DESCRIPTION.

DT-15 (610005) PARTS BREAKDOWN

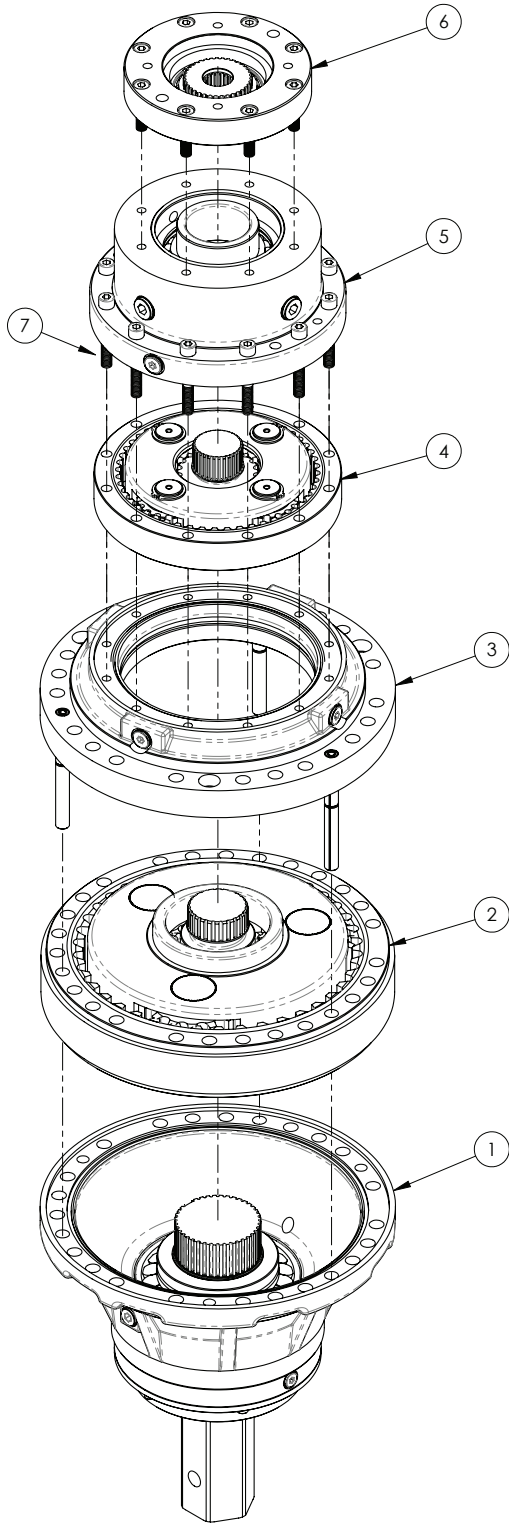


Figure 12

| ITEM | PART No. | QTY | DESCRIPTION |
|------|----------|-----|------------------------------|
| 1 | 610244 | 1 | SUPPORT RE2520 |
| 2 | 610245 | 1 | GEARSET RE2520 5.20 |
| 3 | 610246 | 1 | INTERMEDIATE FLANGE RE2520 |
| 4 | 610247 | 1 | GEARSET RE810 5.10 |
| 5 | 610248 | 1 | INPUT SUPPORT RE810 / RE1020 |
| 6 | 610249 | 1 | MOTOR INPUT |
| 7 | | 12 | SCREW M12 |
| * | 610274 | 1 | SEAL KIT |

GEARBOX REPLACEMENT PARTS

Replacement parts for the gearbox are sold in modules as indicated by the exploded view drawing. These modules are intended to provide quick and complete replacement. Each module will include all the parts necessary to complete the section, this include seals and o-rings. The seal kit which includes all seals and o-rings can be purchased separately.

Please note modules will not be broken apart to supply an individual item within the module, the entire module must be purchased.

WARRANTY NOTICE:

Any attempt to disassemble or make field repairs to the planetary gearbox will VOID the warranty. Please contact your dealer or distributor for further information.

Please order replacement parts by PART NO. and DESCRIPTION.

RT-9 (610058) PARTS BREAKDOWN

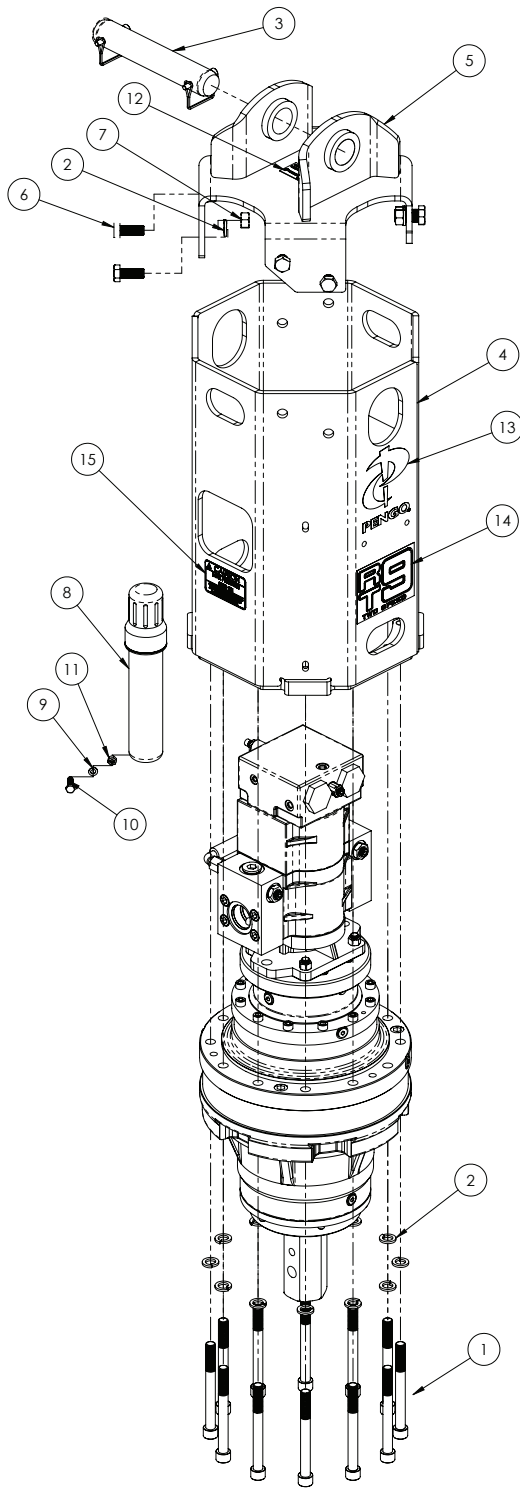


Figure 13

| ITEM | PART No. | QTY | DESCRIPTION |
|------|----------|-----|-----------------------------|
| 1 | 610151 | 12 | SCREW HEX SOC HD M16 X 160 |
| 2 | 700760 | 20 | WASHER LOCK M16 |
| 3 | 660558 | 1 | PIN ASSEMBLY 45mm |
| 4 | 610119 | 1 | BAIL PAINTED OCT BOTOM RT-9 |
| 5 | 610121 | 1 | BAIL PAINTED OCT TOP RT-9 |
| 6 | 610152 | 8 | SCREW HEX M16 X 40 |
| 7 | 610035 | 8 | NUT HEX M16 X 2 |
| 8 | 610000 | 1 | MANUAL HOLDER |
| 9 | 700525 | 2 | WASHER LOCK 8mm |
| 10 | 700527 | 2 | SCREW HEX M8 X 30 |
| 11 | 700529 | 2 | NUT HEX M8 X 1.25 |
| 12 | 610169 | 1 | SERIAL TAG |
| 13 | 350287 | 1 | DECAL PENGU SMALL |
| 14 | 350270 | 1 | DECAL MODEL RT-9 |
| 15 | 135501 | 2 | DECAL CAUTION 3000 PSI |
| 16* | 350279 | 1 | DECAL AUTO SHIFT |
| 17* | 350247 | 1 | DECAL DANGER AUGER DRIVE |
| 18 | 610004 | 1 | GEARBOX RE1522 25.36:1 |
| 19 | 137363 | 4 | STUD THREADED M12 X 50 |
| 20 | 660739 | 1 | GASKET SAE-C |
| 21 | 610017 | 1 | MOTOR HYD SMDH 3030 XPR |
| 22 | 700535 | 4 | WASHER LOCK 12mm |
| 23 | 174508 | 4 | NUT HEX M12 |

* Indicates item not shown

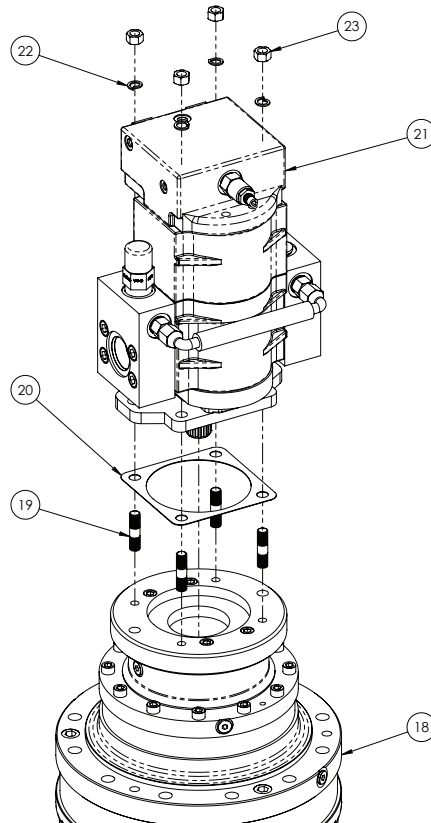


Figure 14

Please order replacement parts by PART NO. and DESCRIPTION.

RT-9 (610004) PARTS BREAKDOWN

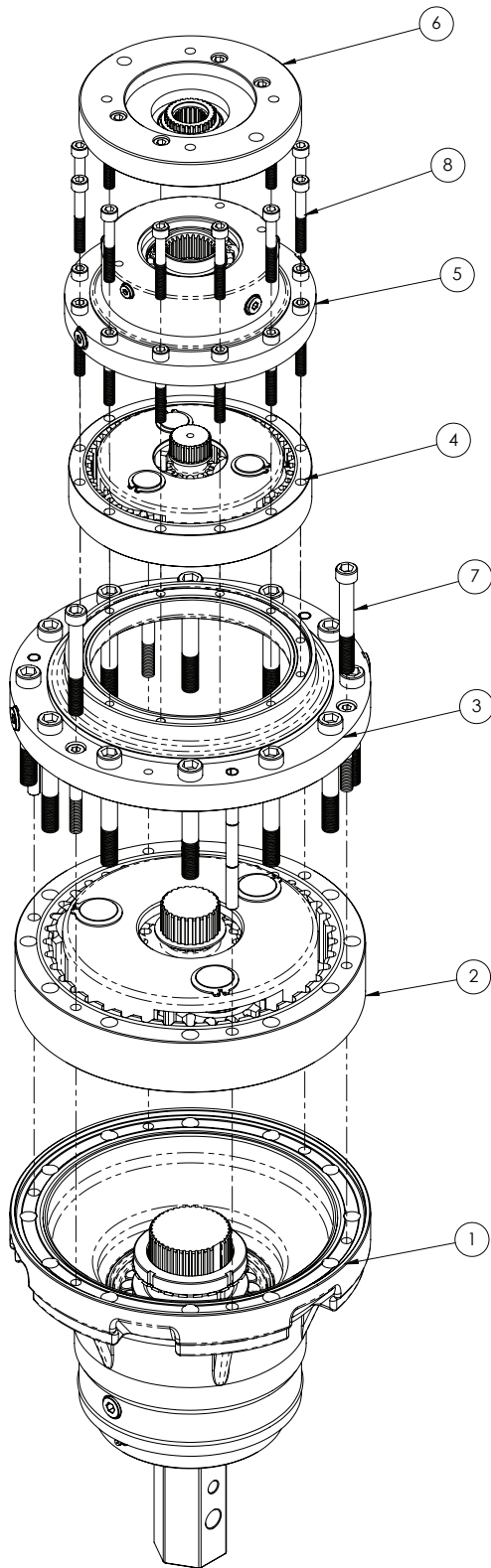


Figure 15

| ITEM | PART No. | QTY | DESCRIPTION |
|------|----------|-----|-----------------------------|
| 1 | 610166 | 1 | SUPPORT RE1520 HEI2 |
| 2 | 610167 | 1 | GEARSET RE1520 4.09 |
| 3 | 610168 | 1 | INTERMEDIATE FLANGE RE1520 |
| 4 | 610269 | 1 | GEARSET RE1520 6.20 |
| 5 | 610160 | 1 | INPUT SUPPORT RE310 / RE510 |
| 6 | 610253 | 1 | MOTOR INPUT |
| 7 | | 3 | SCREW M14 X 110 |
| 8 | | 12 | SCREW M10 |
| * | 610273 | 1 | SEAL KIT |

GEARBOX REPLACEMENT PARTS

Replacement parts for the gearbox are sold in modules as indicated by the exploded view drawing. These modules are intended to provide quick and complete replacement. Each module will include all the parts necessary to complete the section, this include seals and o-rings. The seal kit which includes all seals and o-rings can be purchased separately.

Please note modules will not be broken apart to supply an individual item within the module, the entire module must be purchased.

***WARRANTY NOTICE*:**

Any attempt to disassemble or make field repairs to the planetary gearbox will VOID the warranty. Please contact your dealer or distributor for further information.

Please order replacement parts by PART NO. and DESCRIPTION.

RT-12 (610059) PARTS BREAKDOWN

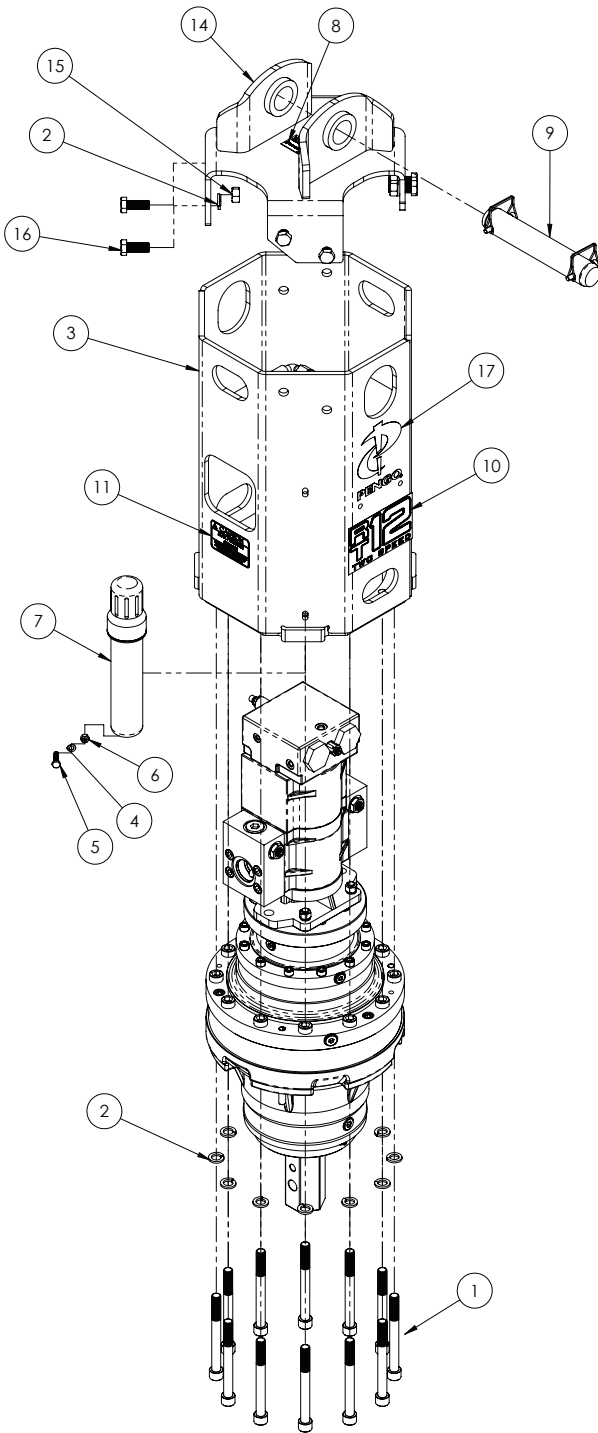


Figure 16

| ITEM | PART No. | QTY | DESCRIPTION |
|------|----------|-----|-------------------------------|
| 1 | 610151 | 12 | SCREW HEX SOC HD M16 X 160 |
| 2 | 700760 | 20 | WASHER LOCK M16 |
| 3 | 660119 | 1 | BAIL PAINTED OCT BOTTOM RT-12 |
| 4 | 700525 | 2 | WASHER LOCK 8mm |
| 5 | 700527 | 2 | SCREW HEX M8 X 30 |
| 6 | 700529 | 2 | NUT HEX M8 X 1.25 |
| 7 | 610000 | 1 | MANUAL HOLDER |
| 8 | 610169 | 1 | SERIAL TAG |
| 9 | 660558 | 1 | PIN ASSEMBLY 45mm |
| 10 | 350271 | 1 | DECAL MODEL RT-12 |
| 11 | 135501 | 2 | DECAL CAUTION 3000 PSI |
| 12* | 350279 | 1 | DECAL AUTO SHIFT |
| 13* | 350247 | 1 | DECAL DANGER AUGER DRIVE |
| 14 | 610121 | 1 | BAIL PAINTED OCT TOP RT-12 |
| 15 | 610035 | 8 | NUT HEX M16 X 2 |
| 16 | 610152 | 8 | SCREW HEX M16 X 40 |
| 17 | 350287 | 1 | DECAL PENGU SMALL |
| 18 | 610004 | 1 | GEARBOX RE1522 25.36:1 |
| 19 | 137363 | 4 | STUD THREADED M12 X 50 |
| 20 | 660739 | 1 | GASKET SAE-C |
| 21 | 610268 | 1 | MOTOR HYD SMDH 3540 XPR |
| 22 | 700535 | 4 | WASHER LOCK 12mm |
| 23 | 174508 | 4 | NUT HEX M12 |

* Indicates item not shown

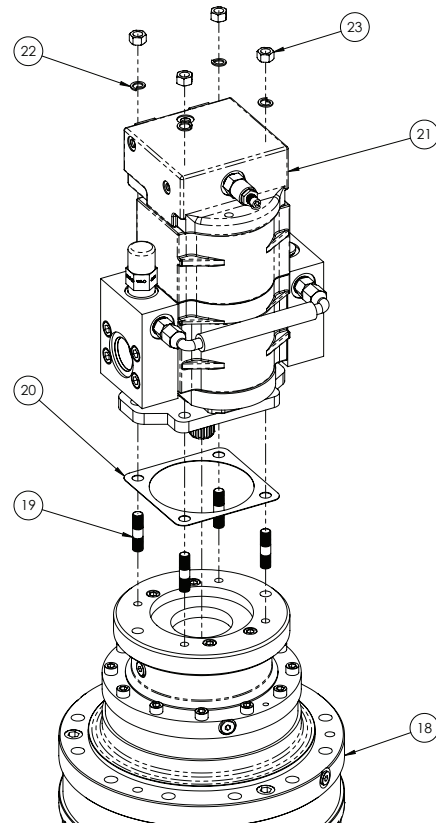


Figure 17

Please order replacement parts by PART NO. and DESCRIPTION.

RT-12 GEARBOX (610004) PARTS LIST

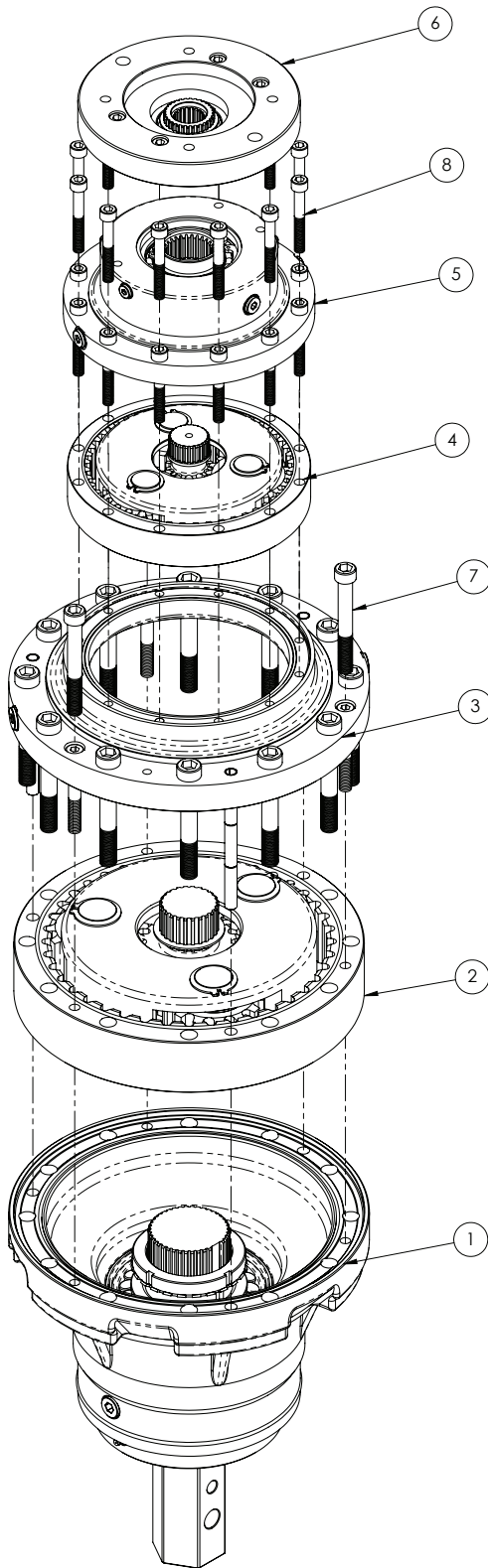


Figure 18

| ITEM | PART No. | QTY | DESCRIPTION |
|------|----------|-----|-----------------------------|
| 1 | 610166 | 1 | SUPPORT RE1520 HEI2 |
| 2 | 610167 | 1 | GEARSET RE1520 4.09 |
| 3 | 610168 | 1 | INTERMEDIATE FLANGE RE1520 |
| 4 | 610269 | 1 | GEARSET RE1520 6.20 |
| 5 | 610160 | 1 | INPUT SUPPORT RE310 / RE510 |
| 6 | 610253 | 1 | MOTOR INPUT |
| 7 | | 3 | SCREW M14 X 110 |
| 8 | | 12 | SCREW M10 |
| * | 610273 | 1 | SEAL KIT |

GEARBOX REPLACEMENT PARTS

Replacement parts for the gearbox are sold in modules as indicated by the exploded view drawing. These modules are intended to provide quick and complete replacement. Each module will include all the parts necessary to complete the section, this include seals and o-rings. The seal kit which includes all seals and o-rings can be purchased separately.

Please note modules will not be broken apart to supply an individual item within the module, the entire module must be purchased.

WARRANTY NOTICE:

Any attempt to disassemble or make field repairs to the planetary gearbox will VOID the warranty. Please contact your dealer or distributor for further information.

Please order replacement parts by PART NO. and DESCRIPTION.

RT-20 (610060) PARTS BREAKDOWN

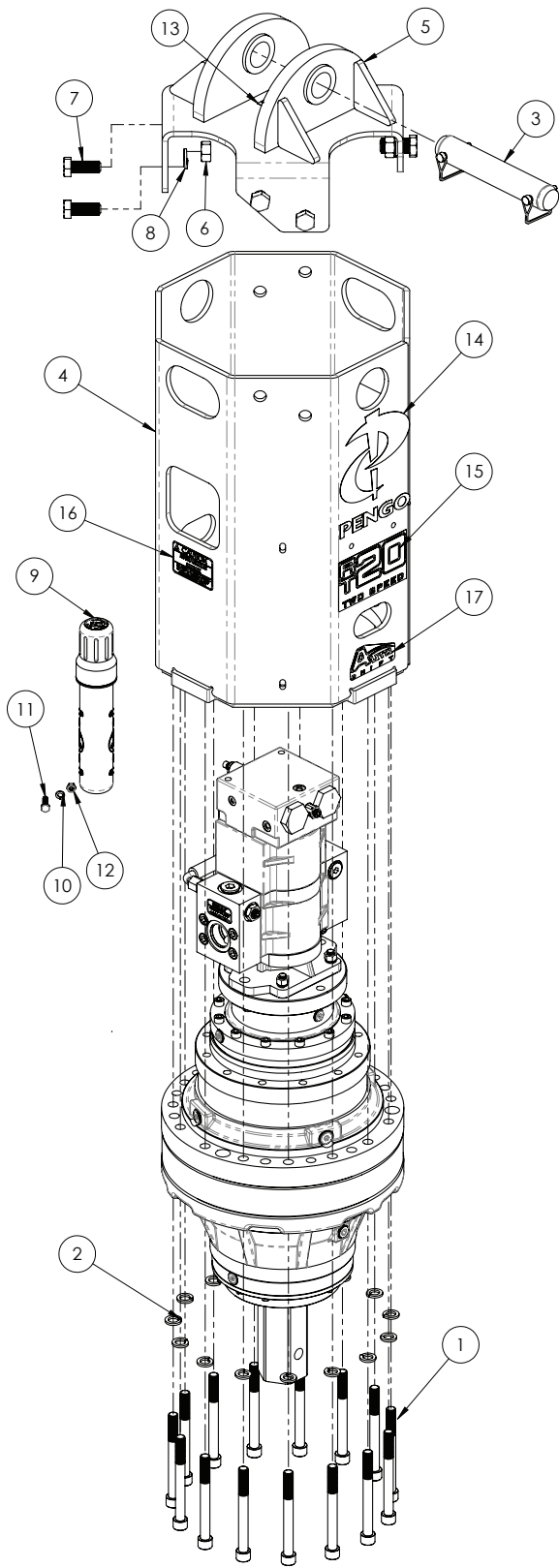


Figure 19

| ITEM | PART No. | QTY | DESCRIPTION |
|------|----------|-----|-------------------------------|
| 1 | 610151 | 15 | SCREW HEX SOC HD M16 X 160 |
| 2 | 700760 | 15 | WASHER LOCK M16 |
| 3 | 600558 | 1 | PIN ASSEMBLY 45mm |
| 4 | 610126 | 1 | BAIL PAINTED OCT BOTTOM RT-20 |
| 5 | 610439 | 1 | BAIL PAINTED OCT TOP RT-20 |
| 6 | 610154 | 8 | NUT HEX M20 X 2.5 |
| 7 | 610153 | 8 | SCREW HEX M20 X 50 |
| 8 | 610095 | 8 | WASHER LOCK 20mm |
| 9 | 610000 | 1 | MANUAL HOLDER |
| 10 | 700525 | 2 | WASHER LOCK 8mm |
| 11 | 700527 | 2 | SCREW HEX M8 X 30 |
| 12 | 700529 | 2 | NUT HEX M8 X 1.25 |
| 13 | 610169 | 1 | SERIAL TAG |
| 14 | 350288 | 1 | DECAL PENG0 SMALL |
| 15 | 350272 | 1 | DECAL MODEL RT-20 |
| 16 | 135501 | 2 | DECAL CAUTION 3000 PSI |
| 17 | 350279 | 1 | DECAL AUTO SHIFT |
| 18* | 350247 | 1 | DECAL DANGER AUGER DRIVE |
| 19 | 610006 | 1 | GEARBOX RE2523 60.56:1 |
| 20 | 137363 | 4 | STUD THREADED M12 X 50 |
| 21 | 660739 | 1 | GASKET SAE-C |
| 22 | 610017 | 1 | MOTOR HYD SMDH 3030 XPR |
| 23 | 700535 | 4 | WASHER LOCK 12mm |
| 24 | 174508 | 4 | NUT HEX M12 |

* Indicates item not shown

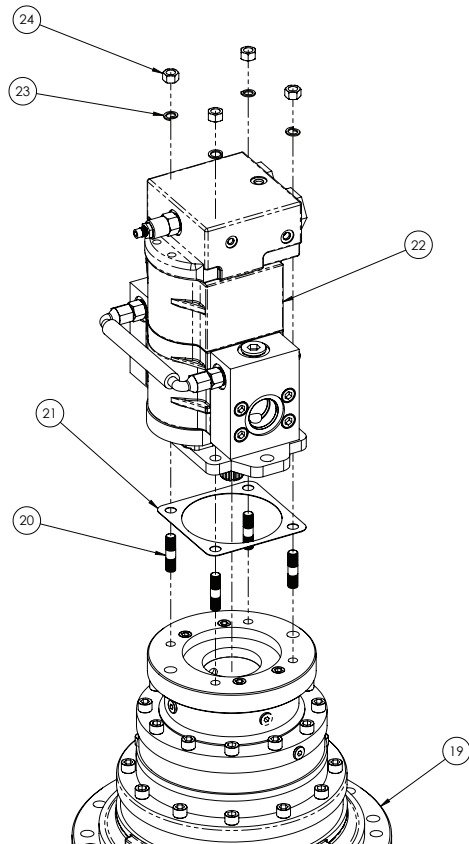


Figure 20

Please order replacement parts by PART NO. and DESCRIPTION.

RT-20 GEARBOX (610006) PARTS LIST

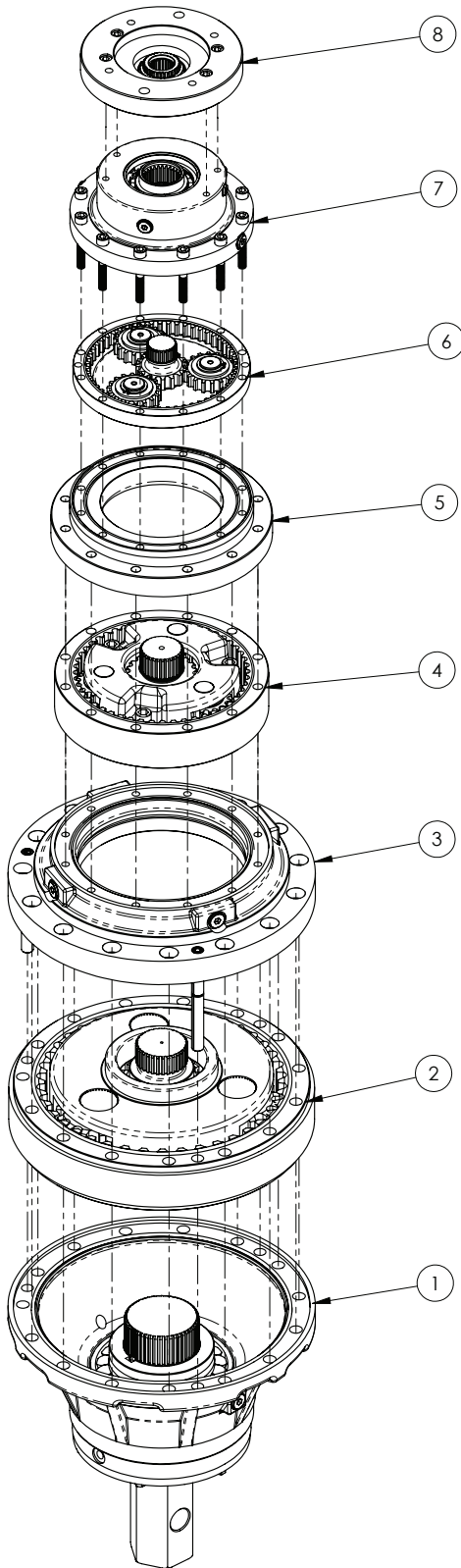


Figure 21

| ITEM | PART No. | QTY | DESCRIPTION |
|------|----------|-----|----------------------------|
| 1 | 610244 | 1 | OUTPUT SUPPORT |
| 2 | 610283 | 1 | GEARSET RE2520 |
| 3 | 610246 | 1 | INTERMEDIATE FLANGE RE2520 |
| 4 | 610284 | 1 | GEARSET RE1020 3.56 |
| 5 | 610164 | 1 | INPUT SUPPORT 810 / 1020 |
| 6 | 610285 | 1 | GEARSET RE310 4.25 |
| 7 | 610160 | 1 | INPUT SUPPORT RE310 / 510 |
| 8 | 610253 | 1 | MOTOR INPUT |
| * | 610275 | 1 | SEAL KIT |

GEARBOX REPLACEMENT PARTS

Replacement parts for the gearbox are sold in modules as indicated by the exploded view drawing. These modules are intended to provide quick and complete replacement. Each module will include all the parts necessary to complete the section, this include seals and o-rings. The seal kit which includes all seals and o-rings can be purchased separately.

Please note modules will not be broken apart to supply an individual item within the module, the entire module must be purchased.

WARRANTY NOTICE:

Any attempt to disassemble or make field repairs to the planetary gearbox will VOID the warranty. Please contact your dealer or distributor for further information.

Please order replacement parts by PART NO. and DESCRIPTION.

RT-30 (610061) PARTS BREAKDOWN

| ITEM | PART No. | QTY | DESCRIPTION |
|------|----------|-----|-------------------------------|
| 1 | 670162 | 18 | SCREW HEX SOC HD M16 X 150 |
| 2 | 660554 | 1 | PIN 75mm |
| 3 | 610379 | 1 | BAIL PAINTED OCT BOTTOM RT-30 |
| 4 | 700760 | 18 | WASHER LOCK 16mm |
| 5 | 610434 | 1 | BAIL PAINTED OCT TOP RT-30 |
| 6 | 610154 | 8 | NUT HEX M20 X 2.5 |
| 7 | 610095 | 8 | WASHER LOCK 20mm |
| 8 | 610153 | 8 | SCREW HEX M20 X 50mm |
| 9 | 610169 | 1 | SERIAL TAG |
| 10 | 350273 | 1 | DECAL MODEL RT-30 |
| 11 | 350288 | 1 | DECAL PENGU MEDIUM |
| 12 | 135501 | 2 | DECAL CAUTION 3000 PSI |
| 13 | 350279 | 1 | DECAL AUTO SHIFT |
| 14 | 610000 | 1 | MANUAL HOLDER |
| 15 | 700527 | 2 | SCREW HEX M8 X 30 |
| 16 | 700525 | 2 | WASHER LOCK 8mm |
| 17 | 700529 | 2 | NUT HEX M8 X 1.25 |
| 18 | 350291 | 1 | DECAL MOTOR PORTS |
| 19 | *350247 | 1 | DECAL DANGER |
| 20 | 700534 | 4 | WASHER LOCK 10mm |
| 21 | 610097 | 1 | BAIL PIN CAP |
| 22 | 660739 | 1 | GASKET SAE-C |
| 23 | 610018 | 1 | MOTOR HYD SMDH 3535 XPR |
| 24 | 700535 | 4 | WASHER LOCK 12mm |
| 25 | 174508 | 4 | NUT HEX 12mm |
| 26 | 610007 | 1 | GEARBOX RE3513 69.7:1 |
| 27 | 137363 | 4 | STUD THREADED M12 X 50 |

* Indicates item not shown

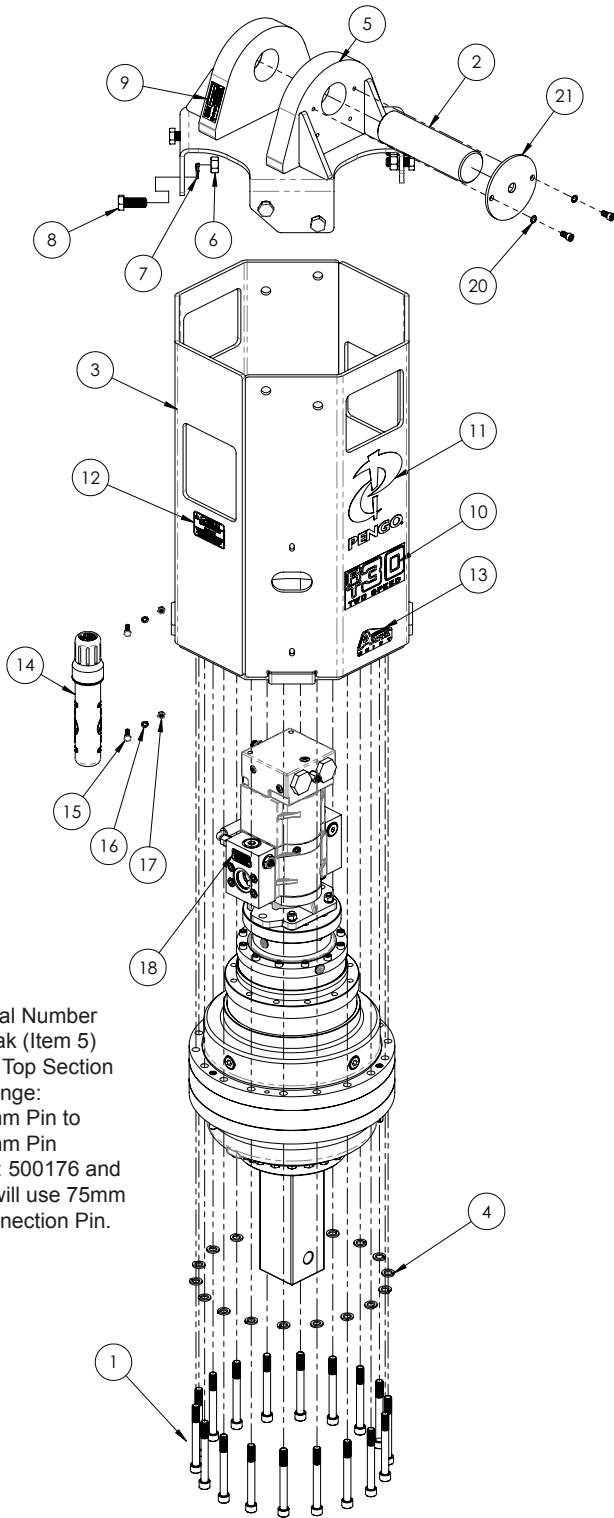


Figure 22

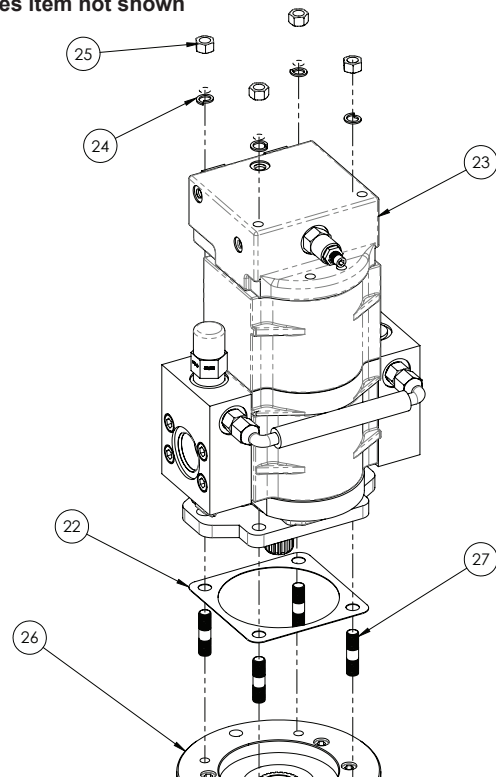


Figure 23

Serial Number
Break (Item 5)
Bail Top Section
Change:
45mm Pin to
75mm Pin
S/N: 500176 and
up will use 75mm
Connection Pin.

Please order replacement parts by PART NO. and DESCRIPTION.

RT-30 GEARBOX (610007) PARTS LIST

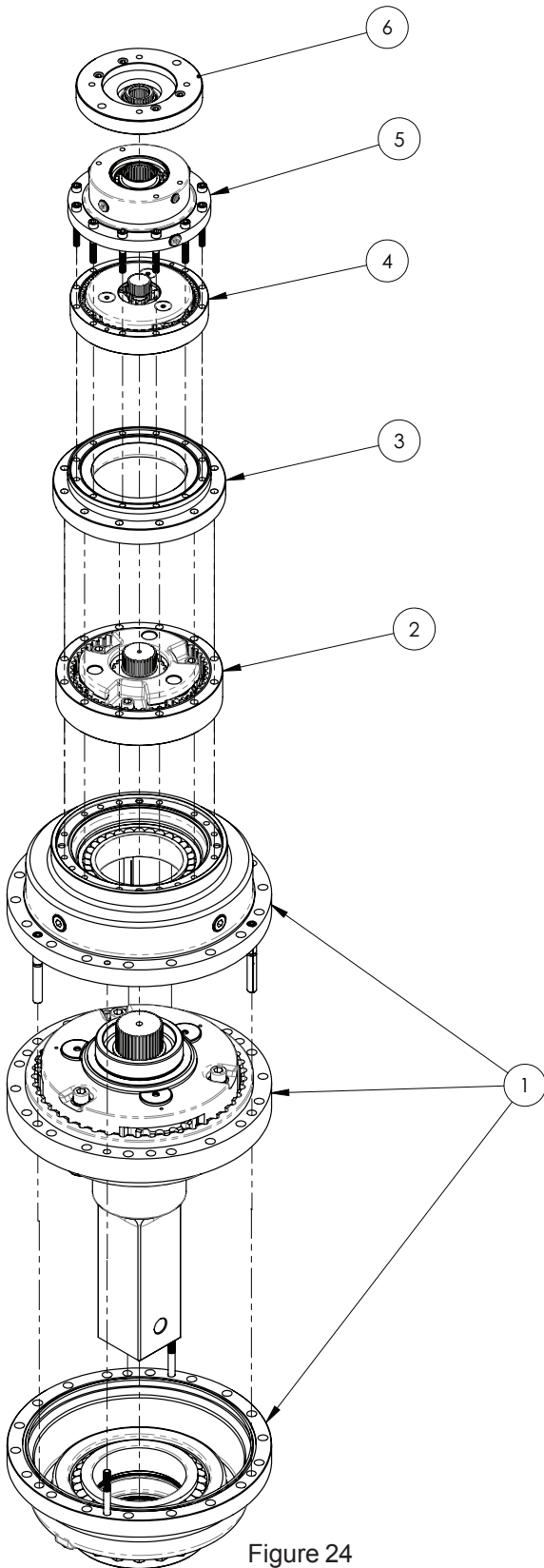


Figure 24

| ITEM | PART No. | QTY | DESCRIPTION |
|------|----------|-----|------------------------------|
| 1 | 610250 | 1 | OUTPUT RE 3510 HEI 5.43 |
| 2 | 610262 | 1 | GEARSET RE 1020 3.56 |
| 3 | 610164 | 1 | INTERMEDIATE FLANGE 810/1020 |
| 4 | 610264 | 1 | GEARSET RE 510 3.60 |
| 5 | 610160 | 1 | INPUT SUPPORT RE 310/510 |
| 6 | 610253 | 1 | MOTOR FIXING INPUT |
| * | 610276 | 1 | SEAL KIT |

GEARBOX REPLACEMENT PARTS

Replacement parts for the gearbox are sold in modules as indicated by the exploded view drawing. These modules are intended to provide quick and complete replacement. Each module will include all the parts necessary to complete the section, this include seals and o-rings. The seal kit which includes all seals and o-rings can be purchased separately.

Please note modules will not be broken apart to supply an individual item within the module, the entire module must be purchased.

***WARRANTY NOTICE*:**

Any attempt to disassemble or make field repairs to the planetary gearbox will VOID the warranty. Please contact your dealer or distributor for further information.

Please order replacement parts by PART NO. and DESCRIPTION.

RT-40 (610062) PARTS BREAKDOWN

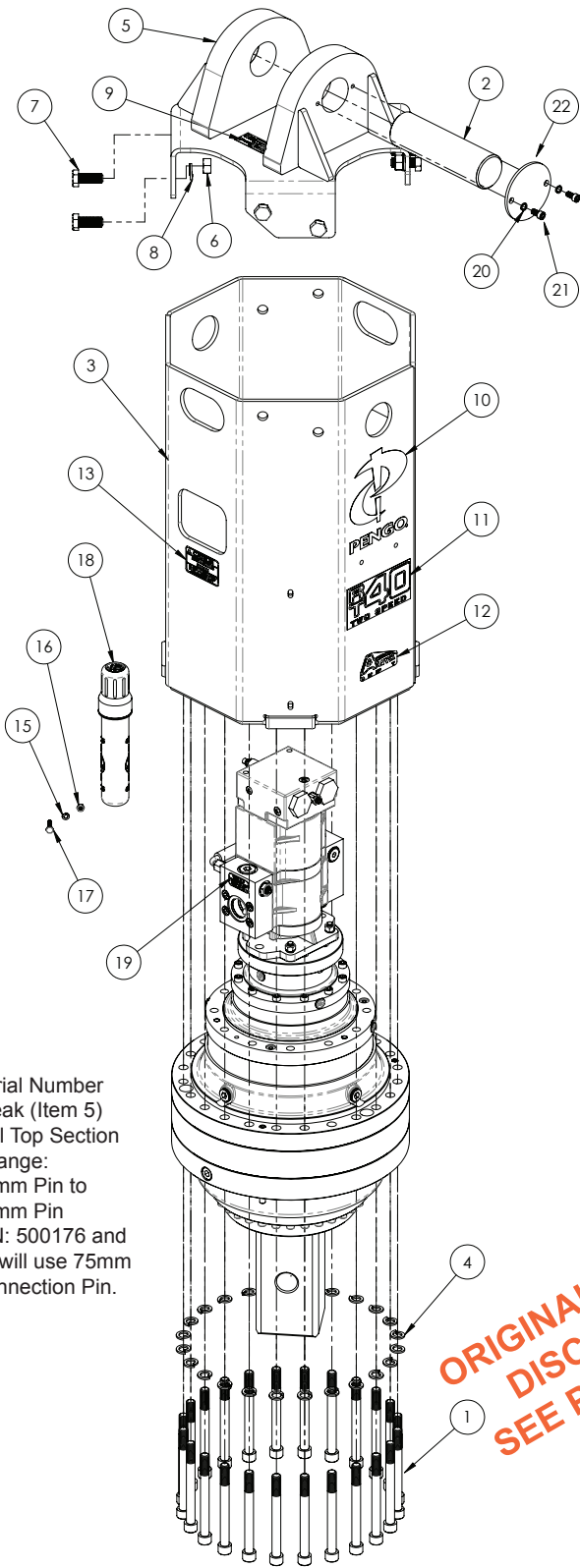


Figure 25

| ITEM | PART No. | QTY | DESCRIPTION |
|------|----------|-----|-------------------------------|
| 1 | 610034 | 24 | SCREW HEX SOC HD M18 X 190 |
| 2 | 660554 | 1 | PIN 75mm |
| 3 | 610135 | 1 | BAIL PAINTED OCT BOTTOM RT-40 |
| 4 | 700541 | 24 | WASHER LOCK 18mm |
| 5 | 610434 | 1 | BAIL PAINTED OCT TOP RT-40 |
| 6 | 610154 | 8 | NUT HEX M20 X 2.5 |
| 7 | 610153 | 8 | SCREW HEX M20 X 50 |
| 8 | 610095 | 8 | WASHER LOCK 20mm |
| 9 | 610169 | 1 | SERIAL TAG |
| 10 | 350288 | 1 | DECAL PENGO MEDIUM |
| 11 | 350274 | 1 | DECAL MODEL RT-40 |
| 12 | 350279 | 1 | DECAL AUTO SHIFT |
| 13 | 135501 | 2 | DECAL CAUTION 3000 PSI |
| 14 | *350247 | 1 | DECAL DANGER AUGER DRIVE |
| 15 | 700525 | 2 | WASHER LOCK 8mm |
| 16 | 700529 | 2 | NUT HEX M8 X 1.25 |
| 17 | 700527 | 2 | SCREW HEX M8 X 30 |
| 18 | 610000 | 1 | MANUAL HOLDER |
| 19 | 350291 | 1 | DECAL MOTOR PORTS |
| 20 | 700534 | 4 | WASHER LOCK 10mm |
| 21 | 610098 | 4 | SCREW HEX SOC HD M10 X 20 |
| 22 | 610097 | 2 | BAIL PIN CAP |
| 23 | 137363 | 4 | STUD THREADED M12 X 50 |
| 24 | 660739 | 1 | GASKET SAE-C |
| 25 | 610018 | 1 | MOTOR HYD MOTOR SMDH 3535 XPR |
| 26 | 700535 | 4 | WASHER LOCK 12mm |
| 27 | 174508 | 4 | NUT HEX M12 |
| 28 | 174508 | 4 | GEARBOX RE5023 90.39:1 |

* Indicates item not shown

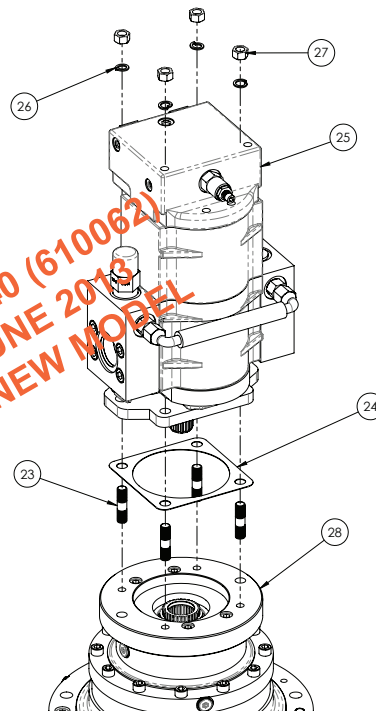


Figure 26

ORIGINAL MODEL RT-40 (610062)
DISCONTINUED JUNE 2013
SEE PAGE 34 FOR NEW MODEL

Serial Number
Break (Item 5)
Bail Top Section
Change:
45mm Pin to
75mm Pin
S/N: 500176 and
up will use 75mm
Connection Pin.

Please order replacement parts by PART NO. and DESCRIPTION.

RT-40 GEARBOX (610008) PARTS LIST

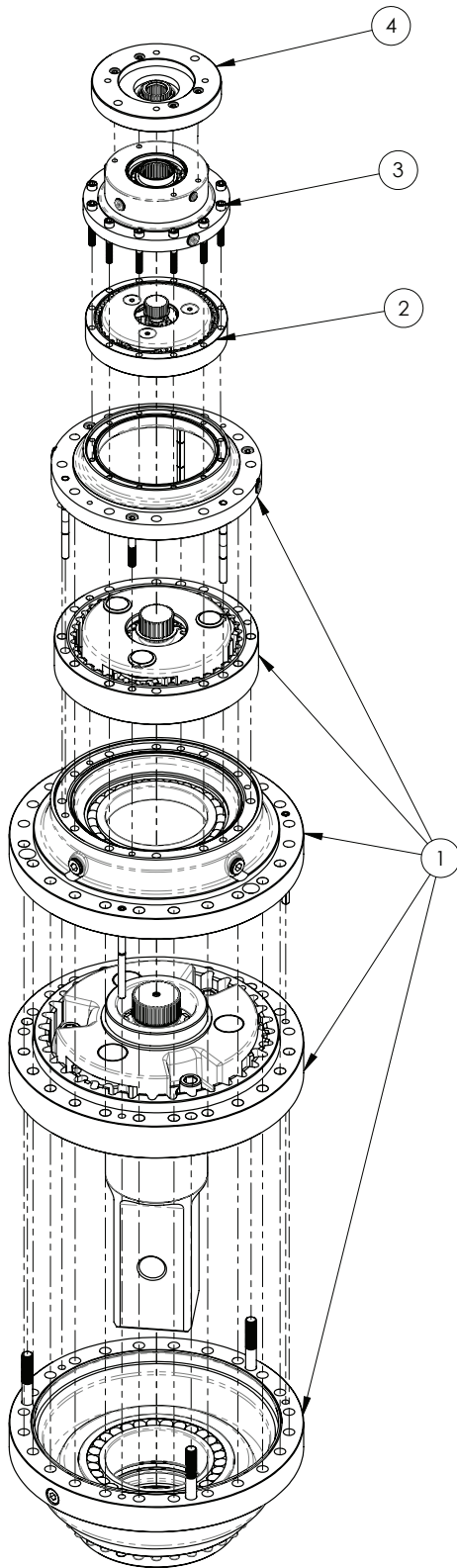


Figure 27

| ITEM | PART No. | QTY | DESCRIPTION |
|------|----------|-----|-----------------------------|
| 1 | 610286 | 1 | OUTPUT SUPPORT RE5020 PENG0 |
| 2 | 610287 | 1 | GEARSET RE510 5.33 |
| 3 | 610160 | 1 | INPUT SUPPORT RE310 / RE510 |
| 4 | 610253 | 1 | MOTOR INPUT |
| * | 610277 | 1 | SEAL KIT |

GEARBOX REPLACEMENT PARTS

Replacement parts for the gearbox are sold in modules as indicated by the exploded view drawing. These modules are intended to provide quick and complete replacement. Each module will include all the parts necessary to complete the section, this include seals and o-rings. The seal kit which includes all seals and o-rings can be purchased separately.

Please note modules will not be broken apart to supply an individual item within the module, the entire module must be purchased.

WARRANTY NOTICE:

Any attempt to disassemble or make field repairs to the planetary gearbox will VOID the warranty. Please contact your dealer or distributor for further information.

ORIGINAL GEARBOX RT-40 (610008)
 DISCONTINUED JUNE 2013
 SEE PAGE 35 FOR NEW GEARBOX

Please order replacement parts by PART NO. and DESCRIPTION.

RT-40 (610480) PARTS BREAKDOWN

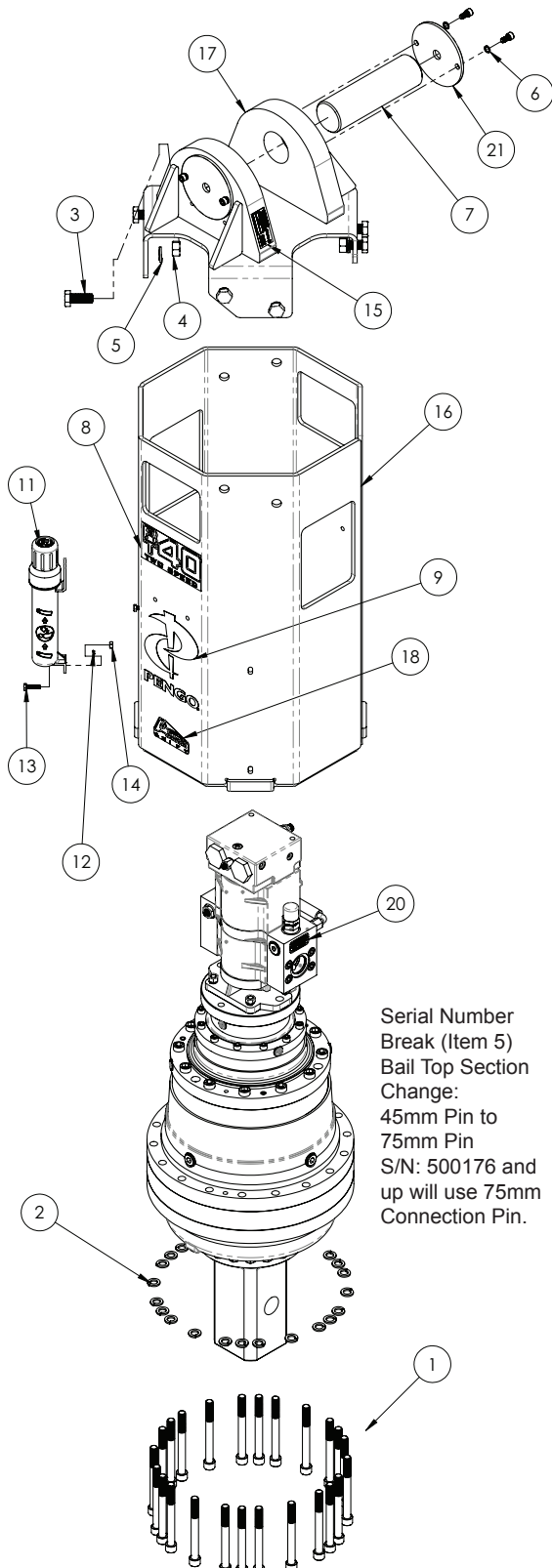


Figure 25

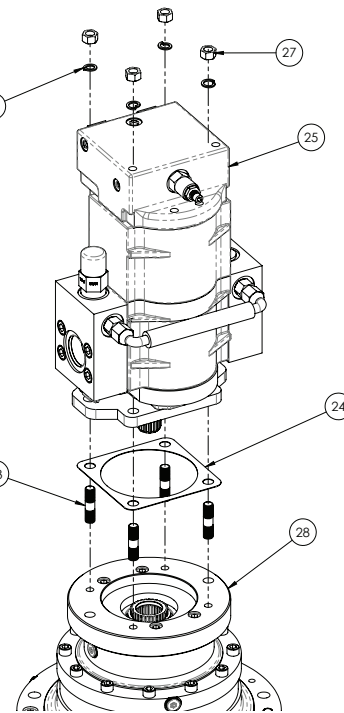


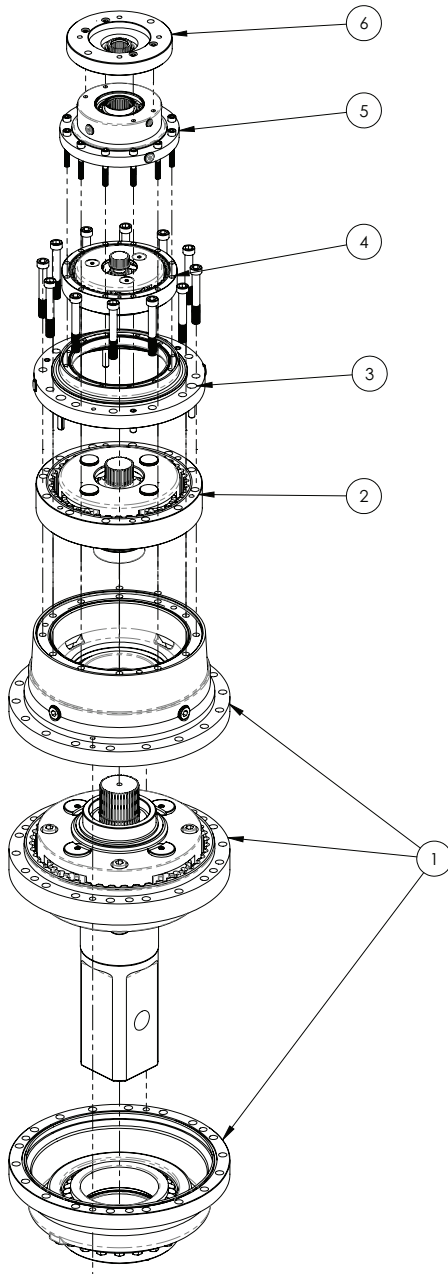
Figure 26

| ITEM | PART No. | QTY | DESCRIPTION |
|------|----------|-----|-------------------------------|
| 1 | 610151 | 24 | SCREW HEX SOC HD M16 X 160 |
| 2 | 700760 | 24 | WASHER LOCK M16 |
| 3 | 610153 | 8 | SCREW HEX M20 X 50MM |
| 4 | 610154 | 8 | NUT HEX M20 |
| 5 | 610095 | 8 | WASHER LOCK 20mm |
| 6 | 700534 | 4 | WASHER LOCK 10mm |
| 7 | 660554 | 1 | PIN 75mm |
| 8 | 350274 | 1 | DECAL MODEL RT-40 |
| 9 | 350288 | 1 | DECAL PENGO SYMBOL SM |
| 10 | *350247 | 1 | DECAL DANGER AUGER DRIVE |
| 11 | 610000 | 1 | MANUAL HOLDER |
| 12 | 700525 | 2 | WASHER LOCK 8mm |
| 13 | 700527 | 2 | SCREW HEX GR8 M8 X 30MM |
| 14 | 700529 | 2 | NUT HEX M8 |
| 15 | 610169 | 1 | SERIAL TAG |
| 16 | 610478 | 1 | BAIL BOTTOM RT-40 S2 |
| 17 | 610479 | 1 | BAIL TOP RT-40 S2 |
| 18 | 350279 | 1 | DECAL AUTO SHIFT |
| 19 | 135501 | 1 | DECAL CAUTION 3000 PSI |
| 20 | 350291 | 1 | DECAL MOTOR PORTS RT SERIES |
| 21 | 610097 | 2 | BAIL PIN CAP |
| 23 | 137363 | 4 | STUD THREADED M12 X 50 |
| 24 | 660739 | 1 | GASKET SAE-C |
| 25 | 610459 | 1 | MOTOR HYD MOTOR SMDH 3545 XPR |
| 26 | 700535 | 4 | WASHER LOCK 12mm |
| 27 | 174508 | 4 | NUT HEX M12 |
| 28 | 610453 | 1 | GEARBOX RE4800 83.78:1 |

* Indicates item not shown

Please order replacement parts by PART NO. and DESCRIPTION.

RT-40 GEARBOX (610453) PARTS LIST



| ITEM | PART No. | QTY | DESCRIPTION |
|------|----------|-----|-----------------------------|
| 1 | 610639 | 1 | OUTPUT SECTION RE 5021 4.14 |
| 2 | 610507 | 1 | GEARSET RE 1520 4.09 |
| 3 | 610508 | 1 | INTERMEDIATE FLANGE RE 1520 |
| 4 | 610287 | 1 | GEARSET RE 510 5.33 |
| 5 | 610160 | 1 | INPUT SUPPORT RE 310 / 510 |
| 6 | 610253 | 1 | MOTOR FIXING INPUT |
| * | 610608 | 1 | SEAL KIT |

GEARBOX REPLACEMENT PARTS

Replacement parts for the gearbox are sold in modules as indicated by the exploded view drawing. These modules are intended to provide quick and complete replacement. Each module will include all the parts necessary to complete the section, this include seals and o-rings. The seal kit which includes all seals and o-rings can be purchased separately.

Please note modules will not be broken apart to supply an individual item within the module, the entire module must be purchased.

WARRANTY NOTICE:

Any attempt to disassemble or make field repairs to the planetary gearbox will VOID the warranty. Please contact your dealer or distributor for further information.

Figure 27

Please order replacement parts by PART NO. and DESCRIPTION.

WARRANTY POLICY

LIMITED WARRANTY

PENGO, warrants its products against faulty design, material, and workmanship for the periods listed below. The warranty starts on the delivery date to the retail owner and is non-transferable.

WARRANTY PERIOD (Dating from the delivery to the original user)

Gearbox: 24 months or 500 operational hours, whichever occurs first.

Hyd. Motor: 12 months or 250 operational hours, whichever occurs first.

WARRANTY SERVICE

All new PENGO products are warranted to be free from defects in material and workmanship, which may cause failure under normal usage and service when used for the purpose intended.

The PENGO warranty covers faulty workmanship and defective parts manufactured by PENGO. The warranty does not extend to transportation cost of parts nor does it cover consequential loss, damage to Hydraulic Hoses or ground engaging parts such as Sprockets, Digging Chain, Bearings and Teeth.

PENGO Equipment must be operated in accordance with the recommended procedures and within the ranges as specified both on the Unit and contained in the Operating Manual.

Any claims under this warranty must be made within fourteen (14) days after the buyer learns of the facts upon which claim is based. All claims not made in writing and not received by PENGO within the time specified above may be deemed waived. PENGO will not be responsible for or accept any charges for work carried out by any repairs, or for any charges for any spare parts fitted to any PENGO products without written approval from PENGO. PENGO's liability for any and all losses and damages to buyer resulting from any cause whatsoever, including PENGO negligence irrespective of whether such defects are discoverable or latent, shall in no event exceed the purchase price of the particular parts, with respect to which losses or damages are claimed, or, at the discretion of PENGO the repair or replacement of defective or damaged parts.

VOID WARRANTY

This warranty is void if field repairs or modifications have been made to the motor, gearbox and or controls without written approval. The complete unit must be available for inspection in it's original but alleged failed condition. This warranty does not apply to normal wear or to damage resulting from accident, abnormal use, abuse or neglect.

PRODUCT IMPROVEMENTS

Product improvement and modifications is an on going process at PENGO. PENGO reserves the right to make changes or additions to any product or to the warranty without incurring any obligations to make such changes available for previously sold products.

PENGO makes no other warranty. All other warranties, whether expressed or implied, such as warranties of merchantability or fitness for a particular purpose, are hereby excluded and disclaimed to the extent that they exceed the warranties expressly granted in this limited warranty. In no event shall PENGO be liable for consequential or incidental damages.

RETURNED GOODS POLICY







PENGO reserves the right to determine whether products claimed to be defective shall be inspected by our personnel in the field or returned to the factory. If judged by PENGO to be defective in material or workmanship, the product will be replaced or a credit issued at the option of Pengo.

Upon notification of defect, PENGO's Inside Sales Department will issue a Return Materials Authorization (RMA) number. All returns for replacement or credit MUST be accompanied by a RMA number. **Products returned without an RMA number will be rejected and returned to the sender freight collect.** All returns must be shipped "prepaid". Products shipped "collect" will be refused. Proof of purchase such as invoice number must accompany returns.

All RMA's must be returned within 30 days of the request.

TORQUE CHART FOR COMMON BOLT SIZES

The chart below lists the correct tightening torque for fasteners. When bolts are to be tightened or replaced, refer to this chart to determine the grade of the bolt and the proper torque. Except when specific torque values are list in a particular application.

| |  | |  | |  | | |  | |  | |  | |
|----------------|---|--------|---|--------|---|--------|----------------|--|--------|---|--------|---|--------|
| Bolt Size (In) | Grade 2 | | Grade 5 | | Grade 8 | | Bolt Size (mm) | Class 5.8 | | Class 8.8 | | Class 10.9 | |
| tpi | Nm | Ft-Lbs | Nm | Ft-Lbs | Nm | Ft-Lbs | mm x | Nm | Ft-Lbs | Nm | Ft-Lbs | Nm | Ft-Lbs |
| 1/4"-20 | 7.4 | 5.6 | 11 | 8 | 16 | 12 | M5 X 0.8 | 4 | 3 | 6 | 5 | 9 | 7 |
| 1/4"-28 | 8.5 | 6 | 13 | 10 | 18 | 14 | M6 X 1 | 7 | 5 | 11 | 8 | 15 | 11 |
| 5/16"-18 | 15 | 11 | 24 | 17 | 33 | 25 | M8 X 1.25 | 17 | 12 | 26 | 19 | 36 | 27 |
| 5/16"-24 | 17 | 13 | 26 | 19 | 37 | 27 | M8 X 1 | 18 | 13 | 28 | 21 | 39 | 29 |
| 3/8"-16 | 27 | 20 | 42 | 31 | 59 | 44 | M10 X 1.5 | 33 | 24 | 52 | 39 | 72 | 53 |
| 3/8"-24 | 31 | 22 | 47 | 35 | 67 | 49 | M10 X 0.75 | 39 | 29 | 61 | 45 | 85 | 62 |
| 7/16"-14 | 43 | 32 | 67 | 49 | 95 | 70 | M12 X 1.75 | 58 | 42 | 91 | 67 | 125 | 93 |
| 7/16"-20 | 49 | 36 | 75 | 55 | 105 | 78 | M12 X 1.5 | 60 | 44 | 95 | 70 | 130 | 97 |
| 1/2"-13 | 66 | 49 | 105 | 76 | 145 | 105 | M12 X 1 | 90 | 66 | 105 | 77 | 145 | 105 |
| 1/2"-20 | 75 | 55 | 115 | 85 | 165 | 120 | M14 X 2 | 92 | 68 | 145 | 105 | 200 | 150 |
| 9/16"-12 | 95 | 70 | 150 | 110 | 210 | 155 | M14 X 1.5 | 99 | 73 | 155 | 115 | 215 | 160 |
| 9/16"-18 | 105 | 79 | 165 | 120 | 235 | 170 | M16 X 2 | 145 | 105 | 225 | 165 | 315 | 230 |
| 5/8"-11 | 130 | 97 | 205 | 150 | 285 | 210 | M16 X 1.5 | 155 | 115 | 240 | 180 | 335 | 245 |
| 5/8"-18 | 150 | 110 | 230 | 170 | 325 | 240 | M18 X 2.5 | 195 | 145 | 310 | 230 | 405 | 300 |
| 3/4"-10 | 235 | 170 | 360 | 265 | 510 | 375 | M18 X 1.5 | 220 | 165 | 350 | 260 | 485 | 355 |
| 3/4"-16 | 260 | 190 | 405 | 295 | 570 | 420 | M20 X 2.5 | 280 | 205 | 440 | 325 | 610 | 450 |
| 7/8"-9 | 225 | 165 | 585 | 430 | 820 | 605 | M20 X 1.5 | 310 | 230 | 650 | 480 | 900 | 665 |
| 7/8"-14 | 250 | 185 | 640 | 475 | 905 | 670 | M24 X 3 | 480 | 355 | 760 | 560 | 1050 | 780 |
| 1"-8 | 340 | 250 | 875 | 645 | 1230 | 910 | M24 X 2 | 525 | 390 | 830 | 610 | 1150 | 845 |
| 1"-12 | 370 | 275 | 955 | 705 | 1350 | 995 | M30 X 3.5 | 960 | 705 | 1510 | 1120 | 2100 | 1550 |
| 1-1/8"-7 | 480 | 355 | 1080 | 795 | 1750 | 1290 | M30 X 2 | 1060 | 785 | 1680 | 1240 | 2320 | 1710 |
| 1-1/8"-12 | 540 | 395 | 1210 | 890 | 1960 | 1440 | M36 X 3.5 | 1730 | 1270 | 2650 | 1950 | 3660 | 2700 |
| 1-1/4"-7 | 680 | 500 | 1520 | 1120 | 2460 | 1820 | M36 X 2 | 1880 | 1380 | 2960 | 2190 | 4100 | 3220 |
| 1-1/4"-12 | 750 | 555 | 1680 | 1240 | 2730 | 2010 | | | | | | | |
| 1-3/8"-6 | 890 | 655 | 1990 | 1470 | 3230 | 2380 | | | | | | | |
| 1-3/8"-12 | 1010 | 745 | 2270 | 1670 | 3680 | 2710 | | | | | | | |
| 1-1/2"-6 | 1180 | 870 | 2640 | 1950 | 4290 | 3160 | | | | | | | |
| 1-1/2"-12 | 1330 | 980 | 2970 | 2190 | 4820 | 3560 | | | | | | | |

tpi = Nominal thread diameter in inches per inch.

Nm = Newton Meters.

Ft-Lbs = Foot Pounds

mm x = Nominal thread diameter in millimeters x thread pitch.



Headquarters

Iowa

500 East Highway 10

Laurens, IA 50554

PH: 800-599-0211

FX: 800.915.6904

Minnesota

13369 60th St. S.W.

Cokato, MN 55321

PH: 888-286-0982

FX: 320-286-5583

www.pengoattachments.com



Division of



INTERNATIONAL
EQUIPMENT
SOLUTIONS

**Know what's below.
Call before you dig.**

Printed in the USA