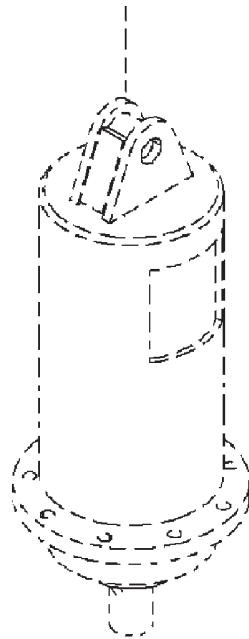


# **(STANDARD) MOUNTING KITS FOR MCMILLEN AUGER DRIVES UP TO X5075**



***NEW MOUNTS ARE BEING DESIGNED EVERY DAY.***

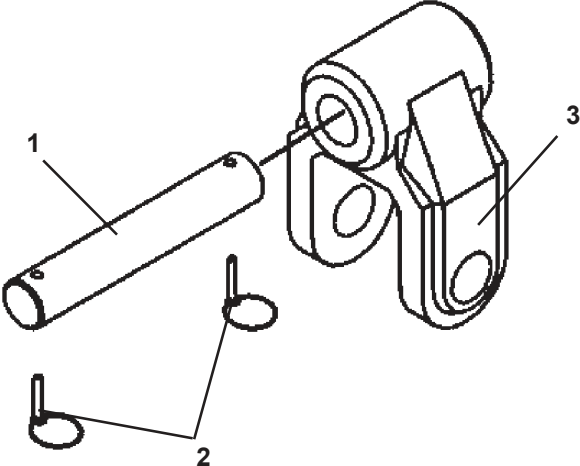
Contact the factory if you do not find your application listed.

The mounting kits included in this section are for all drives that have a standard pendant mounting. Auger drive specifications will determine if your drive unit can be mounted to any given host machine. The GPM and PSI of the host machine must be within the recommended range of the drive unit being installed.

**DEALERS AND/OR OWNERS MUST DETERMINE THAT  
COMPATIBILITY BETWEEN THE HOST MACHINE AND THE  
AUGER DRIVE EXISTS.**

Compatibility includes hydraulic flow and pressure along with structural integrity.

# UNIVERSAL SWIVEL KIT

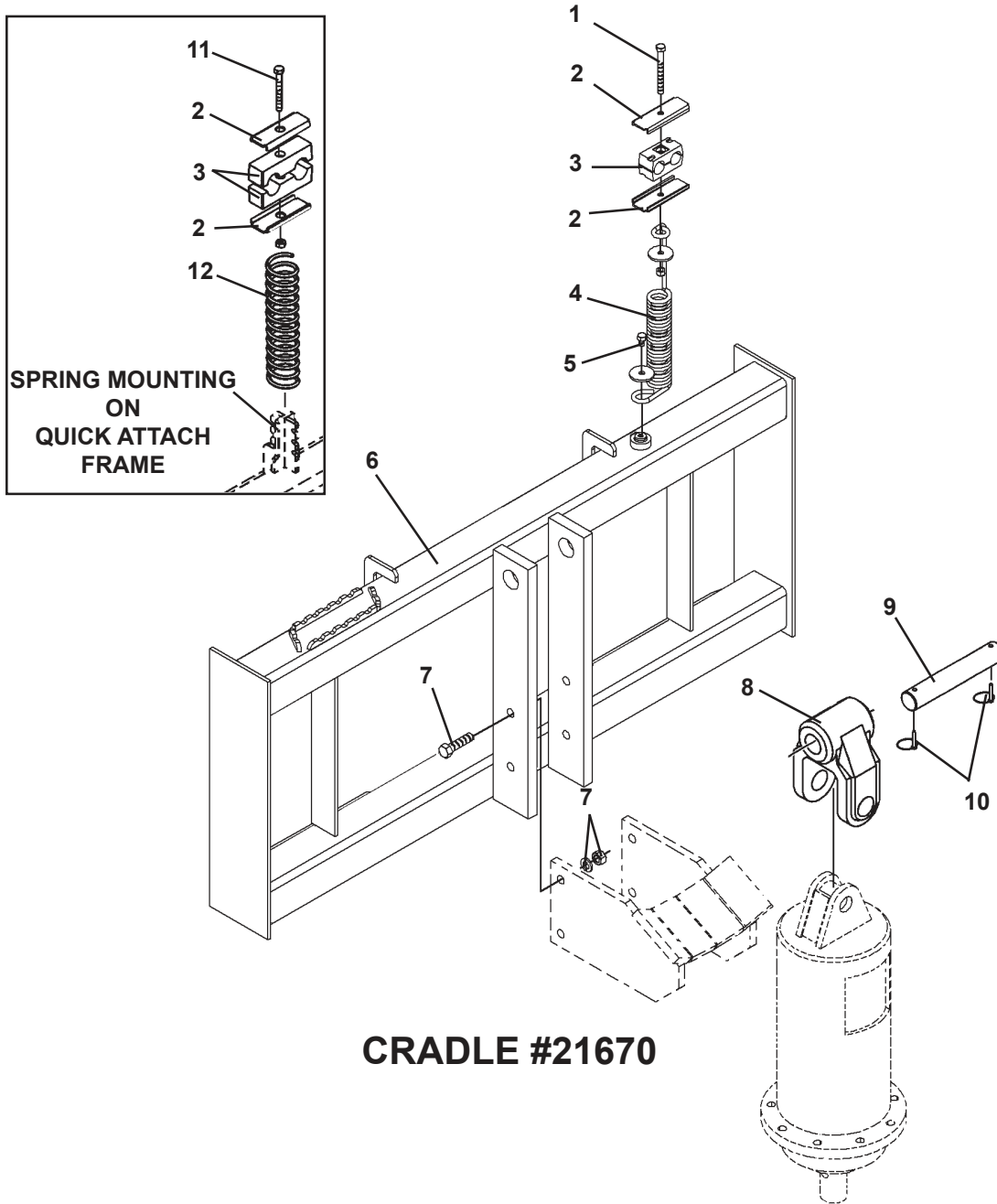


## UNIVERSAL SWIVEL KIT

<u>ITEM</u>	<u>REQ'D</u>	<u>PART NO.</u>	<u>DESCRIPTION</u>
1	1	22255	Swivel Pivot Pin
2	2	21169	Klik Pin
3	1	21694	Swivel

M-1718 11-8-07

# SKID STEER LOADER MOUNTING



**CRADLE #21670**

**AUGER DRIVE**

## SKID STEER LOADER MOUNTING

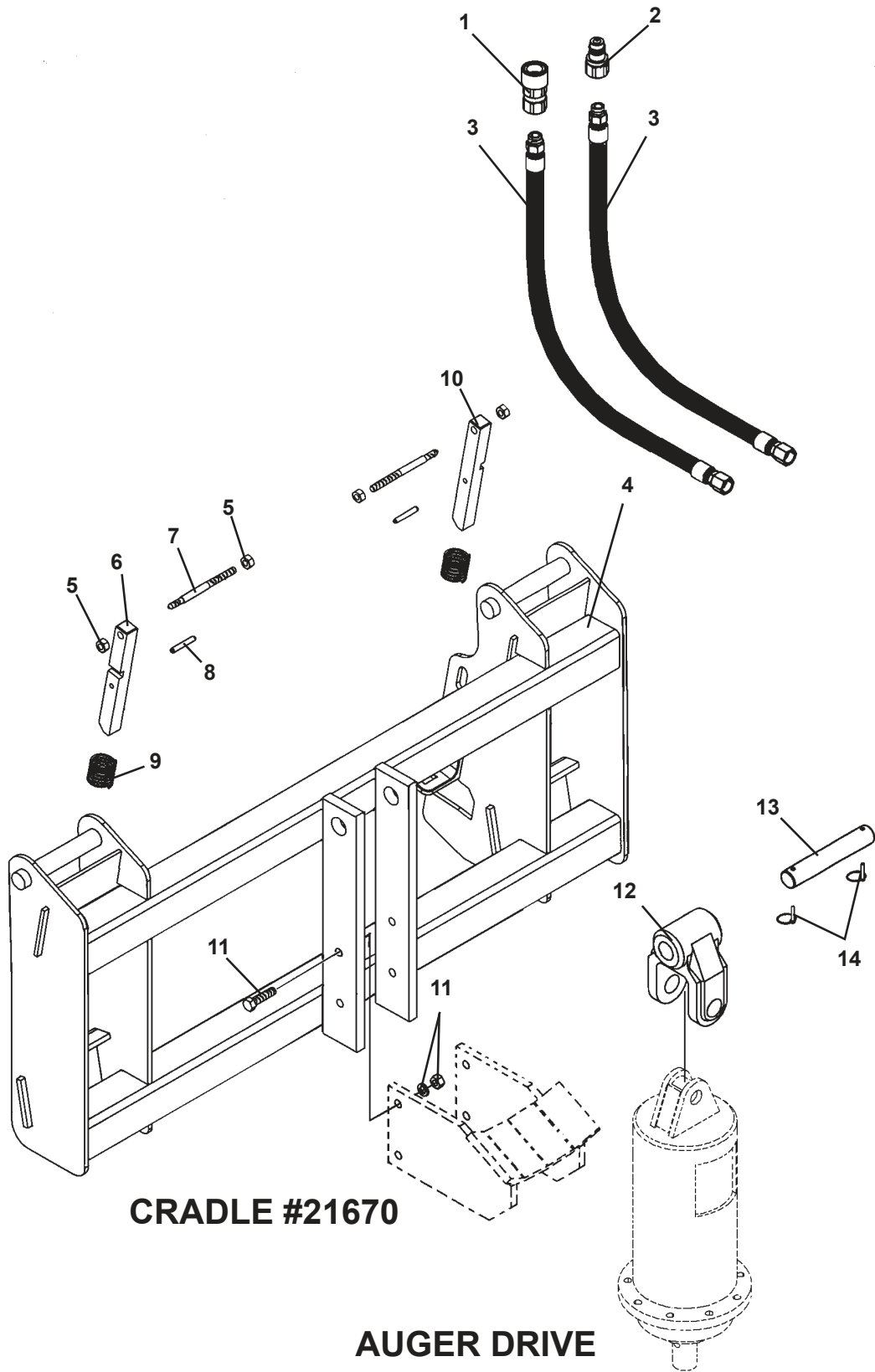
<u>ITEM</u>	<u>REQ'D</u>	<u>PART NO.</u>	<u>DESCRIPTION</u>
1	1	1031	.31" UNC X 3.25" Hex Capscrew
		105840	Fender Washer
		1753	.31" UNC Nylock Hex Nut
2	2	22315	Clamp Plate
3	1	22316	Hose Cushion (.62" Hose)
4	1	RHW8618	Hose Spring
5	1	1020	.31" UNC X .50" Hex Capscrew
		1502	.31" Lock Washer
		105840	Fender Washer
6	1	VARIES*	Quick Attach Mount
		21659	Universal Quick Attach (Shown) - Assembly 21236
		23897	John Deere 570/575 - Assembly 21249
		23897	New Holland L225/325/454/455/464 - Assembly 21249
		23423	Thomas T103/T133 - Assembly 21245
23420	Thomas T173/T233 - Assembly 21241		
7	4	1092	.50" UNC X 2.00" Hex Capscrew
	4	1505	.50" Lock Washer
	4	1228	.50" UNC Hex Nut
8	1	21694	Swivel
9	1	22255	Swivel Pivot Pin
10	2	21169	Klik Pin
11	1	1094	.50" UNC X 2.50" Hex Capscrew - Use with Spring 22288
	1	1790	.50" UNC Serrated Flange Hex Nut - Use with Spring 22288
12	1	22288	Spring

\* New mounts are being designed every day. Contact Factory if your application is not listed.

M-1690 11-8-07

# TRACTOR LOADER MOUNTING

## JOHN DEERE LOADER MOUNTING



**CRADLE #21670**

**AUGER DRIVE**

M-1709 11-26-07

# TRACTOR LOADER MOUNTING

## JOHN DEERE LOADER MOUNTING

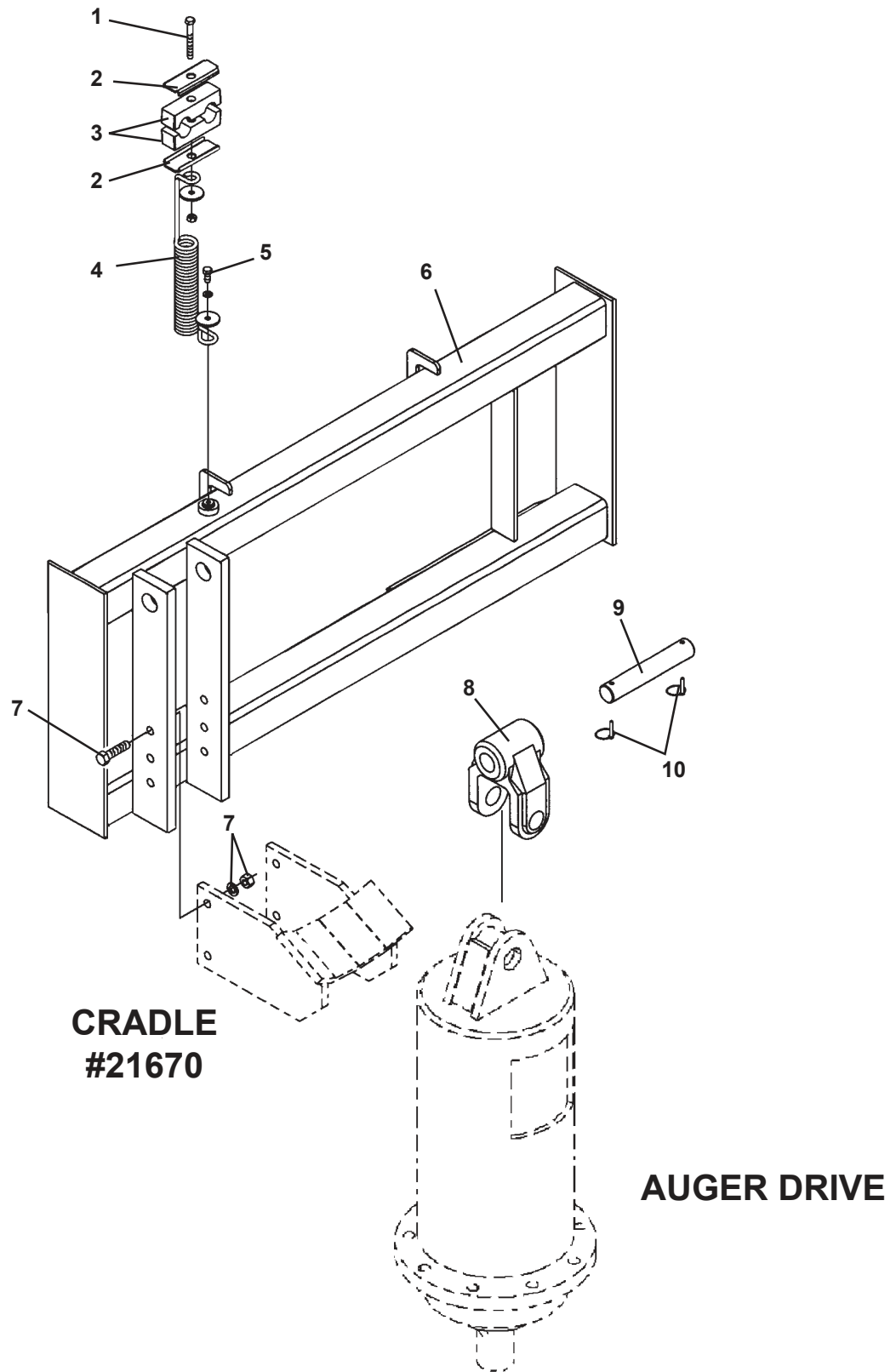
<u>ITEM</u>	<u>REQ'D</u>	<u>PART NO.</u>	<u>DESCRIPTION</u>
1	-	31886	Female Coupler 10FBo .50" Body (Application Specific)
2	-	15512	Male Coupler 10FBo .50" Body (Application Specific)
3	2	38262	Hose .50" X 108" 10MBo-10FJX (Application Specific)
4	1	VARIES* 15278 111334	Quick Attach Mount John Deere 4000 / 5000 John Deere 6000 / 7000
5	4	07-52073	M12 Hex Nut (Used with John Deere 6000 & 7000 Only)
6	1	13-52136	Right Latch Pin (Used with John Deere 6000 & 7000 Only)
7	2	07-10145	Trip Pin (Used with John Deere 6000 & 7000 Only)
8	2	RHW8028	Roll Pin (Used with John Deere 6000 & 7000 Only)
9	2	07-10144	Spring (Used with John Deere 6000 & 7000 Only)
10	1	13-52135	Left Latch Pin (Used with John Deere 6000 & 7000 Only)
11	4	1092	.50" UNC X 2.00" Hex Capscrew
	4	1505	.50" Lock Washer
	4	1228	.50" UNC Hex Nut
12	1	21694	Swivel
13	1	22255	Swivel Pivot Pin
14	2	21169	Klik Pin

\* New mounts are being designed every day. Contact Factory if your application is not listed.

M-1710 11-26-07

# SPECIAL OFFSET MOUNTING

FOR TRACTORS WITH UNIVERSAL SKID STEER QUICK ATTACH



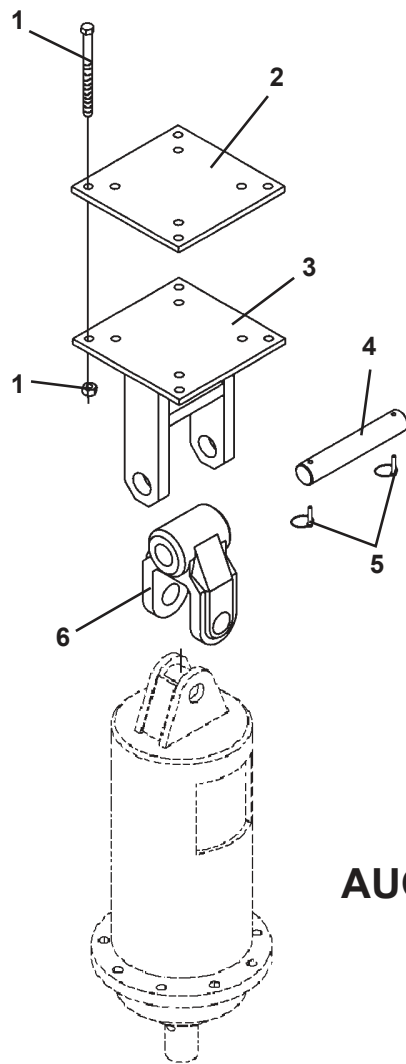
M-1711 11-8-07



**SPECIAL OFFSET MOUNTING**  
FOR TRACTORS WITH UNIVERSAL SKID STEER QUICK ATTACH

<u>ITEM</u>	<u>REQ'D</u>	<u>PART NO.</u>	<u>DESCRIPTION</u>
1	1	1031	.31" UNC X 3.25" Hex Capscrew
		105840	Fender Washer
		1753	.31" UNC Nylock Hex Nut
2	2	22315	Clamp Plate
3	1	22316	Hose Cushion (.62" Hose)
4	1	RHW8618	Hose Spring
5	1	1020	.31" UNC X .50" Hex Capscrew
		1502	.31" Lock Washer
		105840	Fender Washer
6	1	24778	Quick Attach Offset Mount
7	4	1092	.50" UNC X 2.00" Hex Capscrew
		1505	.50" Lock Washer
		1228	.50" UNC Hex Nut
8	1	21694	Swivel
9	1	22255	Swivel Pivot Pin
10	2	21169	Klik Pin

# FRONT END LOADER MOUNTING



**AUGER DRIVE**

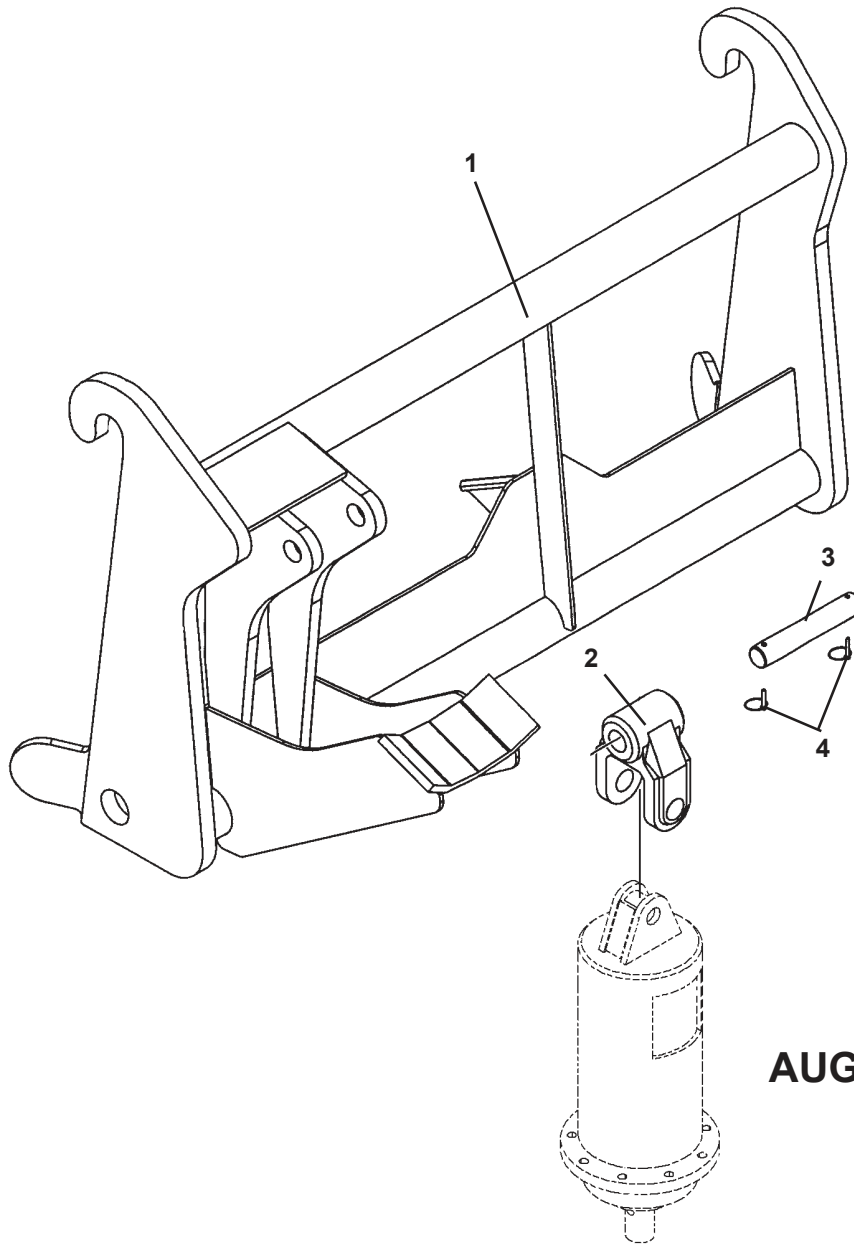
## FRONT END LOADER MOUNTING

<u>ITEM</u>	<u>REQ'D</u>	<u>PART NO.</u>	<u>DESCRIPTION</u>
1	4	1080	.44" UNC X 5.00" Hex Capscrew
	4	1227	.44" UNC Hex Nut
2	1	21449	Clamp Plate
3	1	21628	Loader Bracket
4	1	22255	Swivel Pivot Pin
5	2	21169	Klik Pin
6	1	21694	Swivel

M-1714 11-8-07

# QCP 7000 COUPLER MOUNTING

QUICK ATTACH STYLE MOUNTING



**AUGER DRIVE**

# QCP 7000 COUPLER MOUNTING

## QUICK ATTACH STYLE MOUNTING

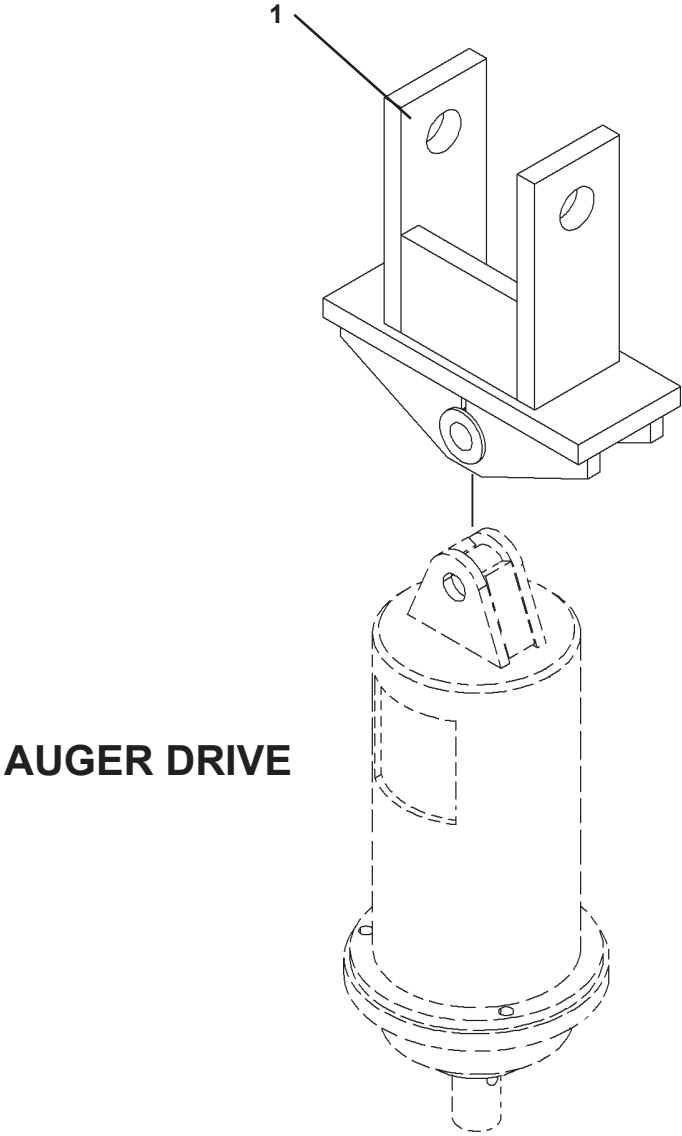
<u>ITEM</u>	<u>REQ'D</u>	<u>PART NO.</u>	<u>DESCRIPTION</u>
1	1	24794	Quick Attach Mount
2	1	21694	Swivel
3	1	22255	Swivel Pivot Pin
4	2	21169	Klik Pin

\* New mounts are being designed every day. Contact Factory if your application is not listed.

M-1716 11-8-07

# DIPPER MOUNTING

## PENDULUM STYLE MOUNTING



## DIPPER MOUNTING

### PENDULUM STYLE MOUNTING

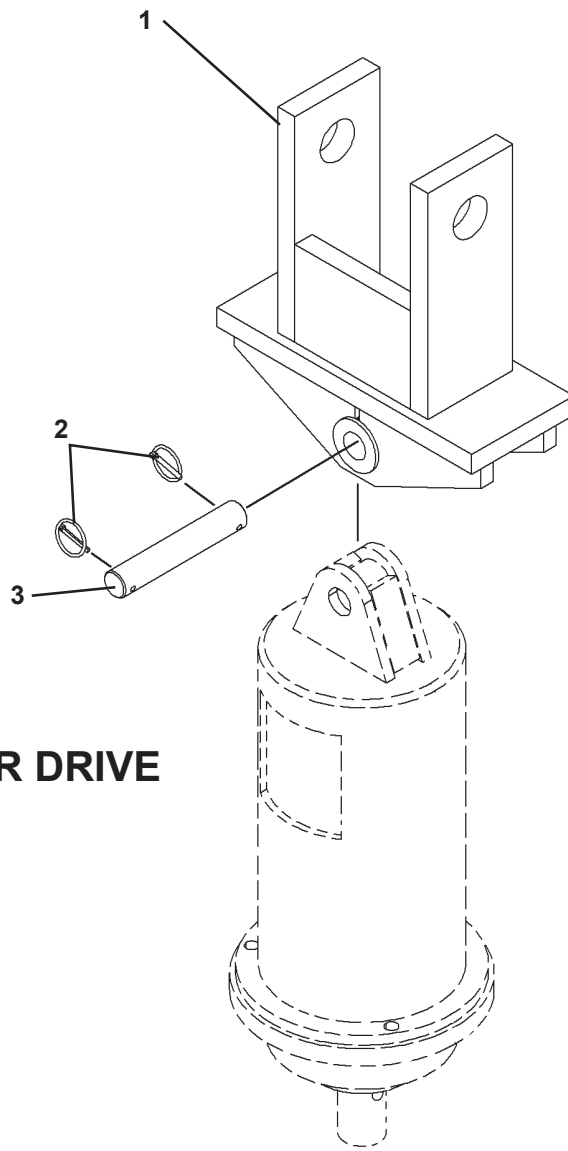
<u>ITEM</u>	<u>REQ'D</u>	<u>PART NO.</u>	<u>DESCRIPTION</u>
1	1	VARIES	Pendulum Mount
		21255	Kubota KH35 / KH41 / KX36 / KX41 / KX41-2
		21258	Kubota KH60 / KH61 / KH66 / KX61 / KX71
		21261	Kubota KH90 / KH01 / KH101 / KX91-2 / KX101 / KX121-2
		21264	Kubota KH151 / KH191 / KX151 / KX161-2
		21267	Kubota KH28 / KH170
		21268	Kubota KX61-2

\* New mounts are being designed every day. Contact Factory if your application is not listed.

M-1692 11-8-07

# DIPPER MOUNTING

## PENDULUM STYLE MOUNTING



**AUGER DRIVE**



## DIPPER MOUNTING

### PENDULUM STYLE MOUNTING

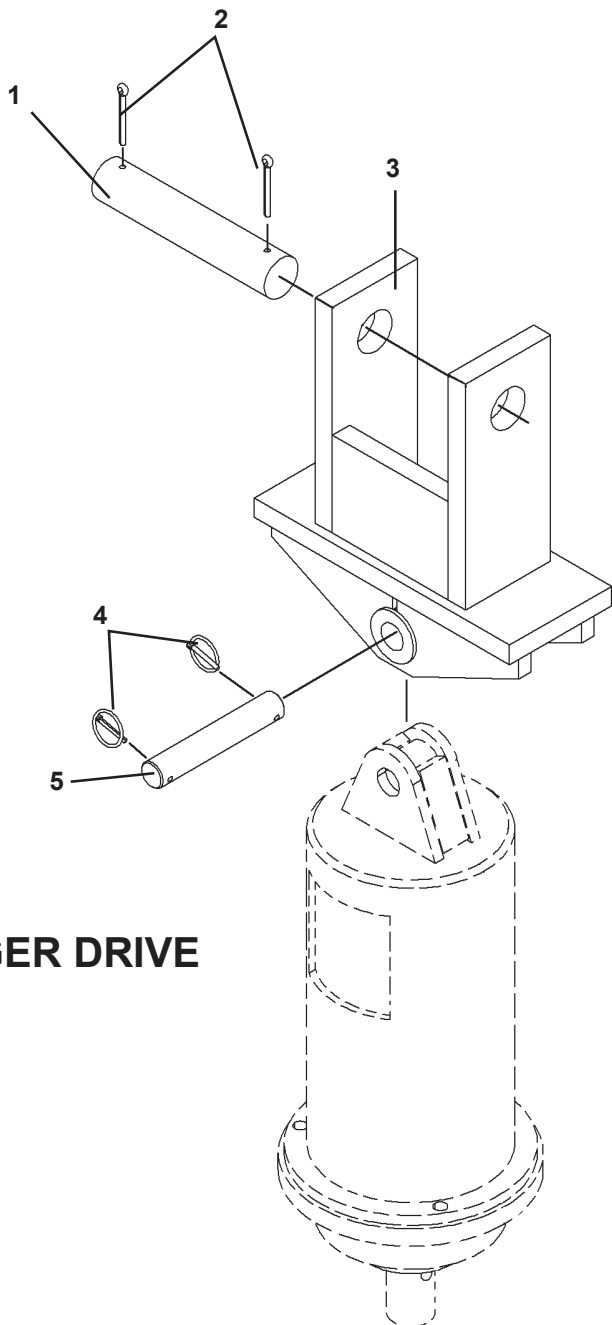
<u>ITEM</u>	<u>REQ'D</u>	<u>PART NO.</u>	<u>DESCRIPTION</u>
1	1	VARIES*	Pendulum Mount
		23234	Case 580/590 - Assembly 21279
		23295	Case 9010B - Assembly 23294
		23395	Caterpillar 312 / 314 - Assembly 23394
		23463	Caterpillar 315 - Assembly 23461
		24472	Caterpillar 320 / E200B & John Deere 200LC - Assembly 24471
		23623	Caterpillar 325 - Assembly 23622
		23272	Caterpillar 416 / 426 / 428 - Assembly 21283
		23287	Caterpillar 446 - Assembly 24005
		23917	Daewoo 5130W Model 5 - Assembly 23916
		23455	Daewoo 170-3 / 170-W - Assembly 23454
		23898	Fermec 760 - Assembly 23899
		23891	Hitachi EX50V - Assembly 23890
		24425	Hitachi UH9 - Assembly 24427
		23896	Hyundai 200 LC - Assembly 23895
		24690	John Deere 120 - Assembly 24689
		23498	John Deere 200C-LC - Assembly 23492
		23271	John Deere 310 / 410 / 510 - Assembly 21281
		23425	John Deere 310D with Quick Coupler - Assembly 23424
		21280	John Deere 310SE / 410E - Assembly 21289
		23386	John Deere 310SE / 410E with Quick Coupler - Assembly 23385
		23567	John Deere 490 - Assembly 23566
		23360	John Deere 710D - Assembly 23359
		23606	Kobelco SK025 - Assembly 23605
		23782	Kobelco SK200 Mark 2 / Mark 4 - Assembly 23781
		23291	Kobelco SR35 - Assembly 23290
		23555	Komatsu PC100 - Assembly 23554
		23282	Komatsu PC60 - Assembly 23281
		23558	Komatsu PC95 / PC78 (PC75UU?) - Assembly 23557
		23902	Linkbelt 2650C - Assembly 23901
		23270	New Holland 400 / 500 / 600 / 700 - Assembly 21285
		24635	Volvo BL70 - Assembly 24634
		23475	Volvo EX140 - Assembly 23471
2	2	21169	Klik Pin
3	1	22255	Auger Pivot Pin

\* New mounts are being designed every day. Contact Factory if your application is not listed.

M-1694 11-8-07

# DIPPER MOUNTING

## PENDULUM STYLE MOUNTING



**AUGER DRIVE**

## DIPPER MOUNTING

### PENDULUM STYLE MOUNTING

<u>ITEM</u>	<u>REQ'D</u>	<u>PART NO.</u>	<u>DESCRIPTION</u>	
1	1	VARIES	Pendulum Pivot Pin (Diameter X Effective Length)	
		23789	Pin, 1.38" X 8.05"	
		24029	Pin, 1.77" X 10.13"	
		24402	Pin, 1.38" X 7.32"	
		23927	Pin, 1.58" X 7.63"	
		23993	Pin, 1.58" X 8.40"	
		24639	Pin, 1.50" X 7.48"	
		24415	Pin, 1.18" X 6.44	
		23922	Pin, 1.58" X 9.13"	
		24732	Pin, 1.91" X 11.66"	
		24633	Pin, 1.38" X 8.32"	
		23982	Pin, 1.38" X 7.97"	
		23943	Pin, 1.77" X 8.75"	
		23989	Pin, 1.58" X 7.78"	
		23922	Pin, 1.58" X 9.13"	
		24556	Pin, 1.38" X 7.57"	
		24907	Pin, 1.77" X 10.50"	
		24555	Pin, 1.58" X 7.31"	
		23999	Pin, 1.97" X 10.31"	
		24954	Pin, 1.97" X 10.126"	
24947	Pin, 2.17" X 9.62"			
24941	Pin, 2.36" X 11.38"			
2	2	1729	Cotter Pin .25"	
		1	10040	Safety Pin (Use with Pin #23789)
		2	10050	Cotter Pin .31" (Use with Pin #24907)
3	1	VARIES*	Pendulum Mount	
		23787	Bobcat 325 - Assembly 23786	
		24721	Bobcat 442 - Assembly 24720	
		24400	Case CX25 - Assembly 24399	
		24952	Case CX80 - Assembly 24955	
		23926	Caterpillar 3035 - Assembly 23925	
		23991	Caterpillar 3045 - Assembly 23990	
		23699	Caterpillar 307 / 308 / E70B - Assembly 23698	
		24638	Earth Force EF4 - Assembly 24637	
		24945	Gehl 803 - Assembly 24944	
		24766	Hitachi EX75ER5 - Assembly 24765	
		24413	IHI 17NE / 18J - Assembly 24412	
		23920	JCB 8052 / 8060 - Assembly 23919	
		24729	John Deere 310SG - Assembly 24728	
		23519	Komatsu PC35 & Bobcat 337 - Assembly 23518	
		23981	Komatsu PC30 MRX-1 - Assembly 23980	
		24532	Komatsu PC50 MR-2 - Assembly 24531	
		24970	Kubota KX080 - Assembly 24939	
		23987	New Holland EC35 - Assembly 23986	
		24468	New Holland EC45 (Komatsu WB140?) - Assembly 24467	
24549	New Holland EC25 & JCB 8032Z - Assembly 24548			
24529	New Holland LB75 / 90 / 110 / 115 - Assembly 24528			
23941	Samsung SE50 & Bobcat 341 - Assembly 23940			
24553	Takeuchi TB135 & Volvo EC35 - Assembly 24552			
109933	Takeuchi TB070 / TB175 / TB180 - Assembly 109934			
23997	Yanmar VI070 - Assembly 23996			
4	2	21169	Klik Pin	
5	1	22255	Auger Pivot Pin	

\* New mounts are being designed every day. Contact Factory if your application is not listed.

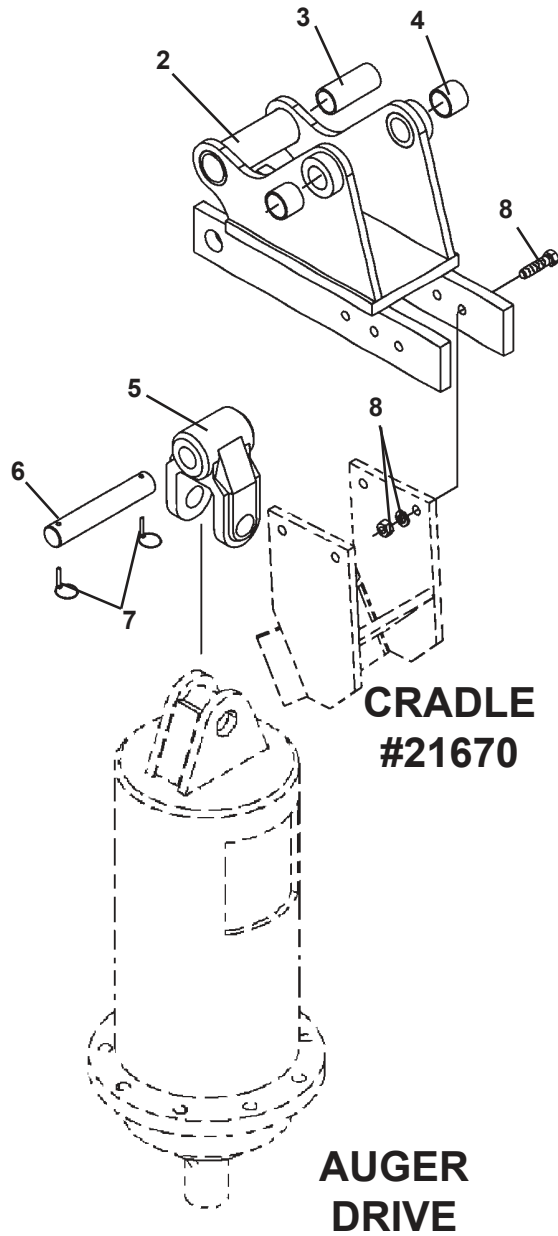
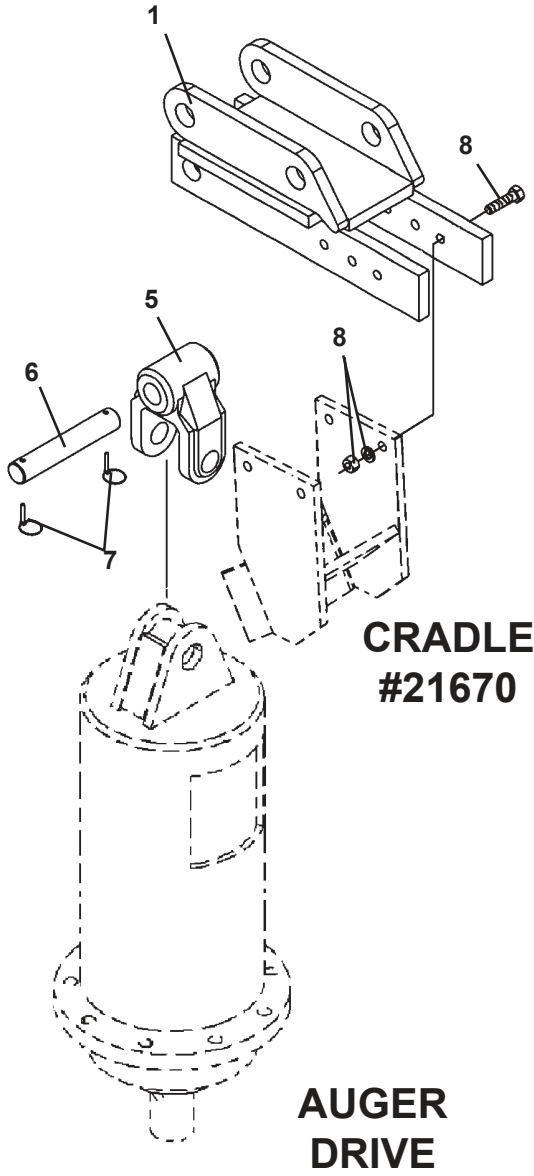
M-1696 11-8-07

# BRADCO BACKHOE DIPPER MOUNTING

BRADCO BACKHOE DIPPER MOUNTING

## 375/3375/408 BACKHOES

## 509/511/609/611 BACKHOES



# BRADCO BACKHOE DIPPER MOUNTING

## BRADCO BACKHOE DIPPER MOUNTING

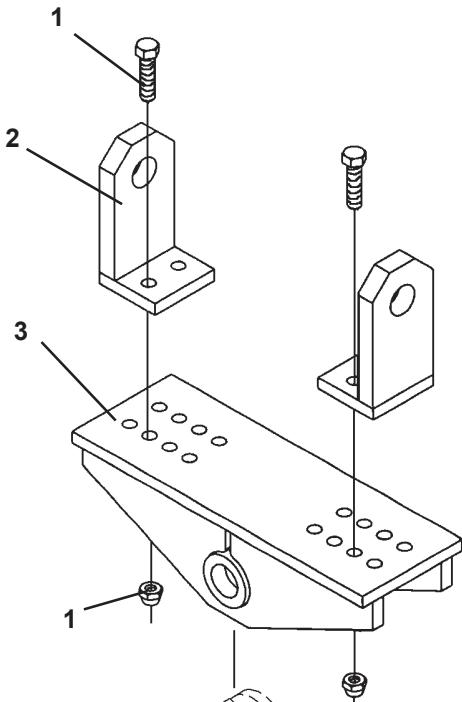
<u>ITEM</u>	<u>REQ'D</u>	<u>PART NO.</u>	<u>DESCRIPTION</u>
1	1	23929	375/3375/408 Backhoe Dipper Mount - Assembly 23930
2	1	23443	509/511/609/611 Backhoe Dipepr Mount - Assembly 23561
3	1	68482	Sleeve (Use with 23443 Mount)
4	2	6355	Bushing (Use with 23443 Mount)
5	1	21694	Swivel
6	1	22255	Swivel Pivot Pin
7	2	21169	Klik Pin
8	4	1092	.50" UNC X 2.00" Hex Nut
	4	1505	.50" Lock Washer
	4	1228	.50" UNC Hex Nut

\* New mounts are being designed every day. Contact Factory if your application is not listed.

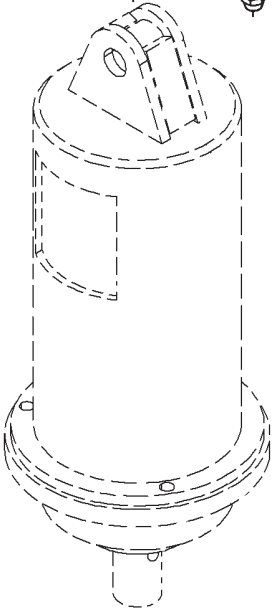
M-1698 11-8-07

# MINI EXCAVATOR & SMALL BACKHOE MOUNTING

ADJUSTABLE PENDULUM STYLE MOUNTING



## AUGER DRIVE



**MINI EXCAVATOR & SMALL BACKHOE MOUNTING**  
**ADJUSTABLE PENDULUM STYLE MOUNTING**

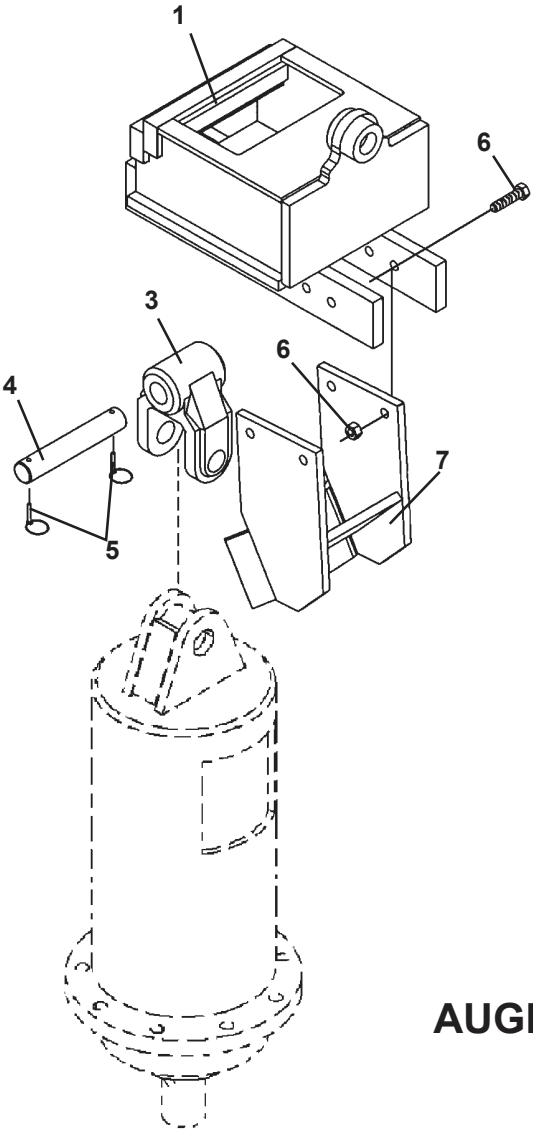
<u>ITEM</u>	<u>REQ'D</u>	<u>PART NO.</u>	<u>DESCRIPTION</u>
1	4	1091	.50" UNC X 1.75" Hex Capscrew
	4	1841	.50" UNC Deformed Lock Nut
2	2	VARIES*	Adjustable Adapter
		21673	For 25mm Diameter Bucket Pin - Assembly 21226
		21674	For 1.00" Diameter Bucket Pin - Assembly 21234
		21675	For 30mm Diameter Bucket Pin - Assembly 21229
		21676	For 1.25" Diameter Bucket Pin - Assembly 21224
		21677	For 35mm/1.38" Diameter Bucket Pin - Assembly 21225
		21679	For 1.50" Diameter Bucket Pin - Assembly 21223
		21680	For 40mm Diameter Bucket Pin - Assembly 21230
		21682	For 1.75" Diameter Bucket Pin - Assembly 21228
		21683	For 45mm Diameter Bucket Pin - Assembly 21231
21684	For 50mm/2.00" Diameter Bucket Pin - Assembly 21232		
3		21626	Auger Mounting Base

\* New mounts are being designed every day. Contact Factory if your application is not listed.

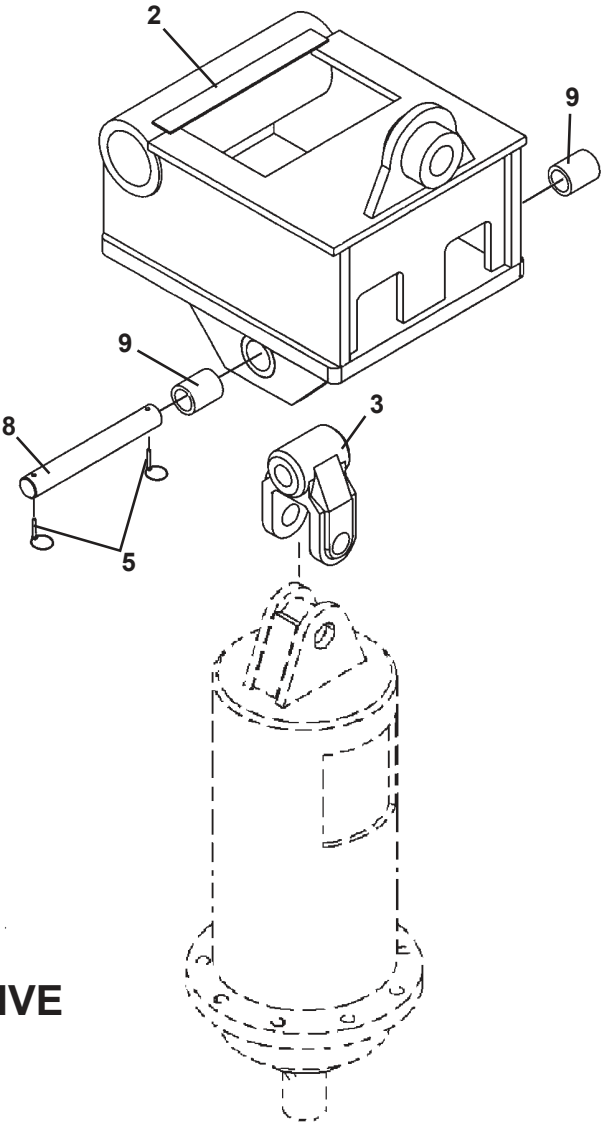
M-1700 11-8-07

**TLB & EXCAVATOR MOUNTING**  
QUICK HITCH COUPLER STYLE MOUNTING

**CRADLE STYLE**



**PENDULUM STYLE**



**AUGER DRIVE**



## TLB & EXCAVATOR MOUNTING

### QUICK HITCH COUPLER STYLE MOUNTING

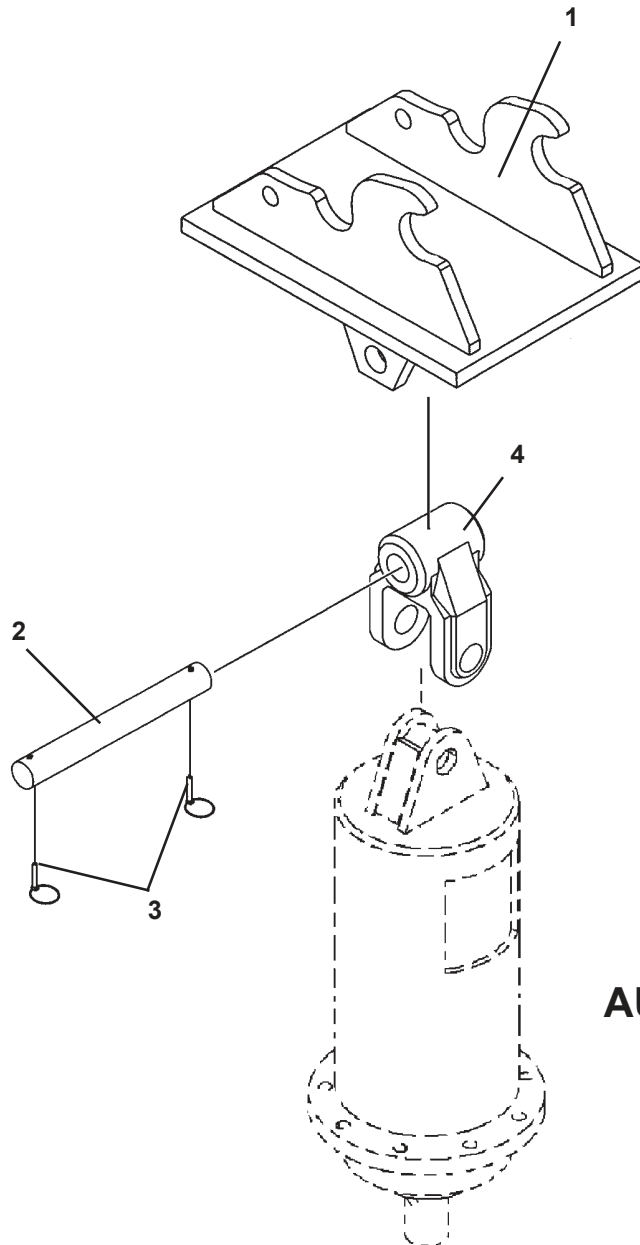
<u>ITEM</u>	<u>REQ'D</u>	<u>PART NO.</u>	<u>DESCRIPTION</u>
1	1	VARIES* 23363 108904	Quick Hitch Coupler Mount (Cradle Style) C & P #027 Quick Hitch - Assembly 23362 WainRoy HDM 30/45 - Assembly 108903
2	1	VARIES* 23436 23437 24831	Quick Hitch Coupler Mount (Pendulum Style) C & P #030 Quick Hitch - Assembly 23435 C & P #034 / #036 Quick Hitch - Assembly 23439 Bobcat Excavator Xchange QA - Assembly 24829
3	1	21694	Swivel
4	1	22255	Swivel Pivot Pin
5	2	21169	Klik Pin
6	4 4	1092 1228	.50" UNC X 2.00" Hex Capscrew .50" UNC Hex Nut
7	1	21670	Cradle
8	1	23431	Swivel Pivot Pin
9	2	23432	Bushing

\* New mounts are being designed every day. Contact Factory if your application is not listed.

M-1702 11-8-07

# EXCAVATOR MOUNTING

## QUICK ATTACH STYLE MOUNTING



**AUGER DRIVE**

## EXCAVATOR MOUNTING

### QUICK ATTACH STYLE MOUNTING

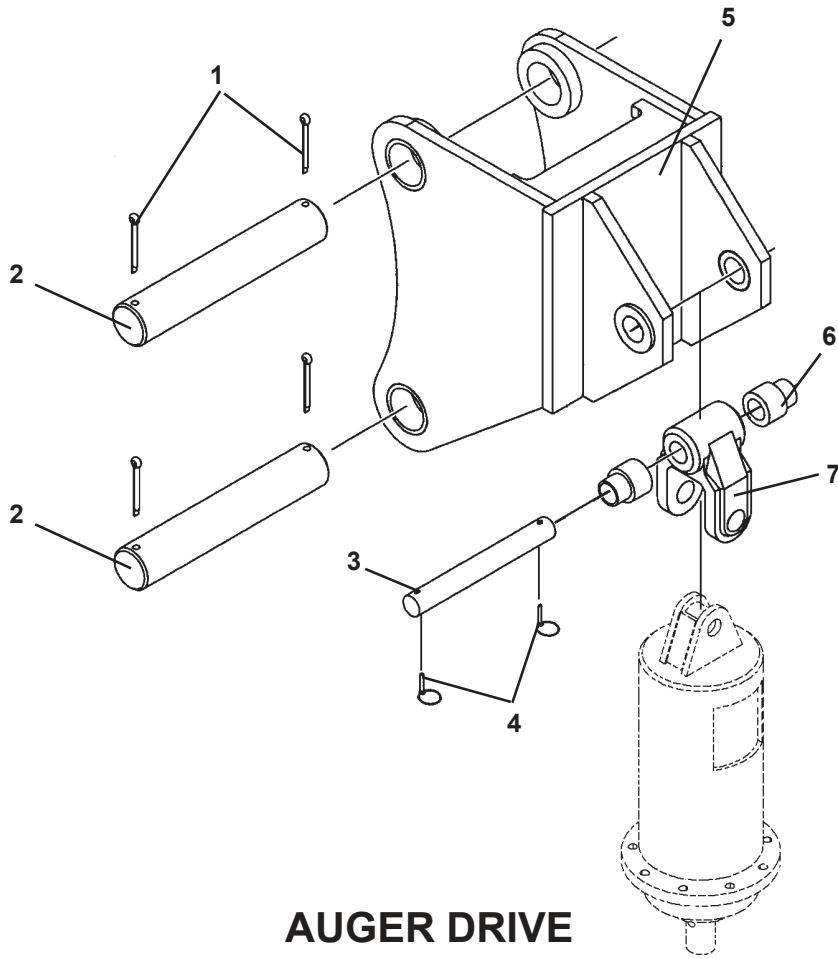
<u>ITEM</u>	<u>REQ'D</u>	<u>PART NO.</u>	<u>DESCRIPTION</u>
1	1	VARIES*	Quick Attach Mount
		24926	Kubota U25 with Quick Coupler - Assembly 24925
		24750	Kubota KX41-3 / U15 with Quick Coupler - Assembly 24749
		16665	Kubota KX71-3 / KX91-3 / KX121-3 / U35 with Quick Coupler - Assembly 24282
		24449	Kubota KX161-3 / U45 with Quick Coupler - Assembly 24450
2	1	22255	Swivel Pivot Pin
3	2	21169	Klik Pin
4	1	21694	Swivel

\* New mounts are being designed every day. Contact Factory if your application is not listed.

M-1704 11-8-07

# TLB & EXCAVATOR MOUNTING

## PIN GRABBER STYLE MOUNTING



**AUGER DRIVE**

## TLB & EXCAVATOR MOUNTING

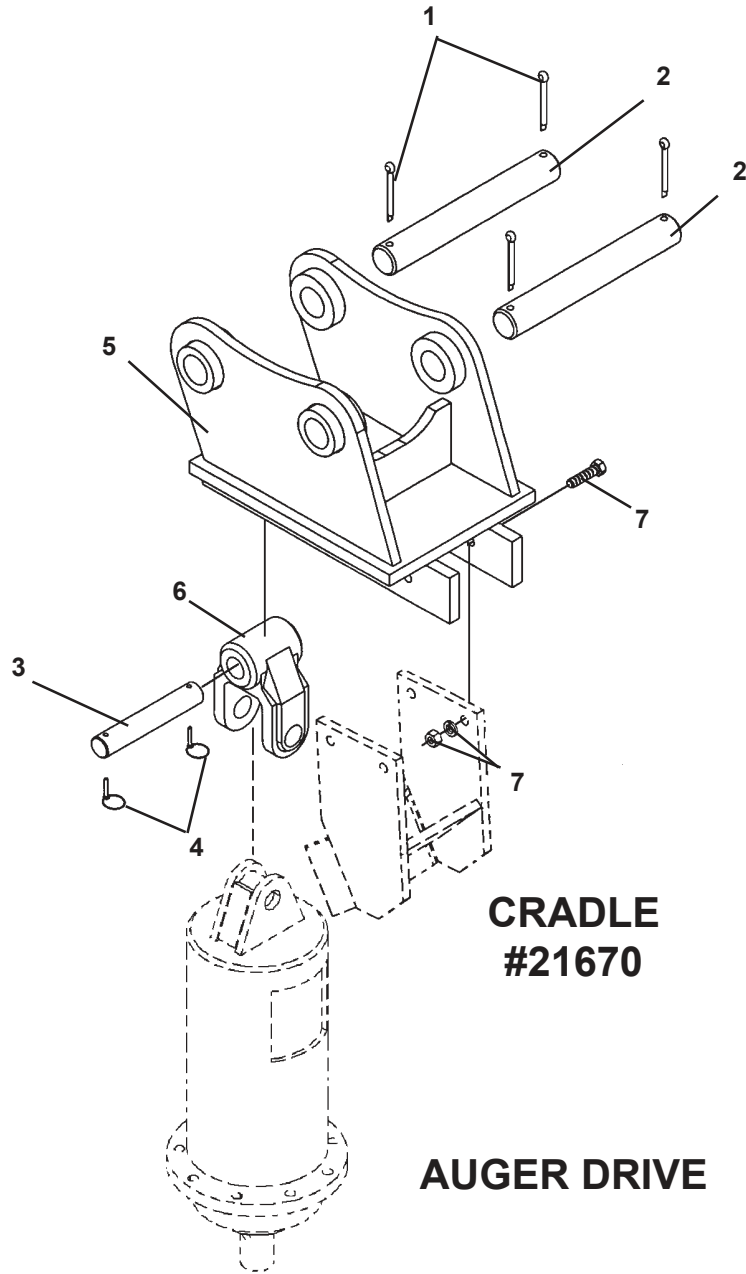
### PIN GRABBER STYLE MOUNTING

<u>ITEM</u>	<u>REQ'D</u>	<u>PART NO.</u>	<u>DESCRIPTION</u>
1	4	10050	Cotter Pin (.31" X 4.00")
	2	10040	Safety Pin (.31" X 2.50") (Use with Pivot Pin #24410, 24959, 24840 & #17918 only.)
2	2	VARIES	Pin Grabber Pivot Pin (Diameter X Effective Length)
		24933	Pin, 2.50" X 12.83"
		23938	Pin, 1.77" X 13.25"
		23939	Pin, 1.97" X 13.25"
		23945	Pin, 3.15" X 15.44"
		24619	Pin, 1.52" X 11.25"
		24620	Pin, 1.77" X 11.25"
		24097	Pin, 2.15" X 11.25"
		24465	Pin, 1.95" X 11.25"
		23853	Pin, 1.97" X 11.25"
		23854	Pin, 2.17" X 11.25"
		24410	Pin, 1.77" X 9.06"
		23881	Pin, 2.75" X 16.00"
		17918	Pin, 1.38" X 7.75"
		24959	Pin, 1.77" X 9.67"
		24840	Pin, 1.97" X 10.92"
3	1	VARIES	Swivel Pivot Pin (Diameter X Effective Length)
		23855	Pin, 1.25" X 9.00"
		22255	Pin, 1.25" X 6.00"
4	2	21169	Klik Pin
5	1	VARIES*	Pin Grabber Mount
		24957	Caterpillar 308 - Assembly 24956
		24932	Caterpillar 311 / 312 - Assembly 109772
		24375	Caterpillar 416C / 420C / 436B - Assembly 24374
		23936	Caterpillar 420D / 416D / 430D - Assembly 23937
		23944	John Deere 160 - Assembly 23887
		24786	John Deere 200 CLC with BMP Quick Attach - Assembly 24785
		24618	John Deere 310G - Assembly 24617
		24093	John Deere 310SE / 310SG / 410E / 410G - Assembly 24092
		23852	John Deere 310SE / 310SG / 410E / 410G with JD Universal Coupler- Assembly 23796
		24407	Komatsu PC58UU-3 - Assembly 24406
		23876	Linkbelt LS2800C2 - Assembly 23874
		24366	New Holland LB 75 / 90 / 110 / 115 - Assembly 24365
		24404	Yanmar VI027 / VI035 - Assembly 24403
24461	Yanmar VI040 / VI050 / VI045 / VI055 - Assembly 24460		
24838	Yanmar VI075 / B7 / SV100 - Assembly 24837		
6	2	23856	Step Bushing (Not used with Swivel Pivot Pin #22255)
7	1	21694	Swivel

\* New mounts are being designed every day. Contact Factory if your application is not listed.

M-1706 11-8-07

**TLB & EXCAVATOR MOUNTING**  
PIN GRABBER STYLE MOUNTING (CRADLE READY)



## TLB & EXCAVATOR MOUNTING

### PIN GRABBER STYLE MOUNTING (CRADLE READY)

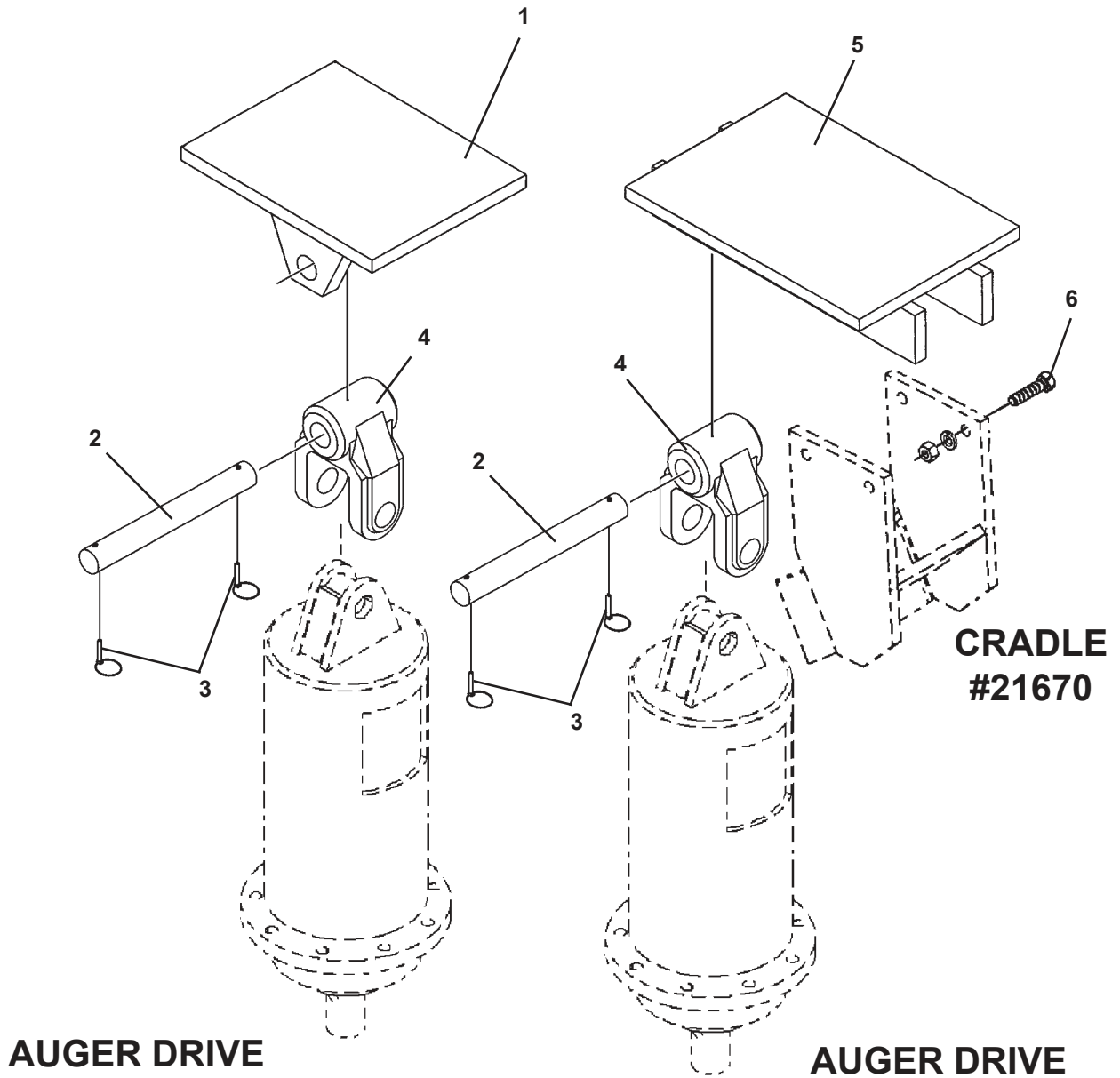
<u>ITEM</u>	<u>REQ'D</u>	<u>PART NO.</u>	<u>DESCRIPTION</u>
1	4	10050	Cotter Pin (.31" X 4.00")
	4	1729	Cotter Pin (.25" X 2.50") (Use with Pivot Pin 107779, 23982 & 24954)
	4	1786	Cotter Pin (.19" X 3.00") (Use with Pivot Pin 110722)
	2	10040	Safety Pin (.31" X 2.50") (Use with Pivot Pin 100010 & 17918 only.)
	2	1058	.38" UNC X 5.50" Capscrew (Use with Pivot Pin 24855 only)
	1	1048	.38" UNC X 2.25" Capscrew (Use with Pivot Pin 23839)
	2	1837	.38" UNC Deformed Lock Nut (Use with Pivot Pin 24855 only)
	2	2	VARIES
100010			Pin, 1.58" X 7.75"
24373			Pin, 1.77" X 11.25"
24727			Pin, 1.75" X 10.94"
24097			Pin, 2.15" X 11.25"
24465			Pin, 1.95" X 11.25"
24737			Pin, 2.50" X 12.25"
107779			Pin, 1.38" X 10.25"
110722			Pin, 2.63" X 14.00"
109493			Pin, 1.38" X 9.57"
23982			Pin, 1.38" X 7.97"
24907			Pin, 1.77" X 10.50"
24029			Pin, 1.77" X 10.12"
24954			Pin, 1.96" X 12.12"
24855			Pin, 3.15" X 15.85"
23839			Pin, 1.50" X 8.75"
3			1
4	2	21169	Klik Pin
5	1	VARIES*	Pin Grabber Mount
		24850	Case CX160 / 155CE - Assembly 24849
		105450	Case 580M / 590M (with Cradle) - Assembly 105455
		110771	Caterpillar 303.5 - Assembly 110770
		109231	Caterpillar 307 / 308 - Assembly 109230
		24725	JCB 214 - Assembly 24724 (Includes Cradle)
		110762	John Deere 310SE - Assembly 110761
		24734	Kobelco SK115SR0Z - Assembly 24733 (Includes Cradle)
		24976	Komatsu 146 - Assembly 24975
		110200	Komatsu PC27MR-2 - Assembly 110212
		24370	Komatsu PC45R-8E - Assembly 24369
		110719	Komatsu PC138 - Assembly #110718
		109491	Kubota R520BH - Assembly 109490
		24898	Kubota 45SR - Assembly 24897
		24972	Kubota 161-3 - Assembly 24971
24874	New Holland EC25 (with Cradle) - Assembly 24873		
6	1	21694	Swivel
7	4	1092	.50" UNC X 2.00" Hex Capscrew
	4	1505	.50" Lock Washer
	4	1228	.50" UNC Hex Nut

\* New mounts are being designed every day. Contact Factory if your application is not listed.

M-1708 11-8-07

# EXCAVATOR MOUNTING

## WELD ON MOUNTING



**AUGER DRIVE**

**AUGER DRIVE**



# EXCAVATOR MOUNTING

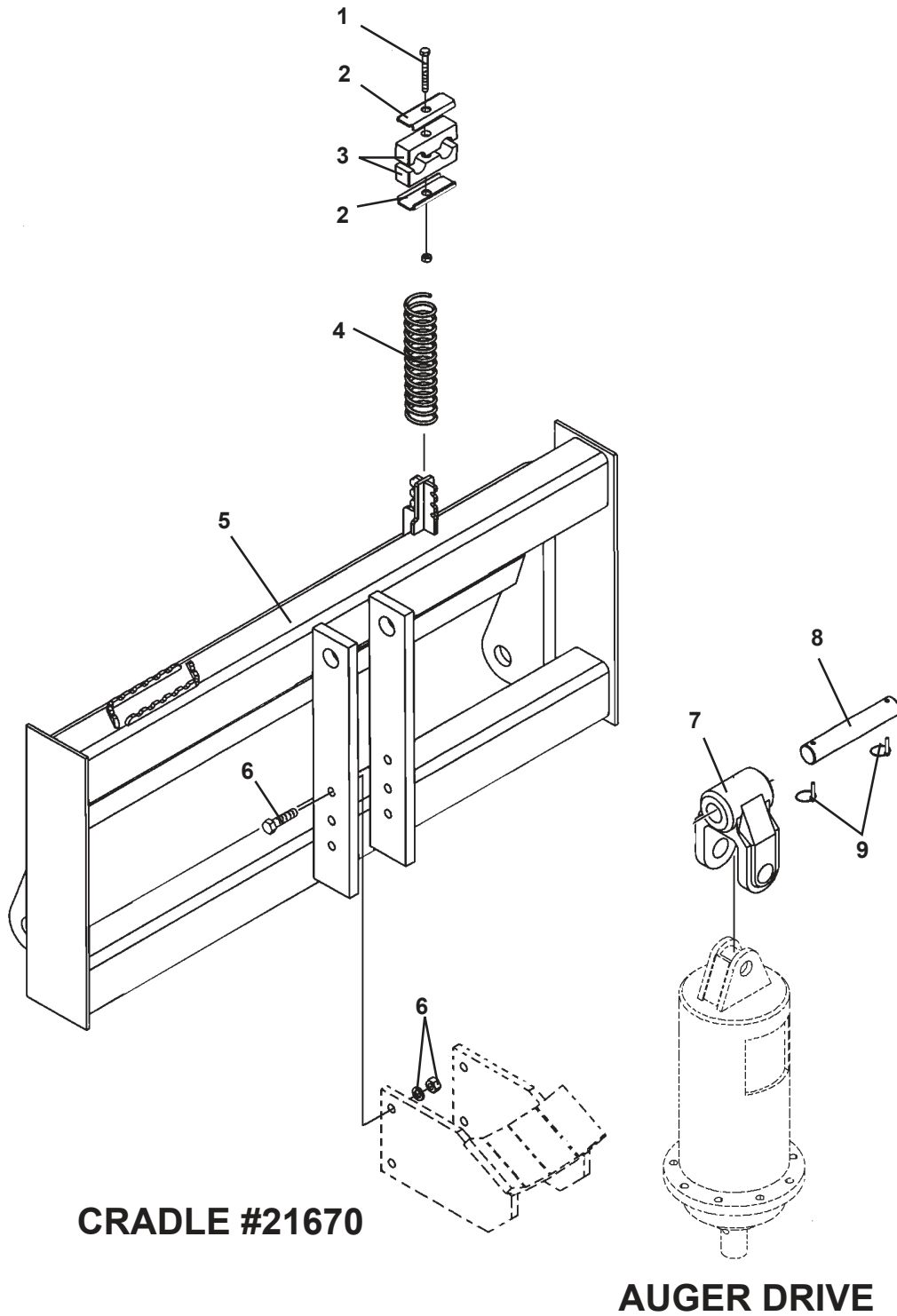
## WELD ON MOUNTING

<u>ITEM</u>	<u>REQ'D</u>	<u>PART NO.</u>	<u>DESCRIPTION</u>
1	1	24464	Universal Weld-On Mounting Plate - Pivot
2	1	22255	Swivel Pivot Pin
3	2	21169	Klik Pin
4	1	21694	Swivel
5	1	24616	Universal Weld-On Mounting Plate - Cradle Ready
6	4	1092	.50" UNC X 2.00" Hex Capscrew
	4	1505	.50" Lock Washer
	4	1228	.50" UNC Hex Nut

M-1720 11-21-07

# WHEEL LOADER MOUNTING

## WHEEL LOADER MOUNTING



**CRADLE #21670**

**AUGER DRIVE**

# WHEEL LOADER MOUNTING

## WHEEL LOADER MOUNTING

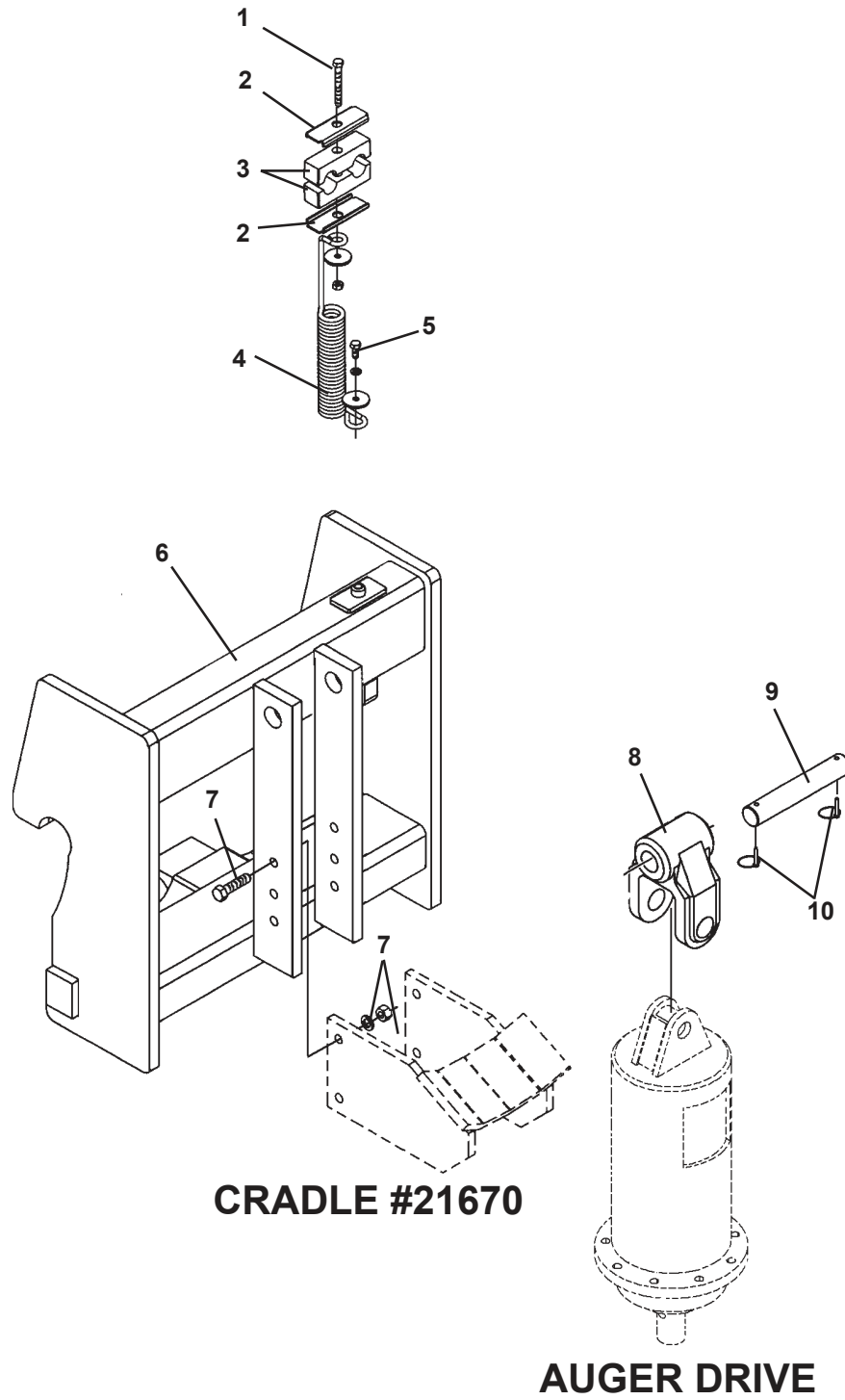
<u>ITEM</u>	<u>REQ'D</u>	<u>PART NO.</u>	<u>DESCRIPTION</u>
1	1	1030 1753	.31" UNC X 3.00" Hex Capscrew .31" UNC Nylock Hex Nut
2	2	22315	Clamp Plate
3	1	22316	Hose Cushion
4	1	22288	Hose Clamp Spring
5	1	VARIES* 23248  103792 23268	Quick Attach Mount Caterpillar IT/TH (Mounting Includes (2) Stop Blocks 21336, 1139 Capscrews and 1518 Washers) - Assembly 21247 Caterpillar 902 / 906 / 908 - Assembly 103804 Kubota R400 / R410 / R510 / R520 - Assembly 21244
6	4 4 4	1092 1505 1228	.50" UNC X 2.00" Hex Capscrew .50" Lock Washer .50" UNC Hex Nut
7	1	21694	Swivel
8	1	22255	Swivel Pivot Pin
9	2	21169	Klik Pin

\* New mounts are being designed every day. Contact Factory if your application is not listed.

M-1722 11-8-07

# WHEEL LOADER MOUNTING

## WHEEL LOADER MOUNTING



## WHEEL LOADER MOUNTING

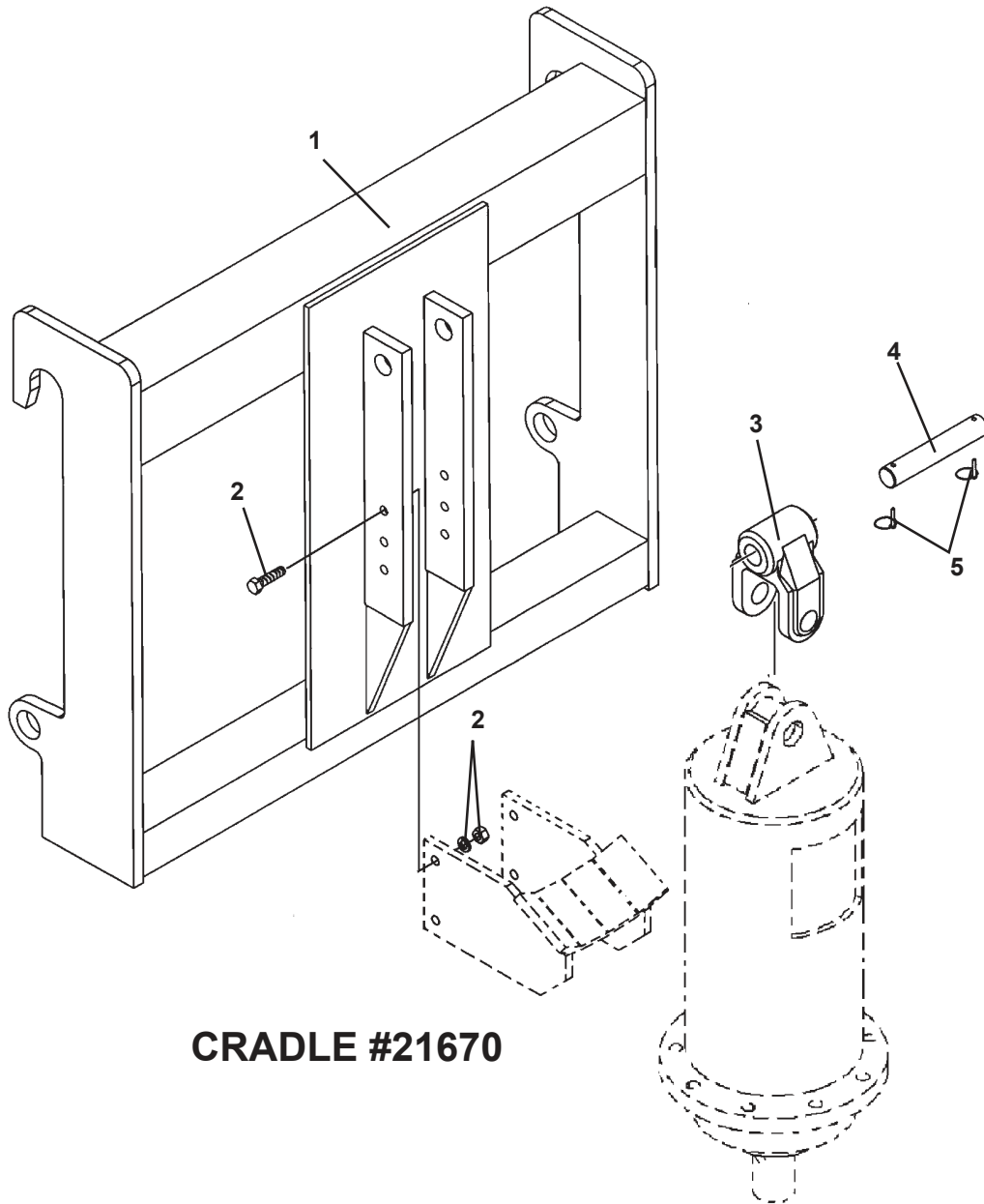
### WHEEL LOADER MOUNTING

<u>ITEM</u>	<u>REQ'D</u>	<u>PART NO.</u>	<u>DESCRIPTION</u>
1	1	1030	.31" UNC X 3.00" Hex Capscrew
		105840	Fender Washer
		1753	.31" UNC Nylock Hex Nut
2	2	103184	Clamp Plate (Use with 103182 Hose Cushions)
		22315	Clamp Plate (Use with 22316 & 22317 Hose Cushions)
3	1	103182	Hose Cushion (.50" Hose)
		22316	Hose Cushion (.62" Hose)
		22317	Hose Cushion (.75" Hose)
4	1	RHW8618	Hose Spring
5	1	1020	.31" UNC X .50" Hex Capscrew
		1502	.31" Lock Washer
		105840	Fender Washer
6	1	VARIES*	Quick Attach Mount
		24830	Caterpillar IT38 / IT62 - Assembly 12881
		107128	JLG / Gradall "C" and "D" Series Hitch - Assembly 12929
		106785	JLG / Gradall "G" Series Hitch - Assembly 12914
		25851	JCB 212S Q-Fit - Assembly 25858
		23735	JCB 407-409 - Assembly 23740
		24844	JCB 520 - Assembly 24843
		103807	JRB 416 Series Hltch - 103806
		23735	John Deere 244 - Assembly 23740
		110427	Pettibone 8044 - Assembly 13058
7	4	1092	.50" UNC X 2.00" Hex Capscrew
		1505	.50" Lock Washer
		1228	.50" UNC Hex Nut
8	1	21694	Swivel
9	1	22255	Swivel Pivot Pin
10	2	21169	Klik Pin

\* New mounts are being designed every day. Contact Factory if your application is not listed.

# TELEHANDLER MOUNTING

## TELEHANDLER STYLE MOUNTING



**CRADLE #21670**

**AUGER DRIVE**

## TELEHANDLER MOUNTING

### TELEHANDLER STYLE MOUNTING

<u>ITEM</u>	<u>REQ'D</u>	<u>PART NO.</u>	<u>DESCRIPTION</u>
1	1	VARIES*	Quick Attach Mount
		24068	Bobcat V518/V523 - JCB 530 Q-Fit - NH Versattach - Assembly 24067
		16173	Carelift ZB 10044 / 10055 - Assembly 16174
		15996	Ingersol Rand VR518 / VR623 - Assembly 15995
		16154	JCB 506 / 508 - Trak Q-Hitch - Assembly 12402
		24379	JCB 526 Q-Fit - Assembly 24378
		24436	John Deere 3200 / 3400 - Assembly 24437
		23185	NH Versatile 276 / 9030 - Assembly 21254
15403	NH TV140 - Assembly 15775		
2	4	1092	.50" UNC X 2.00" Hex Capscrew
		1505	.50" Lock Washer
		1228	.50" UNC Hex Nut
3	1	21694	Swivel
4	1	22255	Swivel Pivot Pin
5	2	21169	Klik Pin

\* New mounts are being designed every day. Contact Factory if your application is not listed.

M-1726 11-8-07