



Marv Haugen Enterprises
1851 Heartland Ave.
Casselton, ND 58012
Toll Free 877-580-6218
Phone: 701-347-4827 Fax: 701-347-4830

Skid-Steer Industrial Jib

Model # MIJ-SKD

Operator's Installation and Safety Manual



DOC# MIJ-SKD-M

www.haugenattachments.com

Marv Haugen Enterprises Inc. * 1851 Heartland Ave. * Casselton ND 58012 * Phone: 877-580-6218



Marv Haugen Enterprises
1851 Heartland Ave.
Casselton, ND 58012
Toll Free 877-580-6218
Phone: 701-347-4827 Fax: 701-347-4830

Thank you for choosing a Haugen Skid-Steer Industrial Jib

Before you use this Jib you must read and understand the Operator's Manual

If you have questions call us at 1-877-580-6218

MIJ-SKD - Industrial Jib

Haugen Skid-Steer Industrial Jibs are designed for use on Skid-Steer loaders and other machines equipped with the skidsteer mount. The MIJ-SKD has been engineered and rated for the Load Capacities as shown on the load chart decal on the Jib and in the load chart in this Manual.

Engineering Certification

The MIJ-SKD has been tested and certified by a third party Certified Professional Engineer. A copy of the certification letter is included in this manual. If required a copy of the full engineering report is available upon request.

Installation of the Skid-Steer Jib

Using your Skidsteer loader align the quick attach plate with the attachments plate and couple into the attachment. Before lifting make sure that the skidsteer copuipler pins are through each hole and the top bar is secured. Always check these pins during operation. Hydraulic or manual coupler pins can move over time.

- Operating Rules for Industrial Jibs -

Inspection

1. Check the lift hook, Latch and Shackle making sure that it is properly installed and in good working condition.
2. Quick attach should be in good shape and installed correctly.
3. Check the Industrial Jib for any excessive wear, cracked or broken welds.
4. Check each of the lifting holes for any elongation.
5. The Industrial Jibs load chart must be present and legable.



Marv Haugen Enterprises
1851 Heartland Ave.
Casselton, ND 58012
Toll Free 877-580-6218
Phone: 701-347-4827 Fax: 701-347-4830

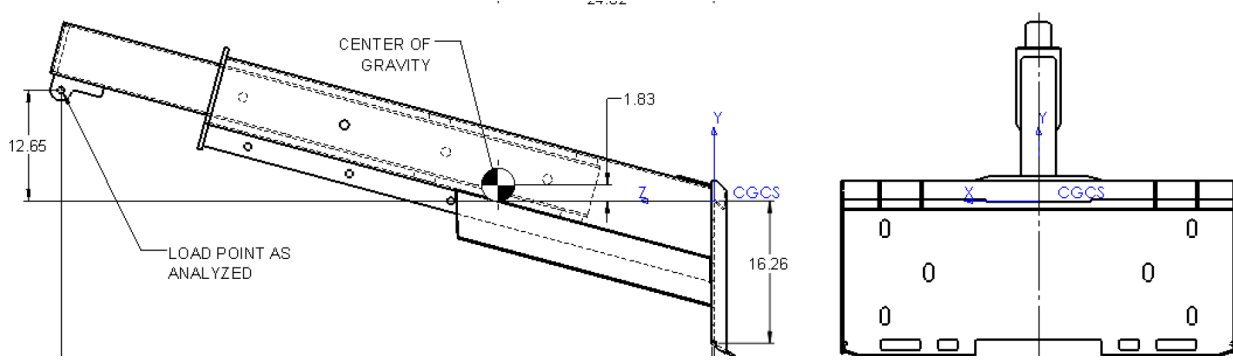
- Operating Rules for Industrial Jibs continued -

General Operating Rules

1. Inspections as stated above must be made prior to each use of the Industrial Jib
 2. Before each use make sure the Jib is properly installed and the hook and shackle are secured to the Jib and the screw pin is tight.
 3. Check extension adjustment pin to make sure it is functioning properly and secured in the desired position.
 4. Determine that the load your lifting is within the capabilities of the Industrial Jib and the capacity of the Skid-Steer. Never exceed the capacities on either the Skid-Steer or the attachment, Remember that capacity of the Host machine decreases when the load is raised and extended
 5. The machine operator must remain in the seat at the controls with the engine running whenever there is a load on the Jib.
 6. Only qualified and trained personal should operate the host machine. Operators should know and follow all local, state and federal safety regulations
 - 7 All safety regulations must be followed at all times.
 8. Any personal working around the Jib must wear hard hats and steel toed boots
 9. When lifting loads there should be no personel within a minimum of ten feet in all directions of the fall zone, never put yourself or any part of your body under a suspened load.
 10. Operator must not be under the influence of any alcohol or drugs.
 11. Do not pull loads. The Jib is designed for vertical lifting ONLY.
 12. Carry all loads low and use tag lines to keep loads from swinging.
 13. Be sure the host machine is on a level /firm surface before raising the load.
 14. Do not use the Jib in anyway to lift personal.
 15. Refer to the host machines operators manual for more information on handling elevated loads and additional safety tips.
-

Haugen

Marv Haugen Enterprises
 1851 Heartland Ave.
 Casselton, ND 58012
Toll Free 877-580-6218
 Phone: 701-347-4827 Fax: 701-347-4830



Model # MIJ-SKD
7 Hook Positions ranging from 27.75" to 97.25"
Empty Weight = 380 LBS
Vertical Center of Gravity = 1.83" from the top plate
Horizontal Center of Gravity - See chart below

Hook Position	Horizontal Center Of Gravity	Distance
1	24.25"	27.75"
2	24.32"	39.75"
3	24.45"	51.75"
4	24.62"	63.25"
5	25.75"	75.25"
6	26.72"	87.25"
7	27.12"	97.25"

Multiple Hooks

The MIJ-SKD is furnished with a hook and shackle system that can be moved easily to various positions on the Jib as needed. The Hook is rated for a 6000 lbs capacity. More than one hook can be used but the lift capacity would be limited by most extended hook. For example if the most extended hook is in the eight position then the load must not exceed 2000 lbs.

Jib Load Capacity

The lift capacities for the various positions shown in the table below are for our Model (MIJ-SKD) Industrial Jib. **Note: This chart reflects the capacity of the Jib only and does not reflect the capacity of the host machine nor the maximum load that can be safely handled by a particular machine**

(Copy of the Load Chart Decal)

WARNING

*Lift Capacity Rating

Jib Position	Length	*Max Lift Capacity
1	27.75 inches	5000 LBS
2	39.75 inches	4500 LBS
3	51.75 inches	4000 LBS
4	63.25 inches	3450 LBS
5	75.25 inches	2900 LBS
6	87.25 inches	2450 LBS
7	97.25 inches	2000 LBS

Empty Weight - 380 lbs

* These lift capacity ratings are for the Industrial Jib only. The lifting capacity is ultimately determined by the host machine. Never lift more than the operating capacities of this Industrial Jib or the capacities stated by the Manufacturer of the host machine.

MIJ-SKD

Note:

The information, load charts and illustrations contained in this manual about the Haugen Industrial Jib were current at the time of publication. Haugen Attachments is continually updating and improving our products. Therefore Haugen reserves the right to redesign this attachment and update the operators manual at any time without notice.



Marv Haugen Enterprises
1851 Heartland Ave. - Casselton, ND 58012
Toll Free 877-580-6218
Phone: 701-347-4827 Fax: 701-347-4830

Warranty Statement

Marv Haugen Enterprises warrants its products, under normal use and maintenance, to be free from defects in material and workmanship for a period of one year from the purchase date from an authorized Haugen Dealer. The limited warranty is extended only to the original purchaser of Haugen Products. **Warranty Statement**

1. During the applicable warranty period, Haugen at its option, will repair or replace any part determined by Haugen to be defective. Such repair or replacement shall take place at Haugen's factory or a location designated by Haugen. Under no circumstances shall Haugen be obligated for the cost of any repair or replacement by anyone other than Haugen without its express written consent.
2. Parts may not be returned without the express written authorization from Haugen.
3. Some purchased components including but not limited to hooks, cylinders, and hydraulic motors are subject to inspection and warranty of the respective manufacturers.
4. This warranty is void if any attempt is made to make field repairs. Make sure to leave the product in its original failed condition.
5. To make a claim under this warranty first contact your authorized Haugen dealer. The Haugen dealer shall complete the warranty claim form and obtain written authorization from Haugen to return parts. All warranty claims must include detailed information regarding make and model of the vehicle on which the Haugen product was mounted, hours of use, description of events that led up to the failure, and any other information helpful in reviewing this claim. All warranty returns must be prepaid. Shipments arriving at our factory on a freight collect basis will be refused by our receiving department. The freight charges will be credited if the parts are determined by Haugen to be defective, and the associated freight costs in returning those parts will be prepaid by Haugen.
6. Products or parts thereof which, as determined by Haugen's examination, show wear from normal use, been improperly operated, damaged by accident or negligence, field repaired, altered or modified are not considered defective in material or workmanship and are not covered by this warranty. This warranty does not obligate Haugen to bear any cost of labor for field repair, replacement, testing, or adjustment nor damaged caused by accident, abuse, misuse, or environmental elements.
7. Any parts or labor required to repair or replace parts not covered under this warranty will be charged to the customer. Parts repaired or replaced by Haugen are then covered by this warranty only for the remainder of the original warranty as if such parts were original parts.
8. Haugen reserves the right to change its specifications and designs at any time.

This warranty is exclusive and in lieu of all other express warranties, if any including implied warranties of merchantability and fitness for a particular purpose. It shall not extend beyond the duration of the expressed warranty provided herein and the remedy for violations of any implied warranty shall be limited to repair or replacement of the defective part pursuant to the terms contained herein. No employee, dealer, salesman, or representative is authorized to change this warranty in any way or grant any other warranty. Haugen shall not be liable for any consequential, incidental, or punitive damages, losses or expenses, including those resulting from or caused by any defects.

Haugen



www.haugenattachments.com

Marv Haugen Enterprises Inc. * 1851 Heartland Ave. * Casselton ND 58012 * Phone: 877-580-6218