

# Harley

## Model S.6

### D ~ Series Rakes

#### Serial Numbers

#### S65D001 - S66D300

**Harley**  
**Power**  
**Box Rake**



**Fast, One-Step**  
**Seed Bed Prep**

*Parts requirements are subject to change without notice and parts may be substituted by Glenmac, Inc.*

*Please refer to the latest parts price book for current parts pricing, or call (800) 437-9779, Fax (701) 251-9259, E-mail [customer\\_service@glenmac.com](mailto:customer_service@glenmac.com)*

# DECALS

**WARNING**

Do not allow anyone to operate the Power Box Rake™ or skid steer loader who has not been properly trained in it's safe operation and has not read and understood the operator's manuals.

Before attaching, check skid steer loader lift capacity to insure its ability to safely handle the weight.

Do not operate without guards/shields in place and in good working order.

Stop all moving parts including skid steer loader engine before cleaning, unplugging, adjusting and/or performing maintenance.

Keep bystanders 10 feet from Power Box Rake™ when in operation.

Failure to follow the above safety suggestions and those in the operator's manual can result in serious injury or death.

A

**DANGER**




**ROTATING PART HAZARD**

- KEEP HANDS, HAIR AND CLOTHING AWAY FROM MOVING PARTS.
- CLOSE AND SECURE ALL SHIELDS BEFORE OPERATING.

FAILURE TO DO SO COULD RESULT IN SERIOUS INJURY OR DEATH

C

**WARNING**

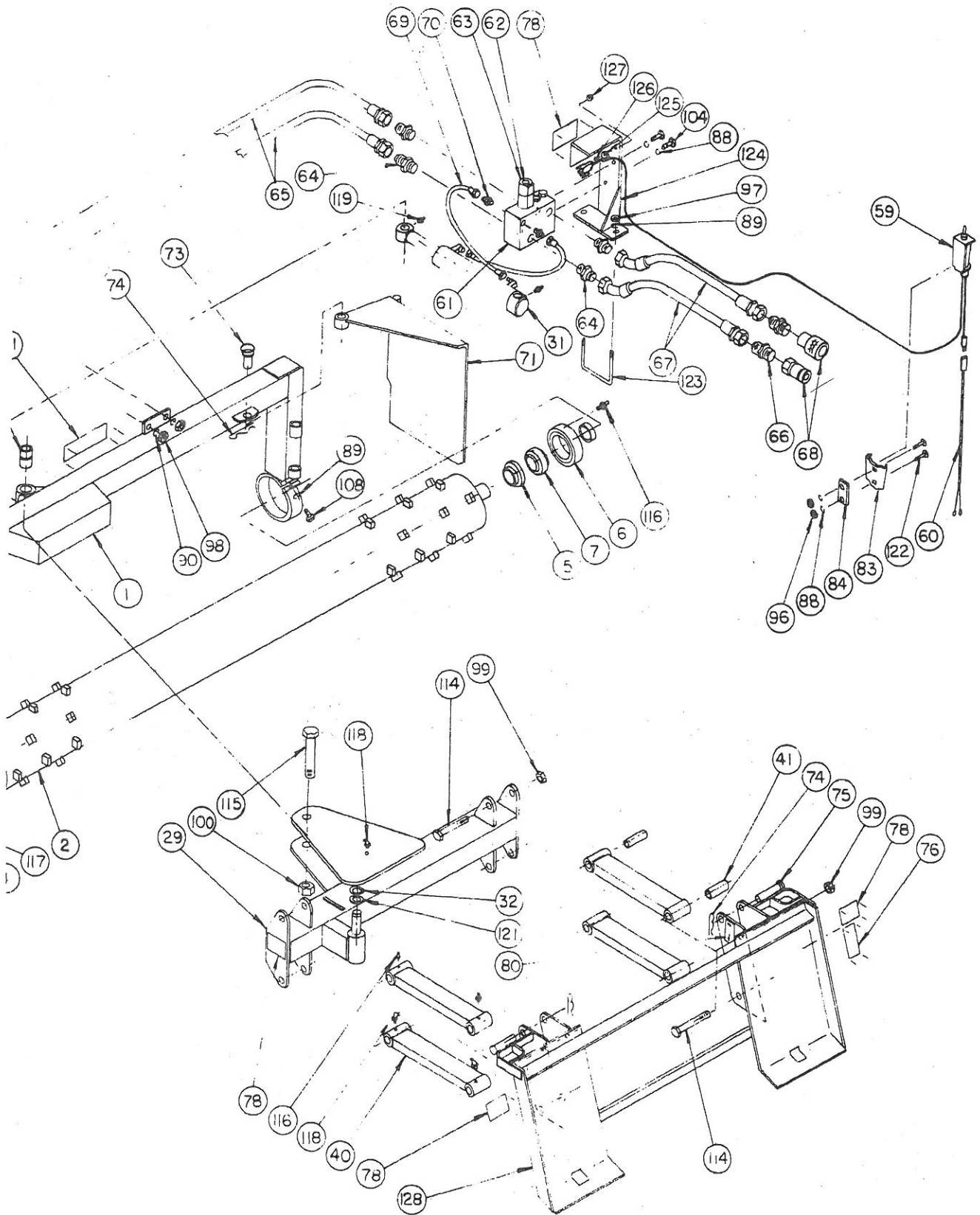


**STAY CLEAR OF THE MACHINE WHILE IT IS RUNNING.** Contact with rotating rollers can cause serious injury.

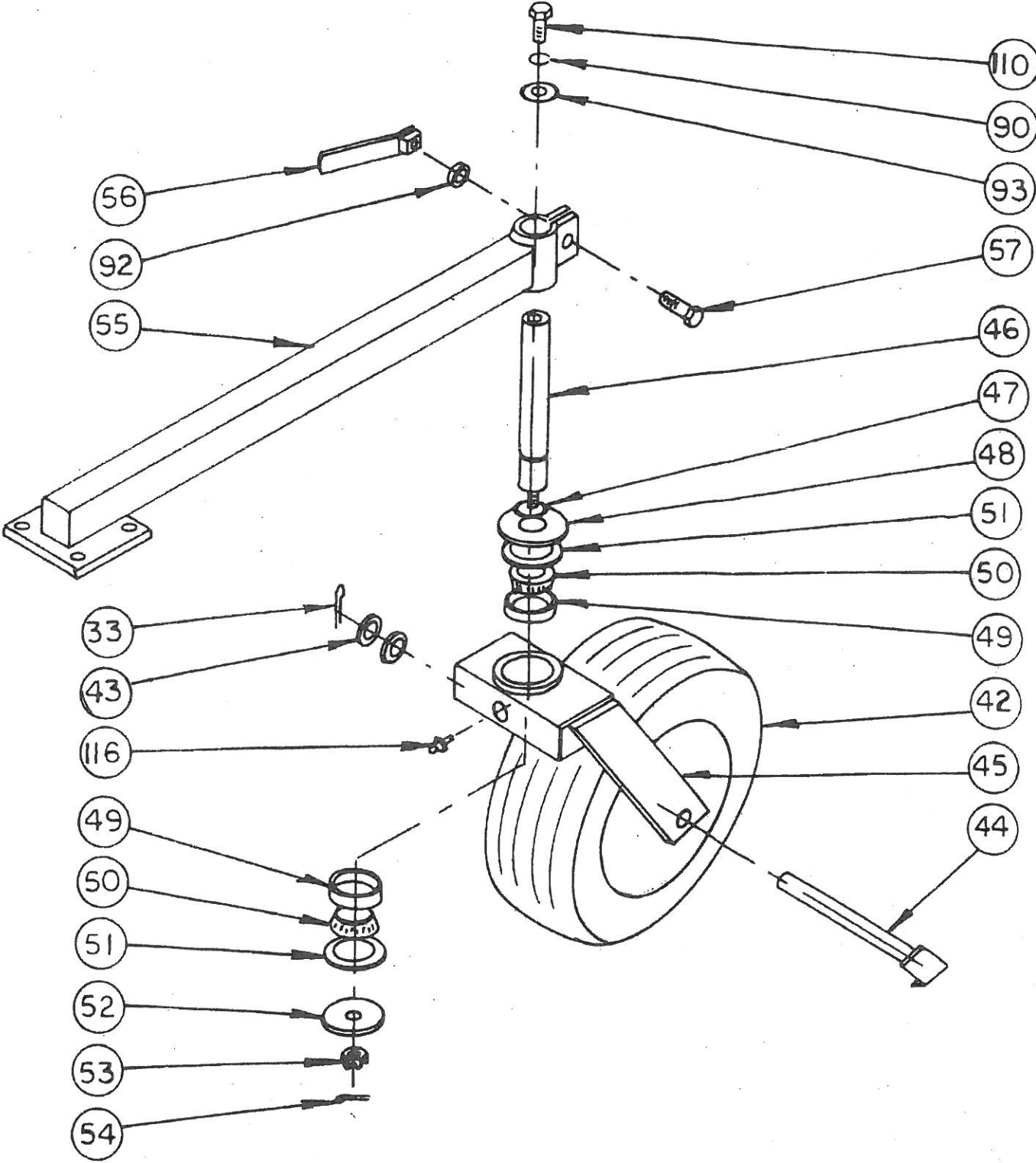
B



# FRAME AND DRIVE ASSEMBLY



# CASTOR WHEEL ASSEMBLY



# PARTS LIST

ITEM QTY. PART NO. DESCRIPTION

1	1	M6706	Frame	
2	1	M6683	Tooth Roller	
3	1	M6608	Chain Case	
4	1	P015300	1-1/2" Eccentric Locking Collar	
5	1	P015306	1-1/2" Bearing Collar	
6	2	P015210	1-1/2" Cartridge Bearing Housing	] M6687 Complete
7	2	P010400	1-1/2" Bearing Insert	
8	1	M6696	Sleeve	
9	1	P500203	O-Ring 3/8" x 2-5/8	
10	1	P350200	Hydraulic Motor	
11	2	M6629	Tension Arm	
12	2	M6630	Pivot Bushing	
13	2	M6628	Idler Roller	
14	1	P604600	Extension Spring	
15	1	M6634	Collar	
16	1	P855320	14 Gage x 1-1/4" Machine Bushing	
17	1	P855120	10 Gage x 1-1/4" Machine Bushing	
18	1	P661804	18 Tooth Sprocket 1-1/4" Spline #60	
19	1	P158000	3/4" Slotted Hex Nut	
20	1	P661803	18 Tooth Sprocket 1-3/8" Spline #60	
21	1	P855322	14 Gage x 1-3/8" Machine Bushing	
22	1	P855122	10 Gage x 1-3/8" Machine Bushing	
23	1	P116256	5/32" x 1-1/2" Cotter Pin	
24	1	M6641	Drive Chain #60H - 75 Pitch	
25	1	M6616	Barrier Mount	
26	2	M6427	Barrier	
27	2	M6428	Strap	
28	2	P128213	U-Bolt 1/2" x 3-1/4"	
29	1	M6707	Pivot Frame	
30	1	M6637	Pivot Bushing	
31	1	P257500	2" x 8" Hyd Cylinder	
32	1	P952250	1" External Snap Ring	
33	2	P116306	3/16" x 1 1/2" Cotter Pin	
34	1	P278001	Vent Plug	
35	1	M6618	Cover	
36	1	M6642	Seal	
37	1	P500202	O-Ring 3/32" x 4-3/4"	
38	1	M8272	Cover Tab	
39	1	M8241	Cover	
40	4	M6640	Link Arm	
41	8	M6635	Sleeve	
42	2	P756100	Wheel and Tire	
43	2	P850812	3/4" SAE Washer	
44	2	M6215	Axle	
45	2	M6211	Caster Fork	
46	2	M6701	Caster Shaft	
47	2	P952200	1-3/8" Snap Ring	
48	2	P850620	1-1/4" Flat Washer	
49	4	P760500	Bearing Cup	
50	4	P760300	Bearing Cone	
51	4	P852200	Felt Washer	
52	2	M6223	1/2" x 3" Washer	
53	2	P158006	1/2" Hex Slotted Nut	
54	2	P116204	1/8" x 1" Cotter Pin	
55	2	M6691	Caster Support Arm	
56	2	M6415	Handle	
57	2	P102808	1/2" x 2" Fine Thd Bolt	
58	4	P128318	U-Bolt 1/2" x 4-1/4"	
59	1	M6725	Switch Assembly	
60	1	M6726	Cable Assembly	
61	1	P242000	By-pass Direction Valve	

ITEM QTY. PART NO. DESCRIPTION

62	1	P241111	Solenoid Cartridge	
63	2	P290304	Solenoid Coil	
64	6	P276450	Adapter -12O-Ring/-12 JIC	
65	2	P255675	Hose Assembly 35"	
66	2	P276460	Adapter 1/2" NPT/-12 JIC	
67	2	P255700	Hose Assembly 48"	
68	1	P272620	Quick Coupler Set	
69	2	P247000	Hose Assembly 1/4" x 19"	
70	2	P261450	Adapter -4 O-Ring/-4 JIC	
71	1	M6625	End Plate Left	
72	1	M6624	End Plate Right	
73	2	M6442	3/4" x 2-1/2" Pin	
74	4	P622600	Hair Pin Clip	
75	2	P118620	5/8" x 4-1/4" Pin	
76	1	P970004	Decal Warning Lift "A"	
77	1	P970300	Decal Warning Chain "C"	
78	5	P970200	Decal Warning Roller "B"	
79	1	P970003	Decal Lube	
80	1	P970005	Decal Lock-Out	
81	1	P975801	Decal Harley	
82	1	P970008	Decal S-6 Power Rake	
83	1	P295028	Receiver Bracket	
84	1	M6729	Switch Bar	
85	4	P500300	1/4" O-ring Washer	
86	1	P500302	1/4" Rubber Face Washer	
87	2	P851104	1/4" Lock Washer	
88	20	P851105	5/6 Lock Washer	
89	5	P851106	3/8" Lock Washer	
90	16	P851108	1/2" Lock Washer	
91	1	M5009-2	3/8" Flat Washer	
92	6	P852608	1/2" x 1-1/16" O.D. Hardened Washer	
93	3	M5009-5	1/2" Wide Flat Washer	
94	4	P850609	9/16" Flat Washer	
95	1	P850612	3/4" Flat Washer	
96	20	P150500	5/16" Hex Nut	
97	3	P150600	3/8" Hex Nut	
98	17	P150800	1/2" Hex Nut	
99	8	P157500	5/8" Hex Lock nut	
100	1	P156401	1" Hex Lock Nut	
101	4	P110901	1/4" x 3/4" Button Head Bolt	
102	1	P100402	1/4" x 1/2 Hex Bolt	
103	1	P100406	1/4" x 1-1/2" Hex Bolt	
104	2	P100504	5/16" x 1" Hex Bolt	
105	16	P104506	5/16" x 1-1/2" Carriage Bolt	
106	2	P100505	5/16" x 1-1/4 Hex Bolt	
107	1	P100603	3/8" x 3/4" Hex Bolt	
108	1	P100605	3/8" x 1-1/4" Hex Bolt	
109	1	P100608	3/8" x 2" Hex Bolt	
110	2	P100804	1/2" x 1" Hex Bolt	
111	1	P100804	1/2" x 1" Hex Bolt	
112	4	P100808	1/2" x 2" Hex Bolt	
113	2	P100812	1/2" x 3" Hex Bolt	
114	8	P101018	5/8" x 4-1/2" Hex Bolt	
115	1	P101622	1" x 5-1/2" Fine Thd Bolt	
116	8	P620200	1/4"-28 Straight Grease Fitting	
117	1	P620100	1/4"-28 x 90 Grease Fitting	
118	6	P620000	1/4"-28 x 45 Grease Fitting	
119	2	P620500	1/8" NPT Straight Grease Fitting	
120	1	P481010	Spacer	
121	2	P855116	1" x 10 Ga. Machine Bushing	
122	2	P104504	5/16" x 1" Carriage Bolt	

# PARTS LIST

---

ITEM QTY. PART NO. DESCRIPTION

123 1 P128345 U-Bolt 3/8" X 4 1/2"  
124 1 M6704 Valve Mount Bracket  
125 1 P128615 Cable Clamp  
126 1 P111100 #8-32 X 1/2" Machine Screw  
127 1 P158004 #8-32 Lock Nut

128 - M6697 Melroe Attachment Mount  
Ford New Holland Attachment Mount  
John Deere Attachment Mount

M6639 Ford N.H. 555/785 Attachment Mount

M6699 Case Attachment Mount

M6674 Gehl Attachment Mount

M6650 Mustang Attachment Mount

M6679 Thomas T-133 Attachment Mount

M6695 Thomas T-173 Attachment Mount

M6702 Scat Trak Attachment Mount

M6703 3 Point Tractor Mount

# HYDRAULIC SCHEMATIC

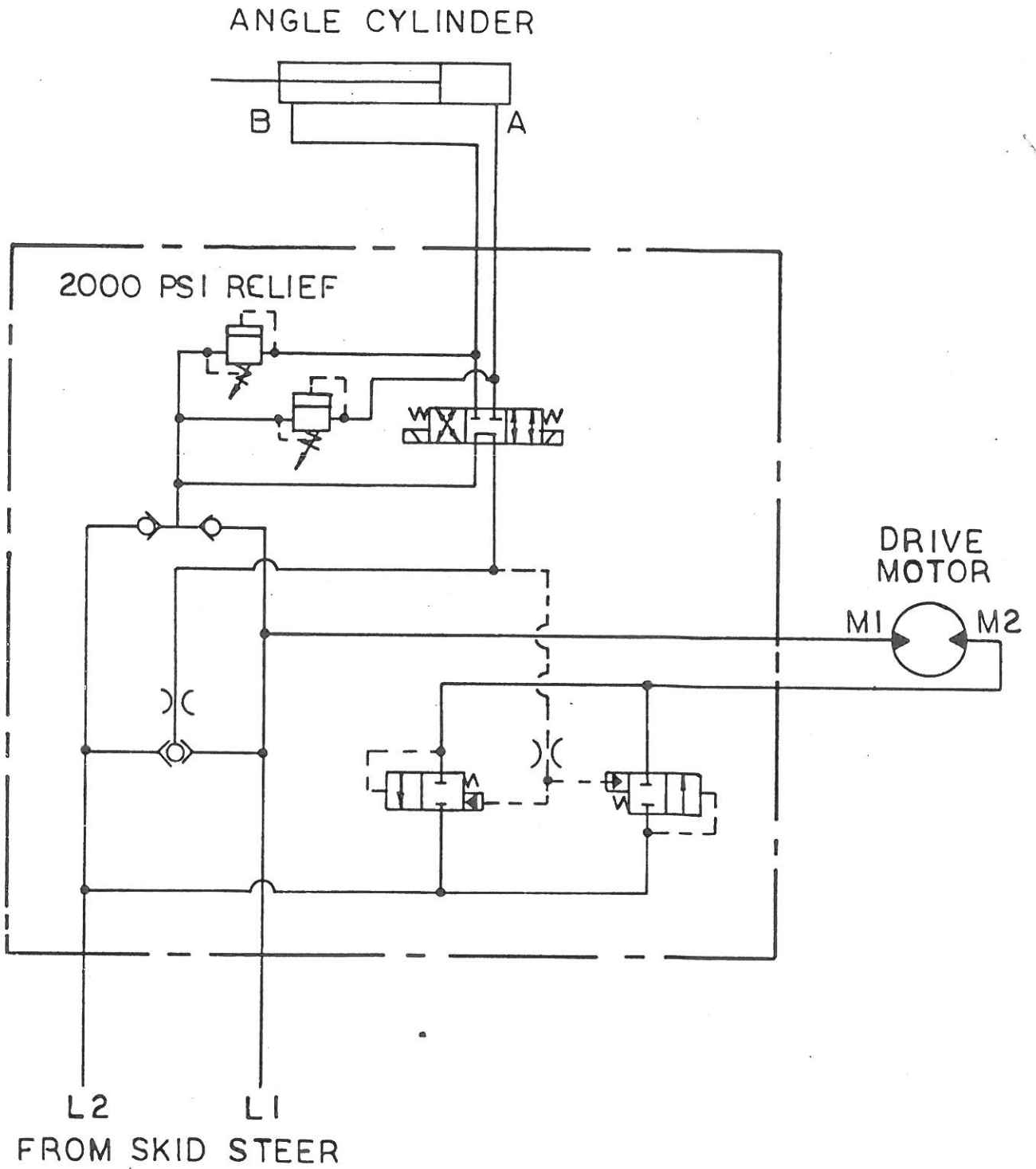


FIGURE 4