

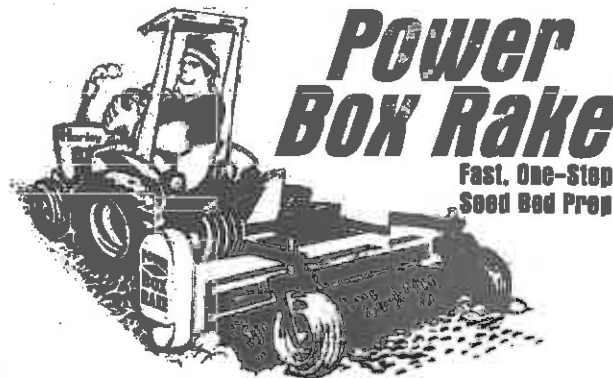
Harley

Model Pro-8

A ~ Series Rakes

Serial Numbers


P83A001 - P87A050



Parts requirements are subject to change without notice and parts may be substituted by Glenmac, Inc.

Please refer to the latest parts price book for current parts pricing, or call (800) 437-9779, Fax (701) 251-9259, E-mail customer_service@glenmac.com

DECALS

 **WARNING**

DO NOT ALLOW ANYONE TO OPERATE POWER RAKE WHO HAS **NOT** BEEN PROPERLY TRAINED IN ITS SAFE OPERATION AND HAS **NOT** READ AND UNDERSTOOD THE OPERATOR'S MANUAL.

BEFORE ATTACHING, CHECK TRACTOR'S 3PT. LIFT CAPACITY TO ENSURE ITS ABILITY TO SAFELY HANDLE THE WEIGHT.

MAX. PTO SPEED IS 540 RPM'S.

DO NOT OPERATE WITHOUT GUARDS/SHIELDS IN PLACE AND IN GOOD WORKING ORDER.

STOP ALL MOVING PARTS INCLUDING TRACTOR ENGINE BEFORE CLEANING, UNPLUGGING, ADJUSTING, AND/OR PERFORMING MAINTENANCE.

KEEP BYSTANDERS 10 FEET FROM POWER RAKE WHEN IN OPERATION.

FAILURE TO FOLLOW THE ABOVE SAFETY SUGGESTIONS AND THOSE IN THE OPERATOR'S MANUAL CAN RESULT IN SERIOUS INJURY OR DEATH.

"A" - P970100

 **WARNING**

		
---	--	---

STAY CLEAR OF THE MACHINE WHILE IT IS RUNNING. Contact with rotating rollers can cause serious injury.

P970200

"B" - P970200

 **DANGER**

	
--	---

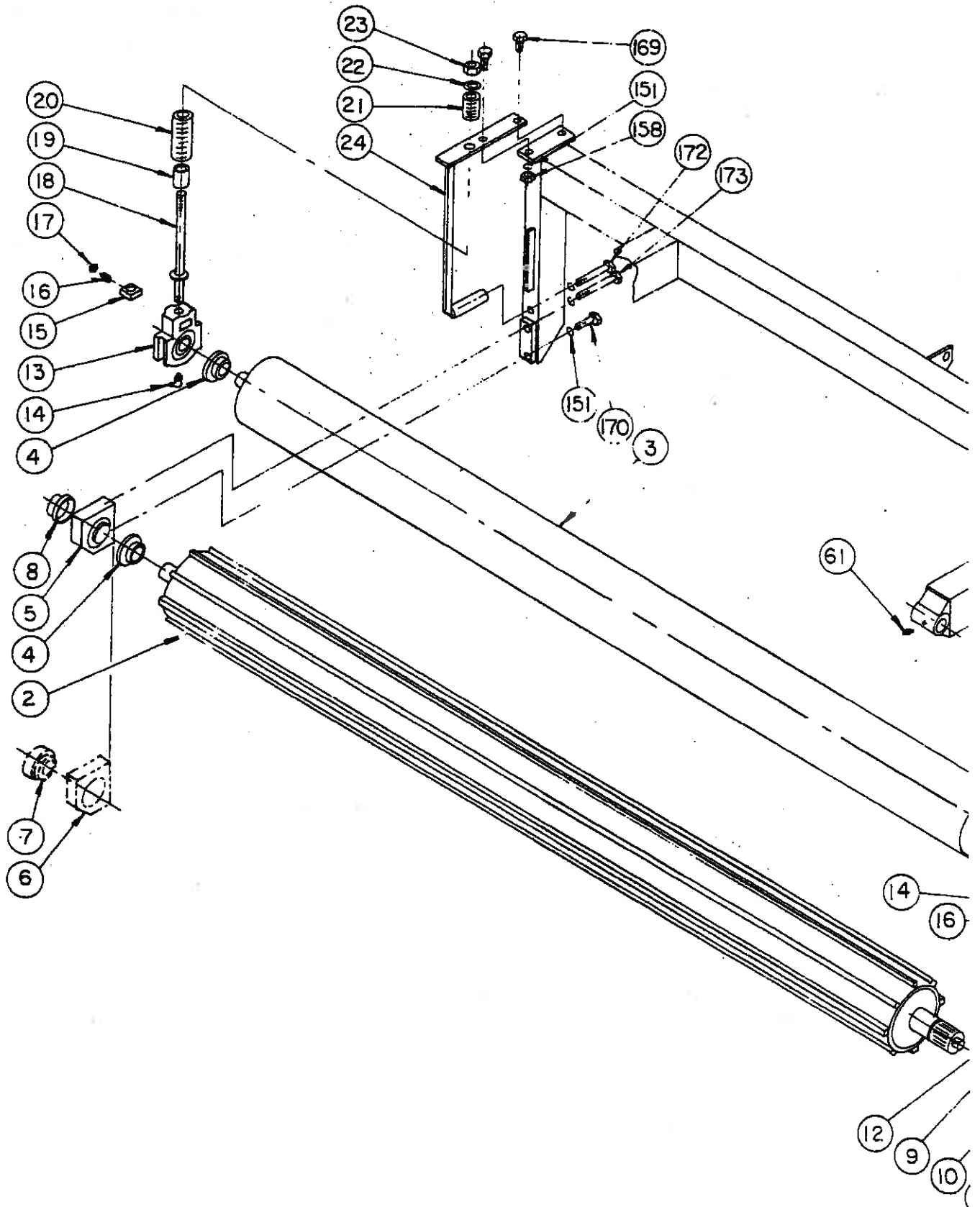
ROTATING PART HAZARD

- KEEP HANDS, HAIR AND CLOTHING AWAY FROM MOVING PARTS.
- CLOSE AND SECURE ALL SHIELDS BEFORE OPERATING.

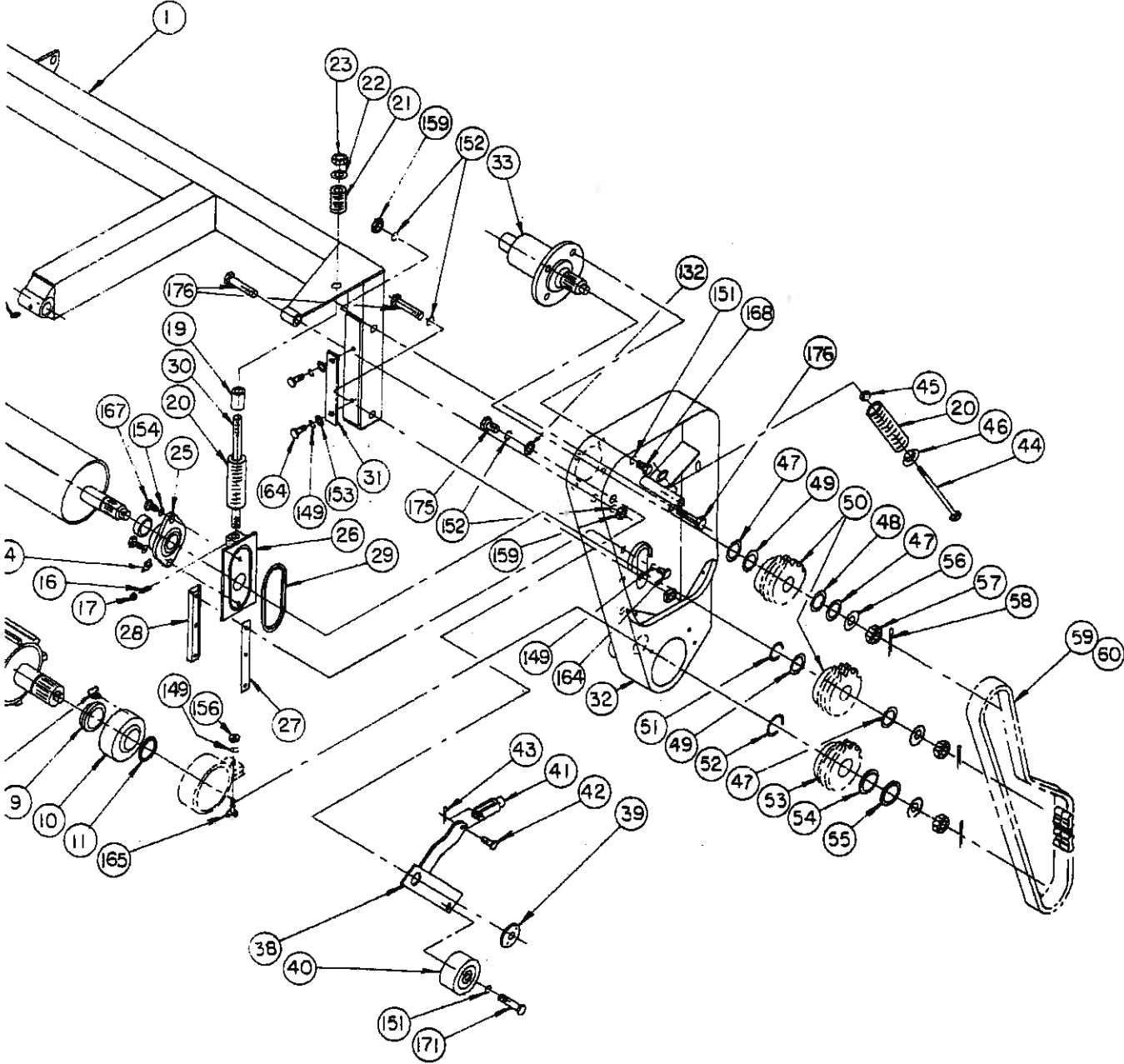
FAILURE TO DO SO COULD RESULT IN SERIOUS INJURY OR DEATH

"C" - P970300 / 301

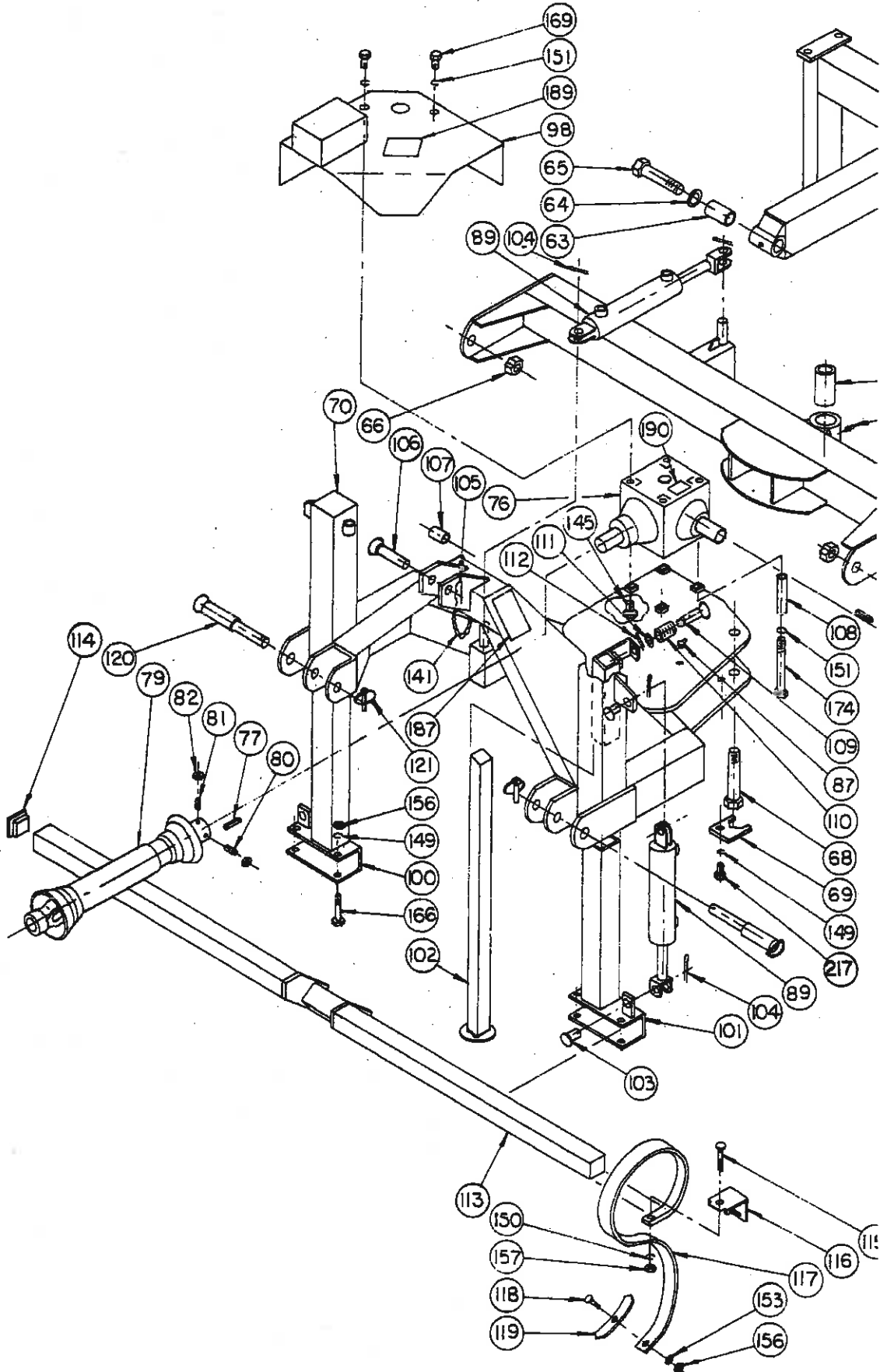
ROLLER ASSEMBLY



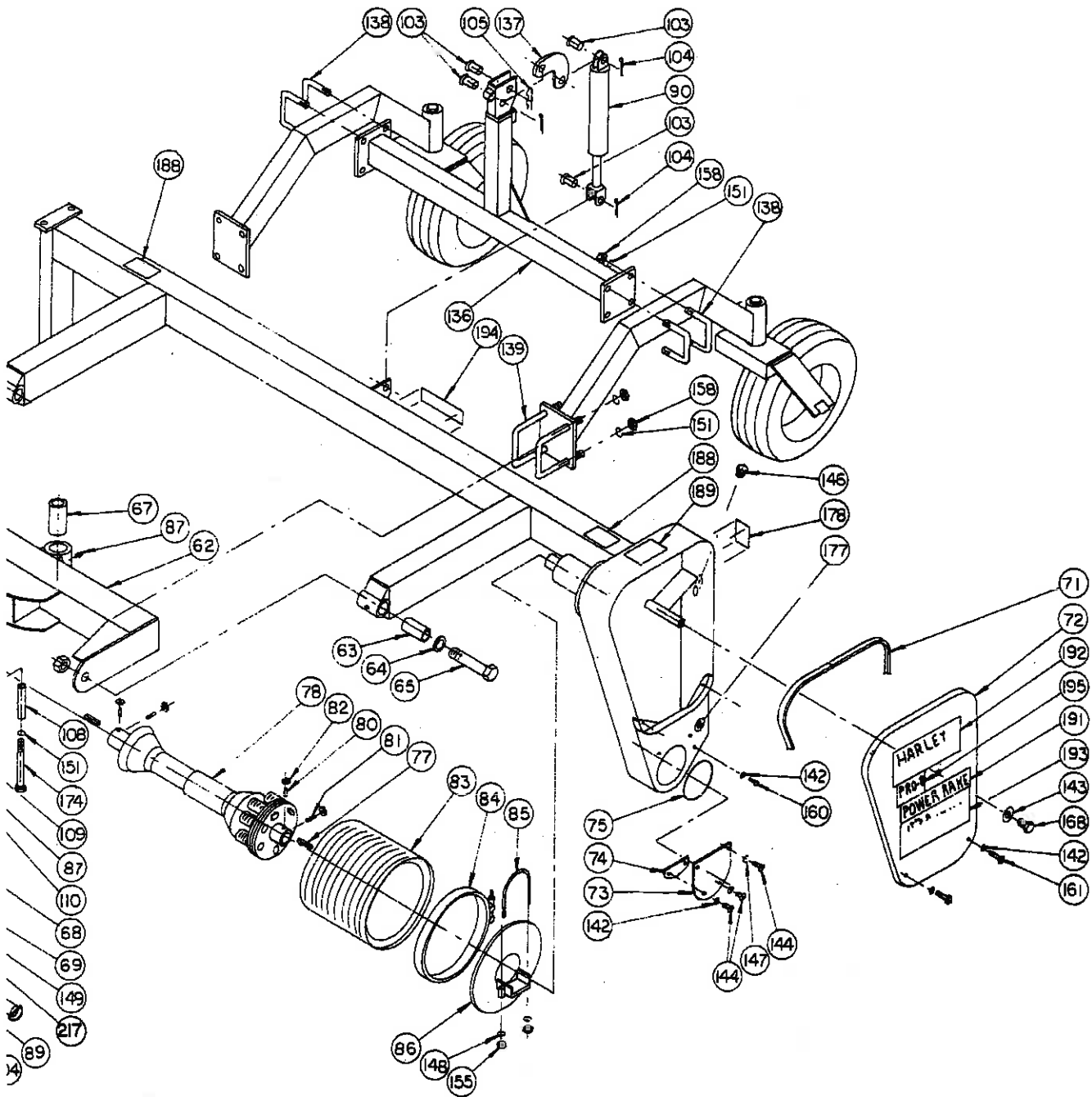
ROLLER ASSEMBLY



FRAME AND DRIVE ASSEMBLY

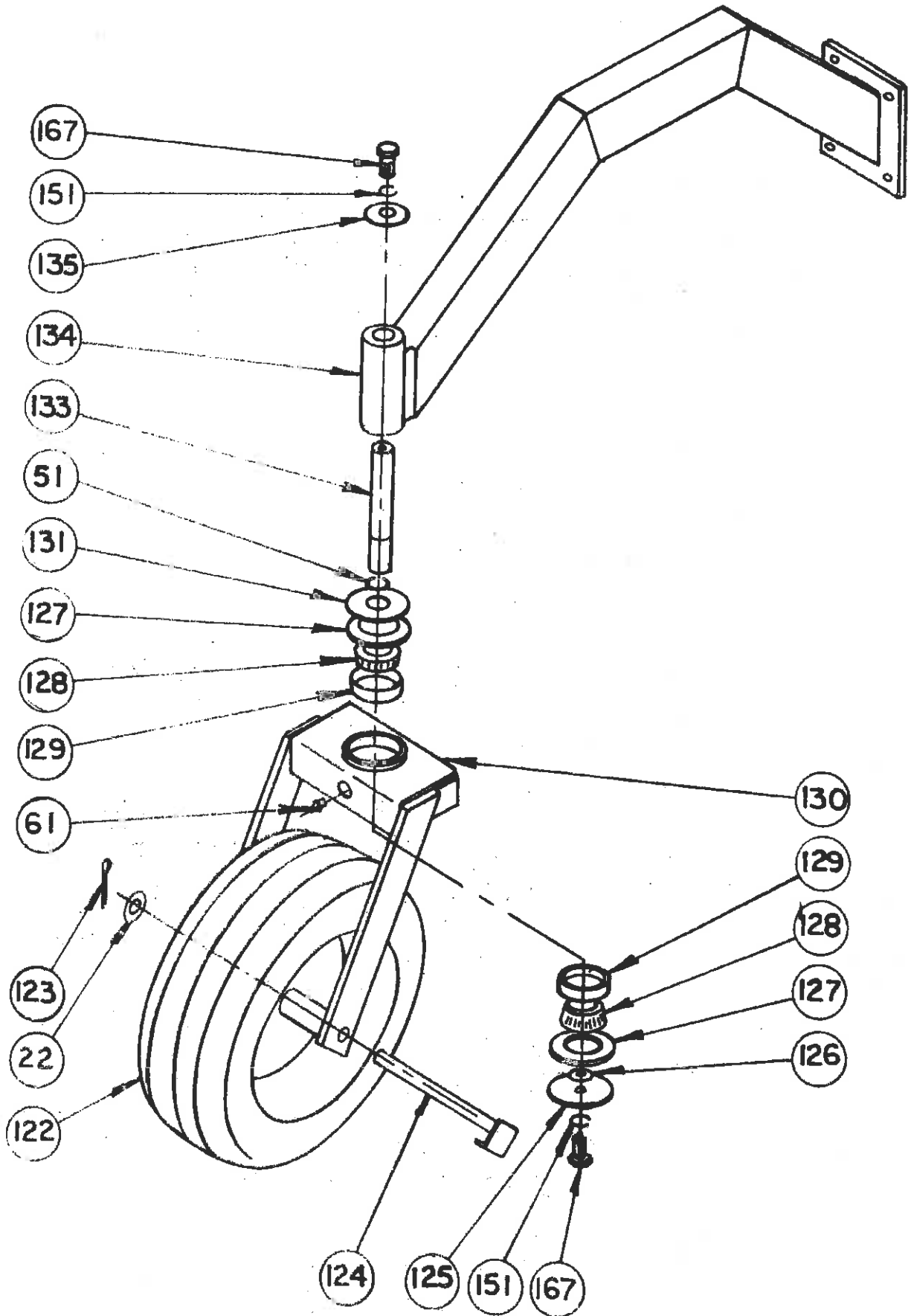


FRAME AND DRIVE ASSEMBLY

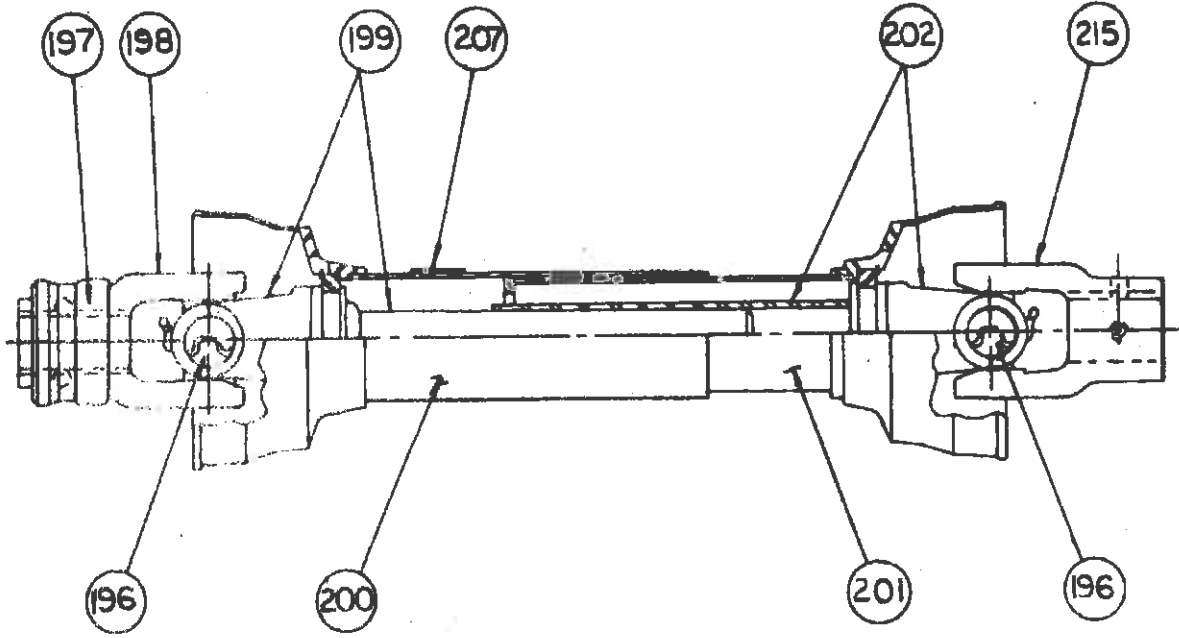


- 115
- 116
- 117
- 33
- 36

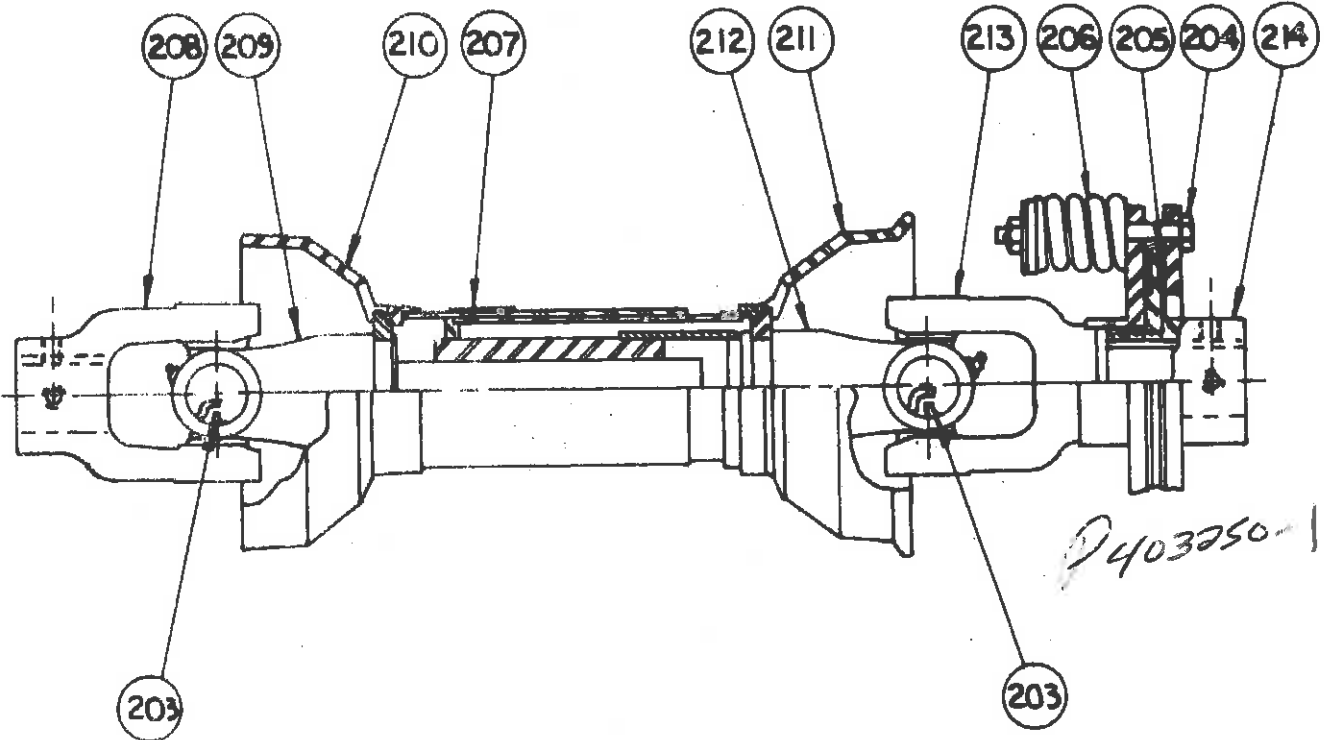
CASTOR WHEEL ASSEMBLY



PTO ASSEMBLY

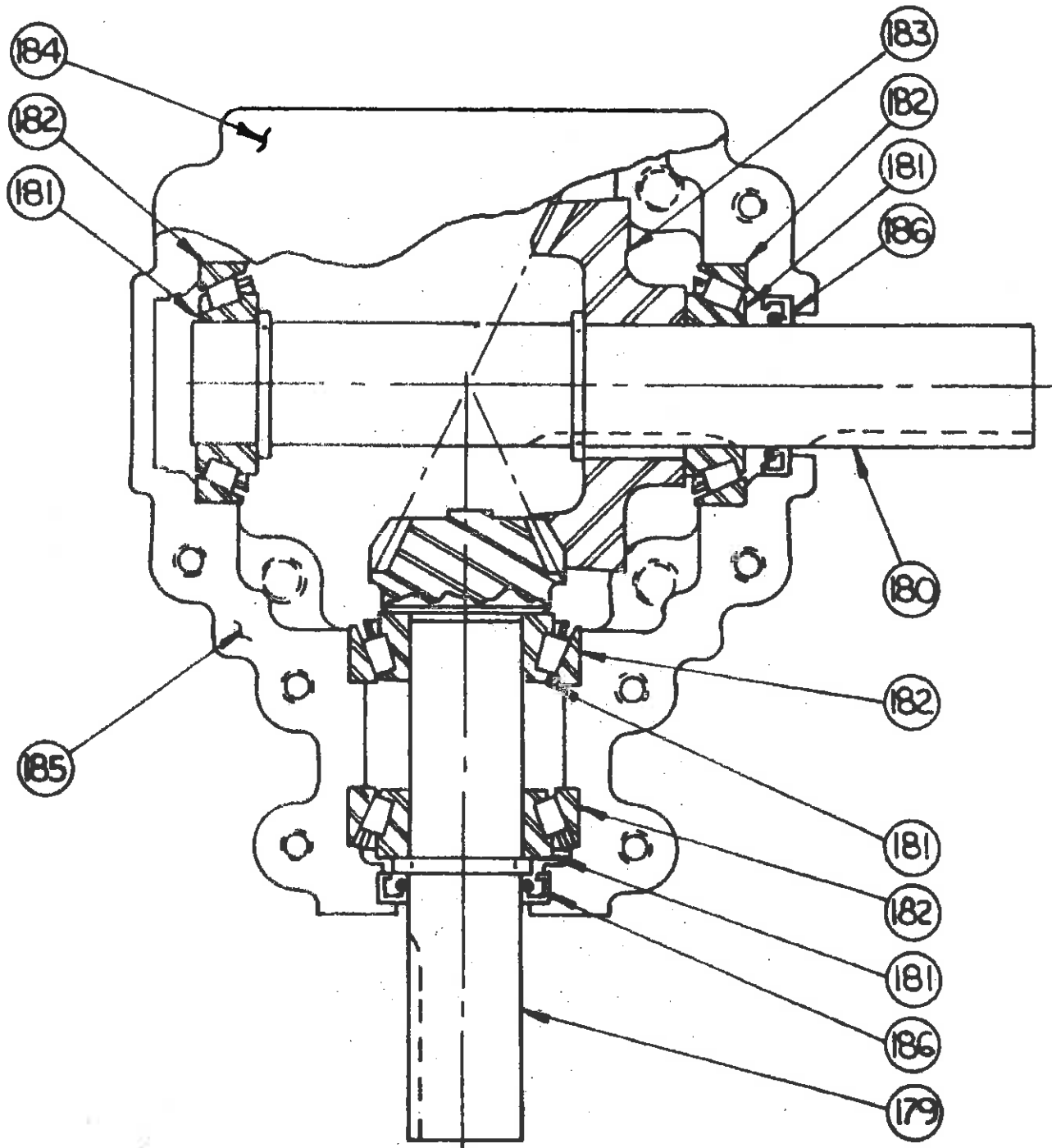


FRONT PTO

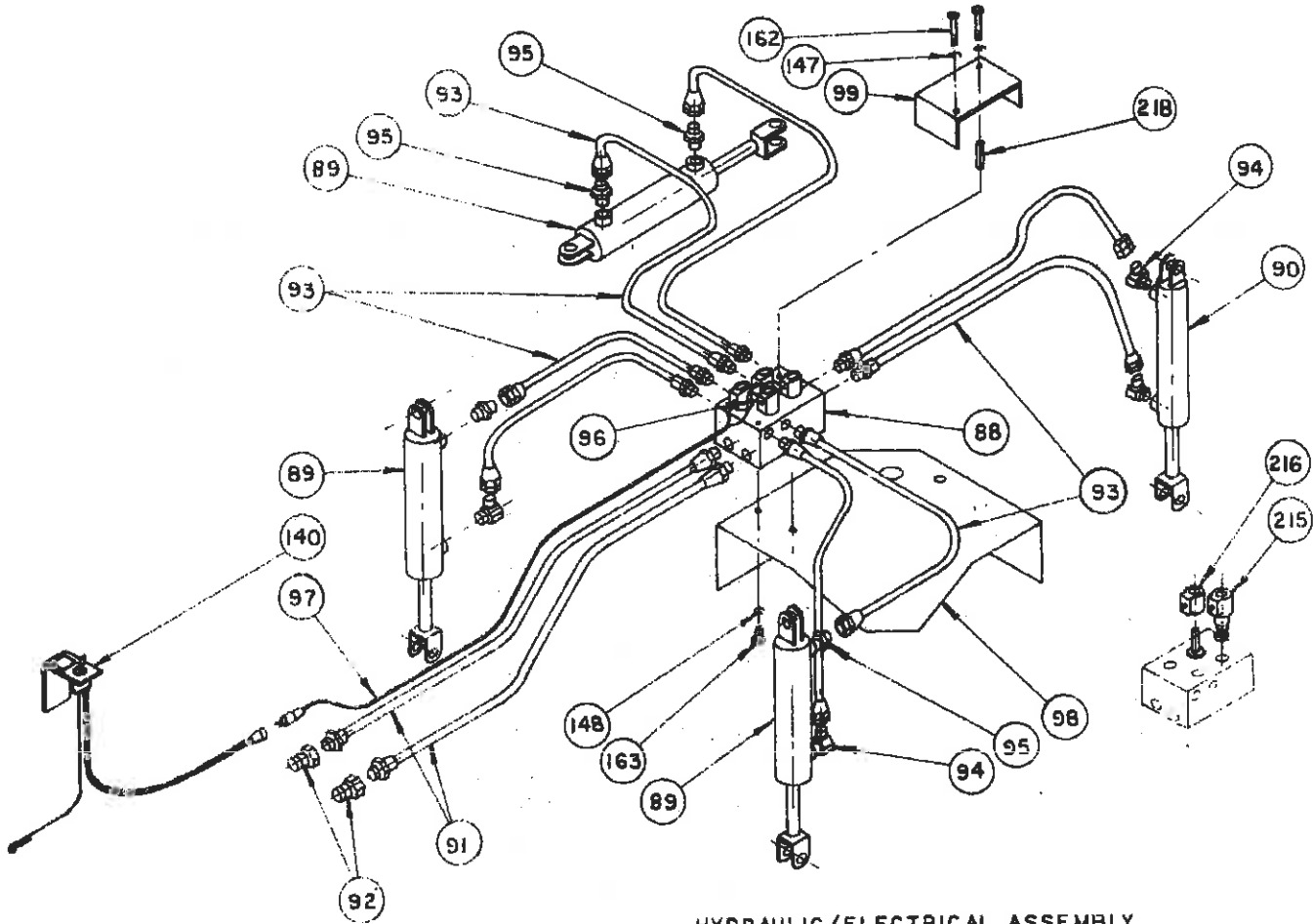


SIDE PTO

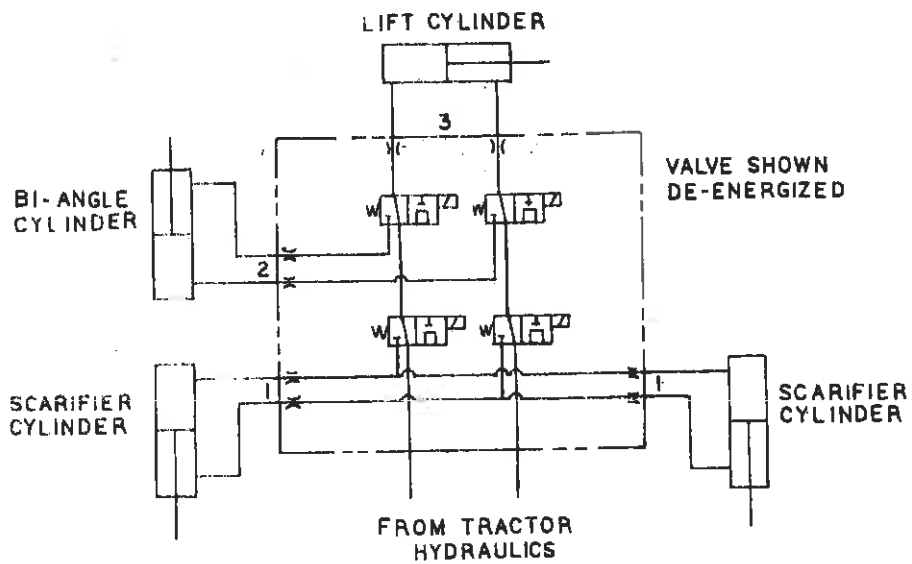
GEAR BOX ASSEMBLY



HYDRAULIC AND ELECTRICAL ASSEMBLY



HYDRAULIC/ELECTRICAL ASSEMBLY



PARTS LIST

Item	Qty.	Part No.	Description	Item	Qty.	Part No.	Description
1	1	M8202	Main Frame.....	56	3	P850612	3/4" Flat Washer.....
2	1	M8258	Bar Roller.....	57	3	P158000	3/4"-18 Slotted Nut.....
3	1	M8254	Smooth roller.....	58	3	P118256	5/32" x 1-1/2" Cotter Pin.....
4	2	P015301	1-3/8" ECC Lock Collar.....	59	1	M8267	60-2 Roller Chain (87 pitch).....
5	1	M6261	1-3/8" Tap Base Bearing.....	60	1	P630202	60-2 Connector.....
6	1	P015200	Tap Base Bearing Housing.....	61	4	P620200	1/4"-28 Grease Fitting.....
7	1	P009500	Bearing Insert.....	62	1	M8207	Pivot Frame.....
8	1	P01302	1-3/8" Set Screw Collar.....	63	2	M6218	Sleeve.....
9	1	P015303	1-3/4" ECC Locking Collar.....	64	2	P851616	1" Heavy Washer.....
10	1	M8280	1-3/4" Cartridge Bearing.....	65	2	P101620	1"-14x5" Hex Head Bolt.....
11	1	P500203	O-Ring 3/8" x 2-5/8".....	66	2	P156401	1"-14 Stop Nut.....
12	1	P620100	1/4" - 28 x 90° Grease Fitting.....	67	1	M8250	Pivot Bushing.....
13	1	P009700	1-3/8" R T U Bearing.....	68	1	P101622	1"-14 x 5-1/2" Hex Head Bolt.....
14	2	P620400	1/8" NPT x 90° Grease Fitting.....	69	1	M8275	Bolt Lock.....
15	1	M6056	R T U Nut.....	70	1	M8209	Mast Frame.....
16	2	P108512	5/16" - 18 x 3/4" Set Screw.....	71	1	M8274	Seal.....
17	2	P155300	5/16" - 18 Jam Nut.....	72	1	M8244	Cover Assembly.....
18	1	M8248	Roller Adjusting Screw.....	73	1	M8241	Cover.....
19	2	M6267	Sleeve.....	74	1	M8272	Tab.....
20	3	P603500	Spring 5 - 1/2".....	75	1	P500202	O-Ring 1/16" x 4-3/4".....
21	8	P400021	Spring 2 - 5/16".....	76	1	P205400	Gear Box.....
22	4	P850812	3/4" SAE Washer.....	77	3	M5000-5	5/16" x 2" Square Key.....
23	2	P157600	3/4" Lock Nut.....	78	1	P403200	Side PTO With Clutch.....
24	1	M8224	Bearing Support.....	79	1	P403300	Front PTO.....
25	1	P015000	1 - 3/8" Flange Bearing.....	80	3	P108610	3/8" x 5/8" Allen Set Screw.....
26	2	P956400	Slide Plate.....	81	3	P108616	3/8" x 1" Allen Set Screw.....
27	2	M6260	Shim.....	82	6	P155400	3/8" Hex Jam Nut.....
28	1	M6232	Slide Bar.....	83	1	M6262	Shield.....
29	1	P500100	Quad Ring.....	84	1	P128600	Band Clamp.....
30	1	M8247	Roller Adjusting Screw.....	85	1	P128500	U-Bolt.....
31	1	M6231	Slide Bar.....	86	1	M6258	Shield Mount.....
32	1	M8232	Chain Case.....	87	3	P620000	1/4"-28 x 45° Grease Fitting.....
33	1	M6256	Bearing Housing Assembly.....	88	1	P290303	Cartridge Valve.....
34	1	M6227	Bearing Housing.....	89	3	P257000	Hydraulic Cylinder (2" x 6").....
35	1	P635005	Drive Shaft.....	90	1	P256000	Hydraulic Cylinder (1-1/2" x 8").....
36	2	P009204	Ball Bearing.....	91	2	P255500	1/2" Hose 60".....
37	1	P975600	Plastic Plug.....	92	2	P272600	Quick Coupler.....
38	1	M8223	Tensioner.....	93	8	P245015	1/4" Hose 27".....
39	1	M6226	Tensioner Washer.....	94	4	P261300	90° Elbow 1/2" NPT - JIC.....
40	1	P477005	Idler.....	95	4	P276105	Adapter 1/2" NPT-6JIC.....
41	1	P900100	Yoke.....	96	2	M6271	4" Wire Assembly.....
42	1	P118700	Pin.....	97	1	M8266	Connector Assembly.....
43	1	P116003	3/32" x 3/4" Cotter Pin.....	98	1	M8259	Gearbox Shield.....
44	1	P102629	3/8" x 7-1/4" Fine Thread Bolt.....	99	1	M8268	Valve Cover.....
45	1	P150601	3/8" -24 Hex Nut.....	100	1	M8229	Scarifier Mount, Right.....
46	1	M6021	Spring Washer.....	101	1	M8230	Scarifier Mount, Left.....
47	3	P855122	10Gage x 1-3/8" Machine Bushing.....	102	1	M8225	Leg Stand.....
48	1	P855322	14 Gage x 1-3/8" Machine Bushing.....	103	8	M5017	Pin 3/4" x 1-1/2".....
49	2	P855522	18 Gage x 1-3/8" Machine Bushing.....	104	9	P116306	3/16" x 1-1/2" Cotter Pin.....
50	2	P861800	18 Tooth Sprocket (1-3/8").....	105	2	P622600	Hair Pin Clip.....
51	3	P952200	1-3/8" Snap Ring.....	106	1	M5003	Pin 3/4" x 3-3/4".....
52	1	P952112	1-3/4" Snap Ring.....	107	1	P126250	Category I-II Bushing.....
53	1	P661801	18 Tooth Sprocket (1-3/4").....	108	2	M8249	Spacer.....
54	1	P855128	10 Gage x 1-3/4" Machine Bushing.....	109	1	M8263	5/8" Pin.....
55	1	P855528	18 Gage x 1-3/4" Machine Bushing.....	110	1	P604500	Compression Spring.....

PARTS LIST

Item	Qty.	Part No.	Description	Item	Qty.	Part No.	Description
111	1	P852001	16mm Washer	167	2	P102804	1/2" x 1" Fine Thread Bolt
112	1	P116204	1/8" x 1" Cotter Pin	168	7	P100804	1/2" x 1" Hex Bolt
113	1	M8261	Scarifier Bar	169	4	P100806	1/2" x 1-1/2" Hex Bolt
114	2	P955700	End Cap	170	1	P100808	1/2" x 2" Hex Bolt
115	8	P104714	7/16" x 3-1/2" Carriage Bolt	171	1	P100810	1/2" x 2-1/2" Hex Bolt
116	8	P700200	Tine Bracket	172	1	P100816	1/2" x 4" Hex Bolt
117	8	P700105	S-Tine 32mm x 10mm x 450mm	173	1	P100818	1/2" x 4-1/2" Hex Bolt
118	8	P700400	3/8" x 1-1/4" Shovel Bolt	174	2	P100828	1/2" x 7" Hex Bolt
119	8	P700300	Tine Shovel	175	1	P101005	5/8" x 1-1/4" Hex Bolt
120	2	M8269	Category I-II Pin	176	3	P101014	5/8" x 3-1/2" Hex Bolt
121	2	P126207	7/16" Lynch Pin	177	1	P975503	Oil Bath Decal
122	2	P756100	Wheel and Tire	178	1	P975700	Lube Decal
123	2	P116307	Cotter Pin 3/16" x 1-3/4"	179	1	P205408	Geared Pinion Shaft
124	2	M6215	Axle	180	1	P205413	Cross Shaft
125	2	M6223	Washer	181	4	P205403	Tapered Bearing Case
126	4	P85508	1/2" x 18 Gage Machine Bushing	182	4	P205410	Tapered Bearing Cup
127	4	P852200	Felt Washer	183	1	P205401	Gear (2:1 Ratio 30 Tooth)
128	4	P760300	Bearing Cone	184	1	P205409	Casting Top Half
129	4	P760500	Bearing Cup	185	1	P205402	Casting Bottom Half
130	2	M6211	Caster Fork	186	2	P205404	Seals (1-3/8" Shaft O.D.)
131	2	P850620	1-1/4" Flat Washer	187	1	P970100	"A" Warning Decal
132	1	P850109	9/16 Flat Washer	188	2	P970200	"B" Warning Decal
133	2	M8228	Caster Shaft	189	2	P970300	"C" Warning Decal
134	2	M8227	Caster Arm	190	1	P970301	"C" Warning Decal (Small)
135	2	M5009-6	Washer 1/2" x 2"	191	1	P975500	Power Rake Decal
136	1	M8231	Cross Frame	192	1	P975501	Harley Logo Decal
137	1	M8246	Lift Link	193	1	P975502	Rake Decal
138	4	P128000	1/2" x 3" x 3-1/4" U-Bolt	194	1	P975800	Harley Logo Decal (Small)
139	4	P128150	1/2" x 4" x 5" U-Bolt	195	1	P975504	PRO-8 Decal
140	1	M8265	Switch Assembly	196	2	P400002	14R Repair Kit
141	1	M6266	PTO Support Chain	197	1	P400031	Lock Yoke Repair Kit
142	4	P500300	1/4" Seal Washer	198	1	P400803	Lock Yoke Assembly
143	1	M5009-5	1/2" Flat Washer	199	1	P403301	Yoke and Shaft
144	4	P110901	1/4" x 3/4" Button Head Bolt	200	1	P403303	Outer Guard
145	2	P103800	1/2" x 1 3/4" Hex Bolt	201	1	P403304	Inner Guard
146	1	P278001	Breather	202	1	P403301	Yoke and Tube
147	4	P851104	1/4" Lock Washer	203	2	P400001	35R Repair Kit
148	4	P851105	5/16" Lock Washer	204	6	P400018	Bolt
149	11	P851106	3/8" Lock Washer	205	2	P400019	Friction Disc
150	8	P851107	7/16" Lock Washer	206	6	P400021	Spring
151	32	P851108	1/2" Lock Washer	207	2	P970400	Safety Sign
152	4	P851110	5/8" Lock Washer	208	1	P400511	End Yoke
153	10	P850106	3/8" Flat Washer	209	1	P403201	Yoke and Shaft
154	2	P851608	1/2" Heavy Washer	210	1	P403202	Outer Guard
155	2	P150500	5/16" Hex Nut	211	1	P403203	Inner Guard
156	13	P150600	3/8" Hex Nut	212	1	P403204	Yoke and Tube
157	8	P150700	7/16" Hex Nut	213	1	P403205	Yoke and Hub
158	18	P150800	1/2" Hex Nut	214	1	P400032	Hub and Plate
159	2	P151000	5/8" Hex Nut	215	4	P290301	Solenoid Cartridge
160	1	P100402	1/4" x 1/2" Hex Bolt	216	4	P290302	Solenoid Coil
161	2	P100406	1/4" x 1-1/2 Hex Bolt	217	1	P100603	3/8" - 3/4" Hex Bolt
162	2	P100410	1/4" x 2-1/2" Hex Bolt	218	2	M8277	Sleeve
163	2	P100504	5/16" x 1" Hex Bolt				
164	5	P100604	3/8" x 1" Hex Bolt				
165	1	P100607	3/8" x 1-3/4" Hex Bolt				
166	4	P100612	3/8" x 3" Hex Bolt				