

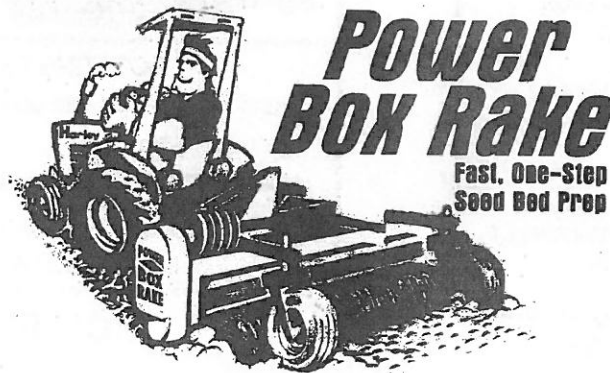
Harley

Model Pro-6

B & C ~ Series Rakes

Serial Numbers


P62B201 - P65C050



Parts requirements are subject to change without notice and parts may be substituted by Glenmac, Inc.

Please refer to the latest parts price book for current parts pricing, or call (800) 437-9779, Fax (701) 251-9259, E-mail customer_service@glenmac.com

DECALS

 **WARNING**

DO NOT ALLOW ANYONE TO OPERATE POWER RAKE WHO HAS **NOT** BEEN PROPERLY TRAINED IN ITS SAFE OPERATION AND HAS **NOT** READ AND UNDERSTOOD THE OPERATOR'S MANUAL.

BEFORE ATTACHING, CHECK TRACTOR'S 3PT. LIFT CAPACITY TO ENSURE ITS ABILITY TO SAFELY HANDLE THE WEIGHT.

MAX. PTO SPEED IS 540 RPM'S.

DO NOT OPERATE WITHOUT GUARDS/SHIELDS IN PLACE AND IN GOOD WORKING ORDER.

STOP ALL MOVING PARTS INCLUDING TRACTOR ENGINE BEFORE CLEANING, UNPLUGGING, ADJUSTING, AND/OR PERFORMING MAINTENANCE.

KEEP BYSTANDERS 10 FEET FROM POWER RAKE WHEN IN OPERATION.

FAILURE TO FOLLOW THE ABOVE SAFETY SUGGESTIONS AND THOSE IN THE OPERATOR'S MANUAL CAN RESULT IN SERIOUS INJURY OR DEATH.

"A" - P970100

 **WARNING**

		
---	---	---

STAY CLEAR OF THE MACHINE WHILE IT IS RUNNING. Contact with rotating rollers can cause serious injury.

P970200

"B" - P970200

 **DANGER**

	
--	---

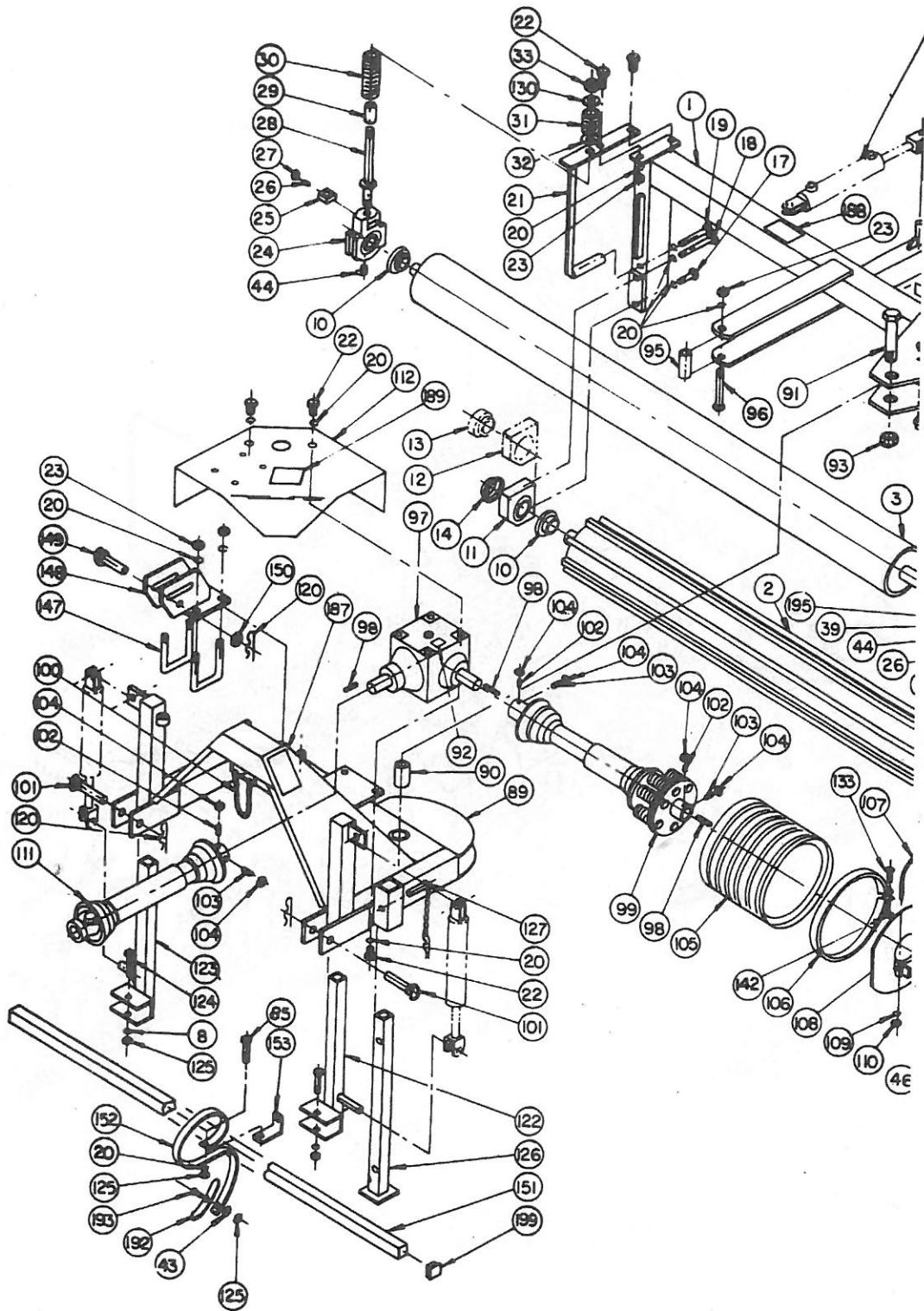
ROTATING PART HAZARD

- KEEP HANDS, HAIR AND CLOTHING AWAY FROM MOVING PARTS.
- CLOSE AND SECURE ALL SHIELDS BEFORE OPERATING.

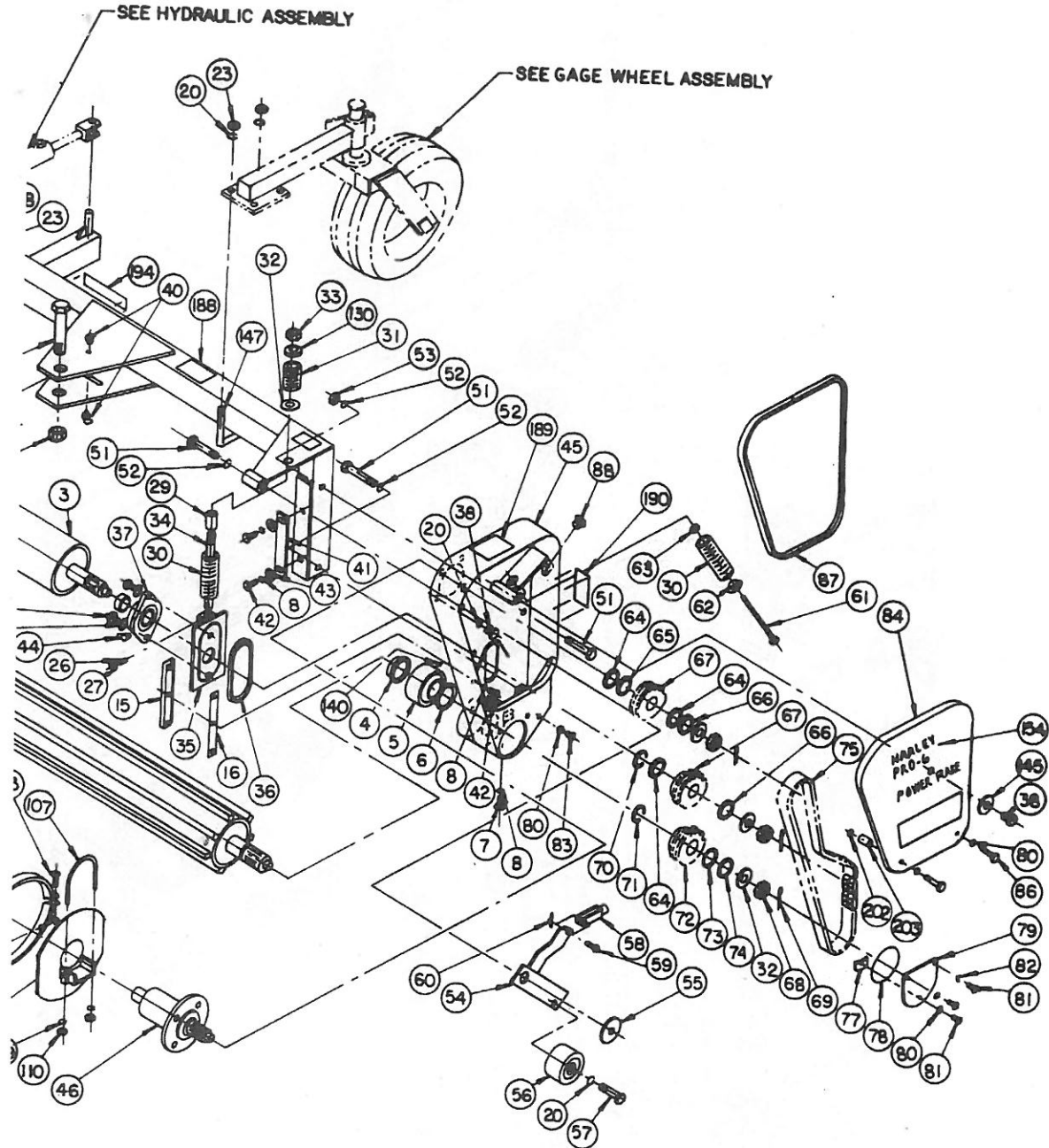
FAILURE TO DO SO COULD RESULT IN SERIOUS INJURY OR DEATH

"C" - P970300

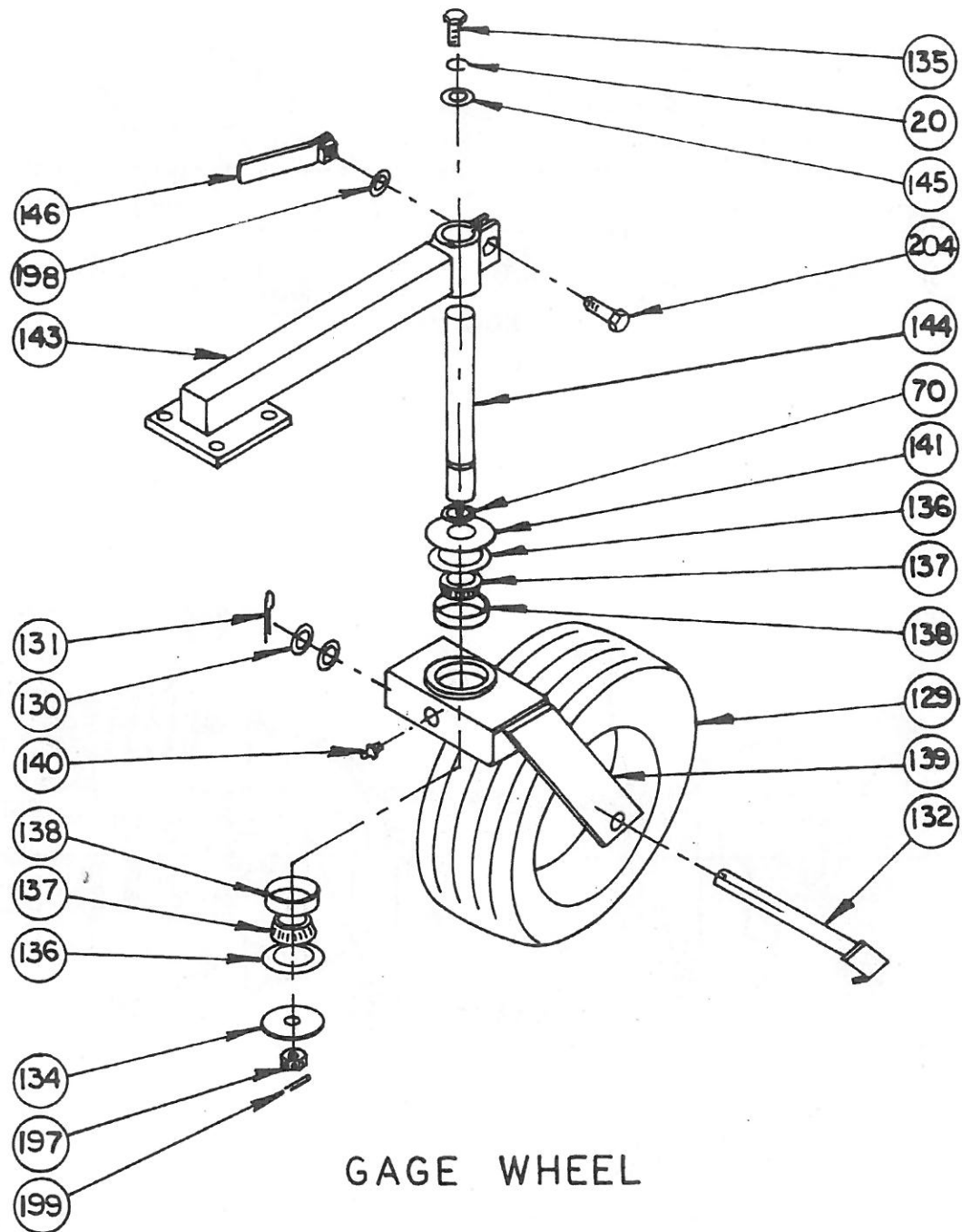
FRAME AND DRIVE ASSEMBLY



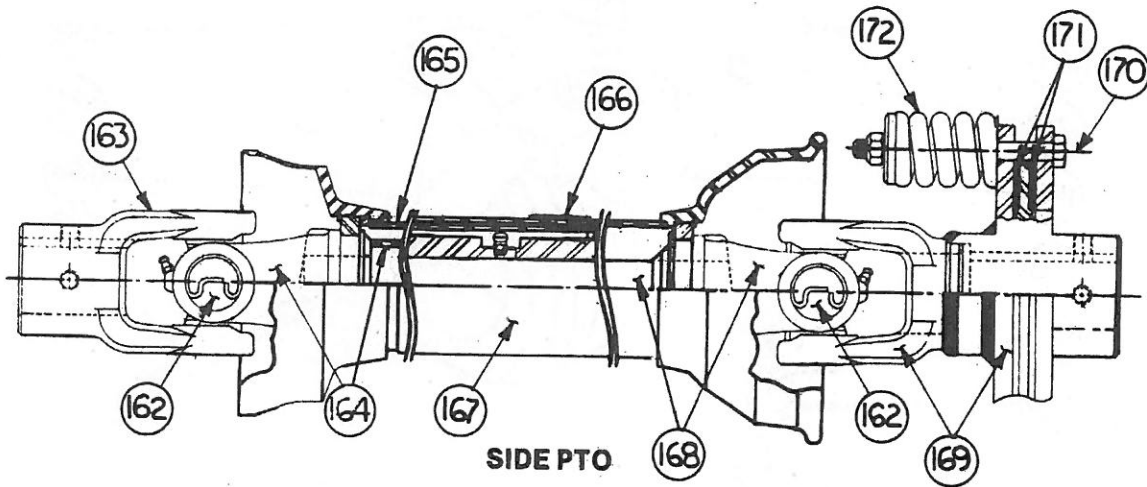
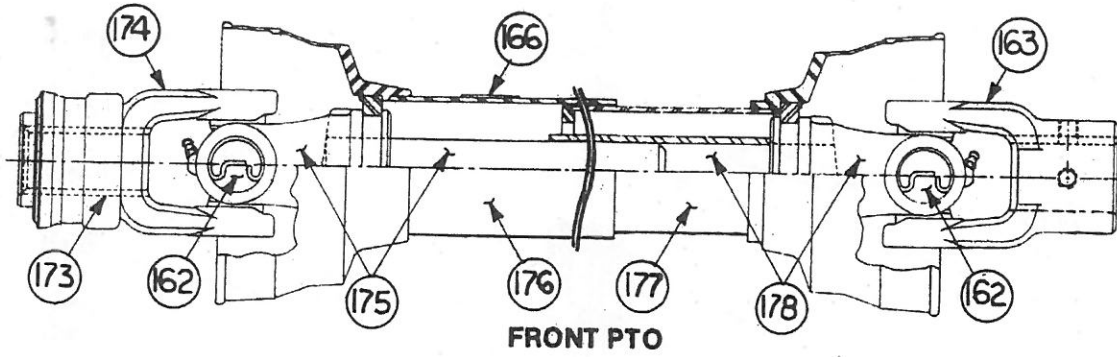
FRAME AND DRIVE ASSEMBLY



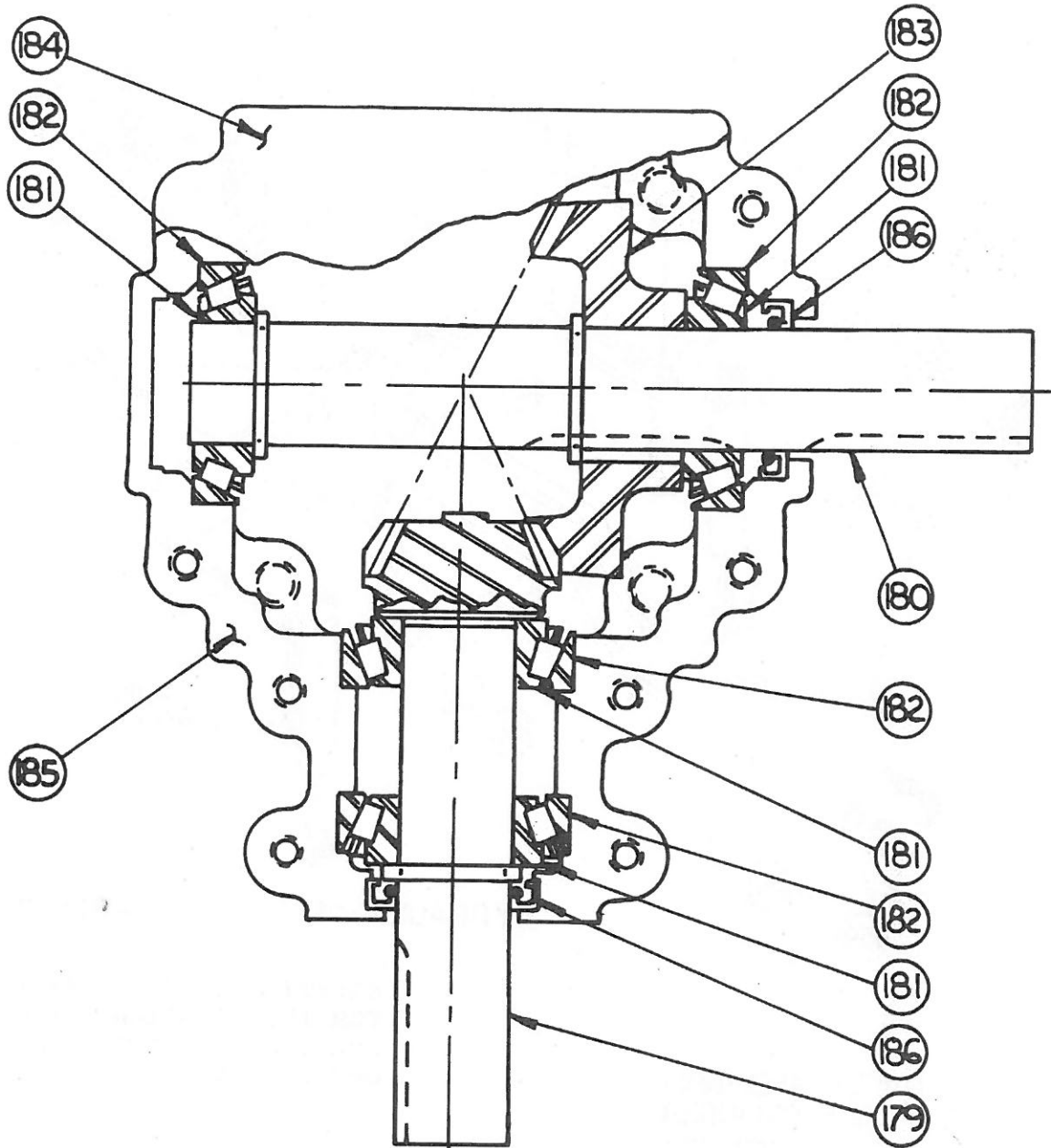
CASTOR WHEEL ASSEMBLY



PTO ASSEMBLY

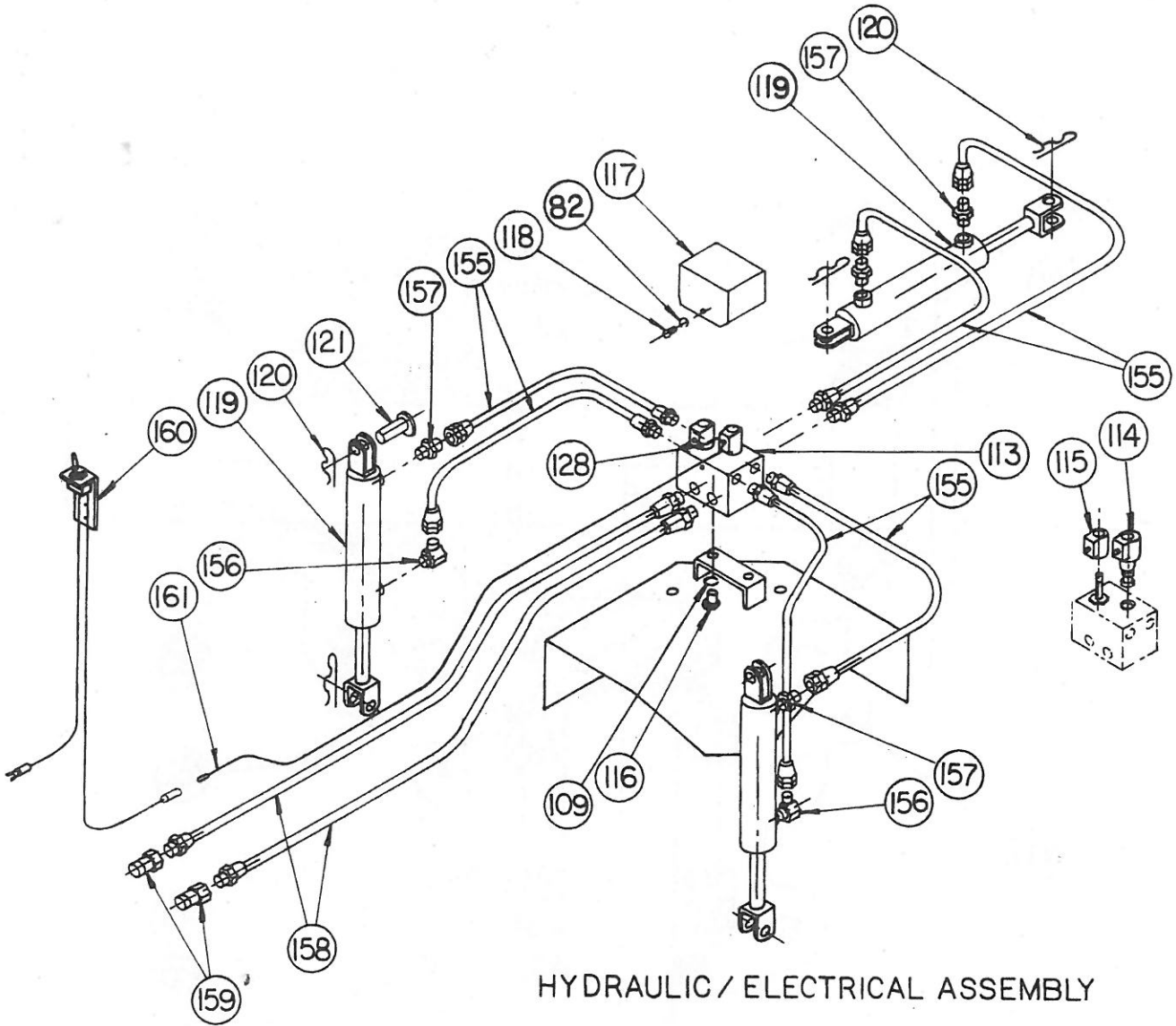


GEAR BOX ASSEMBLY



GEAR BOX

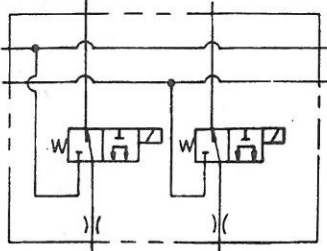
HYDRAULIC AND ELECTRICAL ASSEMBLY



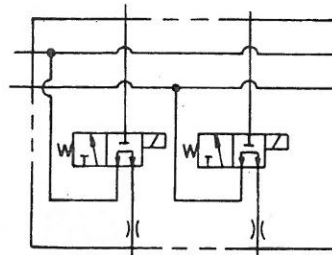
HYDRAULIC / ELECTRICAL ASSEMBLY

SAFETY GUARDS ARE REMOVED FOR ILLUSTRATION PURPOSES ONLY. DO NOT OPERATE WITHOUT GUARDS IN PLACE.

FLOW TO AND FROM BI-ANGLE CYLINDER



FROM TRACTOR VALVE DE-ENERGIZED



FLOW TO AND FROM SCARIFIER CYLINDERS

FROM TRACTOR VALVE ENERGIZED

HYDRAULIC SCHEMATIC

PARTS LIST

ITEM QTY. PART NO. DESCRIPTION

1	1	M6201	Frame
2	1	M6244	Rough Roller
3	1	M6245	Smooth Roller
4	1	P015300	1-1/2" ECC Lock Collar
5	1	M6687	1-1/2" Cartridge Bearing (See#200/201)
6	1	P500203	O-RING 3/8" x 2-5/8" I.D.
7	1	P100608	3/8" x 2" Hex Bolt
8	15	P851106	3/8" Lock Washer
9	1	P620100	1/4" - 28 x 90° Grease Fitting
10	2	P015301	1-3/8" ECC. Lock Collar
11	1	M6261	1-3/8" Tap Base Bearing Assembly
12	1	P015200	Tap Base Housing
13	1	P009500	1-3/8" Bearing Insert
14	1	P015302	1-3/8" Setscrew Collar
15	1	M6232	Slide Bar
16	2	M6260	Slide Bar Shim
17	1	P100808	1/2" x 2" Hex Bolt
18	1	P100818	1/2" x 4-1/2" Hex Bolt
19	1	P100816	1/2" x 4" Hex Bolt
20	31	P851108	1/2" Lock Washer
21	1	M6220	RTU Bearing Support
22	8	P100806	1/2" x 1-1/2" Hex Bolt
23	15	P150800	1/2" Hex Nut
24	1	P009700	1-3/8" RTU Bearing
25	1	M6056	RTU Nut
26	2	P108512	5/16" x 3/4" Allen Setscrew
27	2	P155300	5/16" Hex Jam Nut
28	1	M6229	Roller Adjusting Screw
29	2	M6267	Sleeve
30	3	P603500	Spring 5-1/2"
31	2	P400021	Spring 2-1/2"
32	5	P850612	3/4" Washer
33	2	P157600	3/4" Self Lock Nut
34	1	P111002	Roller Adjusting Screw
35	1	P956400	Bearing Slide
36	1	P500100	QUAD Ring Seal
37	1	P015000	1-3/8" Flange Bearing
38	5	P100804	1/2" x 1" Hex Head Bolt
39	2	P851608	1/2" Heavy Washer
40	2	P620000	1/4"-28 x 45° Grease Fitting
41	1	M6231	Slide Bar
42	5	P100604	3/8" x 1" Hex Head Bolt
43	2	P850106	3/8" Flat Washer
44	2	P620400	1/8" NPT x 90° Grease Fitting
45	1	M6281	Chain Case
46	1	M6256	Bearing Housing Assembly
47	1	M6227	Bearing Housing
48	1	P635005	Drive Shaft
49	2	P009204	Ball Bearing
50	2	P62610	3/4" Rue Ring Cotter
51	3	P101014	5/8" x 3-1/2 Hex Head Bolt
52	3	P851110	5/8" Lock Washer
53	1	P151000	5/8" Hex Nut
54	1	M6225	Tensioner
55	1	M6226	Tension Washer

ITEM QTY. PART NO. DESCRIPTION

56	1	P477005	Idler
57	1	P100810	1/2" x 2-1/2" Hex Head Bolt
58	1	P900100	Yoke
59	1	P118700	Clevis Pin
60	1	P116003	3/32" x 3/4" Cotter Pin
61	1	P102629	3/8" x 7-1/4" Fine Thread Bolt
62	1	M6021	Spring Washer
63	1	P150601	3/8" - 24 Hex Nut
64	3	P855122	10 Ga. x 1-3/8" Machine Bushing
65	1	P855322	14 Ga. x 1-3/8" Machine Bushing
66	4	P855522	18 Ga. x 1-3/8" Machine Bushing
67	2	P661411	Sprocket 1-3/8" - Double 60
68	3	P158000	3/4" - 16 Hex x Slotted Nut
69	3	P116256	5/32" x 1-1/2" Cotter Pin
70	3	P952200	1-3/8" Snap Ring
71	1	P952100	1-1/2" Snap Ring
72	1	P661412	Sprocket 1-1/2" - Double 60
73	1	P855124	10 Ga. x 1-1/2" Machine Bushing
74	1	P855524	18 Ga. x 1-1/2" Machine Bushing
75	1	M6270	#60-2 Chain x 73 Pitch
76	1	P630202	#60-2 Connector
77	1	M6243	Cover Tab
78	1	P500200	O-Ring 3/32" x 3-3/4"
79	1	M6240	Cover Assembly
80	5	P500300	Seal Washer
81	3	P110901	1/4" - 20 x 3/4" BTN. Head Bolt
82	5	P851104	1/4" Lock Washer
83	1	P100402	1/4" x 1/2" Hex Head Bolt
84	1	M6286	Cover Assembly
85	7	P850105	5/16" Flat Washer
86	2	P100406	1/4" x 1-1/2" Hex Bolt
87	1	M6289	Case Seal
88	1	P278001	Breather
89	1	M6206	Mast Weldment
90	1	M6218	Pivot Bushing
91	1	P101622	Pivot Bolt
92	1	P970301	Warning Decal Small
93	1	P156401	1" Lock Nut
94	1	P975503	Decal Oil Bath
95	1	M6219	Spacer
96	8	P110900	1/2" x 4-3/4" Hex Head Bolt
97	1	P205400	Gear Box
98	3	M5000-5	5/16" x 2" Square Key
99	1	P400700-1 & P400700-2	PTO W/Clutch
100	1	M6266	PTO Support Chain
101	2	M8073	7/8" Pin
102	3	P108610	3/8" x 5/8" Allen Set Setscrew
103	3	P108616	3/8" x 1" Allen Set Setscrew
104	6	P155400	3/8" Hex Jam Nut
105	1	M6262	Shield
106	1	P128600	Band Clamp
107	1	P128500	U-Bolt
108	1	M6258	Shield Mount
109	11	P851105	5/16" Lock Washer
110	9	P150500	5/16" Hex Nut

PARTS LIST

ITEM	QTY.	PART NO.	DESCRIPTION	ITEM	QTY.	PART NO.	DESCRIPTION
111	1	P400400-1 & P400400-2	Front PTO	167	1	P403102	Outer Guard
112	1	M6224	Gearbox Shield	168	1	P400705	Yoke and Shaft
113	1	P290300	Cartridge Valve	169	1	P400700-1	Friction Clutch Assembly
114	2	P290301	Solenoid Valve Cartridge	170	6	P400712	Bolt
115	2	P290302	Solenoid Coil	171	2	P400019	Friction Disc
116	2	P100503	5/16" x 3/4" Hex Head Bolt	172	6	P400020	Spring
117	1	M6257	Valve Cover	173	1	P400031	Lock Yoke Repair Kit
118	3	P100402	1/4" x 1/2" Hex Head Bolt	174	1	P400803	Lock Yoke Assembly
119	3	P256000	1-1/2" x 8" Hydraulic Cylinder	175	1	P400804	Yoke and Shaft
120	3	P622600	Hair Pin	176	1	P400805	Outer Guard
121	2	M5017	3/4" x 1-1/2" Pin	177	1	P400809	Inner Guard
122	1	M6222	Lift Tube Left	178	1	P400807	Yoke and Tube
123	1	M6221	Lift Tube Right	179	1	P205408	Geared Pinion Shaft
124	9	P100611	3/8" x 2-3/4" Hex Head Bolt	180	1	P205413	Cross Shaft
125	10	P150600	3/8" Hex Nut	181	4	P205403	Tapered Bearing Cone
126	1	M6235	Stand	182	4	P205410	Tapered Bearing Cup
127	1	M6265	5/8" Pin Assembly	183	1	P205401	Gear (2:1 Ratio 30 Tooth)
128	1	M6271	Wire Assembly 6"	184	1	P205409	Casting Top Half
129	2	P756100	Wheel and Tire	185	1	P205402	Casting Bottom Half
130	6	P850812	3/4" SAE Washer	186	2	P205404	Seals (1-3/8" Shaft O.D.)
131	6	P116307	Cotter Pin 3/16" x 1-3/4"	187	1	P970100	"A" Warning Decal
132	2	M6215	Axle	188	2	P970200	"B" Warning Decal
133	1	P100405	1/4" x 1-1/4" Hex Bolt	189	2	P970300	"C" Warning Decal
134	2	M6223	Washer	190	1	P975700	Lube Decal
135	2	P100804	1/2" x 1" Hex Bolt	191	1	P975500	Power Rake Decal
136	4	P852200	Felt Washer	192	7	P702800	Mini Tine Shovel
137	4	P760300	Bearing Cone	193	7	P702900	5/16" x 1" Shovel Bolt
138	4	P760500	Bearing Cup	194	1	P975800	Harley Logo
139	2	M6211	Caster Fork	195	2	P102804	1/2" X 1" Fine Thd. Bolt
140	3	P620200	Grease Fitting 1/4" - 28 Str.	196	1	P975501	Decal Logo
141	2	P850620	1-1/4" Washer	197	2	P158006	1/2" Slotted Nut
142	1	P158003	1/4" Lock Nut	198	2	P852608	1/2" Hardened Washer
143	2	M6291	Caster Support	199	2	P116204	1/8" x 1" Cotter Pin
144	2	M6701	Caster Shaft	200	1	P015210	1 1/2" Cartridge Bearing Housing
145	3	M5009-5	Flat Washer 1/2" I.D x 2" O.D.	201	1	P010400	1 1/2" Bearing Insert
146	2	M6415	Handle	202	2	P481010	Cover Spacer
147	6	P128318	1/2" x 4-1/2" U-Bolt	203	2	P500302	1/4" Rubber Faced Washer
148	1	M6209	Mast Hitch	204	2	P102808	1/2" x 2" Fine Thread Bolt
149	1	M5003	3/4" Pin	205	1	M6301	Sleeve
150	1	P850112	3/4" Washer				
151	1	M6011	Tine Tool Bar				
152	7	P702600	Mini Tine (NLF Call)				
153	7	P702700	Mini Tine Bracket				
154	1	P975502	Decal Rake				
155	6	P245015	1/4" Hose Assembly - 27" Long				
156	2	P261300	90° Elbow 1/2" NPT - 6 JIC				
157	4	P276105	Adapter 1/2" NPT - 6 JIC				
158	2	P252500	1/2" Hose Assembly 60" Long				
159	2	P272600	Quick Coupler				
160	1	M6272	Scarifier Switch				
161	1	M6273	Wire Assembly 72"				
162	4	P400002	14R Repair Kit				
163	2	P400036	1-3/8" Round End Yoke				
164	1	P400709	Yoke and Tube				
165	1	P400710	Inner Guard				
166	2	P970400	Safety Sign				