

# Preparator

Preparator

## Contents

### **66 Inch Preparator**

Bucket Assembly Preparator 66 inch .....	1
Drum Assembly Preparator 66 inch .....	3
Tube Assembly Preparator 66 inch .....	5
Shroud Assembly Preparator 66 inch .....	7
Hydraulic Assembly Preparator .....	9

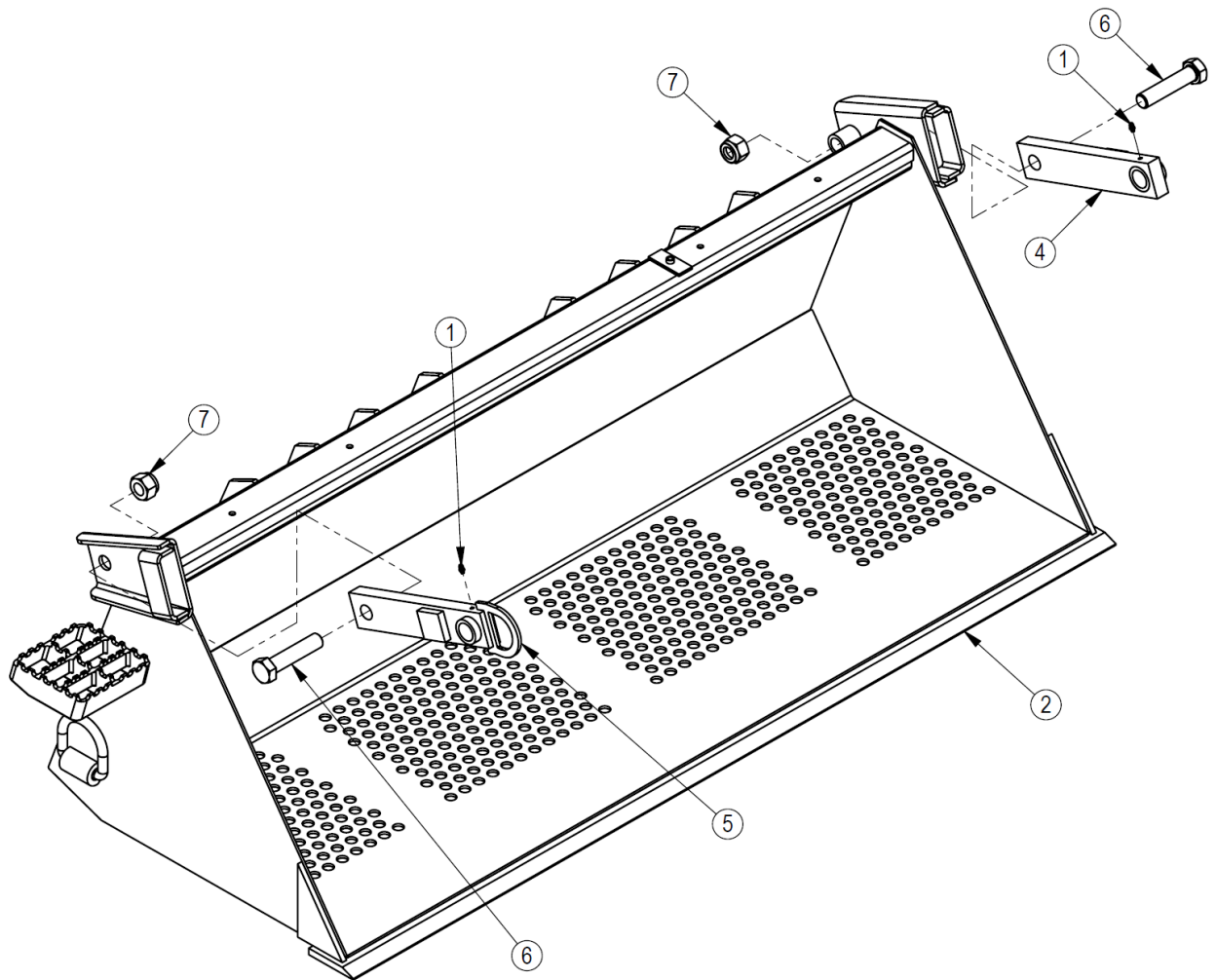
### **76 Inch Preparator**

Bucket Assembly Preparator 76 inch .....	11
Drum Assembly Preparator 76 inch .....	13
Tube Assembly Preparator 76 inch .....	15
Shroud Assembly Preparator 76 inch .....	17
Hydraulic Assembly Preparator .....	19

### **Replacement Decals Preparator**

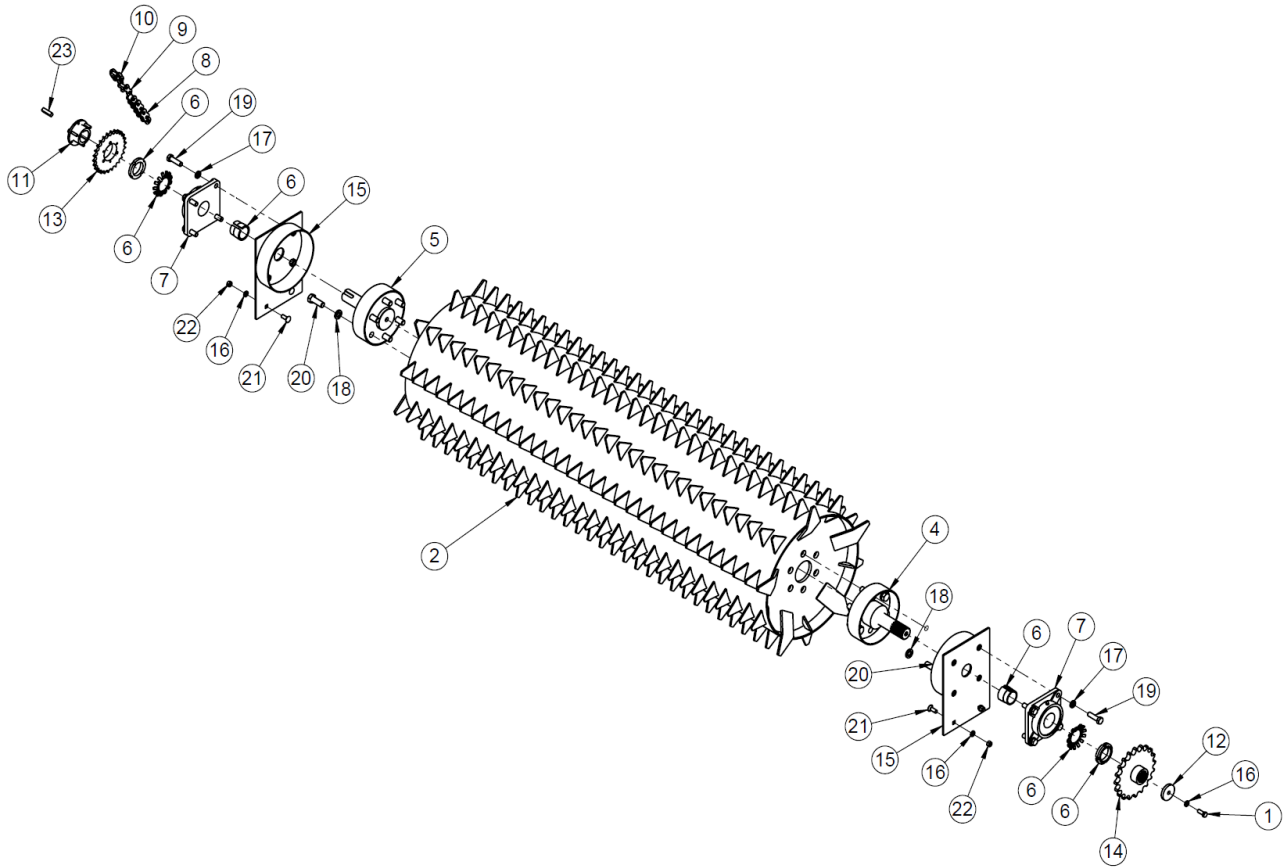
Verbiage Decals Preparator .....	21
----------------------------------	----

66 Inch Preparator



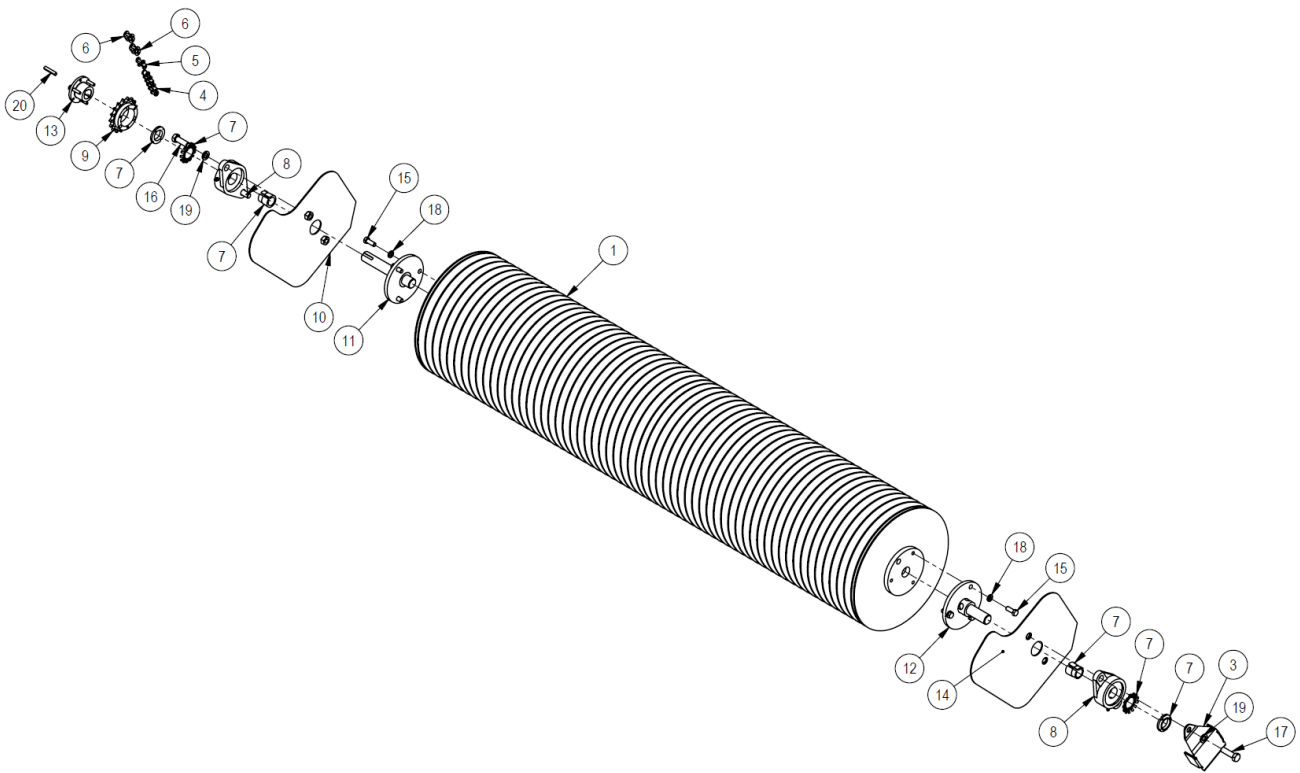
Item	Qty	Part No.	Name	Additional Info
1	2	07-3112	FTG GREASE 1/4-28 SELF TAP	
Comments for Part Num. 07-3112				
Apply 08-2266 (NGLI # 2 Grease)				
2	1	LAF3501-0022	Bucket	With Universal Mounting, Call Dealer for your Prime Mover
4	1	LAF3507-0000	WELD PIVOT LINKAGE LH PREPARATOR	
5	1	LAF9990-0000	WELD PIVOT LINKAGE RH PREPARATOR	
6	2	RHW1912-0000	SCREW HHC 1.00-8x4.50 GR5 PLD	
7	2	RHW7902-0000	NUT HEX NYLOCK 1.00-8 GR5 PLD	

66 Inch Preparator



Item	Qty	Part No.	Name	Additional Info
1	1	07-0018	SCREW HHC .38-16x1.00 GR8 PLD	
2	1	LAF3505-0000	WELD DRUM 66" PREPARATOR	
2.1	300	ILA9907-0000	PLATE TOOTH PREPARATOR	
2.2	10	ILA9906	Outside Tooth	
4	1	LAF3509-0000	L.H. ROTOR DRIVE SHAFT	
5	1	LAF3510-0000	R.H. ROTOR DRIVE SHAFT	
6	2	LAF3512-0000	BEARING TAPER LOCK ADAPT ER	
7	2	LAF3513-0000	ROTOR BEARING	
8	1	LAF3516-0000	#80H ROLLER CHAIN-59 LINKS NEW STYL	
9	1	LAF3517-0000	#80H CONNECTING LINK	
10	1	LAF3518-0000	#80 H OFFSET (HALF) LINK	
11	1	LAF3532-0000	1.5 QD LOCK SPROKT BSHNG	
12	1	LAF3540-0000	SPROCKET RETAINER	
13	1	LAF3544-0000	BRUSH DRIVE SPROCKET-LOWER	
14	1	LAF3549-0000	DRUM DRV SPROCKT-LOWER 20T	
15	2	LAF3585-0000	WELD ROTOR MTG PLATE PREPARATOR	
16	5	P851106	WASHER LOCK SPLIT MED .38 PLD ST	
17	8	P851108	WASHER LOCK SPLIT MED .50 PLD ST	
18	12	P851110	WASHER LOCK SPLIT MED .63 PLD ST	
19	8	RHW1406-0000	SCREW HHC .50-13x1.75 GR5 PLD NYLOCK	
20	12	RHW1603-0000	SCREW HHC .63-11x1.75 GR5 PLD NYLOCK	
21	4	RHW2205-0000	BOLT CRG .38-16x1.00 GR5 PLD	
22	4	RHW7201-0000	NUT HEX .38-16 GR5 PLD	
23	1	RHW8071-0000	SQ KEY .38x1.50	

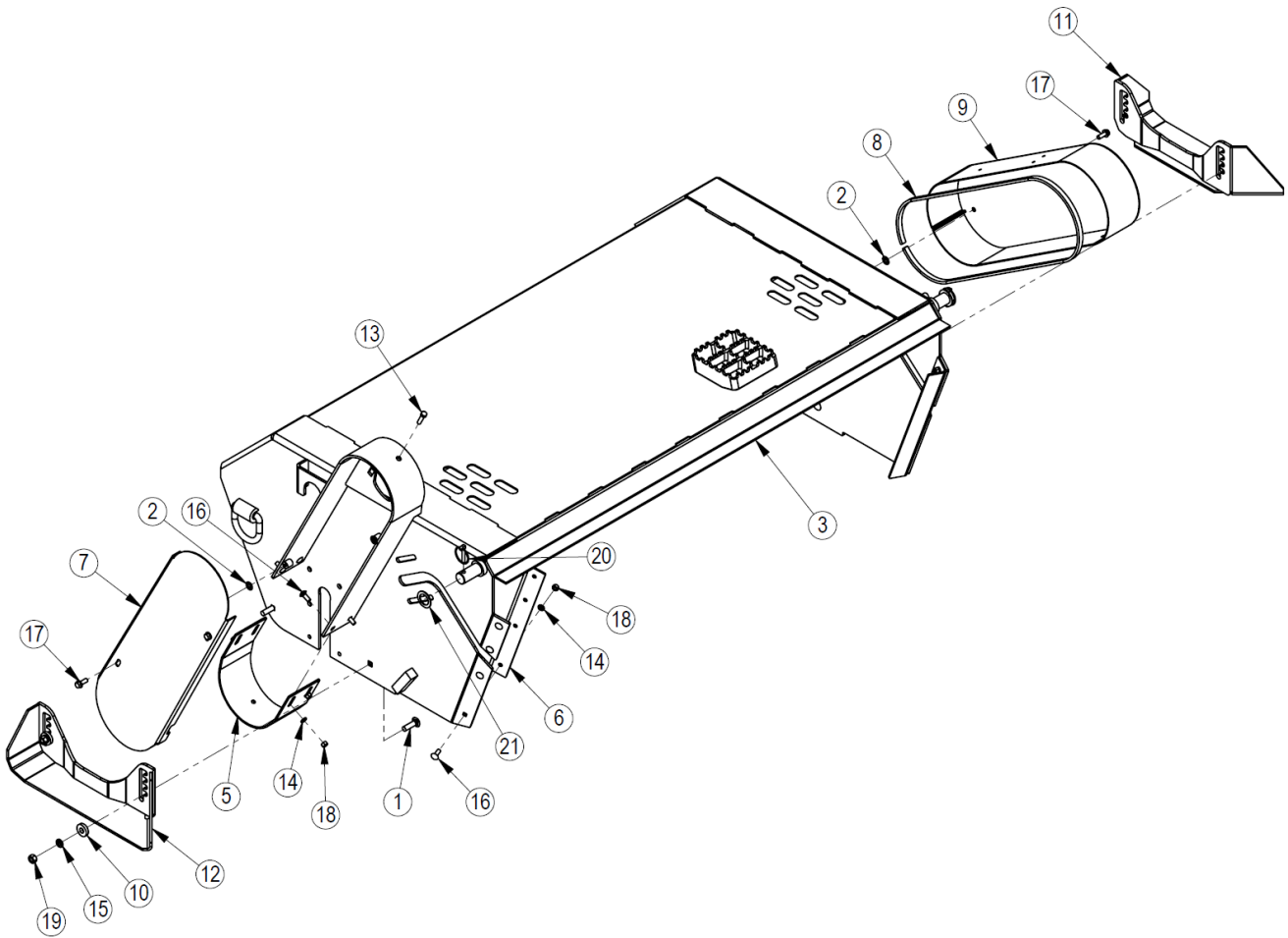
66 Inch Preparator



Item	Qty	Part No.	Name	Additional Info
1	1	01-9316	ASSY TUBE BRSH PREPERATOR FFC 62IN	
3	1	13-18176	Shaft End Guard	
4	1	LAF3520-0000	BRUSH DRIVE CHAIN #50H-65 PITCHES	
5	1	LAF3521-0000	#50H CONNECTING LINK	
6	2	LAF3522-000	Offset Connecting Link #50H	
7	2	LAF3533	TAPER LOCK ADP ASSY	
8	2	LAF3534	BEARING TAPERED BORE 30MM 2-BOLT FLG	
9	1	LAF3536-0000	BRUSH DRV SPROCKT - UPPER	
10	1	LAF3550-0000	WELD BRUSH BAFFLE PLATE RH	
11	1	LAF3564-0000	WELD BRUSH DRIVE STUB SHAFT RH	
12	1	LAF3565-0000	WELD BRUSH DRIVE STUB SHAFT LH	
13	1	LAF3567-0000	1 SPROCKET BUSHING	
14	1	LAF3588-0000	WELD BRUSH BAFFLE PLATE LH	
15	6	P100604	SCREW HHC .38-16x1.00 GR5 PLD	
16	2	P100806	SCREW HHC .50-13x1.50 GR5 PLD	
17	2	P100807	SCREW HHC .50-13x1.75 GR5 PLD	
18	6	P851106	WASHER LOCK SPLIT MED .38 PLD ST	
19	4	P851108	WASHER LOCK SPLIT MED .50 PLD ST	
20	1	RHW8072-0000	SQ KEY .25x1.50 F/PREPARATOR	

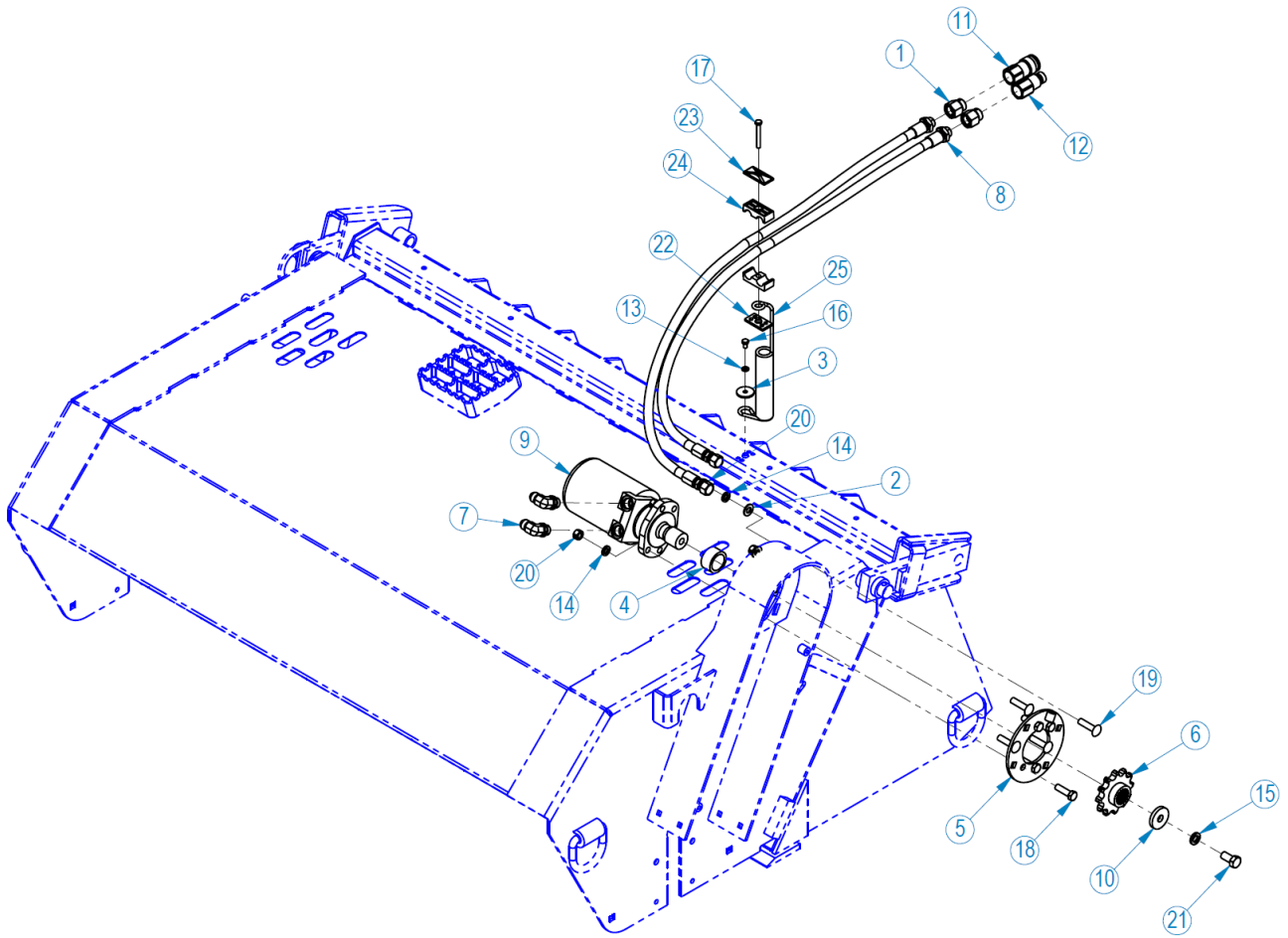


66 Inch Preparator



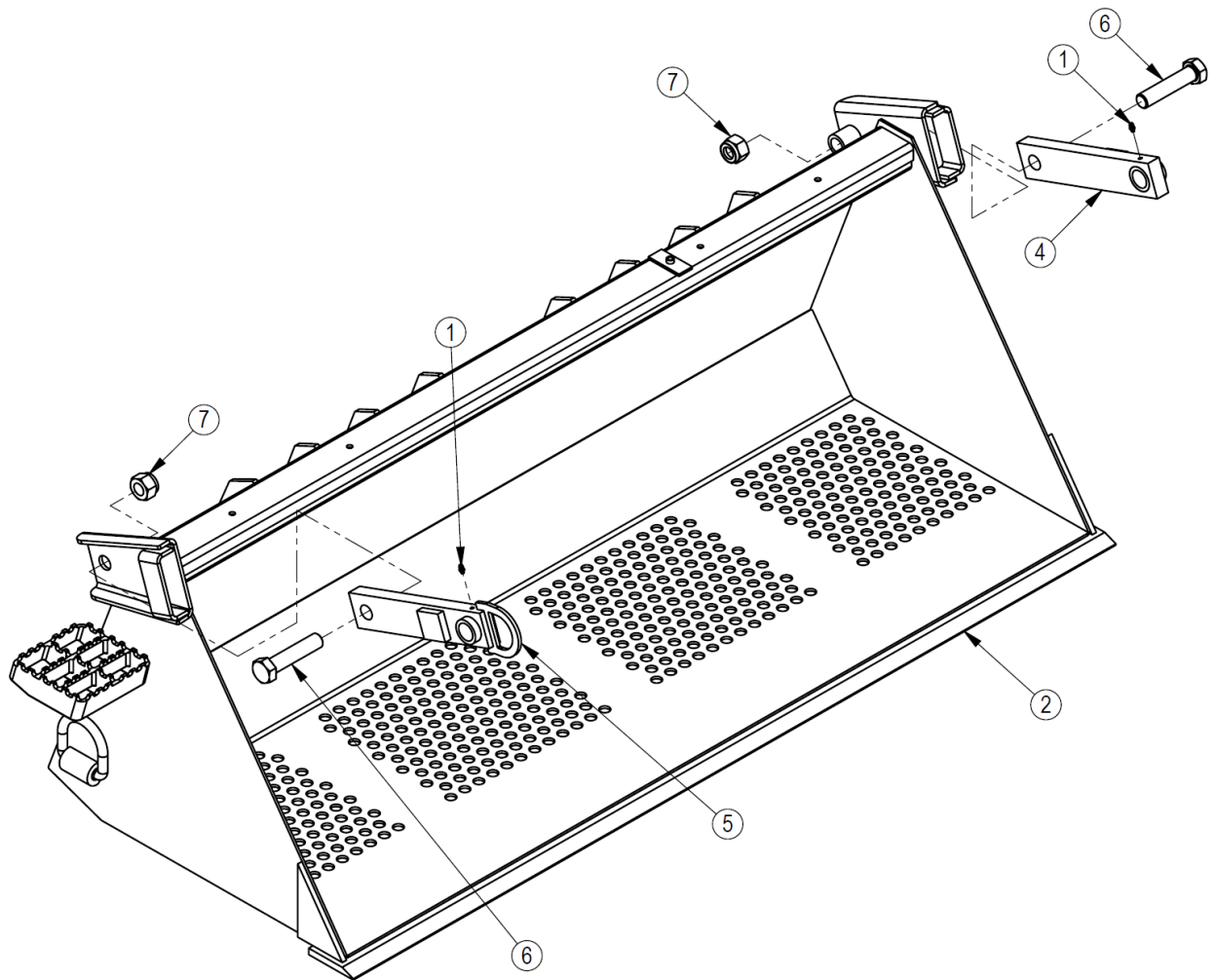
Item	Qty	Part No.	Name	Additional Info
1	4	07-3709	BOLT CRG .50-13x1.75 GR5 PLD	
2	4	07-7864	Nut Pushnut 0.38 Retainer	
3	1	LAF3503-0000	Shroud	
5	1	LAF3524-0000	PLATE 7GA MOTOR MOUNT CHANNEL CAP	
6	2	LAF3525-0000	Brace Angle	
7	1	LAF3526-0000	Rotor Drive Shield Side Cover	
8	1	LAF3537-0000	GASKET-BRUSH DRIVE SHIELD	
9	1	LAF3584-0000	WELD BRUSH DRIVE SHROUD PREPARATOR	
10	4	LAF3597-0000	SKID SHOE RETAINER	
11	1	LAF9982-0000	WELD SKIDSHOE RT PREPARATOR	
12	1	LAF9983-0000	WELD SKIDSHOE LT PREPARATOR	
13	1	P100606	SCREW HHC .38-16x1.50 GR5 PLD	
14	12	P851106	WASHER LOCK SPLIT MED .38 PLD ST	
15	4	P851108	WASHER LOCK SPLIT MED .50 PLD ST	
16	12	RHW2205-0000	BOLT CRG .38-16x1.00 GR5 PLD	
17	4	RHW4025-0000	SCREW HFH .38-16x1.00 GR8 PLD SERRATED	
18	12	RHW7201-0000	NUT HEX .38-16 GR5 PLD	
19	4	RHW7401-0000	NUT HEX .50-13 GR5 PLD	
20	2	RHW8061-0000	LYNCH PIN .31x1.56 (1.25 USEABLE)	
21	2	RHW8602-0000	MACH BSHG 14GA. 1.25 ID- 1.88 OD	

66 Inch Preparator



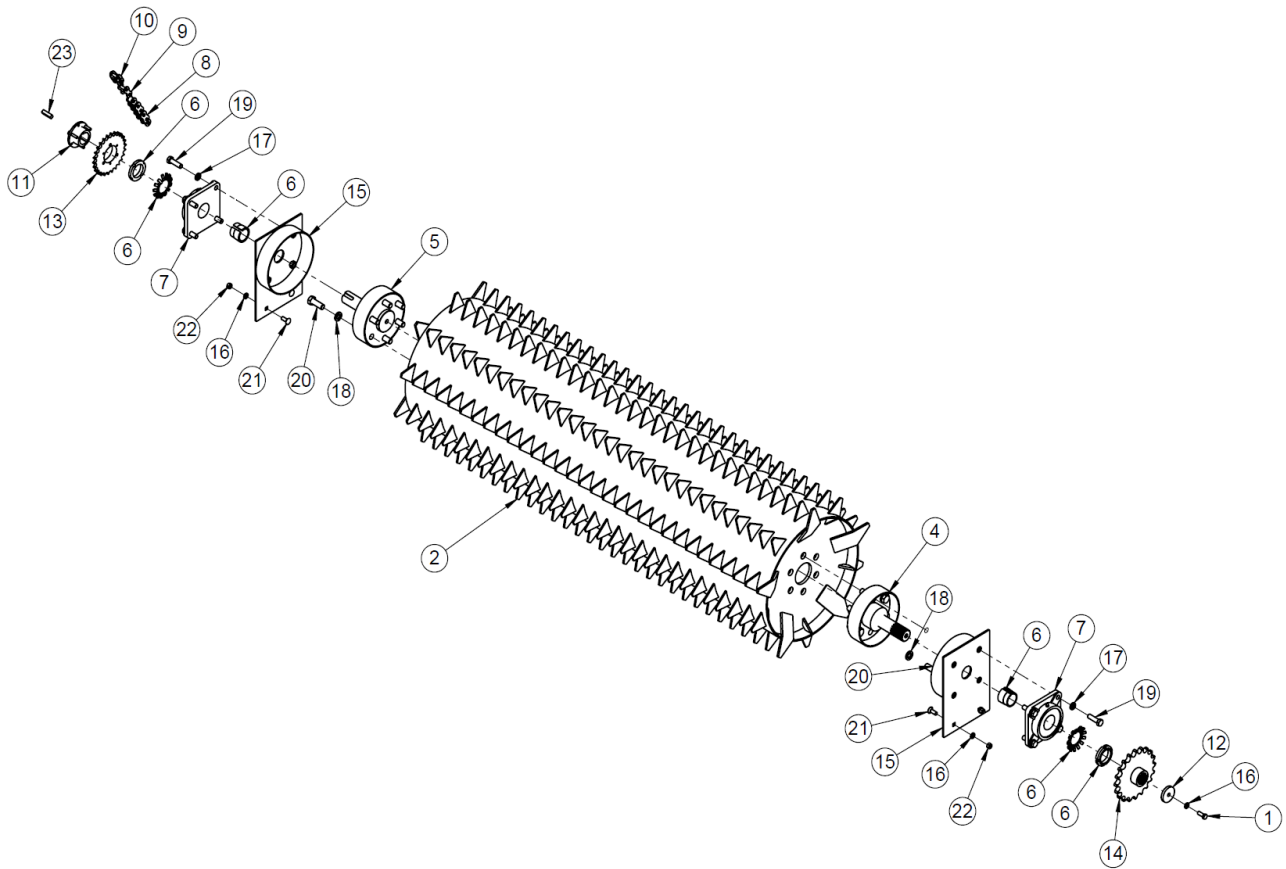
Item	Qty	Part No.	Name	Additional Info
1	2	03-4618	FTG 10FB-12MB	
2	4	07-1763	WASHER FL .50 GR8 SAE PLD HARD	
3	1	105840	WASHER FENDER .34x1.50x10GA PLD	
4	1	LAF3514-0000	TUBE RD 2x1.515x1.06 MOTOR SHAFT	
5	1	LAF3530-0000	MOTOR MOUNT WELD F/PREPARATOR	
6	1	LAF3546-0000	DRUM DRV SPROCKT-UPPER 12T	
7	2	LAF4278-0000	ELBOW 90 10MB-10MJ	
8	2	LAF4321-0000	HOSE .50x104 10MB-10FJ 4K HS	
9	1	LAF4772-0000	MOTOR 24.7 CID 1.50 17T 4BOLT MAGNETO	
10	1	LAF9965-0000	SPROCKET RETAINER	
11	1	P272670	QD 8 FF F 12FB ISO 16028	
12	1	P272671	QD 8 FF M 12FB ISO 16028	
13	1	P851105	WASHER LOCK SPLIT MED .31 PLD ST	
14	8	P851108	WASHER LOCK SPLIT MED .50 PLD ST	
15	1	P851110	WASHER LOCK SPLIT MED .63 PLD ST	
16	1	RHW1101-0000	SCREW HHC .31-18x.50 GR5	
17	1	RHW1112-0000	SCREW HHC .31-18x2.50 GR5 PLD	
18	4	RHW1406-0000	SCREW HHC .50-13x1.75 GR5 PLD NYLOCK	
19	4	RHW2404-0000	BOLT CRG .50-13x1.25 GR5 PLD	
20	8	RHW7403-0000	NUT HEX CTR DNT LOCK .50-13 GR A PLD	
21	1	RHW8113-0000	SCREW HHC .63-18x1.25 GR5 PLD	
22	1	RHW8613	WELD PLATE F/.88 OD	
23	1	RHW8614	COVER PLATE F/.88 OD	
24	1	RHW8616	HOSE CRADLE F/.88 OD HOSE	
25	1	RHW8618	HOSE SPRING STAY	

76 Inch Preparator



Item	Qty	Part No.	Name	Additional Info
1	2	07-3112	FTG GREASE 1/4-28 SELF TAP	
<p>Comments for Part Num. 07-3112</p> <p>Apply 08-2266 (NGLI # 2 Grease)</p>				
2	1	LAF3502-0022	Bucket	With Universal Mounting, Call Dealer for your Prime Mover
4	1	LAF3507-0000	WELD PIVOT LINKAGE LH PREPARATOR	
5	1	LAF9990-0000	WELD PIVOT LINKAGE RH PREPARATOR	
6	2	RHW1912-0000	SCREW HHC 1.00-8x4.50 GR5 PLD	
7	2	RHW7902-0000	NUT HEX NYLOCK 1.00-8 GR5 PLD	

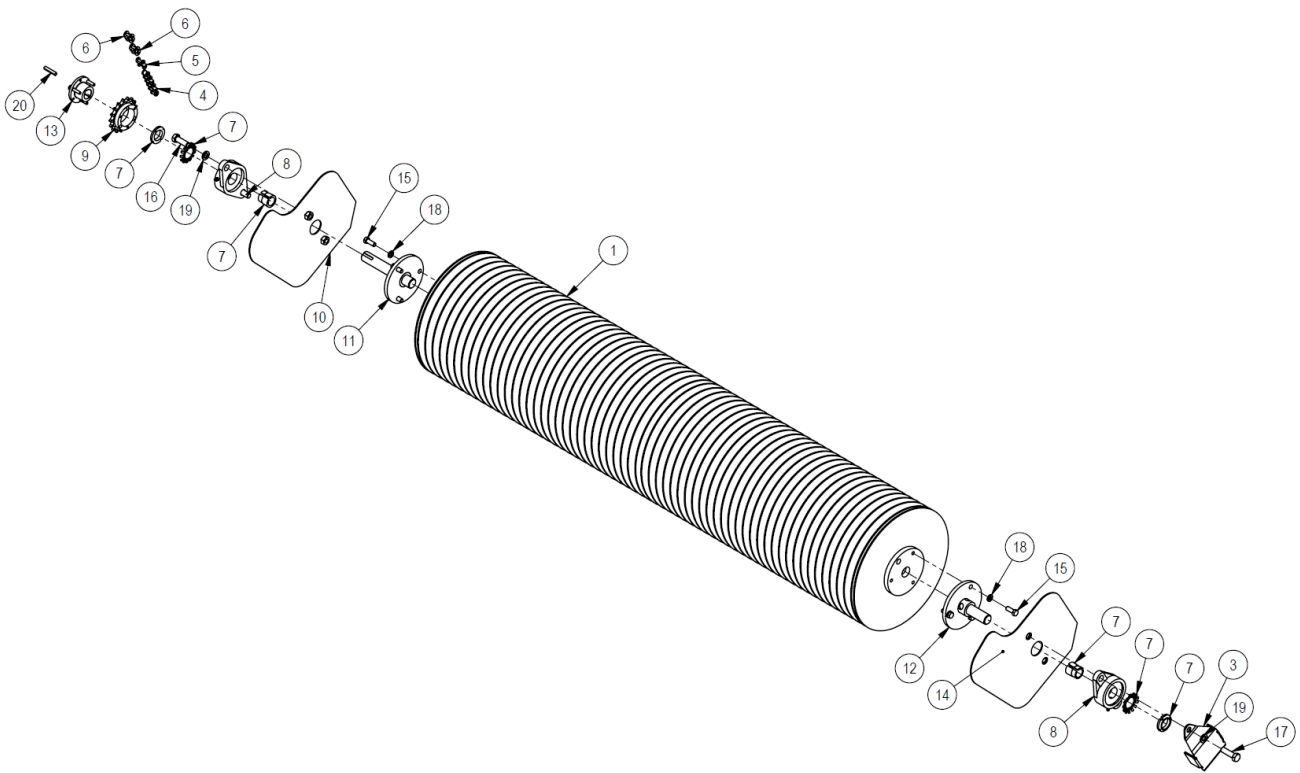
76 Inch Preparator



Item	Qty	Part No.	Name	Additional Info
1	1	07-0018	SCREW HHC .38-16x1.00 GR8 PLD	
2	1	LAF3506-0000	WELD DRUM 76" PREPARATOR	
2.1	350	ILA9907-0000	PLATE TOOTH PREPARATOR	
2.2	10	ILA9906-0000	ROTOR TUBE END TOOTH F/PREPARATOR	
4	1	LAF3509-0000	L.H. ROTOR DRIVE SHAFT	
5	1	LAF3510-0000	R.H. ROTOR DRIVE SHAFT	
6	2	LAF3512-0000	BEARING TAPER LOCK ADAPT ER	
7	2	LAF3513-0000	ROTOR BEARING	
8	1	LAF3516-0000	#80H ROLLER CHAIN-59 LINKS NEW STYL	
9	1	LAF3517-0000	#80H CONNECTING LINK	
10	1	LAF3518-0000	#80 H OFFSET (HALF) LINK	
11	1	LAF3532-0000	1.5 QD LOCK SPROKT BSHNG	
12	1	LAF3540-0000	SPROCKET RETAINER	
13	1	LAF3544-0000	BRUSH DRIVE SPROCKET-LOWER	
14	1	LAF3549-0000	DRUM DRV SPROCKET-LOWER 20T	
15	2	LAF3585-0000	WELD ROTOR MTG PLATE PREPARATOR	
16	5	P851106	WASHER LOCK SPLIT MED .38 PLD ST	
17	8	P851108	WASHER LOCK SPLIT MED .50 PLD ST	
18	12	P851110	WASHER LOCK SPLIT MED .63 PLD ST	
19	8	RHW1406-0000	SCREW HHC .50-13x1.75 GR5 PLD NYLOCK	
20	12	RHW1603-0000	SCREW HHC .63-11x1.75 GR5 PLD NYLOCK	
21	4	RHW2205-0000	BOLT CRG .38-16x1.00 GR5 PLD	
22	4	RHW7201-0000	NUT HEX .38-16 GR5 PLD	
23	1	RHW8071-0000	SQ KEY .38x1.50	

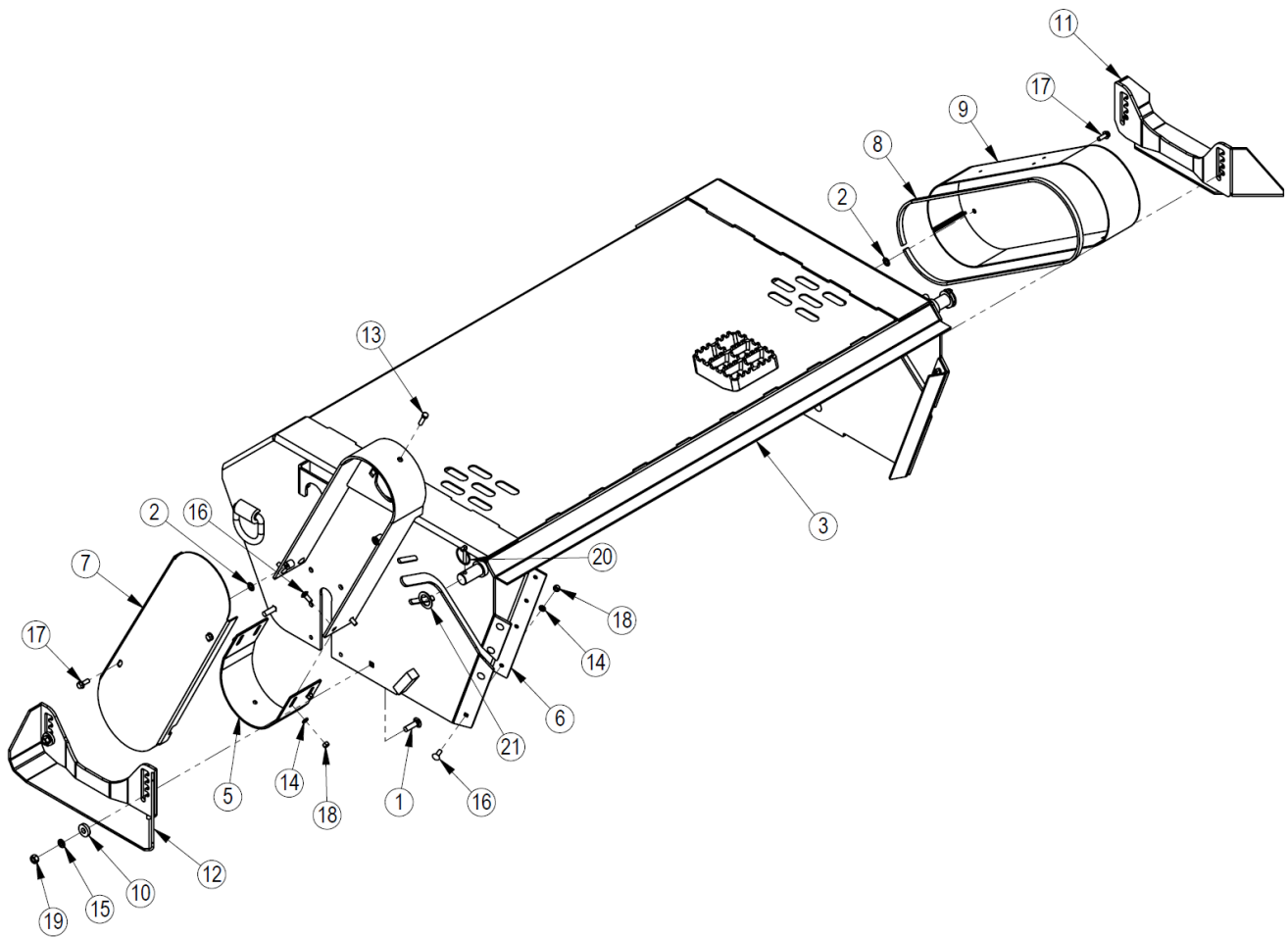


76 Inch Preparator



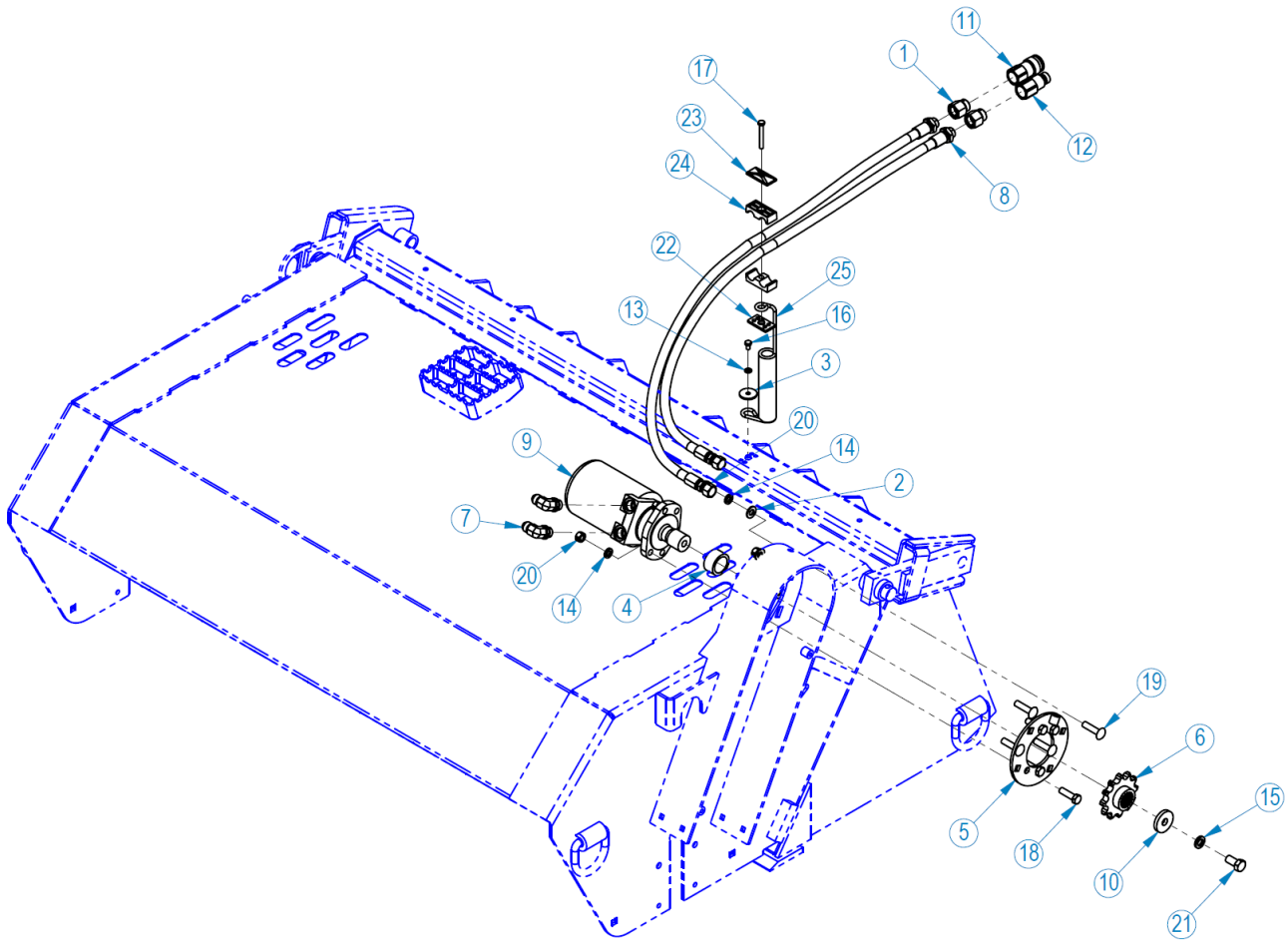
Item	Qty	Part No.	Name	Additional Info
1	1	01-9317	ASSY TUBE BRSH PREPERATOR FFC 72IN	
3	1	13-18176	Shaft End Guard	
4	1	LAF3520-0000	BRUSH DRIVE CHAIN #50H-65 PITCHES	
5	1	LAF3521-0000	#50H CONNECTING LINK	
6	2	LAF3522-000	Offset Connecting Link #50H	
7	2	LAF3533	TAPER LOCK ADP ASSY	
8	2	LAF3534	BEARING TAPERED BORE 30MM 2-BOLT FLG	
9	1	LAF3536-0000	BRUSH DRV SPROCKT - UPPER	
10	1	LAF3550-0000	WELD BRUSH BAFFLE PLATE RH	
11	1	LAF3564-0000	WELD BRUSH DRIVE STUB SHAFT RH	
12	1	LAF3565-0000	WELD BRUSH DRIVE STUB SHAFT LH	
13	1	LAF3567-0000	1 SPROCKET BUSHING	
14	1	LAF3588-0000	WELD BRUSH BAFFLE PLATE LH	
15	6	P100604	SCREW HHC .38-16x1.00 GR5 PLD	
16	2	P100806	SCREW HHC .50-13x1.50 GR5 PLD	
17	2	P100807	SCREW HHC .50-13x1.75 GR5 PLD	
18	6	P851106	WASHER LOCK SPLIT MED .38 PLD ST	
19	4	P851108	WASHER LOCK SPLIT MED .50 PLD ST	
20	1	RHW8072- 0000	SQ KEY .25x1.50 F/PREPARATOR	

76 Inch Preparator



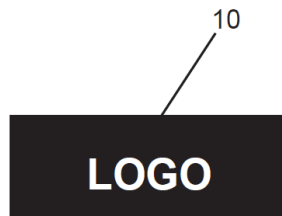
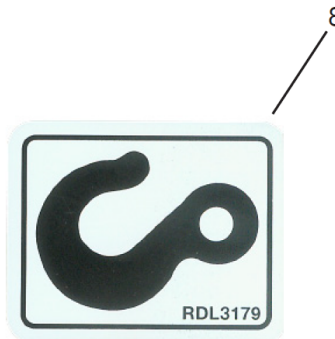
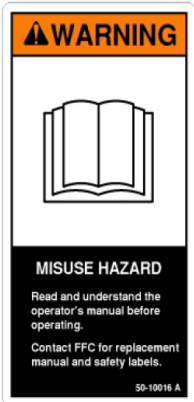
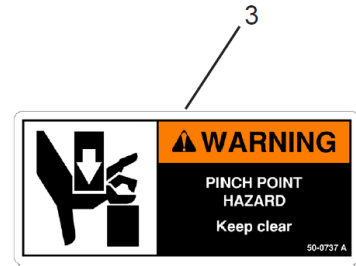
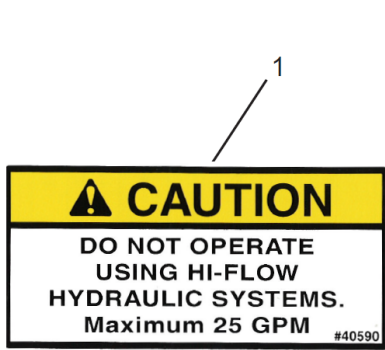
Item	Qty	Part No.	Name	Additional Info
1	4	07-3709	BOLT CRG .50-13x1.75 GR5 PLD	
2	4	07-7864	Nut Pushnut 0.38 Retainer	
3	1	LAF3504-0000	Shroud	
5	1	LAF3524-0000	PLATE 7GA MOTOR MOUNT CHANNEL CAP	
6	2	LAF3525-0000	Brace Angle	
7	1	LAF3526-0000	Rotor Drive Shield Side Cover	
8	1	LAF3537-0000	GASKET-BRUSH DRIVE SHIELD	
9	1	LAF3584-0000	WELD BRUSH DRIVE SHROUD PREPARATOR	
10	4	LAF3597-0000	SKID SHOE RETAINER	
11	1	LAF9982-0000	WELD SKIDSHOE RT PREPARATOR	
12	1	LAF9983-0000	WELD SKIDSHOE LT PREPARATOR	
13	1	P100606	SCREW HHC .38-16x1.50 GR5 PLD	
14	12	P851106	WASHER LOCK SPLIT MED .38 PLD ST	
15	4	P851108	WASHER LOCK SPLIT MED .50 PLD ST	
16	12	RHW2205-0000	BOLT CRG .38-16x1.00 GR5 PLD	
17	4	RHW4025-0000	SCREW HFH .38-16x1.00 GR8 PLD SERRATED	
18	12	RHW7201-0000	NUT HEX .38-16 GR5 PLD	
19	4	RHW7401-0000	NUT HEX .50-13 GR5 PLD	
20	2	RHW8061-0000	LYNCH PIN .31x1.56 (1.25 USEABLE)	
21	2	RHW8602-0000	MACH BSHG 14GA. 1.25 ID- 1.88 OD	

76 Inch Preparator



Item	Qty	Part No.	Name	Additional Info
1	2	03-4618	FTG 10FB-12MB	
2	4	07-1763	WASHER FL .50 GR8 SAE PLD HARD	
3	1	105840	WASHER FENDER .34x1.50x10GA PLD	
4	1	LAF3514-0000	TUBE RD 2x1.515x1.06 MOTOR SHAFT	
5	1	LAF3530-0000	MOTOR MOUNT WELD F/PREPARATOR	
6	1	LAF3546-0000	DRUM DRV SPROCKT-UPPER 12T	
7	2	LAF4278-0000	ELBOW 90 10MB-10MJ	
8	2	LAF4321-0000	HOSE .50x104 10MB-10FJ 4K HS	
9	1	LAF4772-0000	MOTOR 24.7 CID 1.50 17T 4BOLT MAGNETO	
10	1	LAF9965-0000	SPROCKET RETAINER	
11	1	P272670	QD 8 FF F 12FB ISO 16028	
12	1	P272671	QD 8 FF M 12FB ISO 16028	
13	1	P851105	WASHER LOCK SPLIT MED .31 PLD ST	
14	8	P851108	WASHER LOCK SPLIT MED .50 PLD ST	
15	1	P851110	WASHER LOCK SPLIT MED .63 PLD ST	
16	1	RHW1101-0000	SCREW HHC .31-18x.50 GR5	
17	1	RHW1112-0000	SCREW HHC .31-18x2.50 GR5 PLD	
18	4	RHW1406-0000	SCREW HHC .50-13x1.75 GR5 PLD NYLOCK	
19	4	RHW2404-0000	BOLT CRG .50-13x1.25 GR5 PLD	
20	8	RHW7403-0000	NUT HEX CTR DNT LOCK .50-13 GR A PLD	
21	1	RHW8113-0000	SCREW HHC .63-18x1.25 GR5 PLD	
22	1	RHW8613	WELD PLATE F/.88 OD	
23	1	RHW8614	COVER PLATE F/.88 OD	
24	1	RHW8616	HOSE CRADLE F/.88 OD HOSE	
25	1	RHW8618	HOSE SPRING STAY	

Replacement Decals Preparator



Item	Qty	Part No.	Name	Additional Info
1	1	40590	DECAL CAUTION HI-FLOW SYSTEMS	
2	1	50-0724	LABEL WARN HIGH PRESS* FLUID HAZ VERT 3x	
3	2	50-0737	LABEL WARN PINCH POINT HAZARD 4.5x2.0	
4	1	50-10016	LABEL WARNING MISUSE HAZARD VERT FFC	
5	2	RDL3100-0000	WARNING - FLYING OBJECTS	
6	1	RDL3101-0000	WARNING ROLLOVER	
7	2	RDL3102-0000	WARNING SHIELD	
8	2	50-0769	LABEL LIFT POINT ISO SYMBOL	
9	2	RDL3178-0000	SAFETY - CAUTION - NOT A STEP	
10		VARIES	Contact your local dealer to purchase model number and logo decals.	

Comments for Page: Verbiage Decals Preparator

IMPORTANT: See operator's manual for placement and definition.



Comments for Chapter: Replacement Decals Preparator

IMPORTANT: See operator's manual for placement and definition.