



SNOW REMOVAL

For Skid Steers, Utility Loaders, Wheel Loaders, & Backhoe Loaders



Paladin Attachments offers a variety of snow removal attachments that efficiently clean and clear large volumes of snow season after season.

From residential to commercial snow removal needs, Paladin is a one-stop shop for all the snow attachment essentials.



Covering all prime movers including compact tool carriers, skid steer loaders, compact tractors, utility tractors, backhoe loaders, and wheel loaders, Paladin offers an extensive portfolio of high-quality snow blowers, pushes, blades, buckets and sweepers.



SNOW REMOVAL

Snow Blades

The **114 Series Snow Blade** is available in either hydraulic or manual angle. For Skid Steers, Compact Tool Carriers, and Compact Utility Loaders.

- Hydraulically angles 30° in either direction
- Reversible and replaceable wear edge
- Adjustable skid-shoes
- Spring-loaded trip mechanism
- 23" 7-gauge steel blade
- Heavy structural steel frame
- Standard hydraulic angle
- Optional manual angle
- Optional rubber wear edge



The **5700 Series** angles 30° in either direction hydraulically. Blade is made from reinforced ten gauge steel. For SSL, Compact Utility Loaders, and Backhoe Loaders.

- Reversible and replaceable wear edge
- Adjustable skid shoes
- Spring-loaded trip mechanism
- Heavy structural steel frame
- Standard hydraulic angle
- Optional rubber wear edge



Specifications 114 Series

Model	Weight (approx)	Width OD	Height OD	Cutting Width @ Max Angle
11448	460 lbs	48"	23"	41.5"
11460	510 lbs	60"	23"	52"
11472	595 lbs	72"	23"	62"
11484	635 lbs	84"	23"	73"
11496	650 lbs	96"	23"	83"

Carrier Specifications: lift capacities <5,000 lbs operating weight <8,000 lbs

Specifications 5700 Series

Model	Weight (approx)	Width	Height	Cutting Width @ 30° Angle
LAF5784	875 lbs	84"	32"	73"
LAF5796	930 lbs	96"	32"	83"
LAF5708	890 lbs	108"	32"	93"
LAF5720	1065 lbs	120"	32"	104"
LAF5732	1125 lbs	132"	32"	114"
LAF5744	1185 lbs	144"	32"	125"

Carrier Specifications: lift capacities <9,000 lbs operating weight <11,000 lbs

Snow Blades



The **115 Series** angles 35° in either direction hydraulically. Equipped with a 7-gauge steel blade. Optional flap reduces snow spillage. For Large SSL, Compact Utility Loaders, Small Wheel Loaders and Backhoe Loaders.

- Replaceable wear edge (optional rubber edge)
- Adjustable skid shoes
- Spring-loaded trip mechanism

The **136 Series** has a cutting edge trip system that allows operator to glide over manholes and curb obstructions without losing gathered material. For skid-steers.

- Angles 30° in either direction hydraulically
- Reversible high carbon steel bolt-on edge
- 5° floating tilt allows for cleaner snow removal

Specifications 115 Series					
Model	Weight (approx)	Width	Height	Cutting Width @ 35° Angle	
11584	1125 lbs	84"	32"	69"	
11596	1180 lbs	96"	32"	79"	
11508	1235 lbs	108"	32"	88"	
11520	1315 lbs	120"	32"	98"	
11532	1375 lbs	132"	32"	108"	
11544	1435 lbs	144"	32"	118"	

Carrier Specifications: lift capacities <10,000 lbs operating weight <20,000 lbs

Specifications 136 Series					
Model	Weight (approx)	Width	Height	Depth	Cutting Width @ 30° Angle
13684	940 lbs	84"	33"	42"	73"
13696	990 lbs	96"	33"	42"	83"
13608	1030 lbs	108"	33"	42"	93.5"

Carrier Specifications: lift capacities <9,000 lbs operating weight <11,000 lbs



Adjustable skid-shoes

IMPORTANT: All replacement hydraulic hoses and fittings must have a minimum rated working pressure of 4000 psi. Hoses and hydraulic couplers from the attachment to the loader are included for skid-steer only.

SNOW REMOVAL

Snow Buckets



Snow Buckets move large volumes of snow or other loose materials efficiently. Equipped with a cut out back plate for better visibility. Quickly attaches to all skid-steer, backhoe, utility loader and small wheel loader brands. Optional Bolt on edge available. For SSL, Compact Utility Loaders, Compact Wheel Loaders, and Backhoe Loaders

Specifications

Model	Weight Approx	Width	Height A	Depth B	Leading Edge C	Capacity Struck	Capacity Heaped
11184 ¹	733 lbs	84"	29.9"	42.0"	29.7"	1.14 yd ³	1.47 yd ³
11196 ¹	795 lbs	96"	29.9"	42.0"	29.7"	1.31 yd ³	1.70 yd ³
11197 ¹	999 lbs	96"	37.6"	46.2"	32.5"	1.83 yd ³	2.36 yd ³
11101 ²	820 lbs	101.5"	29.9"	42.0"	29.7"	1.40 yd ³	1.82 yd ³
11102 ²	1020 lbs	101.5"	37.6"	46.2"	32.5"	1.95 yd ³	2.52 yd ³
11108 ²	1078 lbs	108"	37.6"	46.2"	32.5"	2.07 yd ³	2.67 yd ³

¹Med. Duty Bucket

Carrier Specifications: lift capacities <5,000 lbs operating weight <8,000 lbs

²Heavy Duty Bucket

Carrier Specifications: lift capacities <9,500 lbs operating weight <11,000 lbs



Snow Blowers

FFC Snow Blowers, by Paladin feature a two-stage hydraulic blower that throws snow up to 45 ft. Blower is electrically controlled, and has hydraulically operated poly-lined chute and deflector. Equipped with reinforced wrapper and adjustable skid shoes. Case drains are not required for high-flow models. Has replaceable wear resistant steel tapered wear edge and high-volume 25" or 36" shroud opening. For Skid Steer Loaders and Compact Tool Carriers.



There is an optional Truck Chute Kit for snow blower models 11072G, 11072H, 11078G, 11078H, 11084G, 11084H, 11096G, and 11096H.

When ordering, verify hydraulic flow and pressure of skid-steer. Failure to supply proper flow and pressure could result in motor failure or poor performance.



Specifications											
Model #	Weight (Approx)	Cutting Width	Cutting Height	Depth	Height	Auger Motors	Auger Dia.	Fan Dia.	PSI Range	GPM Range	Hose ID
Standard-Flow Models											
11048A	745 lbs	48"	25"	38"	57"	Single	14"	18"	2000-3000	8-14	.50"
11060C	795 lbs	60"	25"	38"	57"	Single	14"	18"	2000-3000	12-17	.50"
11060D	795 lbs	60"	25"	38"	57"	Single	14"	18"	2000-3000	14-21	.50"
11060E	795 lbs	60"	25"	38"	57"	Single	14"	18"	2000-3000	18-27	.50"
11072D	845 lbs	72"	25"	38"	57"	Single	14"	18"	2000-3000	14-21	.50"
11072E	845 lbs	72"	25"	38"	57"	Single	14"	18"	2000-3000	18-27	.50"
11078D	878 lbs	78"	25"	38"	57"	Single	14"	18"	2000-3000	14-21	.50"
11078E	878 lbs	78"	25"	38"	57"	Single	14"	18"	2000-3000	18-27	.50"
11084D	895 lbs	84"	25"	38"	57"	Single	14"	18"	2000-3000	14-21	.50"
11084E	895 lbs	84"	25"	38"	57"	Single	14"	18"	2000-3000	18-27	.50"
High-Flow Models											
11072F	1150 lbs	72"	36"	43"	74"	Single	18"	26"	2500-3500	22-34	.75"
11072G	1160 lbs	72"	36"	43"	74"	Dual	18"	26"	2500-3500	19-34	.75"
11072H	1160 lbs	72"	36"	43"	74"	Dual	18"	26"	2500-3500	30-42	.75"
11078F	1200 lbs	78"	36"	43"	74"	Single	18"	26"	2500-3500	22-34	.75"
11078G	1200 lbs	78"	36"	43"	74"	Dual	18"	26"	2500-3500	19-34	.75"
11078H	1200 lbs	78"	36"	43"	74"	Dual	18"	26"	2500-3500	30-42	.75"
11084F	1190 lbs	84"	36"	43"	74"	Single	18"	26"	2500-3500	22-34	.75"
11084G	1240 lbs	84"	36"	43"	74"	Dual	18"	26"	2500-3500	19-34	.75"
11084H	1240 lbs	84"	36"	43"	74"	Dual	18"	26"	2500-3500	30-42	.75"
11096G	1320 lbs	96"	36"	43"	74"	Dual	18"	26"	2500-3500	19-34	.75"
11096H	1320 lbs	96"	36"	43"	74"	Dual	18"	26"	2500-3500	30-42	.75"

Carrier Specifications: lift capacities <9,500 lbs operating weight <11,000 lbs

Subject to change without notice.

SNOW REMOVAL

Snow Pushes

The FFC **Snow Push**, by Paladin is engineered of heavy-duty, fully welded steel with 3/8" thick end plates to capture and remove even the heaviest snow without leaving windrows or spillover. For SSL, Compact Utility Loaders, Small Wheel Loaders and Backhoe Loaders.

- Moves large volumes of snow efficiently.
- Rubber edge standard on all models.
- Ideal for waste water, manure, feed lot and food cleanup.
- Optional Pull Back Kit draws back snow from buildings, fences and confined areas.



228 Series (4 ft x 4 ft) Snow Push Specifications

Model	Path Width	Working Height	Depth	Overall Width	Weight (approx)
22812	142.5"	48.8"	71.8"	149.7"	2485
22814	166.5"	48.8"	71.8"	173.7"	2660
22816	190.5"	48.8"	71.8"	197.7"	2835
22820	238.5"	48.8"	71.8"	245.7"	3185

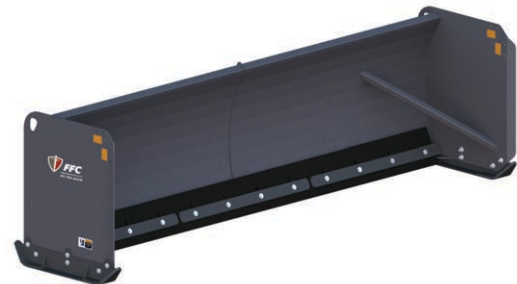
Carrier Specifications: Lift Capacity: <9,500 lbs; Operating Weight <30,000 lbs



232 Series (Low Profile) Snow Push Specifications

Model	Path Width	Working Height	Depth	Overall Width	Weight (approx)
23272-0022	71.5"	23.7"	38.1"	77.3"	525 lbs
23284-0022	83.5"	23.7"	38.1"	89.3"	570 lbs
23296-0022	95.5"	23.7"	38.1"	101.3"	610 lbs
23220-0022	119.5"	23.7"	38.1"	125.3"	705 lbs

Carrier Specifications: Lift Capacity: <9,500 lbs; Operating Weight <11,500 lbs



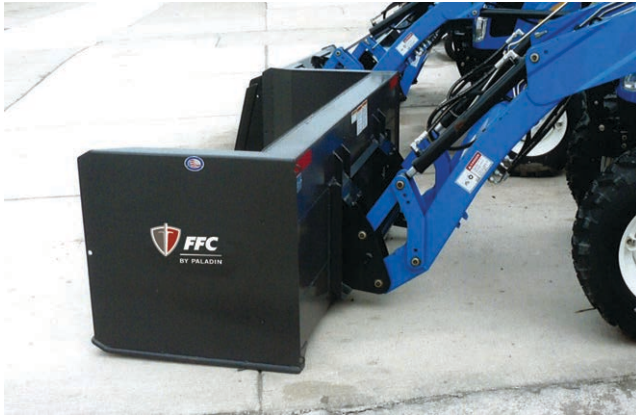
233 Series (3ft x 3ft) Snow Push Specifications

Model	Path Width	Working Height	Depth	Overall Width	Weight (approx)
23396	95.5"	41.3"	41.5"	101.5"	1100 lbs
23320	119.5"	41.3"	41.5"	125.5"	1230 lbs
23344	143.5"	41.3"	41.5"	149.5"	1375 lbs
23368	167.5"	41.3"	41.5"	173.5"	1505 lbs

Carrier Specifications: Lift Capacity: <11,000 lbs; Operating Weight <20,000 lbs

Subject to change without notice.

Compact Tractor Snow Pushes



FFC also features **Compact Tractor Snow Pushes** designed to mount on tractor front-end loaders with universal skid steer style mountings. Lift capacity of the loader should be less than 2,000 lbs. These snow pushes have side wearing skids and a rubber cutting edge.

Compact Tractor Snow Push Specifications

Model	Path Width	Working Height	Depth	Overall Width	Weight (approx)
10707-60-0822	61.8"	30.8"	34"	62.3"	415 lbs
10707-72-0822	73.8"	30.8"	34"	74.3"	450 lbs
10707-84-0822	85.8"	30.8"	34"	86.3"	484 lbs
10707-96-0822	97.8"	30.8"	34"	98.3"	518 lbs

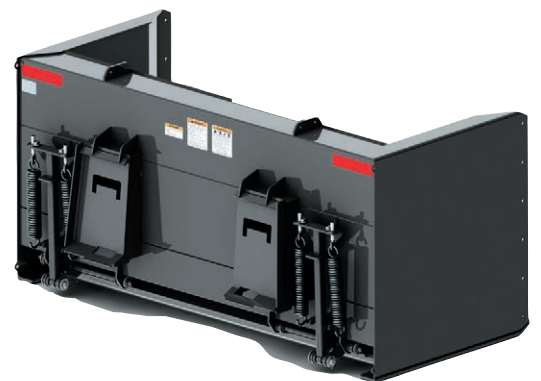
Carrier Specifications: Lift Capacity: <2,000 lbs; Operating Weight <4,000 lbs



Compact Tractor Trip Edge Models Snow Push Specifications

Model	Path Width	Working Height	Depth	Overall Width	Weight (approx)
10709-78-0822	72.9"	39.8"	44.1"	80.4"	850 lbs
10709-96-0822	90.9"	39.8"	44.1"	98.4"	930 lbs
10709-08-0822	102.9"	39.8"	44.1"	110.4"	990 lbs
10709-20-0822	112.4"	39.8"	44.1"	119.9"	1030 lbs

Carrier Specifications: Lift Capacity: <4,000 lbs; Operating Weight <8,000 lbs



SNOW REMOVAL

V-Blade Snow Plows

120 Series

A multi-function blade for removal of snow from walks, driveways, or parking lots. Five position adjustable blade adds versatility for your snow removal needs and allows you to get the job done fast!

- Available in seven blade widths 48", 60", 72", 84", 96", 108", 120"
- Available with hydraulic sequencing valve or electro-hydraulic valve for independent blade function
- Adjustable blade allows for the following positions:
 - Straight
 - V
 - Scoop
 - Angles up to 30° in both directions
- Reversible cutting edge designed with spring loaded trip mechanism
- Blade floats 5° and tilts 5° for ground contour
- Adjustable skid shoes
- Optional polyurethane cutting edge
- 32.5" blade height
- Universal skid-steer loader quick attach mounting



Specifications

Model	Weight (Approx)	Height	Width (Straight)	Cutting Width at Full "V"	Cutting Width at Full "Scoop"	Cutting Width at Max Angle (30°)
12050	830 lbs	32.5"	48"	45.5"	37.5"	41.5"
12060	865 lbs	32.5"	60"	56"	48"	52"
12072	920 lbs	32.5"	72"	66.5"	58.5"	62.5"
12084	975 lbs	32.5"	84"	77"	69"	73"
12096	1020 lbs	32.5"	96"	87.5"	79.5"	83.5"
12008	1060 lbs	32.5"	108"	98"	90"	94"
12020	1110 lbs	32.5"	120"	108"	100.5"	104"

Subject to change without notice.