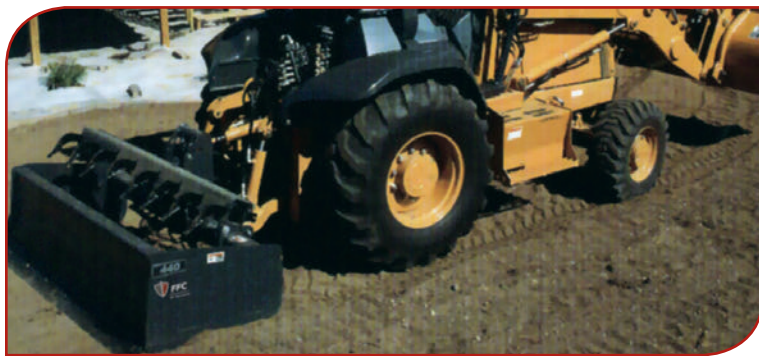


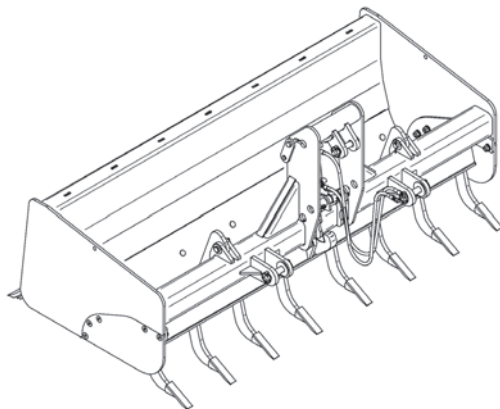
BOX SCRAPER

For Compact Utility Tractors and Small Wheel Loaders



FFC Box Scraper, by Paladin, is perfect for fine grading and heavy-duty landscaping jobs, it can backfill, grade, excavate, rip and scarify. The hydraulically actuated scarifiers increases ripping penetration.

- High-profile moldboard provides increased carrying capacity with minimal drag and greater boiling action
- Designed for Category II 3-point mount
- Double wall moldboard with heavy-duty side plates prevents frame twisting
- Fits two or four wheel drive machines
- Choice of standard or heavy-duty bolt-on reversible edges
- Available with replaceable end plates



Specifications	13884 Model 240SD	13888 Model 440HD
Cutting Width	84"	88"
Height	39.625"	39.625"
Depth	45.5"	45.5"
Capacity	1.38 yd ³	1.44 yd ³
Weight (app)	1,565 lbs	1,676 lbs
Lift Capacity	<10,000 lbs	<20,000
Operating Weight	<20,000 lbs	<32,000



The Power of Combined Excellence®
BRADCO CP CUSTOMWORKS FFC HARLEY J:B McMILLEN SWEEPSTER

|| PH: 800.456.7100 || www.paladinattachments.com || Connect with Paladin:



FFC - Box Scraper 1014-01 © 2014 Paladin Powerful Attachment Tools