



The multi-position mini-mount is designed with the hardworking operator in mind. Ideally suited for tight access job sites requiring long pile sections, the Dinamic Oil mini-mount improves productivity with up to 10 feet of ground clearance and the unique gimbal mount lets the drive head install pile sections at any angle.

The innovative mounting system boasts industry-leading ground clearance in a compact frame for easy transportation and improved maneuverability on tight job sites.

Available for universal mini-skid loader quick attach and Bobcat® Bob-Tach® systems.



Fully boxed steel boom section is robust yet lightweight.

The rotating cast Yoke section allows for ample side to side articulation.

The cast crown section fully surrounds the gearbox to provide a strong gimbal mounting platform.

Drive models range from 3,000 to 8,000 ft-lbs of True Torque.

BIG PERFORMANCE. SMALL FOOTPRINT.

Leveraging the multi-position feature of the mini-mount can quickly reduce setup/tear-down time and decrease transportation costs. The entire Drive and Mount fit easily in the bed of a full-size truck.

Pull one pin and mount transforms from transport to operational position. Simple, Fast, Effective!

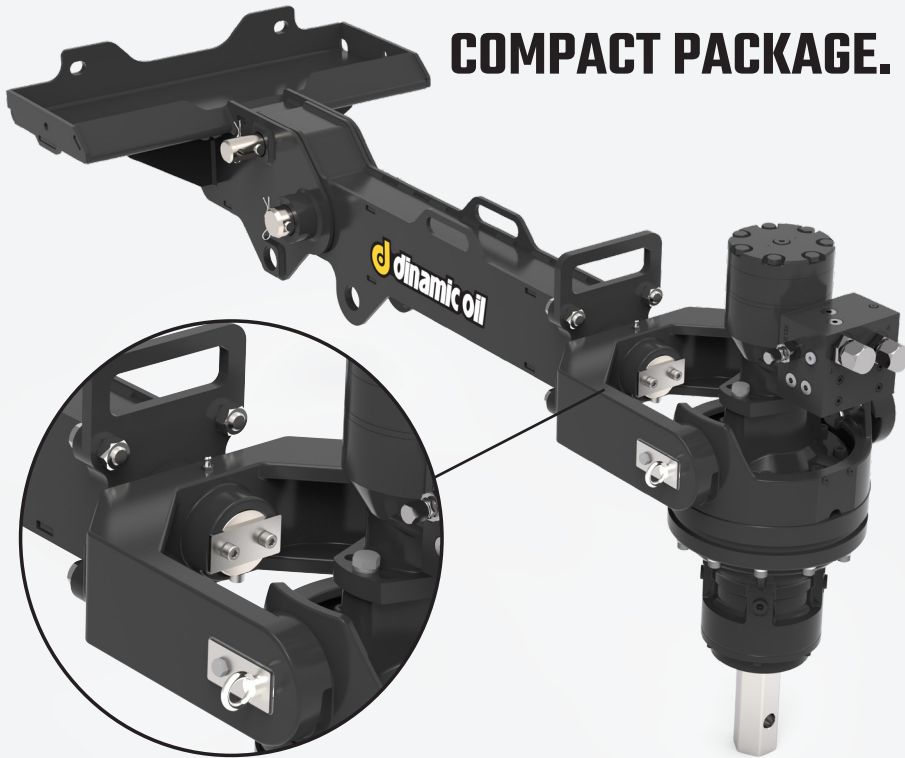
THE TORQUE YOU WANT. THE SIZE THE JOB DEMANDS.

Choose from five different Anchor Drive models and pair them with the mini-mount for the ultimate helical pile installation attachment.

Model	Torque	Speed	Pressure	Flow	Output Shaft
SA3	3,297 (4,471)	28	2,500 (172)	15 (56)	2" Hex
SA5	5,104 (6,919)	30	2,500 (172)	25 (94)	2" Hex
SA6	6,253 (8,477)	25	2,500 (172)	25 (94)	2" Hex
SA7	7,381 (10,007)	21	2,500 (172)	25 (94)	2" Hex
SA8	8,119 (11,007)	20	2,750 (189)	25 (94)	2-1/2" Hex

Imperial values: Ft-Lbs, PSI, GPM. Metric values: Nm, Bar, LPM shown in parenthesis (*)

COMPACT PACKAGE. FULL-SIZE PROFITABILITY



Limited access job site? No problem. The compact and innovative multi-position mini-mount is designed specifically to maximize the pin height of mini skid steers (compact utility loaders).

Up to 10 feet of ground clearance increases productivity and, most importantly, profitability.

Longer mount = longer pile installation!



Designed for universal mini-skid loader quick attach and Bobcat® Bob-Tach® systems.

Designed with tight access job sites in mind, the Dinamic Oil mini skid steer mounting system will fit into small spaces and are lightweight.

With various Drive attachments available and universal mounting plates for quick hookup, this Anchor Drive system is ready to tackle any job.

Learn more at www.dinamicoil.us

