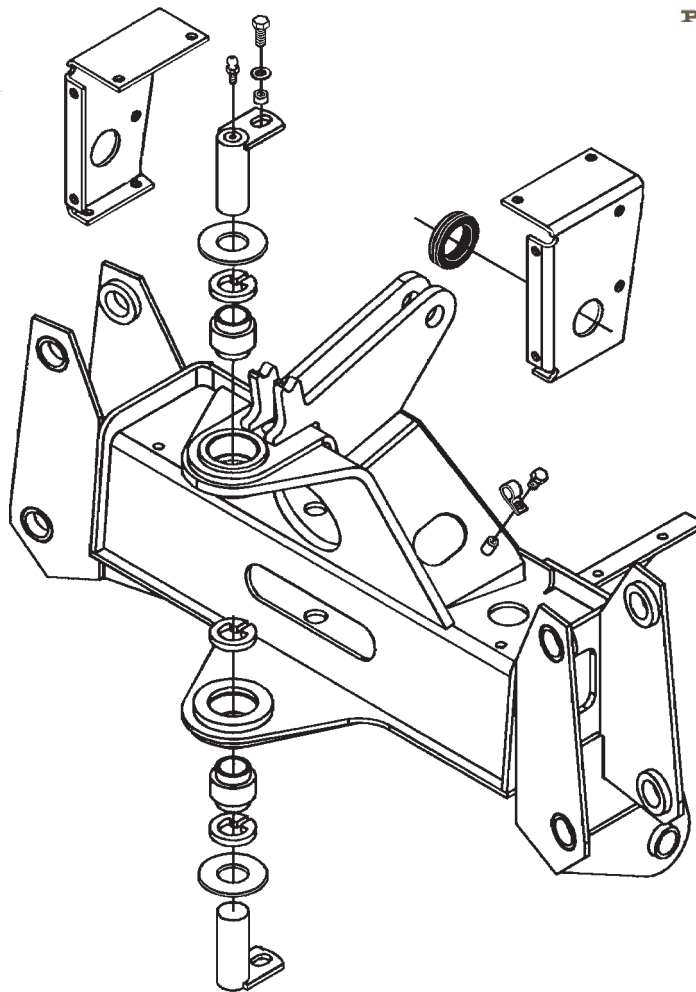




3375 BACKHOE 3-POINT HITCH / CATEGORY I PARTS MANUAL



PALADIN LIGHT CONSTRUCTION



SERIAL NUMBER: _____

MODEL NUMBER: _____

Manual Number: PM581
Part Number: 75481
Rev. 5

LIMITED WARRANTY

EFFECTIVE ON PRODUCTS MANUFACTURED AFTER JANUARY 1, 2001

All new BRADCO products are warranted to be free from defects in materials or workmanship which may cause failure under normal usage and service when used for the purpose intended.

In the event of failure within twenty four (24) months from initial retail sale, lease or rental date (excluding cable, ground engaging parts such as sprockets, digging chain, bearings, teeth, tamping and demolition heads, blade cutting edges, pilot bits, auger teeth, auger heads & broom bristles), if after examination, BRADCO determines failure was due to defective material and/or workmanship, parts will be repaired or replaced. BRADCO may request defective part or parts be returned prepaid to them for inspection at their place of business at Delhi, Iowa, or to a location specified by BRADCO.

Any claims under this warranty must be made within fifteen (15) days after the Buyer learns of the facts upon which such claim is based. All claims not made in writing and received by BRADCO within the time period specified above shall be deemed waived.

THIS WARRANTY IS IN LIEU OF ALL OTHER WARRANTIES EXPRESSED OR IMPLIED AND THERE ARE NO WARRANTIES OF MERCHANTABILITY OR OF FITNESS FOR A PARTICULAR PURPOSE. IN NO EVENT SHALL BRADCO BE LIABLE FOR CONSEQUENTIAL OR SPECIAL DAMAGE.

BRADCO'S LIABILITY FOR ANY AND ALL LOSSES AND DAMAGES TO BUYER, RESULTING FROM ANY CAUSE WHATSOEVER, INCLUDING BRADCO'S NEGLIGENCE, IRRESPECTIVE OF WHETHER SUCH DEFECTS ARE DISCOVERABLE OR LATENT, SHALL IN NO EVENT EXCEED THE PURCHASE PRICE OF THE PARTICULAR PRODUCTS WITH RESPECT TO WHICH LOSSES OR DAMAGES ARE CLAIMED, OR, AT THE ELECTION OF BRADCO, THE REPAIR OR REPLACEMENT OF DEFECTIVE OR DAMAGED PRODUCTS.

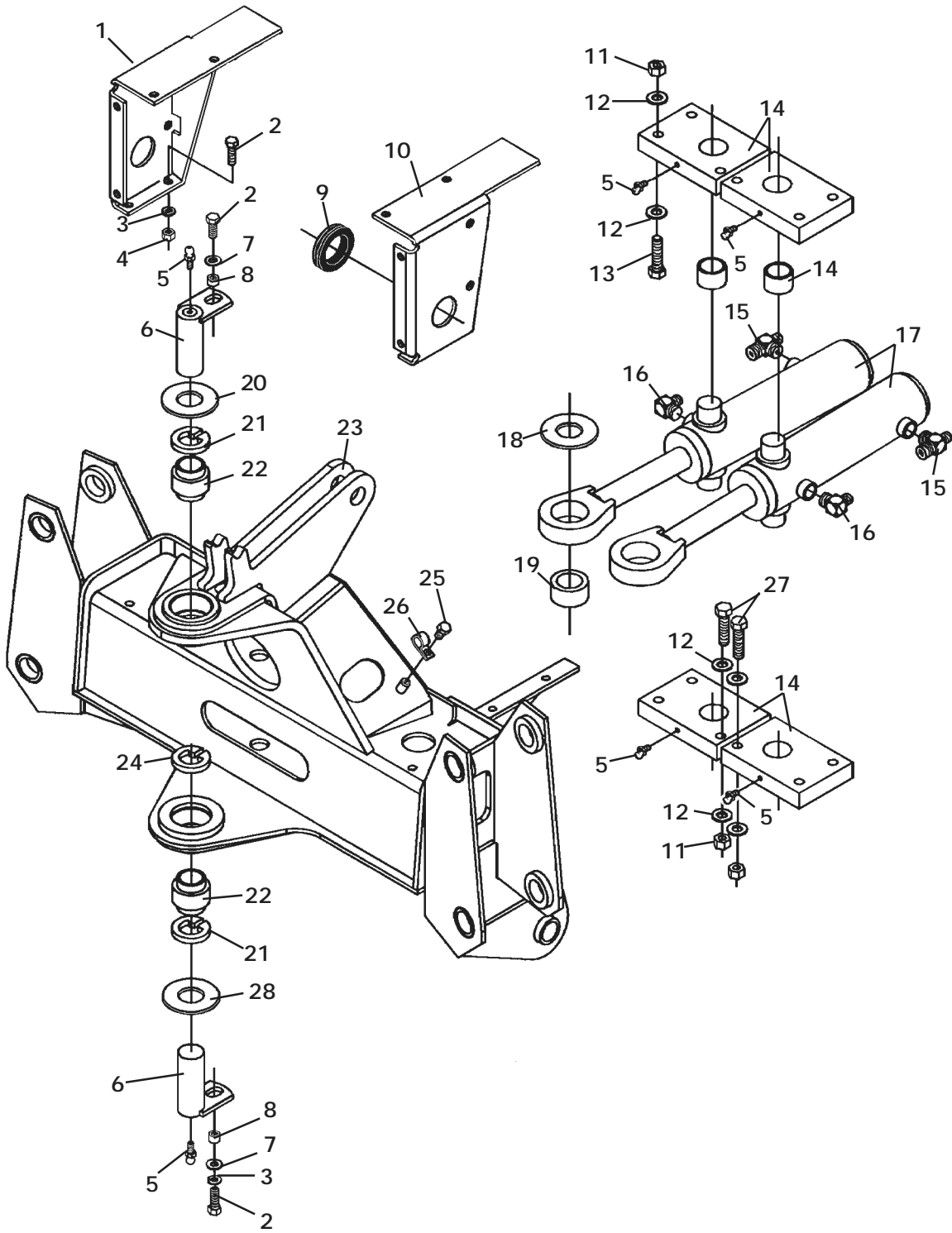
TABLE OF CONTENTS

SERVICE PARTS

MAINFRAME ASSEMBLY	#86630
Mainframe	
Swing Post	
Stabilizers	
Hose Bundle Clamp	
3-POINT HITCH ADAPTER KIT	#86638
BOOM & DIPPER ASSEMBLY	#86632
Boom	
Dipper	
CONSOLE ASSEMBLY	#86631
VALVE ASSEMBLY	#2255
VALVE ASSEMBLY	#2238
UP TO SERIAL #---15188	
SERIAL #---15188 & UP TO MONOBLOCK VALVE	
CYLINDERS	
SWING CYLINDER	#86576
STABILIZER CYLINDER	#83397
BOOM CYLINDER	#86587
DIPPER CYLINDER	#86561
BUCKET CYLINDER	#86505
HOSE SETS	
MAINFRAME HOSE SET	#86643
BOOM & DIPPER HOSE SET	#86644
STABILIZER PAD OPTIONS	
FLAT STABILIZER PAD ASSEMBLY	#81861
GROUSER STABILIZER PAD ASSEMBLY	#81860
RUBBER STABILIZER PAD ASSEMBLY	#81862
FLIP OVER STABILIZER PAD ASSEMBLY	#83058
OPTIONAL STABILIZER CYLINDER GUARDS	#83850
OPTIONAL PTO PUMP ASSEMBLY	87893
BUCKET OPTIONS	
10" BUCKET	#81710
12" BUCKET	#81712
16" BUCKET	#81716
18" BUCKET	#81718
25" BUCKET	#81720
DECALS	#40337

MAINFRAME ASSEMBLY

ASSEMBLY #86630
MAINFRAME



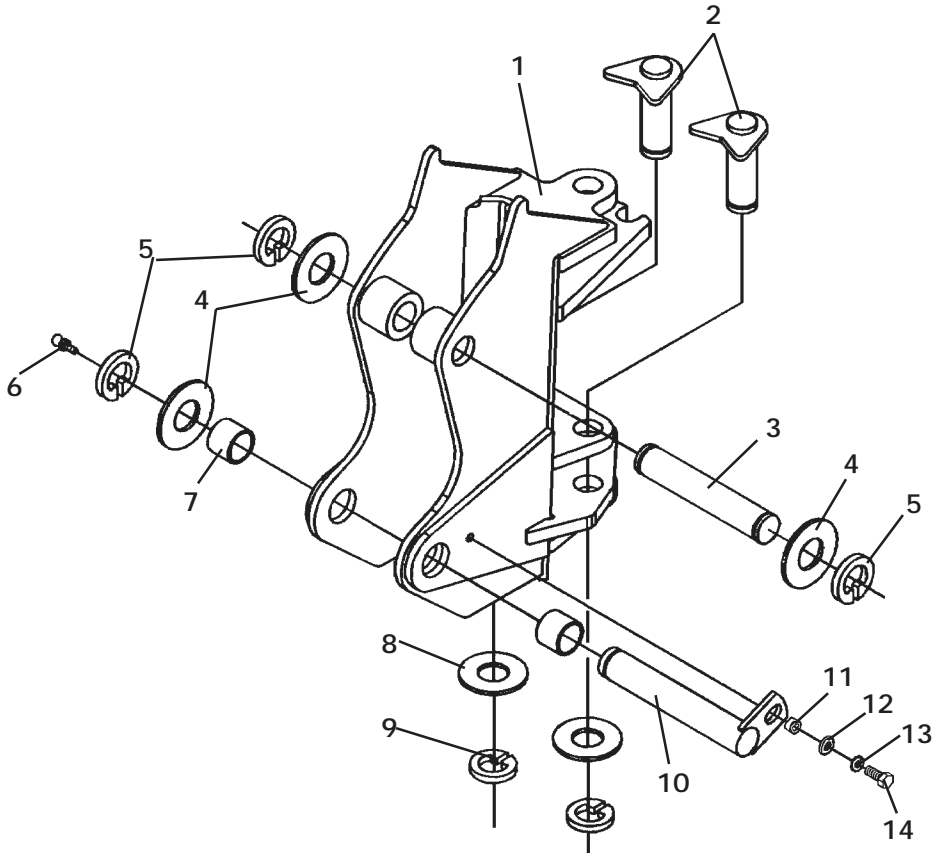
MAINFRAME ASSEMBLY

ASSEMBLY #86630
MAINFRAME

<u>NO</u>	<u>REQ'D</u>	<u>PART NO.</u>	<u>DESCRIPTION</u>
1	1	15714	Right Console Support Bracket
2	6	1043	.38" UNC X 1.00" Hex Capscrew
3	5	1503	.38" Lock Washer
4	4	1226	.38" UNC Hex Nut
5	6	6616	Grease Zerk
6	2	81592	Pivot Pin
7	2	1514	.38" Flat Washer
8	2	81807	Spacer Tube
9	2	62819	Grommet
10	1	15715	Left Console Support Bracket
11	12	1841	.50" UNC Hex Lock Nut
12	24	1646	.50" Hard Flat Washer
13	10	1092	.50" UNC X 2.00" Hex Capscrew
14	4	87761	Swing Cylinder Mounting Plate
	4	86564	Bushing (Included in Mounting Plate)
15	2	30137	Tee
16	2	3434	90° Elbow 6MBo - 6MJ
17	2	86576	Swing Cylinder Assembly
18	Varies	57693	Thrust Washer 1.25" X .078"
	Varies	64727	Thrust Washer 1.25" X .145"
	Varies	64728	Thrust Washer 1.25" X .031"
19	2	81585	Spacer
20	1	83977	Thrust Washer 1.38" X .125" Hardened
21	2	1929	Snap Ring
22	2	6615	Bearing
23	1	86361	Mainframe
24	1	1650	Snap Ring
25	2	1041	.38" UNC X .50" Hex Capscrew
26	2	54900	Hose Clamp
27	2	1094	.50" UNC X 2.50" Hex Capscrew
28	Varies	83975	Thrust Washer 1.38" X .031" Hardened
	Varies	83976	Thrust Washer 1.38" X .090" Hardened
	Varies	83977	Thrust Washer 1.38" X .125" Hardened

MAINFRAME ASSEMBLY

ASSEMBLY #86630
SWING POST



MAINFRAME ASSEMBLY

ASSEMBLY #86630
SWING POST

<u>NO</u>	<u>REQ'D</u>	<u>PART NO.</u>	<u>DESCRIPTION</u>
1	1	86633	Swing Post (Includes 2 - #82443 Bushings Installed with Locktite Grade 680)
2	2	87918	Pin
3	1	86242 (1)	Pin
4	Varies	83975	Thrust Washer 1.38" X .031" Hardened
	Varies	83976	Thrust Washer 1.38" X .090" Hardened
	Varies	83977	Thrust Washer 1.38" X .125" Hardened
5	3	1650	Snap Ring
6	1	6616	Grease Zerk
7	-	82443	Bushing (Included in Swing Post) (Installed with Locktite Grade 680)
8	Varies	64728	Thrust Washer 1.25" X .031"
9	2	1652	Snap Ring
10	1	86603	Pin
11	1	81807	Spacer Tube
12	1	1514	.38" Flat Washer
13	1	1503	.38" Lock Washer
14	1	1043	.38" UNC X 1.00" Hex Capscrew

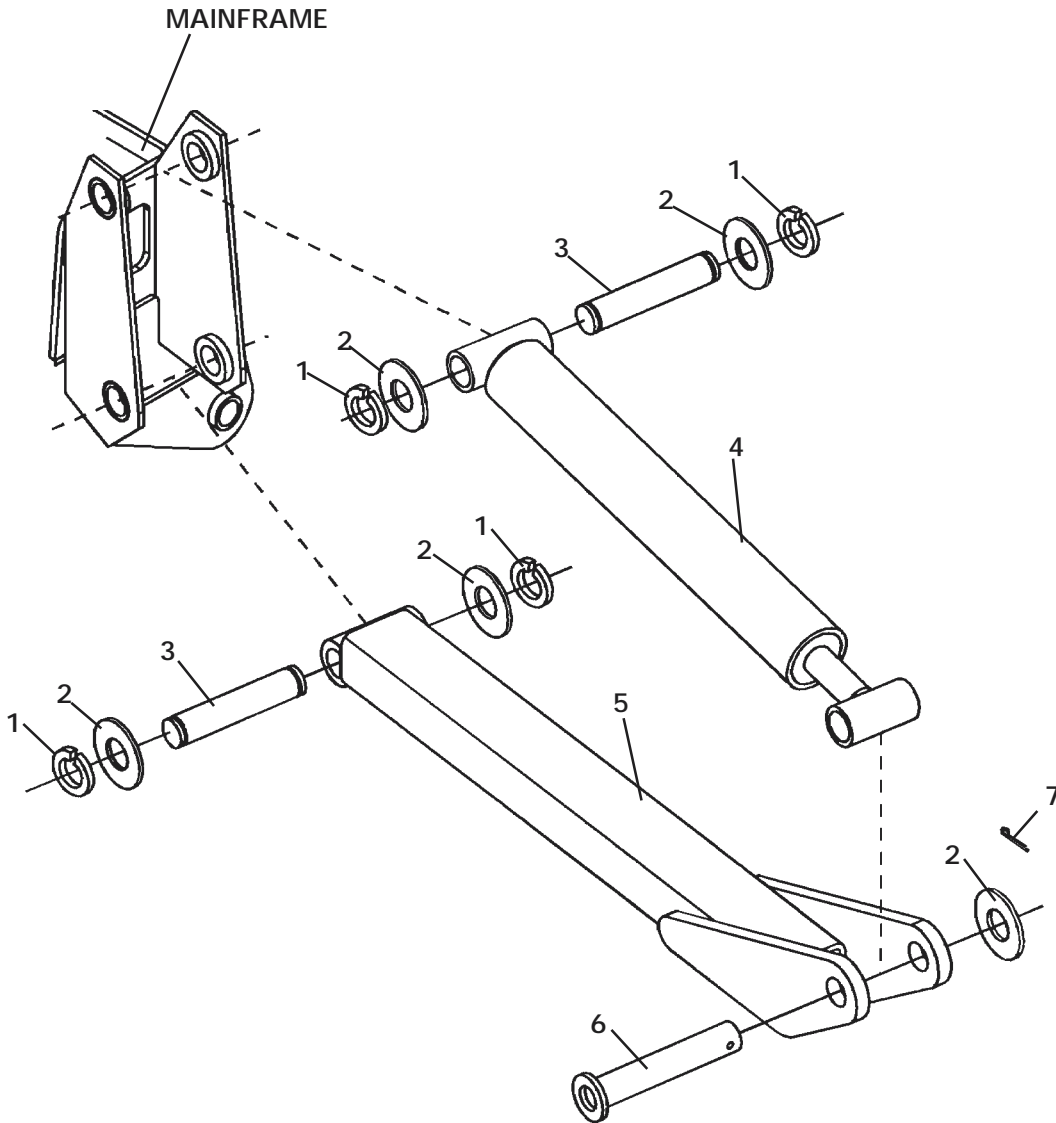
NOTE:

(1) Pivot Pin #86242 is sold only in Pin Kit #88012. Kit includes one pin #86242, two thrust washers #6623 and two snap rings #1650.

7837
8-27-99

MAINFRAME ASSEMBLY

ASSEMBLY #86630
STABILIZERS



MAINFRAME ASSEMBLY

ASSEMBLY #86630
STABILIZERS

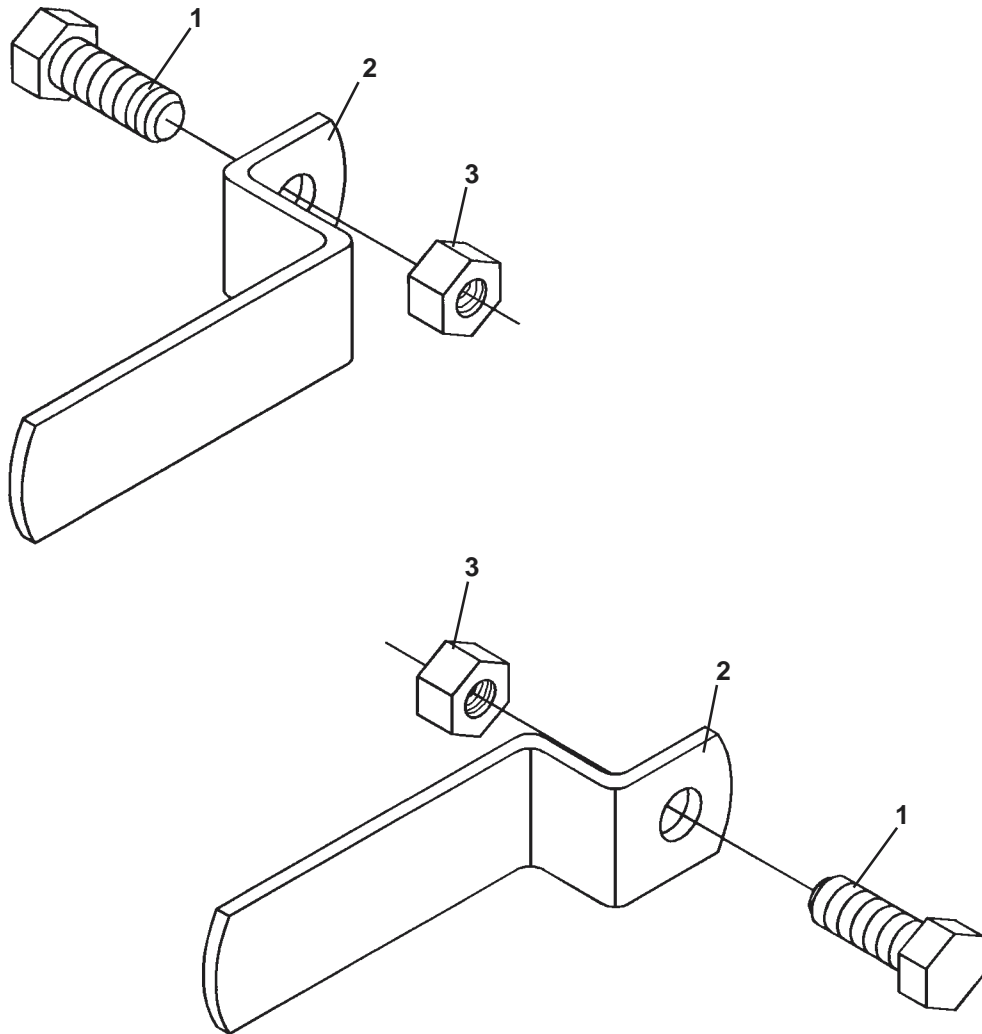
<u>NO</u>	<u>REQ'D</u>	<u>PART NO.</u>	<u>DESCRIPTION</u>
1	8	1652	Snap Ring
2	Varies	57693	Thrust Washer 1.25" X .078"
	Varies	64727	Thrust Washer 1.25" X .145"
	Varies	64728	Thrust Washer 1.25" X .031"
3	4	81846 (1)	Pin
4	2	83397	Stabilizer Cylinder Assembly
	2	6616	Grease Zerk
5	2	83393	Stabilizer Arm
6	2	83257	Pin
7	2	1613	Cotter Pin .25" X 2.00"

NOTE:

(1) Pivot Pin #81646 is sold only in Pin Kit #86314. Kit includes one pin #81646, two thrust washers #64727 and two snap rings #1652.

7839
8-27-99

HOSE BUNDLE CLAMPS



HOSE BUNDLE CLAMPS

UP TO SERIAL #---10065

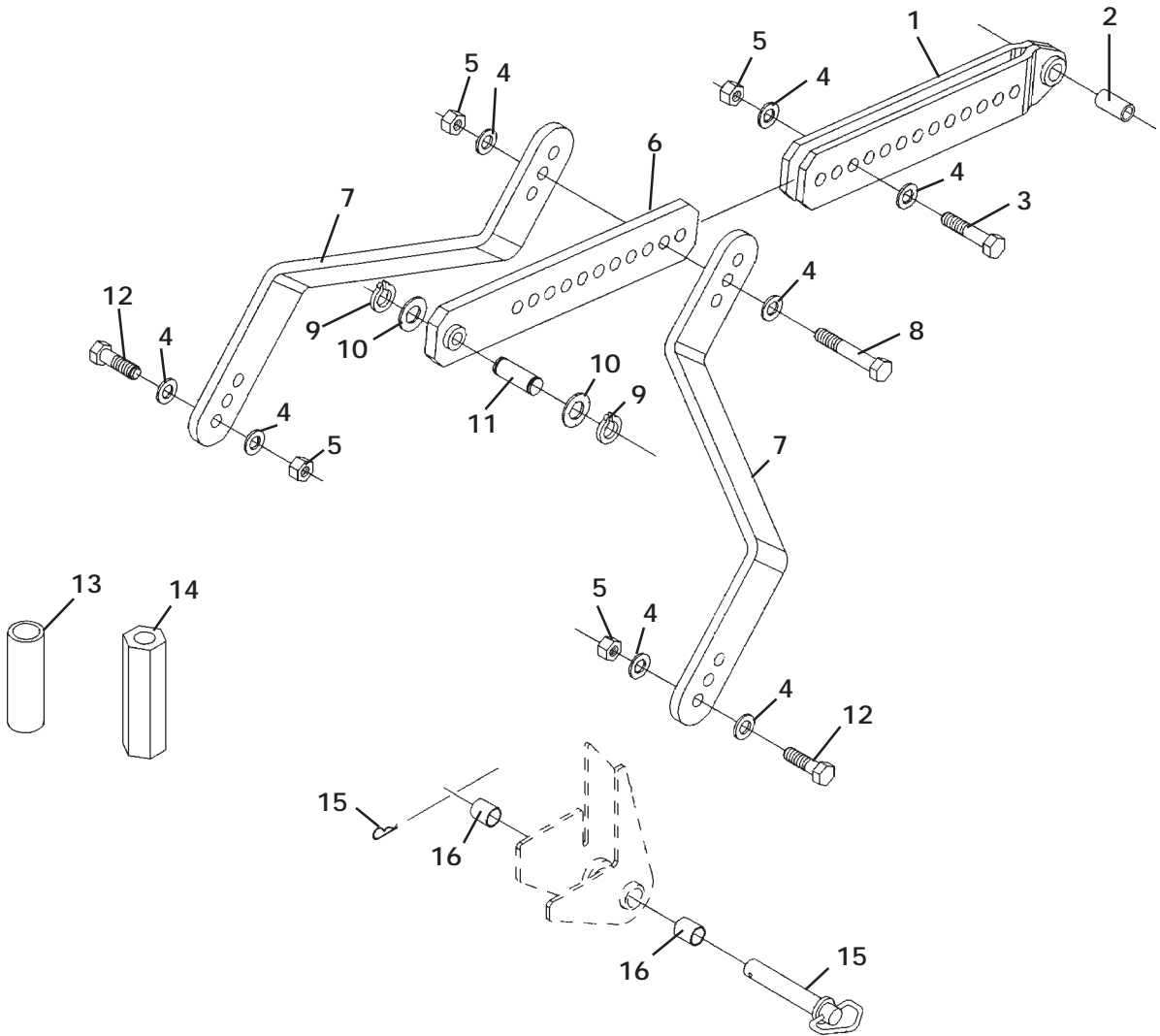
<u>NO</u>	<u>REQ'D</u>	<u>PART NO.</u>	<u>DESCRIPTION</u>
1	2	1043	.38" UNC X 1.00" Hex Capscrew
2	1	84724	Right Hose Bundle Clamp
3	2	1837	.38" UNC Deformed Lock Nut
4	1	84718	Left Hose Bundle Clamp

SERIAL #---10065 AND UP

<u>NO</u>	<u>REQ'D</u>	<u>PART NO.</u>	<u>DESCRIPTION</u>
1	2	1043	.38" UNC X 1.00" Hex Capscrew
2	1	84718	Right Hose Bundle Clamp
3	2	1837	.38" UNC Deformed Lock Nut
4	1	84718	Left Hose Bundle Clamp

3-POINT HITCH ADAPTER KIT

ASSEMBLY #86638



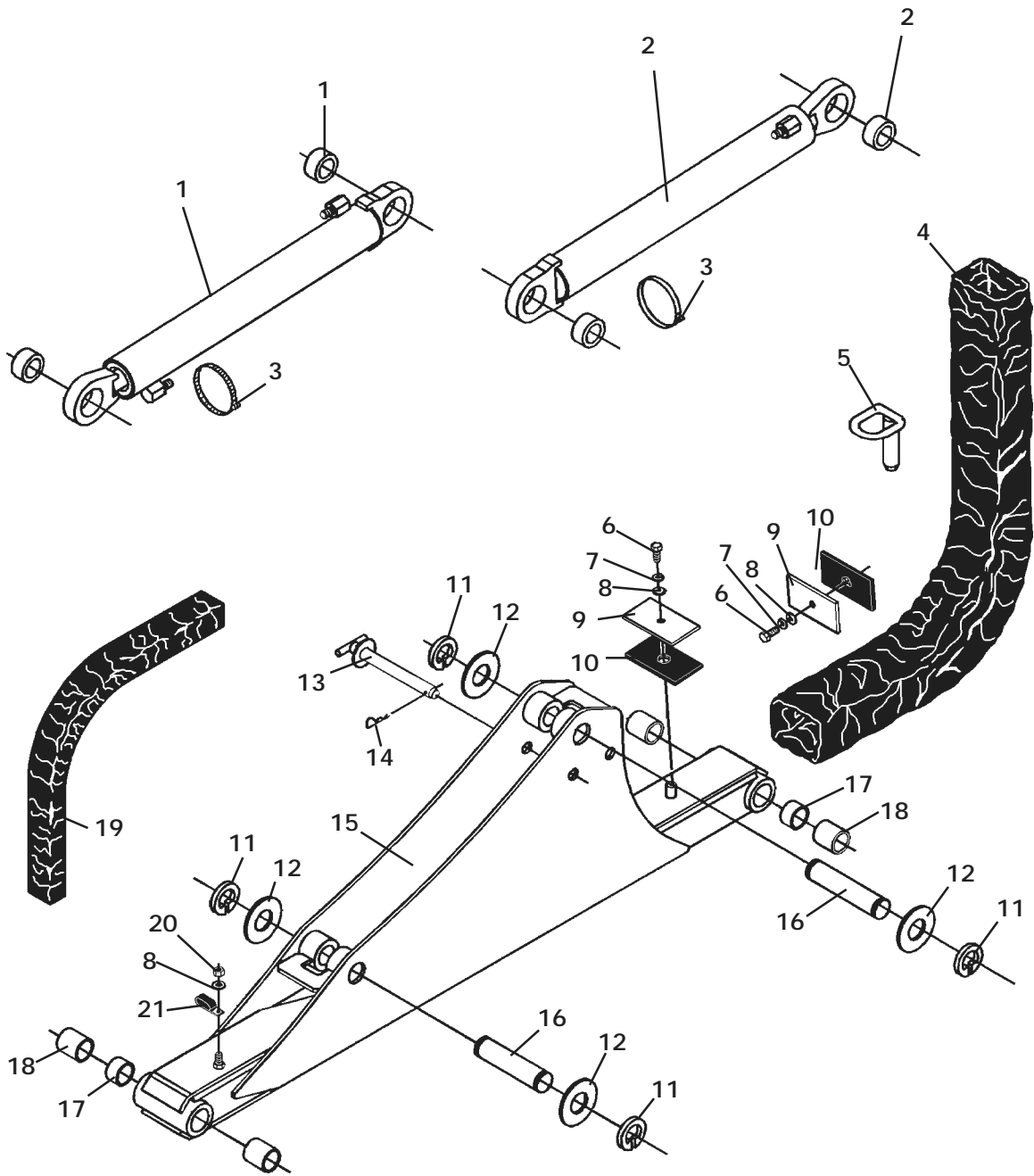
3-POINT HITCH ADAPTER KIT

ASSEMBLY #86638

<u>NO</u>	<u>REQ'D</u>	<u>PART NO.</u>	<u>DESCRIPTION</u>
1	1	86611	Center Double Link
2	1	86619	Spacer Tube
3	1	1144	.75" UNC X 2.50" Hex Capscrew
4	8	1649	.75" Hard Flat Washer
5	4	1534	.75" UNC Hex Locknut
6	1	86615	Center Single Link
7	2	86601	Hitch Lock Out Arm
8	1	1148	.75" UNC X 4.50" Hex Capscrew
9	2	6612	Snap Ring
10	2	57462	Thrust Washer
11	1	86620	Pin
12	2	1141	.75" UNC X 2.50" Hex Capscrew
13	1	45132	Inline Filter
14	1	45691	Check Valve
15	2	1987	Hitch Pin - Includes Retainer
16	4	86623	Adapter Bushing

BOOM & DIPPER ASSEMBLY

ASSEMBLY #86632



BOOM & DIPPER ASSEMBLY

ASSEMBLY #86632

<u>NO</u>	<u>REQ'D</u>	<u>PART NO.</u>	<u>DESCRIPTION</u>
1	1	86561	Dipper Cylinder Assembly
	2	85772	Bushing (Included in Cylinder Assembly)
	2	6616	Grease Zerk
	-	-----	Straight Adapter (#3269 8MBo-6MJ - If Required)
2	1	86587	Boom Cylinder Assembly
	2	85772	Bushing (Included in Cylinder Assembly)
	1	6616	Grease Zerk
	1	53031	90° Grease Zerk
	-	-----	Straight Adapter (#3269 8MBo-6MJ - If Required)
3	2	85770	Hose Clamp
4	1	34133	Hose Sock 4.00" X 45"
5	1	87363	Swing Lock Pin
6	2	1043	.38" UNC X 1.00" Hex Capscrew
7	2	1503	.38" Lock Washer
8	3	1514	.38" Flat Washer
9	2	81881	Clamp Plate
10	2	81882	Rubber Spacer
11	4	1650	Snap Ring
12	Varies	6623	Thrust Washer 1.38" X .031"
	Varies	64724	Thrust Washer 1.38" X .090"
	Varies	64725	Thrust Washer 1.38" X .125"
13	1	87361	Boom Lock Pin
14	1	1860	Hair Pin Cotter
15	1	86504	Boom Assembly (Includes (4) #81610 Bushings and (2) #83368 Spacers - Bushing installed with Locktite 680)
16	2	81679 (1)	Pivot Pin
17	2	83368	Spacer (Included in Boom Assembly)
18	4	81610	Bushing (Included in Boom Assembly) (Installed with Locktite 680)
19	1	34095	Hose Sock 2.00" X 20"
20	1	1837	.38" UNC Lock Nut
21	1	82859	Double Hose Clamp

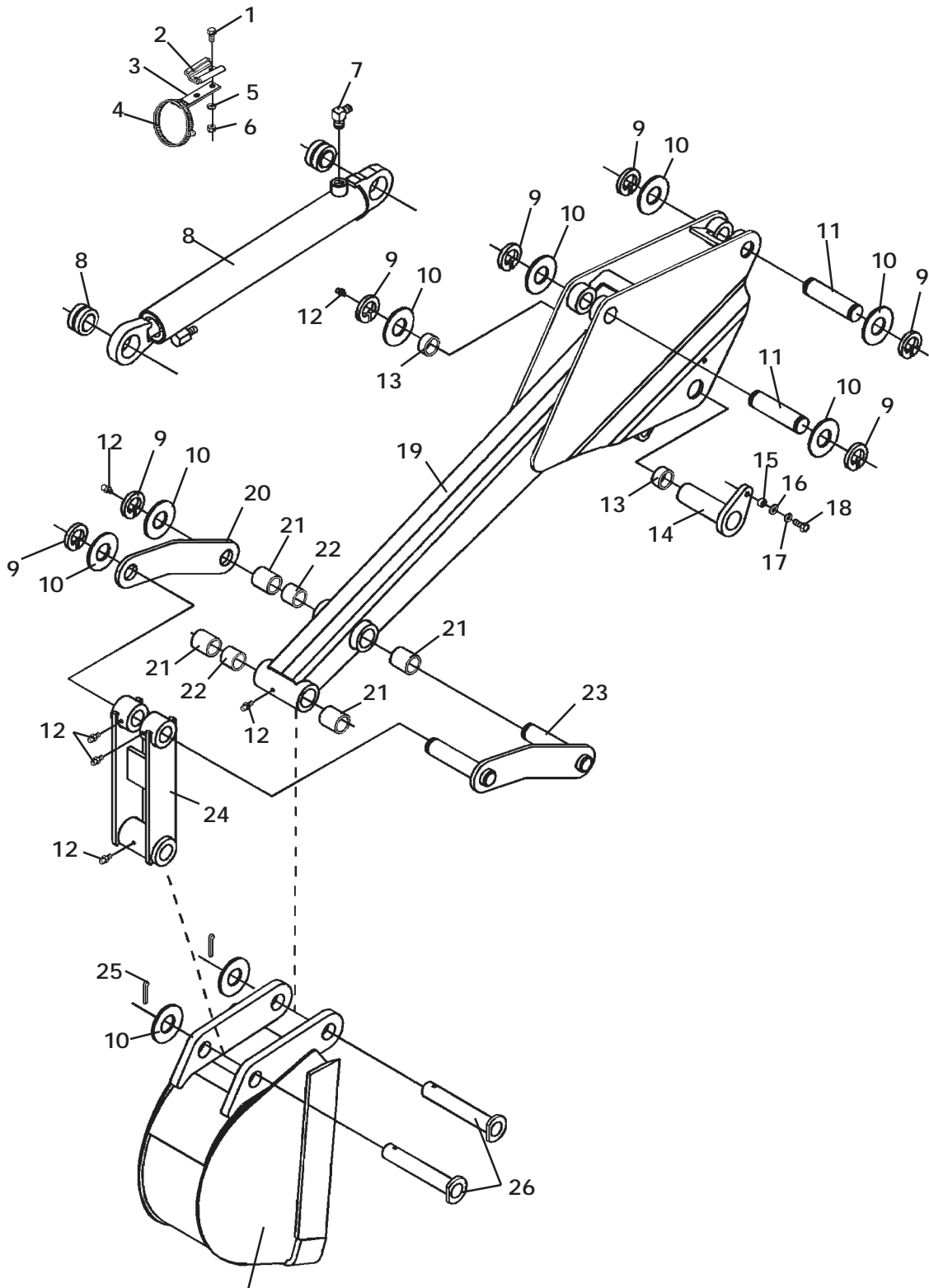
NOTE:

(1) Pivot Pin #81679 is sold only in Pin Kit #86311. Kit includes one pin #81679, two thrust washers #6623 and two snap rings #1650.

7841
8-30-99

BOOM & DIPPER ASSEMBLY

ASSEMBLY #86632



BUCKET

(NOT INCLUDED IN BOOM & DIPPER ASSEMBLY)

7842
8-30-99

BOOM & DIPPER ASSEMBLY

ASSEMBLY #86632

<u>NO</u>	<u>REQ'D</u>	<u>PART NO.</u>	<u>DESCRIPTION</u>
1	2	1020	.31" UNC X .50" Hex Capscrew
2	1	7448	SMV Clip
3	1	85745	SMV Bracket
4	1	85770	Hose Clamp
5	2	1502	.31" Lock Washer
6	2	1225	.31" UNC Hex Nut
7	1	3434	90° Elbow 6MBo-6MJ
8	1	86505	Bucket Cylinder Assembly
	2	85772	Bushing (Included in Cylinder Assembly)
	2	6616	Grease Zerk
	-	-----	Straight Adapter (#3269 8MBo-6MJ - If Required)
9	7	1650	Snap Ring
10	Varies	6623	Thrust Washer 1.38" X .031"
	Varies	64724	Thrust Washer 1.38" X .090"
	Varies	64725	Thrust Washer 1.38" X .125"
11	2	86608 (1)	Pivot Pin
12	6	6616	Grease Zerk
13	2	82443	Bushing (Included in Dipper Assembly) (Installed with Locktite Grade 680)
14	1	86603	Pin
15	1	81807	Spacer Tube
16	1	1514	.38" Flat Washer
17	1	1503	.38" Lock Washer
18	1	1043	.38" UNC X 1.00" Hex Capscrew
19	1	86489	Dipper Assembly (Includes (4) #81610 Bushings, (2) 82443 Bushings and (2) #83368 Spacers - Bushings Installed with Locktite Grade 680)
20	1	84913	Dipper Link
21	4	81610	Bushing (Included in Dipper Assembly) (Installed with Locktite Grade 680)
22	2	83368	Spacer (Included in Dipper Assembly)
23	1	83411	Dipper Link
24	1	81824	Bucket Link
25	2	1613	Cotter Pin
26	2	81672	Bucket Pin

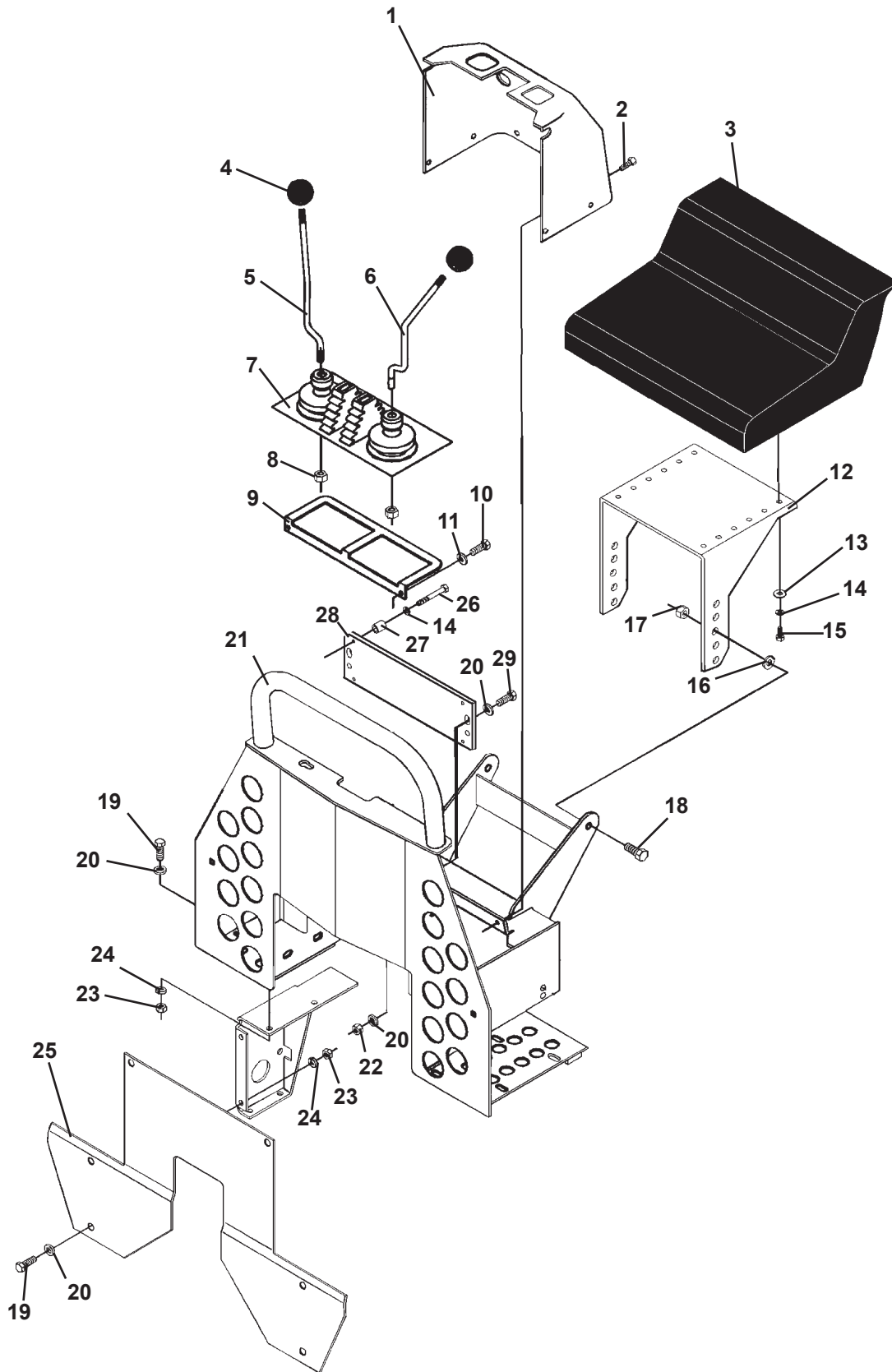
NOTE:

(1) Pivot Pin #86608 sold in Pin Kit #88011 Only. Kit Includes one pin #86608, two #6623 thrust washers and two 1650 snap rings.

7843
8-30-99

CONSOLE ASSEMBLY

ASSEMBLY #86631



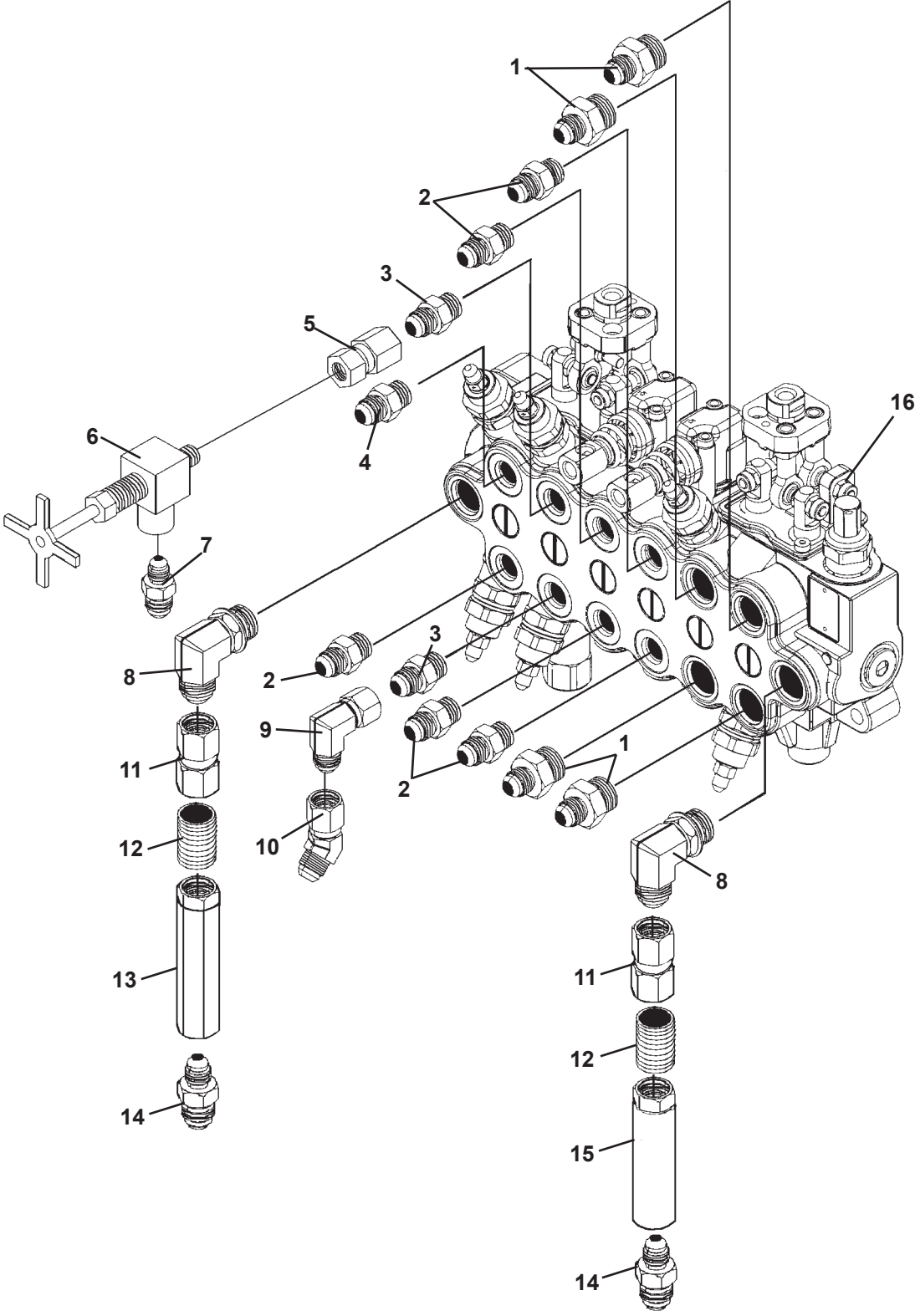
CONSOLE ASSEMBLY

ASSEMBLY #86631

<u>NO</u>	<u>REQ'D</u>	<u>PART NO.</u>	<u>DESCRIPTION</u>
1	1	88003	Console Cover with Decals
2	6	1958	.25" UNC X .75" Flange Head Capscrew
3	1	6980	Seat
4	2	85838	Ball Handle
5	1	87952	Right Control Handle
6	1	87951	Left Control Handle
7	1	83235	Control Lever Boot
8	2	2558	M10 Hex Nut
9	1	85826	Boot Support Plate
10	2	1001	.25" UNC X .50" Hex Capscrew
11	2	1501	.25" Lock Washer
12	1	87142	Seat Mounting Bracket
13	4	1513	.31" Flat Washer
14	7	1502	.31" Lock Washer
15	4	1021	.31" UNC X .75" Hex Capscrew
16	2	1516	.50" Flat Washer
17	2	1542	.50" UNC Lock Nut
18	2	1088	.50" UNC X 1.00" Hex Capscrew
19	8	1043	.38" UNC X 1.00" Hex Capscrew
20	12	1514	.38" Flat Washer
21	1	86626	Console
22	2	1837	.38" UNC Lock Nut
23	8	1226	.38" UNC Hex Nut
24	8	1503	.38" Lock Washer
25	1	87739	Closure Panel
26	3	1026	.31" UNC X 2.00" Hex Capscrew
27	3	19471	Spacer Tube
28	1	101660	Valve Mounting Plate
29	2	1044	.38" UNC X 1.25" Hex Capscrew

VALVE ASSEMBLY

BUCHER MONOBLOCK VALVE ASSEMBLY #2255



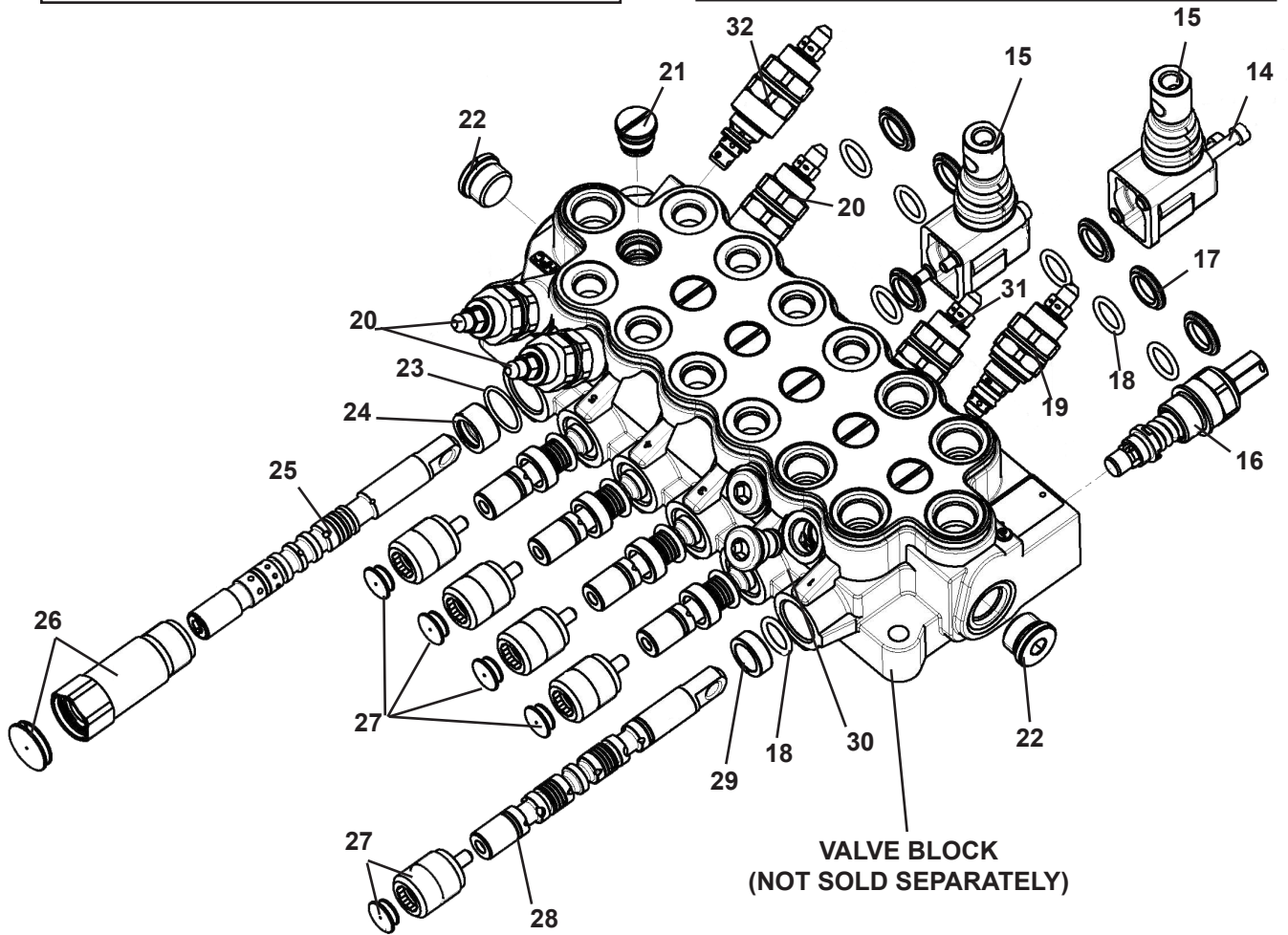
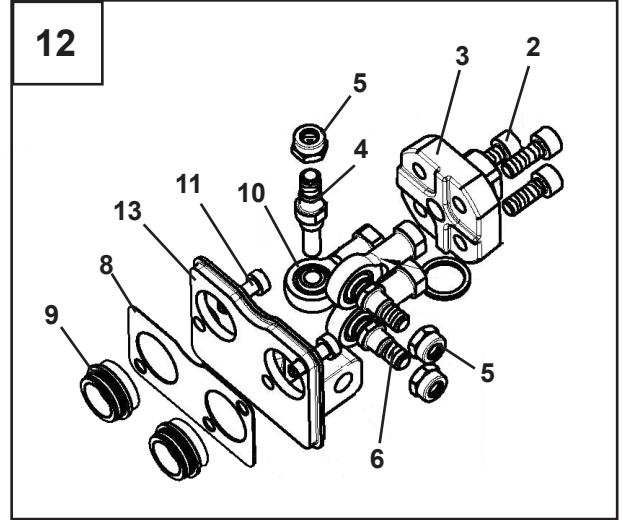
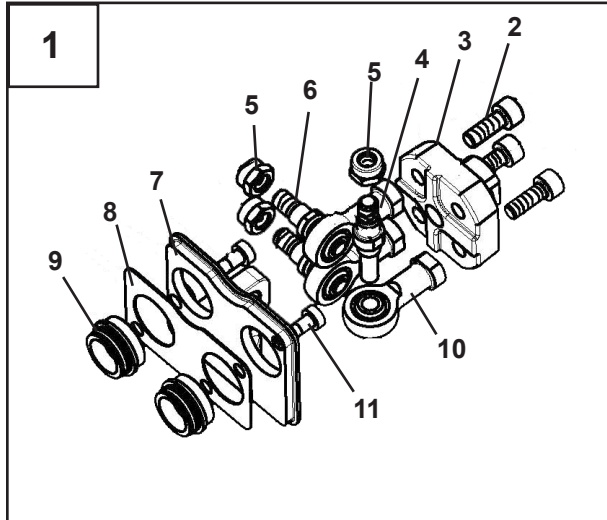
VALVE ASSEMBLY

BUCHER MONOBLOCK VALVE ASSEMBLY #2255

<u>ITEM</u>	<u>REQ'D</u>	<u>PART NO.</u>	<u>DESCRIPTION</u>
1	4	3269	Straight Connector 8MBo-6MJ
2	5	3457	Straight Connector 6MBo-6MJ
3	2	30185	Straight Connector 6MBo-6MJ with .076 Restrictor
4	1	30184	Straight Connector 6MBo-6MJ with .109 Restrictor
5	1	30187	Straight Connector 4FP-6FJX
6	1	3185	Needle Valve (Swing Speed Control)
7	1	3137	Straight Connector 4MP-6MJ
8	2	3104	90° Elbow 8MBo-8MJ
9	1	3430	90° Elbow 6MJ-6FJX
10	1	3469	45° Elbow 6MJ-6FJX
11	2	3273	Straight Connector 8FJX-8FP
12	2	3211	Close Nipple
13	1	45691	Check Valve
14	2	3070	Straight Connector 8MJ-8MP
15	1	45132	Inline Filter
16	1	103548	6-Spool Monoblock Valve

VALVE ASSEMBLY

VALVE ASSEMBLY #101548 SERVICE PARTS



VALVE ASSEMBLY

VALVE ASSEMBLY #101548 SERVICE PARTS

<u>ITEM</u>	<u>REQ'D</u>	<u>PART NO.</u>	<u>DESCRIPTION</u>
1	-	45933	Joystick Lever Assembly (Left)
2	-	45932	Screw
3	-	45931	Support
4	-	45929	Pin
5	-	45927	Nut
6	-	45928	Ball Joint
7	-	45925	Support
8	-	45924	Seal
9	-	45923	Spacer
10	-	45930	Ball Joint
11	-	45926	Screw
12	-	45942	Joystick Lever Assembly (Right)
13	-	45941	Support
14	-	45935	Screw
15	-	45934	Lever Cap
16	-	45719	Main Relief (2300 PSI)
17	-	45916	Spacer
18	-	45914	O'Ring
19	-	45716	Circuit Relief Valve (2600 PSI)
20	-	45714	Anti-Cav. Circuit Relief Valve (2300 PSI)
21	-	45922	Check Valve
22	-	45921	O'Ring Plug
23	-	45918	O'Ring
24	-	45919	Spacer
25	-	45920	Spool (Float)
26	-	45730	Float Assembly
27	-	45729	Positioner Assembly
28	-	45917	Valve Spool
29	-	45915	Spacer
30	-	45935	Circuit Relief Plug
31	-	45936	Circuit Relief Valve (2600 PSI)
32	-	45937	Anti-Cav. Circuit Relief Valve (2600 PSI)

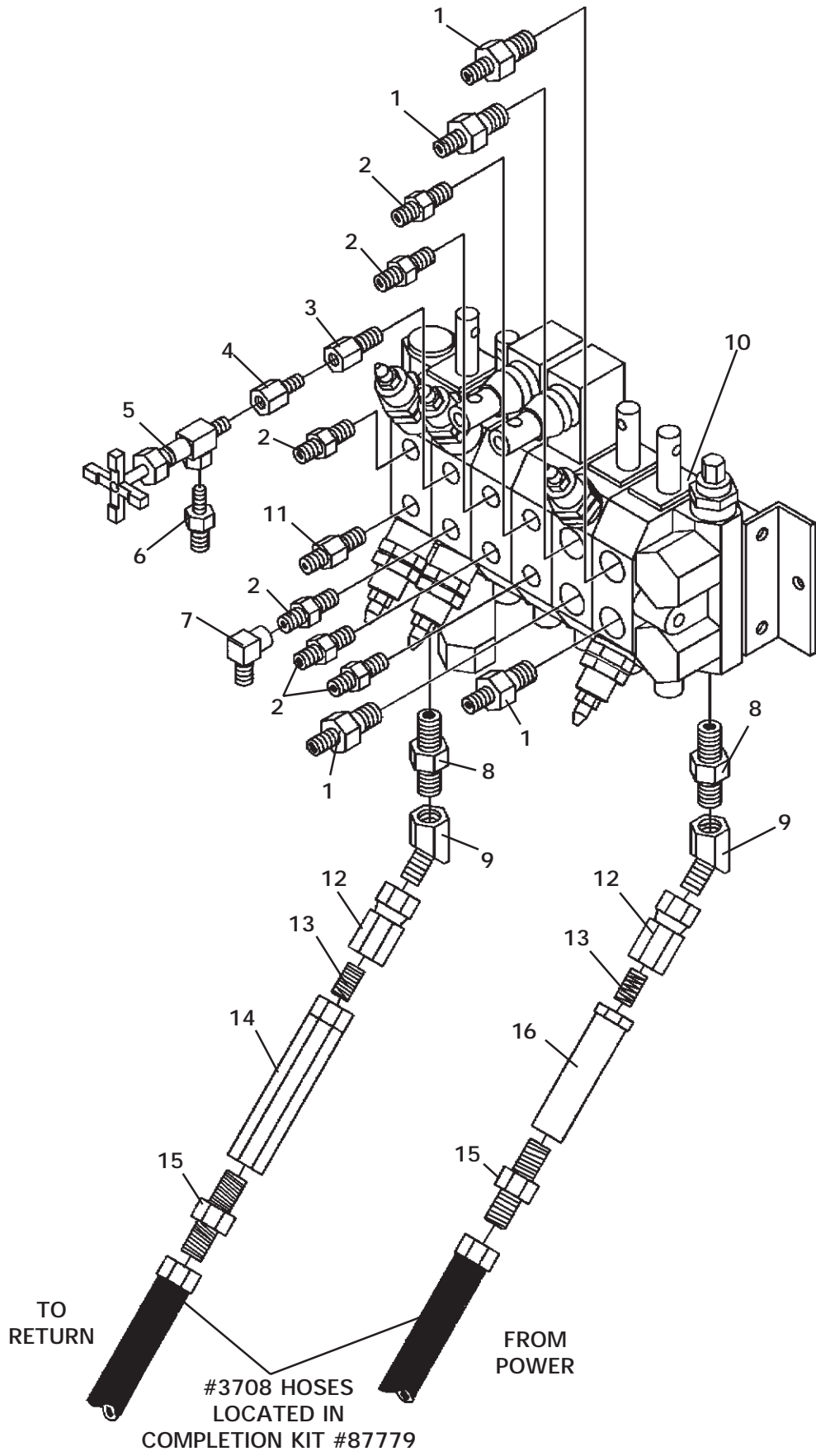
NOT SHOWN - OPTIONAL CLOSED CENTER OR POWER BEYOND

45938 #4 BSPP Plug (Functions as Closed Center Conversion or Power Beyond. See Maintenance and Service instructions in the Operator's manual for installation.)

VALVE ASSEMBLY

ASSEMBLY #2238

UP TO SERIAL #---15188



VALVE ASSEMBLY

ASSEMBLY #2238

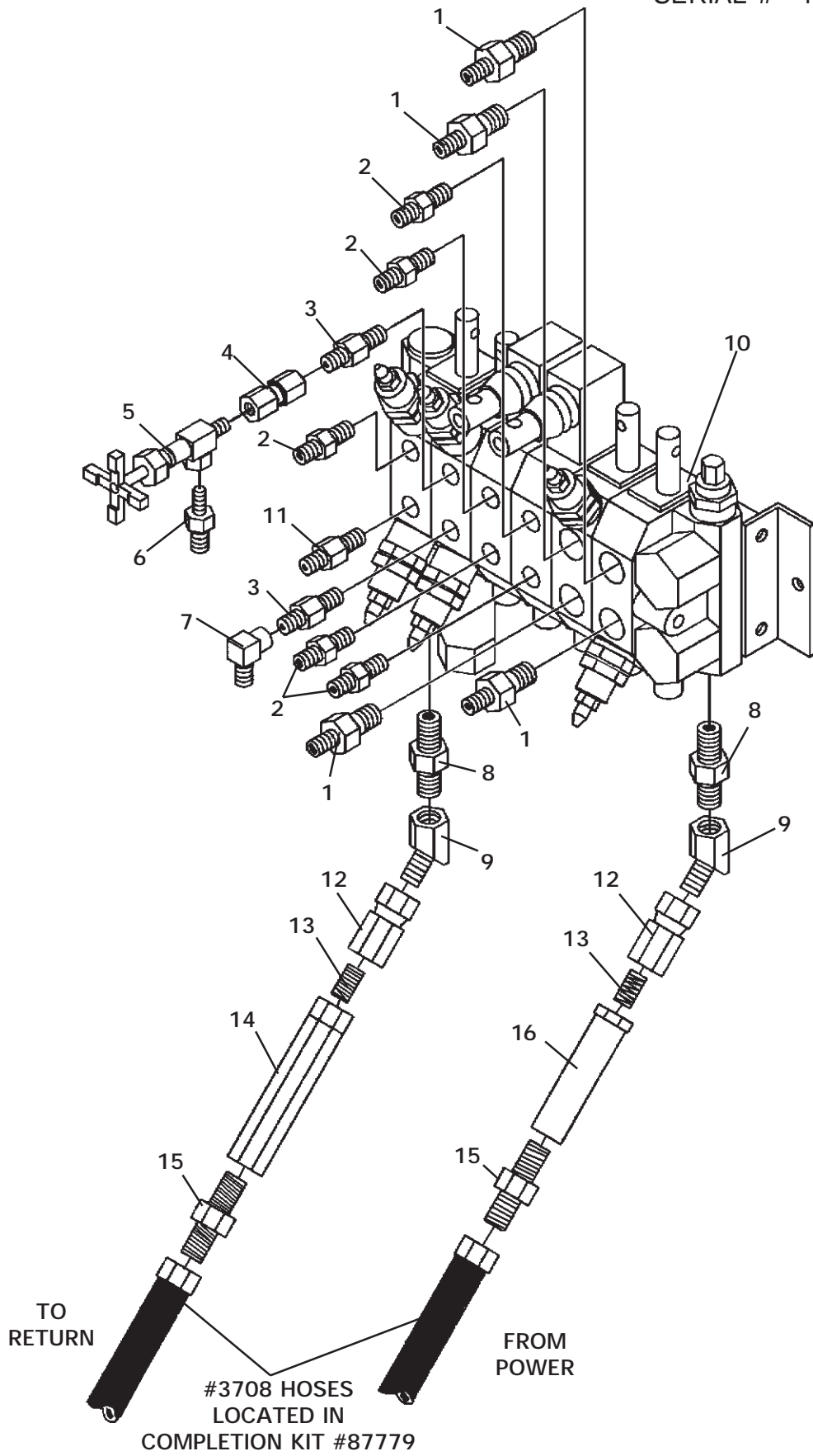
UP TO SERIAL #---15188

<u>NO</u>	<u>REQ'D</u>	<u>PART NO.</u>	<u>DESCRIPTION</u>
1	4	3269	Straight Adapter 8MBo-6MJ
2	6	3457	Straight Adapter 6MBo-6MJ
3	1	3461	Bushing Adapter 6MBo-4FP
4	1	3356	Straight Adapter 4MP-4FP
5	1	3185	Needle Valve (Swing Speed Control)
6	1	3137	Straight Adapter 4MP-6MJ
7	1	3430	90° Street Adapter 6FJX-6MJ
8	2	3103	Straight Adapter 8MBo-8MJ
9	2	30015	45° Street Adapter 8FJX-8FJX
10	1	87075	6-Spool Hidroirma Valve with Float Position on Boom Section
11	1	30184	Straight Adapter 6MBo-6MJ (With .109 Restrictor In - Free Flow Out)
12	2	3273	Coupling 8FP-8FJX
13	2	3211	Close Nipple .50" NPT
14	1	45691	Check Valve
15	2	3070	Straight Adapter 8MP-8MJ
16	1	45132	Inline Filter

VALVE ASSEMBLY

ASSEMBLY #2238

SERIAL #---15188 & UP



VALVE ASSEMBLY

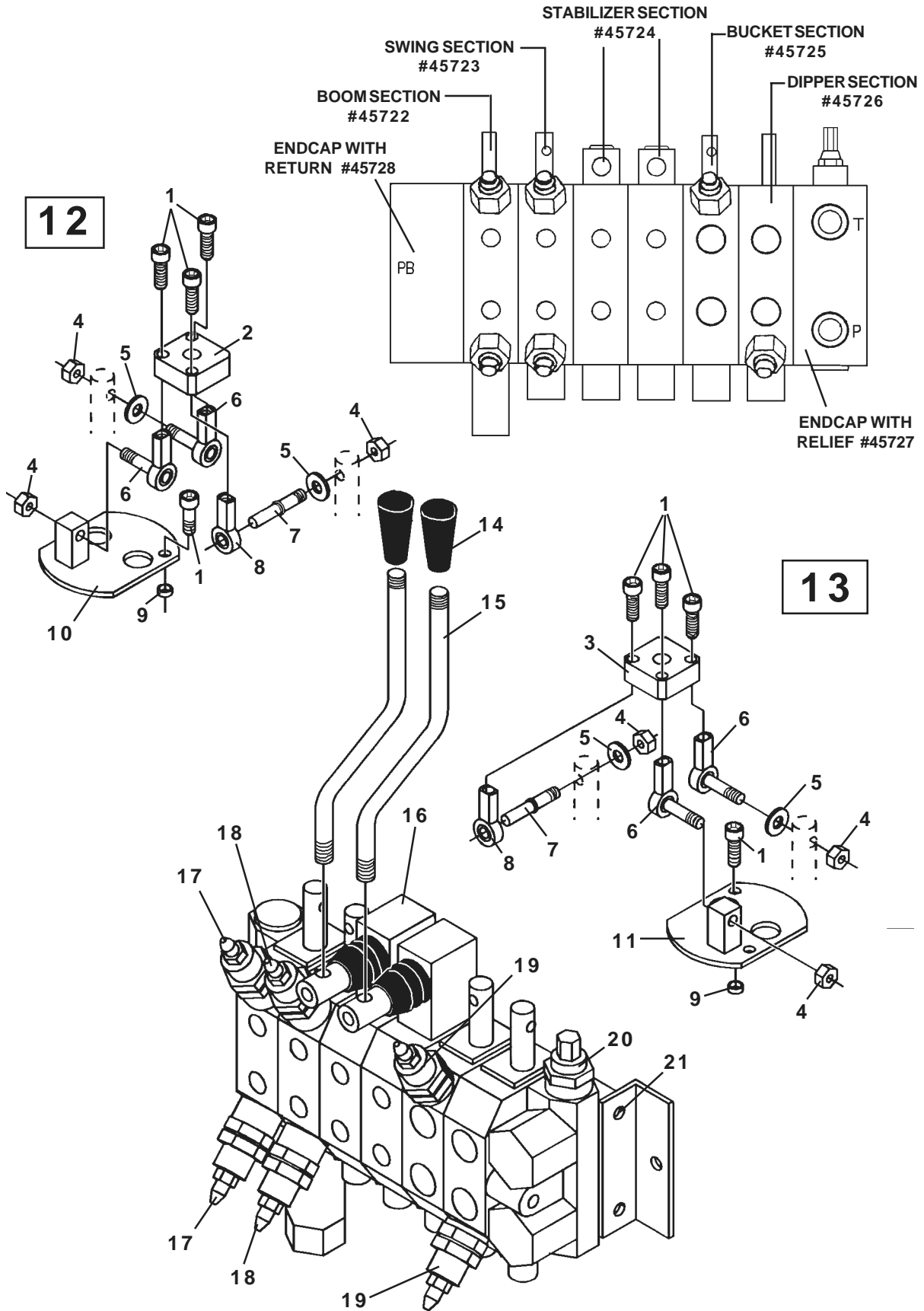
ASSEMBLY #2238

SERIAL #---15188 & UP

<u>NO</u>	<u>REQ'D</u>	<u>PART NO.</u>	<u>DESCRIPTION</u>
1	4	3269	Straight Adapter 8MBo-6MJ
2	5	3457	Straight Adapter 6MBo-6MJ
3	2	30185	Straight Adapter 6MBo-6MJ (With .076 Restrictor In - Free Flow Out)
4	1	30187	Swivel Connector 4FP-6FJX
5	1	3185	Needle Valve (Swing Speed Control)
6	1	3137	Straight Adapter 4MP-6MJ
7	1	3430	90° Street Adapter 6FJX-6MJ
8	2	3103	Straight Adapter 8MBo-8MJ
9	2	30015	45° Street Adapter 8FJX-8FJX
10	1	87075	6-Spool Hidroirma Valve with Float Position on Boom Section
11	1	30184	Straight Adapter 6MBo-6MJ (With .109 Restrictor In - Free Flow Out)
12	2	3273	Coupling 8FP-8FJX
13	2	3211	Close Nipple .50" NPT
14	1	45691	Check Valve
15	2	3070	Straight Adapter 8MP-8MJ
16	1	45132	Inline Filter

VALVE ASSEMBLY

HIDROIRMA VALVE #87075



VALVE ASSEMBLY

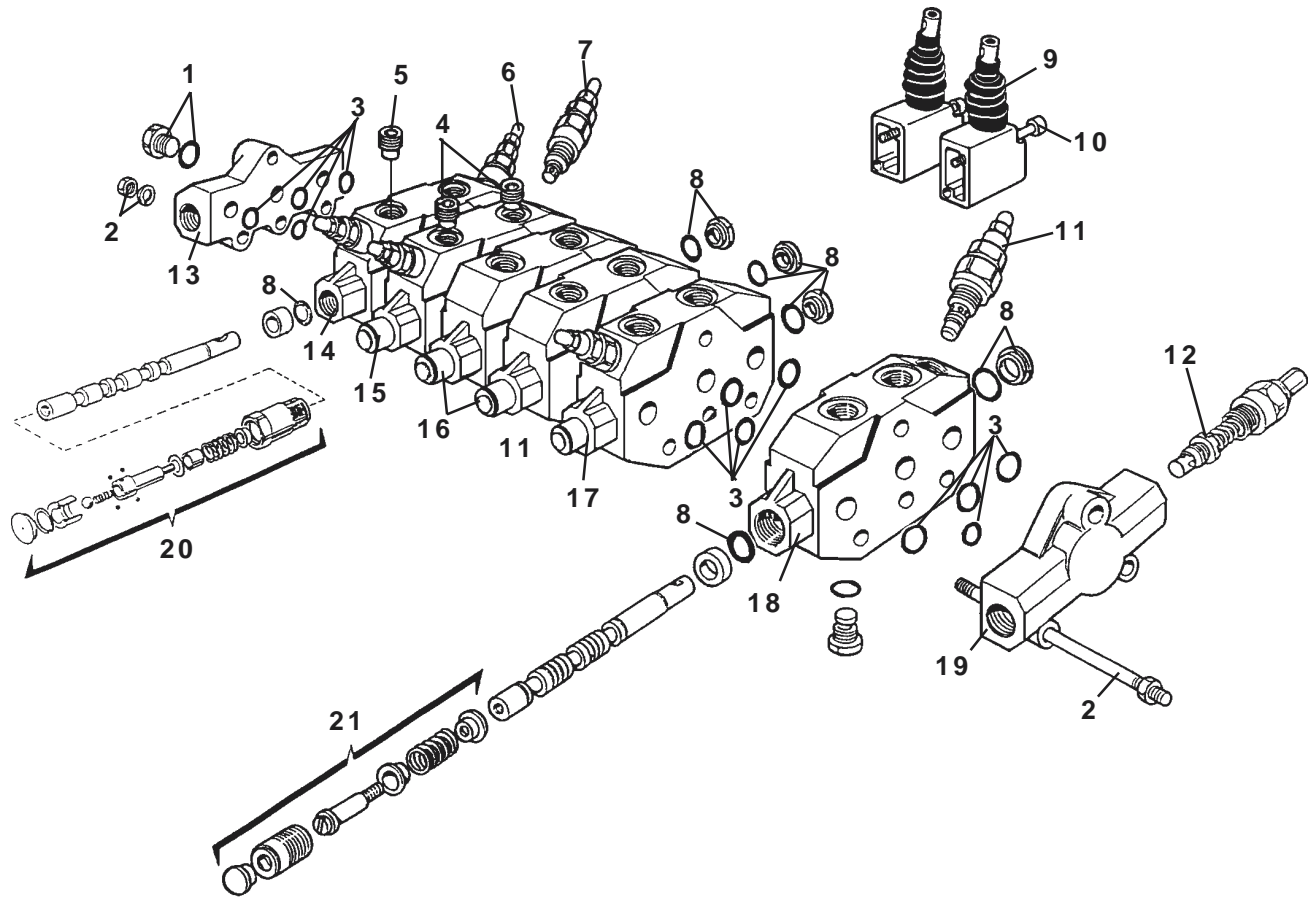
HIDROIRMA VALVE #87075

SERVICE PARTS

<u>NO</u>	<u>REQ'D</u>	<u>PART NO.</u>	<u>DESCRIPTION</u>
1	10	45702	Screw
2	1	45704	Joystick Plate - Left
3	1	45705	Joystick Plate - Right
4	6	45706	Nut
5	4	45707	Washer
6	4	45708	Terminal With Stud
7	2	45709	Joystick Spool Pin
8	2	45710	Terminal
9	4	45711	Bushing
10	1	45712	Left Joystick Support
11	1	45713	Right Joystick Support
12	-	45717	Left Joystick Assembly (Includes Items 1, 2, 4, 5, 6, 7, 8, 9, 10)
13	-	45718	Right Joystick Assembly (Includes Items 1, 3, 4, 5, 6, 7, 8, 9, 11)
14	2	86338	Knob
15	2	85837	Stabilizer Control Lever
16	-	85511	Complete Valve Assembly (Includes all Items on this Page)
17	2	45714	Circuit Relief With Anti-Cav. @ 2500 PSI
18	2	45715	Circuit Relief With Anti-Cav. @ 2250 PSI
19	2	45716	Circuit Relief @ 2500 PSI
20	1	45719	Main Relief @ 2250 PSI
21	3	45736	Tie Bolt Assembly (Includes Tie Bolt, Washer & Nut)

VALVE ASSEMBLY

REPLACEMENT PARTS - HYDROIRMA VALVE



VALVE ASSEMBLY

REPLACEMENT PARTS - HIDROIRMA VALVE

<u>NO</u>	<u>REQ'D</u>	<u>PART NO.</u>	<u>DESCRIPTION</u>
1	-	3341	Plug 8MBo
	-	3306	Replacement O'Ring
2	-	45736	Tie Rod Assembly (Includes Nuts & Washers)
3	-	45720	Section Seal Kit
4	-	45731	Restrictor .076
5	-	45732	Restrictor .109
6	-	45714	Circuit Relief With Anti-Cav. @ 2500 PSI
7	-	45715	Circuit Relief With Anti-Cav. @ 2250 PSI
8	-	45721	Spool Seal Kit
9	-	45733	Stabilizer Lever Assembly
10	-	45735	Single Slot Screw
11	-	45716	Circuit Relief @ 2500 PSI
12	-	45719	Main Relief @ 2250 PSI
13	-	45728	Endcap With Return
14	-	45722	Valve Section - Boom
15	-	45723	Valve Section - Swing
16	-	45724	Valve Section - Stabilizers
17	-	45725	Valve Section - Bucket
18	-	45726	Valve Section - Dipper
19	-	45727	Endcap With Relief
20	-	45730	Float Assembly (Spool NOT Included) (If Float Spool is damaged, it is recommended to purchase a complete Valve Section.)
21	-	45729	Positioner Assembly (Spool NOT Included) (If Positioner Spool is damaged, it is recommended to purchase a complete Valve Section.)

NOTES:

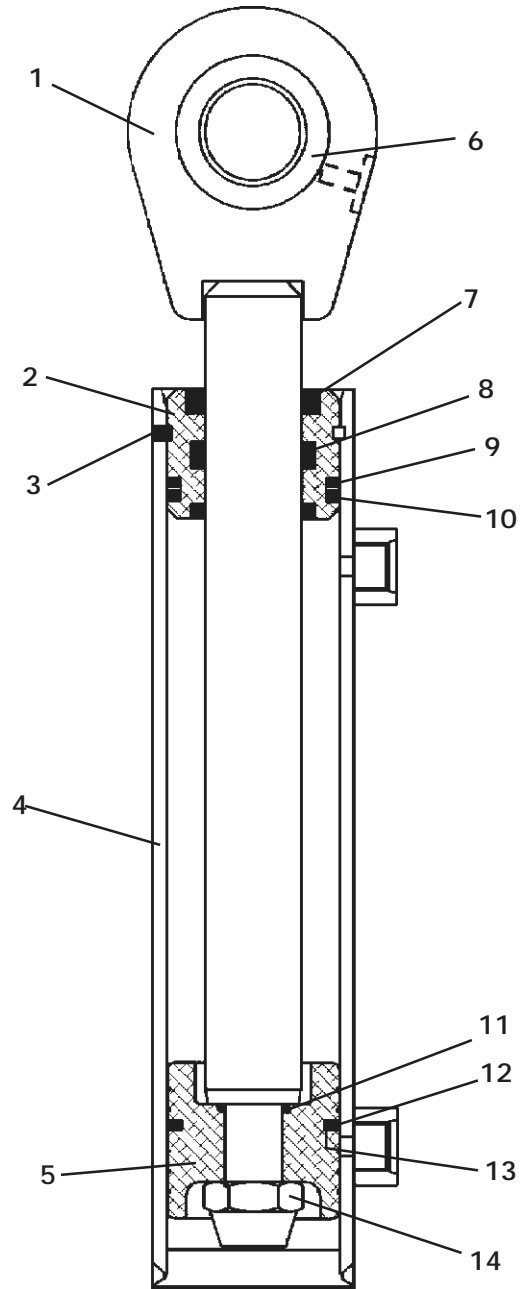
Items without part numbers are not sold separately.

Spool Seal Kit #45721 contains (2) O-Ring Seals and (1) Flanged Washer.

Section Seal Kit #45720 includes (4) O'Rings O'Ring Seals.

CYLINDER ASSEMBLY

SWING CYLINDER ASSEMBLY #86576



CYLINDER ASSEMBLY

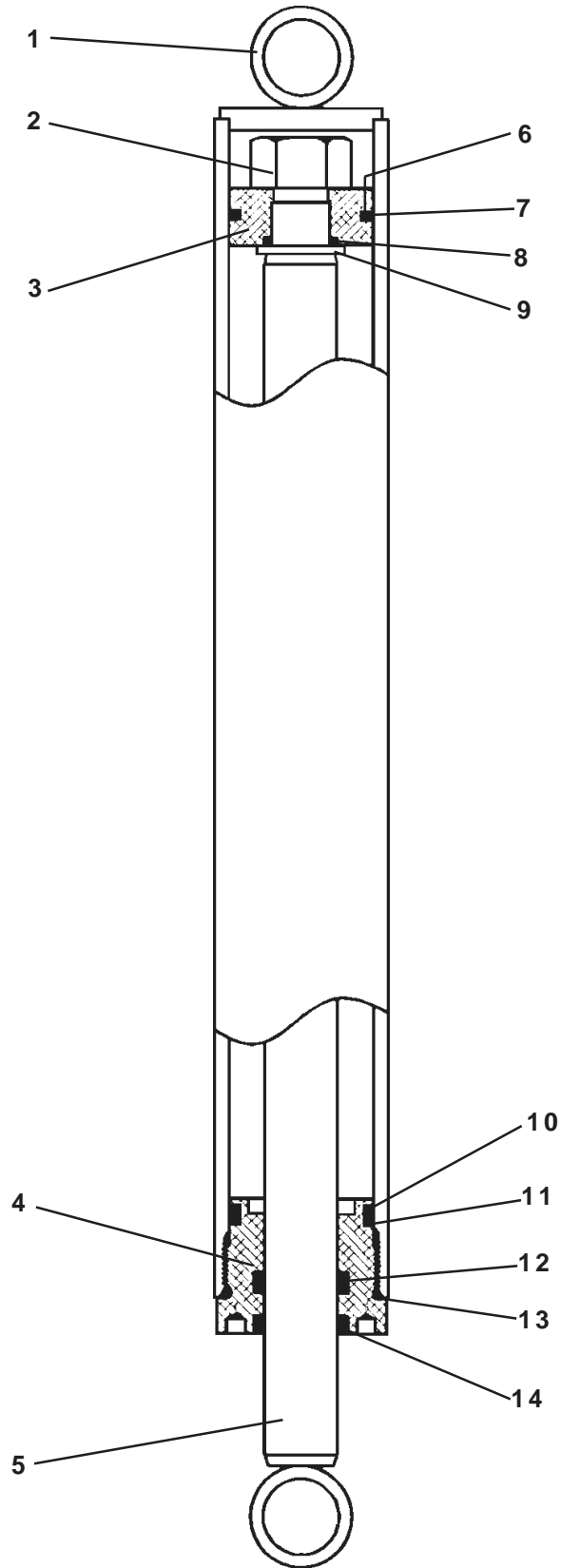
SWING CYLINDER ASSEMBLY #86576

<u>NO</u>	<u>REQ'D</u>	<u>PART NO.</u>	<u>DESCRIPTION</u>
1	1	86580	Cylinder Rod
2	1	86508	Gland
3	1	86510*	Gland Retainer Rod
4	1	86575	Cylinder Tube
5	1	86578	Piston
6	1	62523	Self Aligning Bushing
7	1	4974*	Rod Wiper
8	1	45219*	Poly Pak Seal
9	1	45700*	Back-Up Washer
10	1	45699*	O-Ring
11	1	4501*	O-Ring
12	1	45701*	Piston Ring
13	1	45443*	O-Ring
14	1	1481	.75" UNF Deformed Lock Nut

NOTE: Seal Kit #45478 includes all parts marked with an asterisk (*). Parts are not sold separately.

CYLINDER ASSEMBLY

STABILIZER CYLINDER ASSEMBLY #83397



CYLINDER ASSEMBLY

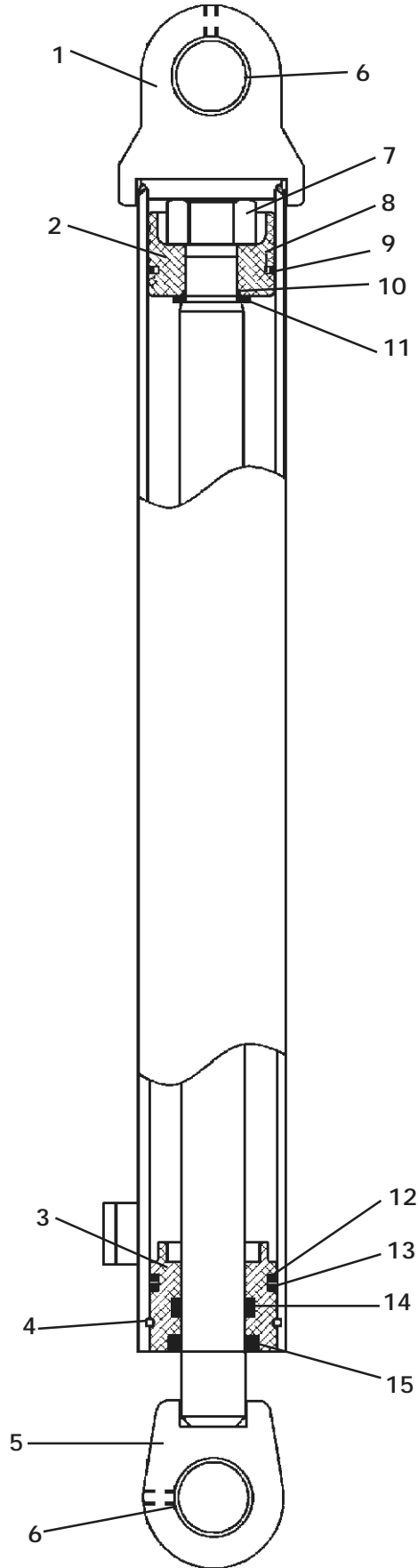
STABILIZER CYLINDER ASSEMBLY #83397
(1.25" DIAMETER CYLINDER ROD)

<u>NO</u>	<u>REQ'D</u>	<u>PART NO.</u>	<u>DESCRIPTION</u>
1	1	83398	Cylinder Tube
2	1	1483	Hex Nut
3	1	50252	Piston
4	1	77458	Cylinder Gland
5	1	83399	Cylinder Rod
6	1	4645*	O'Ring
7	1	4644*	Piston Ring
8	1	4641*	O'Ring
9	1	5421	Washer
10	1	4509*	O'Ring
11	1	4510*	Back-Up Ring
12	1	45219*	Poly Pak Seal
13	1	45250*	O'Ring
14	1	45389*	Rod Wiper

NOTE: Seal Kit #45617 includes all parts marked with an asterisk (*).
Parts are not sold separately.

CYLINDER ASSEMBLY

BOOM CYLINDER ASSEMBLY #86587



7850
9-2-99

CYLINDER ASSEMBLY

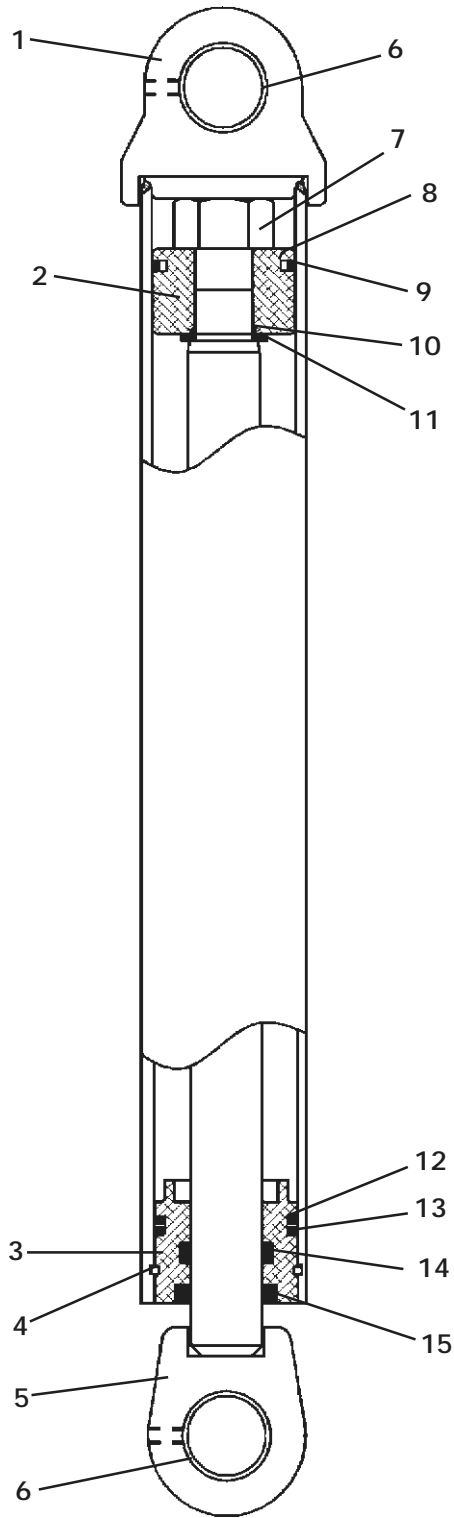
BOOM CYLINDER ASSEMBLY #86587

<u>NO</u>	<u>REQ'D</u>	<u>PART NO.</u>	<u>DESCRIPTION</u>
1	1	86591	Cylinder Tube
2	1	86586	Piston
3	1	62770	Gland
4	1	7165*	Gland Retainer Rod
5	1	86588	Cylinder Rod
6	2	85772	Bushing
7	1	1483	1.00" Deformed Hex Nut
8	1	4645*	O-Ring
9	1	4644*	Piston Ring
10	1	4641*	O-Ring
11	1	5421	Spacer
12	1	4509*	O-Ring
13	1	4510*	Back-Up Washer
14	1	45219*	Poly Pak Seal
15	1	4974*	Rod Wiper

NOTE: Seal Kit #45258 includes all parts marked with an asterisk (*). Parts are not sold separately.

CYLINDER ASSEMBLY

DIPPER CYLINDER ASSEMBLY #86561



CYLINDER ASSEMBLY

DIPPER CYLINDER ASSEMBLY #86561

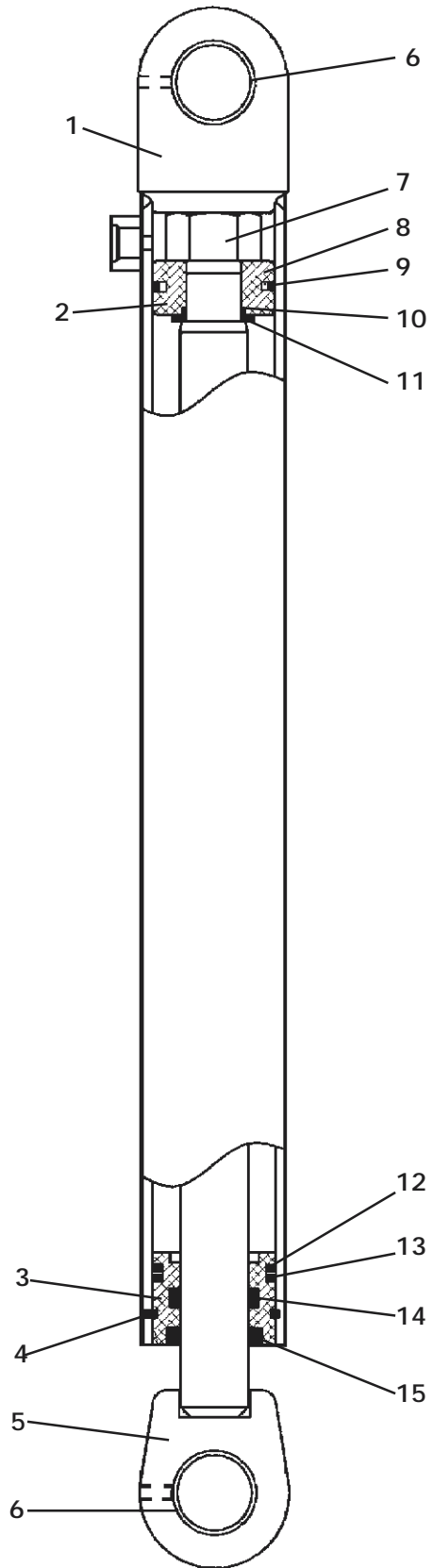
<u>NO</u>	<u>REQ'D</u>	<u>PART NO.</u>	<u>DESCRIPTION</u>
1	1	86566	Cylinder Tube
2	1	86565	Piston
3	1	62770	Gland
4	1	7165*	Gland Retainer Rod
5	1	86567	Cylinder Rod
6	2	85772	Bushing
7	1	1483	1.00" Deformed Hex Nut
8	1	4645*	O-Ring
9	1	4644*	Piston Ring
10	1	4641*	O-Ring
11	1	5421	Spacer
12	1	4509*	O-Ring
13	1	4510*	Back-Up Washer
14	1	45219*	Poly Pak Seal
15	1	4974*	Rod Wiper

NOTE: Seal Kit #45258 includes all parts marked with an asterisk (*).
Parts are not sold separately.

7853
9-2-99

CYLINDER ASSEMBLY

BUCKET CYLINDER ASSEMBLY #86505



7854
9-2-99

CYLINDER ASSEMBLY

BUCKET CYLINDER ASSEMBLY #86505

<u>NO</u>	<u>REQ'D</u>	<u>PART NO.</u>	<u>DESCRIPTION</u>
1	1	86506	Cylinder Tube
2	1	86509	Piston
3	1	86508	Gland
4	1	86510*	Gland Retainer Rod
5	1	86507	Cylinder Rod
6	2	85772	Bushing
7	1	1483	1.00" Deformed Hex Nut
8	1	45443*	O-Ring
9	1	45701*	Piston Ring
10	1	4641*	O-Ring
11	1	5421	Spacer
12	1	45699*	O-Ring
13	1	45700*	Back-Up Washer
14	1	45219*	Poly Pak Seal
15	1	4974*	Rod Wiper

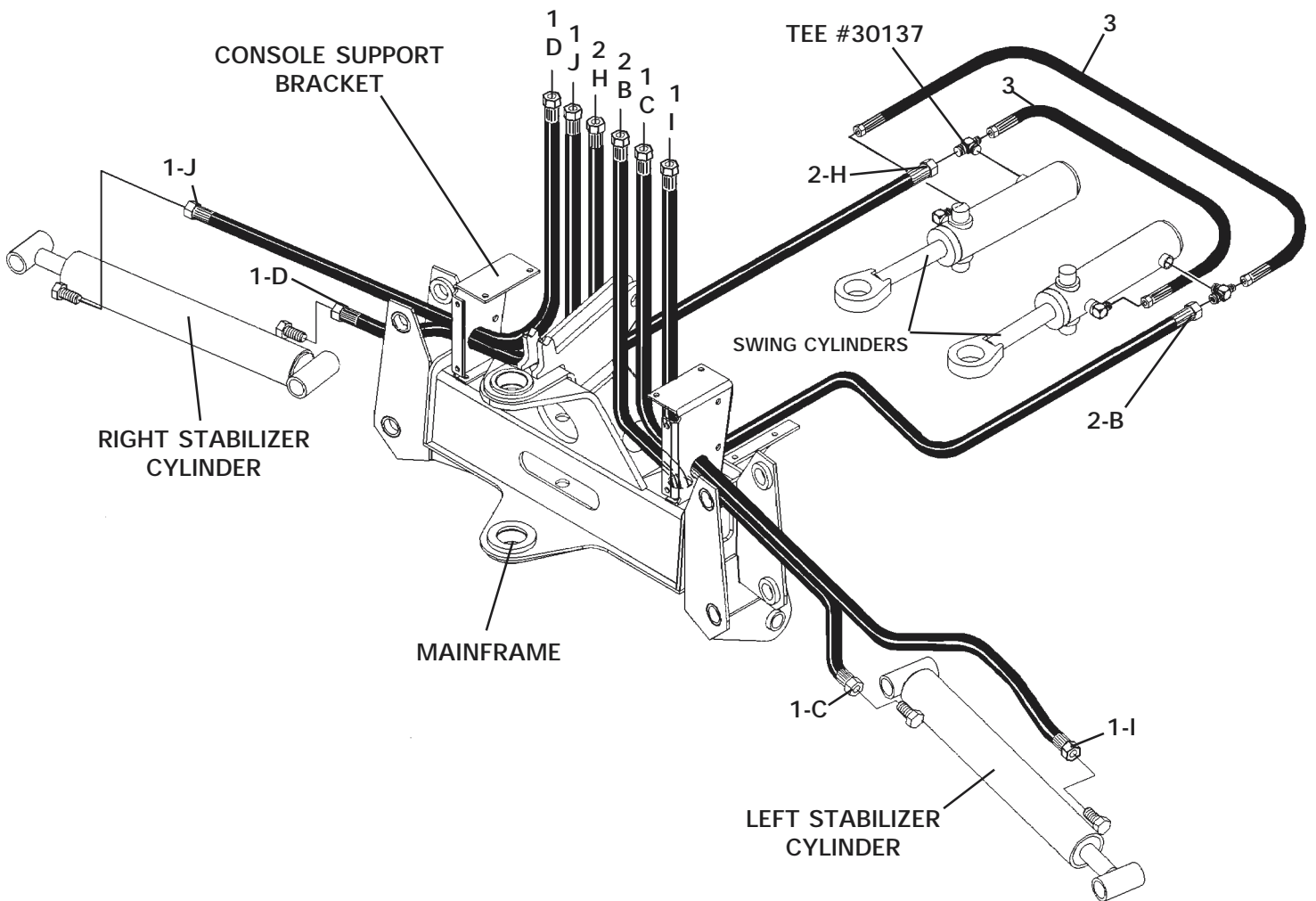
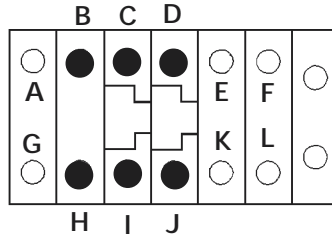
NOTE: Seal Kit #45478 includes all parts marked with an asterisk (*). Parts are not sold separately.

7855
9-2-99

MAINFRAME HOSE SET

ASSEMBLY #86643

HYDRAULIC CONTROL VALVE



MAINFRAME HOSE SET

ASSEMBLY #86643

<u>NO</u>	<u>REQ'D</u>	<u>PART NO.</u>	<u>DESCRIPTION</u>
1	4	37733	Hose .25" X 46" 6FJX - 6FJX
2	2	37731	Hose .25" X 36" 6FJX - 6FJX
3	2	37732	Hose .25" X 26" 6FJX - 6FJX

NOTE: Letters on the hose set diagram show the hydraulic hose routing between the backhoe control valve and the various hydraulic cylinders. Simply match the letter on the control valve port to the same letter on the hydraulic hose ends. Example: Hose labeled "C" runs from the upper Left Stabilizer port on the hydraulic control valve - through the console support bracket and to the barrel end fitting on the left stabilizer cylinder.

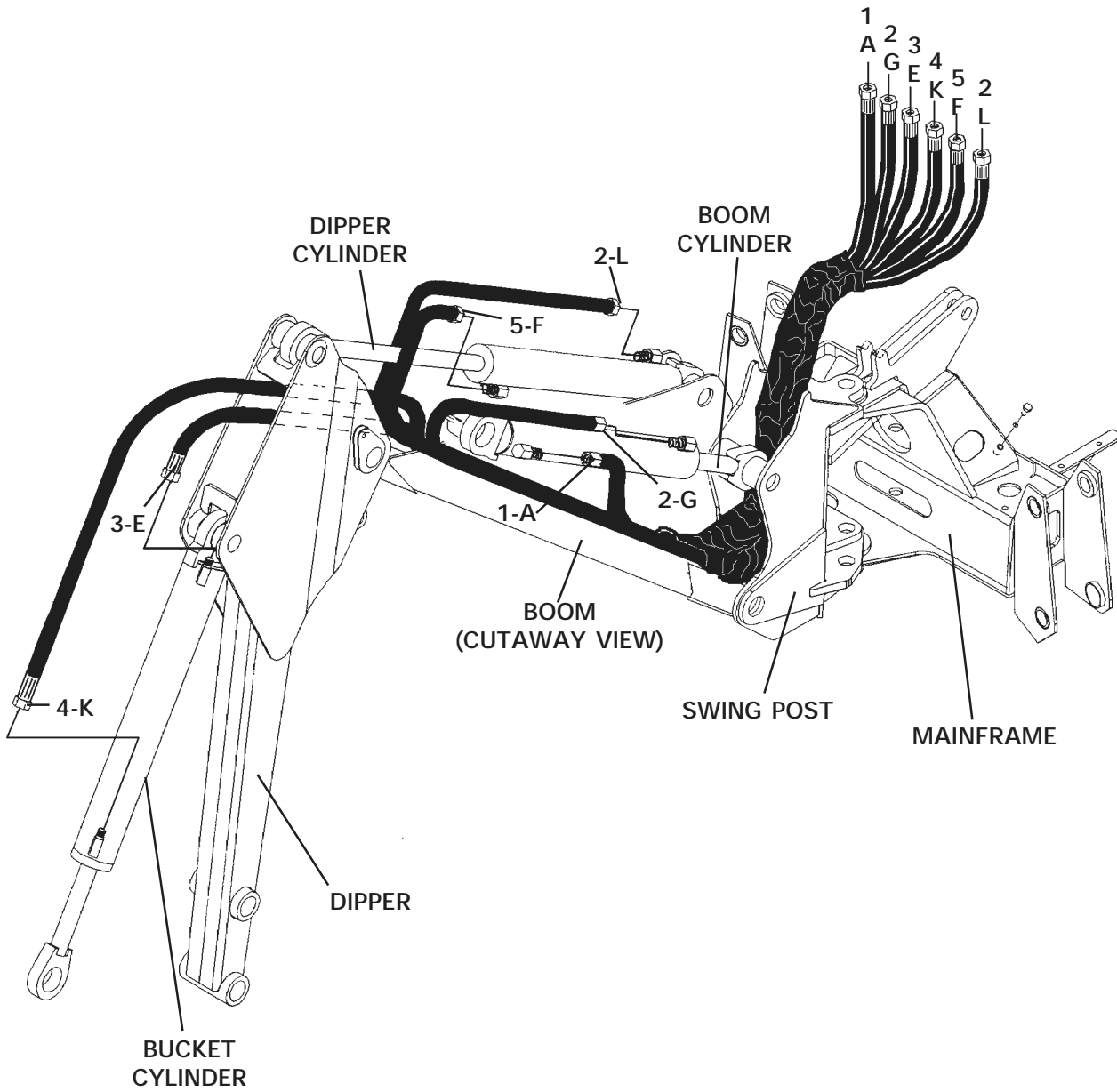
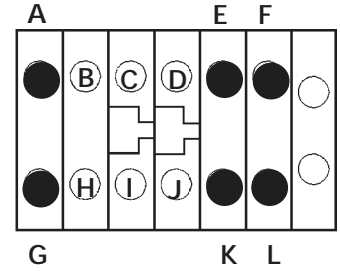
NOTE: The fittings on the hydraulic cylinders have been altered for clarity purposes. This will assist you in distinguishing between the rod end and the barrel end of the various hydraulic cylinders.

7861
9-8-99

BOOM & DIPPER HOSE SET

ASSEMBLY #86644

HYDRAULIC CONTROL VALVE



BOOM & DIPPER HOSE SET

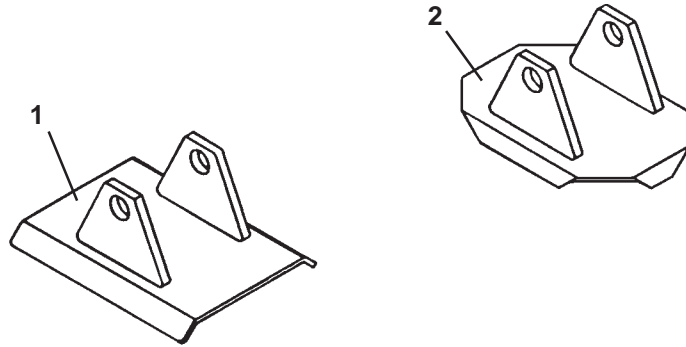
ASSEMBLY #86644

<u>NO</u>	<u>REQ'D</u>	<u>PART NO.</u>	<u>DESCRIPTION</u>
1	1	37726	Hose .25" X 79" 6FJX - 6FJX
2	2	37727	Hose .25" X 115" 6FJX - 6FJX
3	1	37729	Hose .25" X 121" 6FJX - 6FJX
4	1	37730	Hose .25" X 135" 6FJX - 6FJX
5	1	37728	Hose .25" X 101" 6FJX - 6FJX

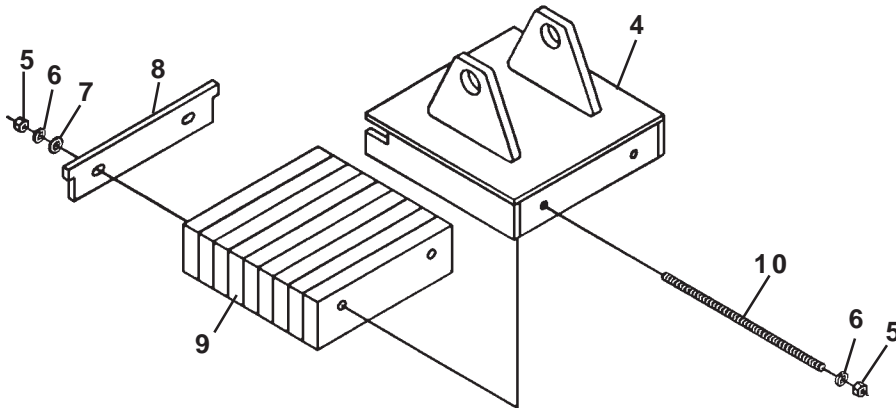
NOTE: Letters on the hose set diagram show the hydraulic hose routing between the backhoe control valve and the various hydraulic cylinders. Simply match the letter on the control valve port to the same letter on the hydraulic hose ends. Example: Hose labeled "G" runs from the lower Boom port on the hydraulic control valve - through the swing post (hose sock) and to the rod end fitting on the boom cylinder.

NOTE: The fittings on the hydraulic cylinders have been altered for clarity purposes. This will assist you in distinguishing between the rod end and the barrel end of the various hydraulic cylinders.

STABILIZER PADS



3

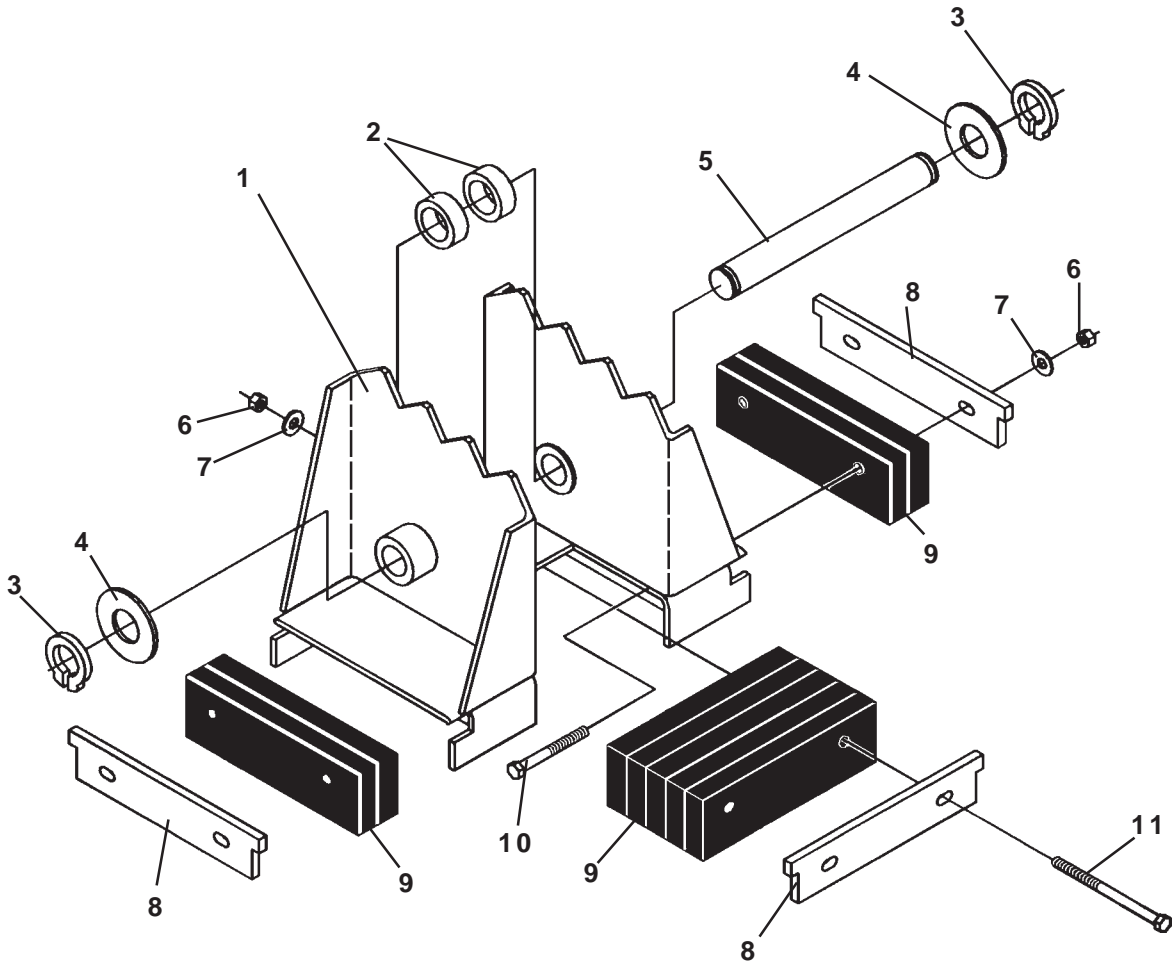


STABILIZER PADS

<u>NO</u>	<u>REQ'D</u>	<u>PART NO.</u>	<u>DESCRIPTION</u>
FLAT STABILIZER PAD ASSEMBLY - #81861			
1	2	81865	Flat Stabilizer Pad
GROUSER STABILIZER PAD ASSEMBLY - #81860			
2	2	83421	Grouser Stabilizer Pad
RUBBER STABILIZER PAD ASSEMBLY - #81862			
3	2	83418	Rubber Stabilizer Pad Assembly (Includes Items 4 through 10)
4	1	83419	Stabilizer Pad
5	4	1226	.38" UNC Hex Nut
6	4	1503	.38" Lock Washer
7	2	1514	.38" Flat Washer
8	1	51190	Slide Plate
9	1	64412	Rubber Strip Bundle
10	2	1661	.38" UNC X 11.50" Read Bolt

STABILIZER PADS

FLIP-OVER STABILIZER PAD ASSEMBLY #83091
(COMPLETE SET OF (2) FLIP-OVER PADS - ASSEMBLY #83058)



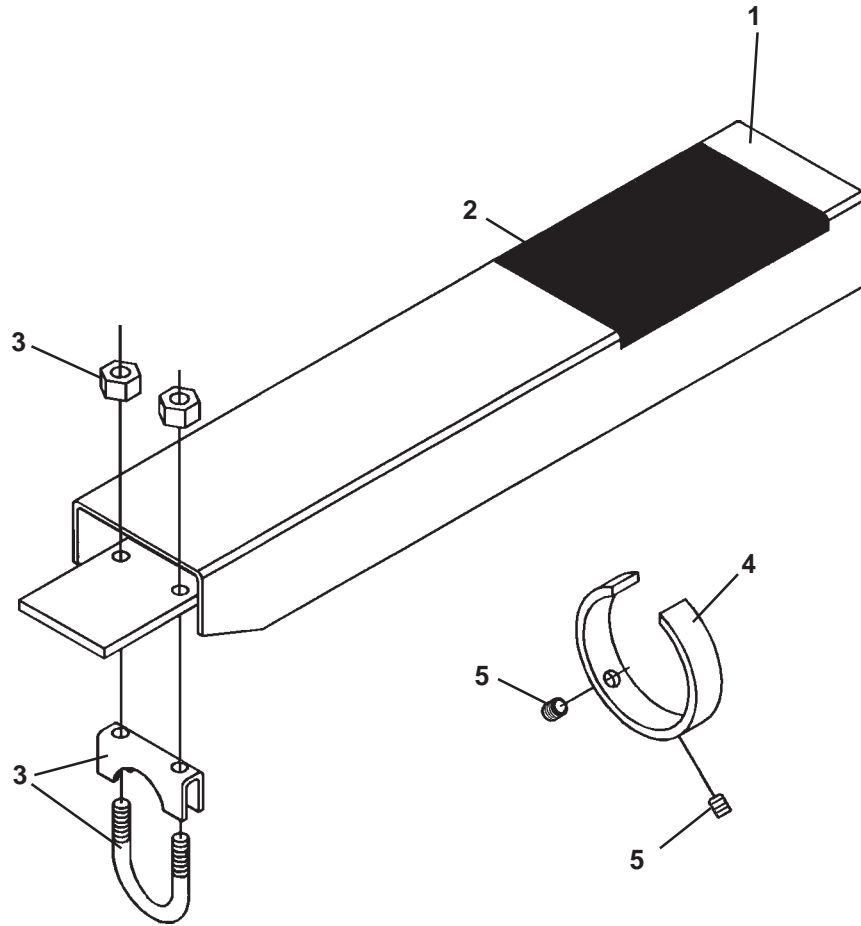
STABILIZER PADS

FLIP-OVER STABILIZER PAD ASSEMBLY #83091
(COMPLETE SET OF (2) FLIP-OVER PADS - ASSEMBLY #83058)

<u>NO</u>	<u>REQ'D</u>	<u>PART NO.</u>	<u>DESCRIPTION</u>
1	1	84496	Flip-Over Pad
2	2	84495	Spacer
3	2	1652	1.25" Snap Ring
4	VARIABLES	57693	Thrust Washer 1.25" X .078"
	VARIABLES	64727	Thrust Washer 1.25" X .125"
5	1	83096	Pin
6	6	1837	.38" UNC Hex Deformed Lock Nut
7	6	1514	.38" Flat Washer
8	3	51190	Slide Plate
9	1	64412	Rubber Strip Bundle
10	4	1053	.38" UNC X 3.50" Hex Capscrew
11	2	1057	.38" UNC X 5.00" Hex Capscrew

OPTIONAL STABILIZER CYLINDER COVER

STABILIZER CYLINDER COVER ASSEMBLY #83850



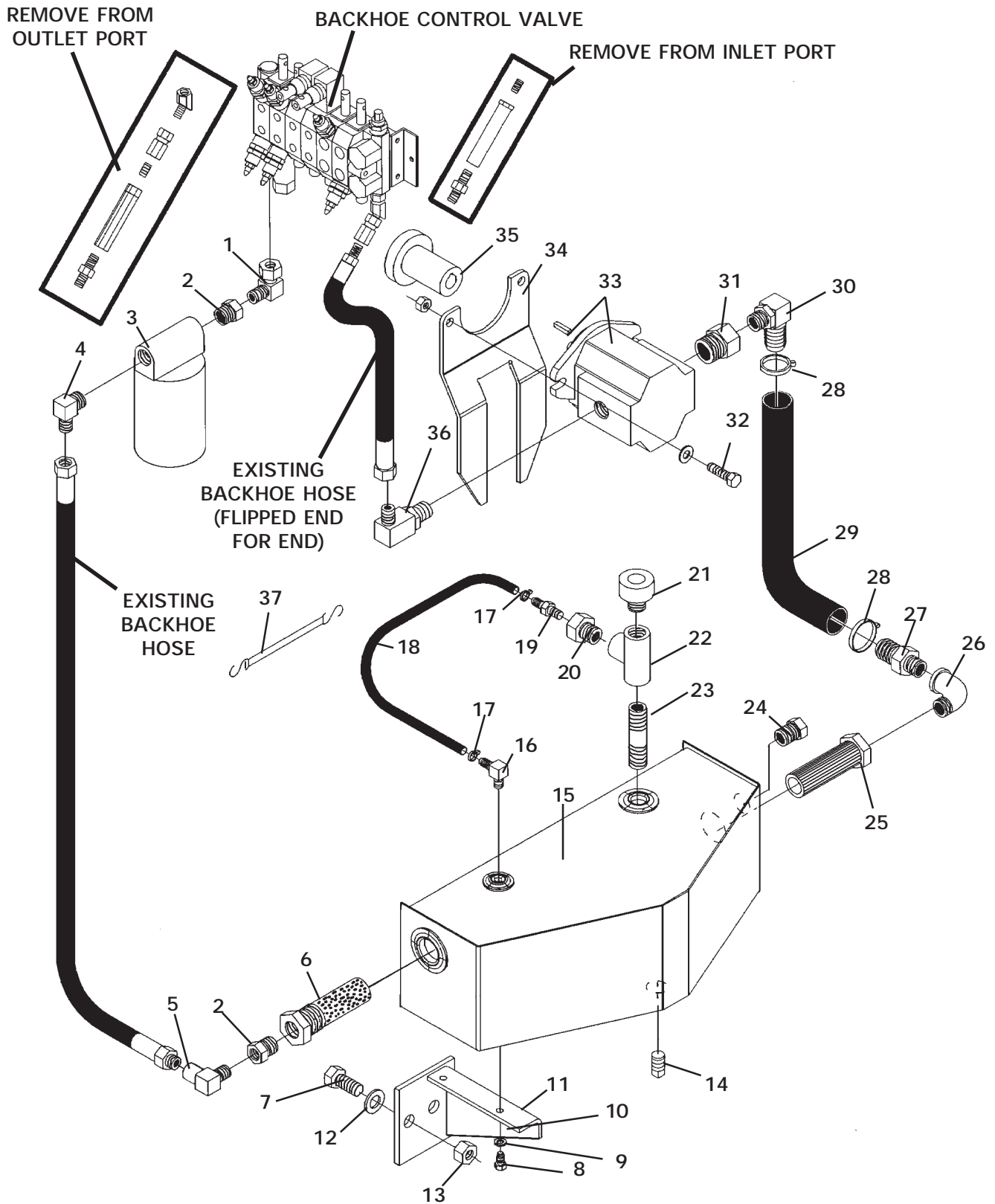
OPTIONAL STABILIZER CYLINDER COVER

STABILIZER CYLINDER COVER ASSEMBLY #83850

<u>NO</u>	<u>REQ'D</u>	<u>PART NO.</u>	<u>DESCRIPTION</u>
1	2	83915	Stabilizer Cylinder Cover with Decal
2	2	4167	No Step Decal
3	2	83910	1.25" Clamp Assembly
4	2	83911	Guide Ring
5	4	1575	.38" UNC X .50" Set Screw

MOUNTING KIT INSTALLATION

PTO PUMP HYDRAULIC KIT #87893

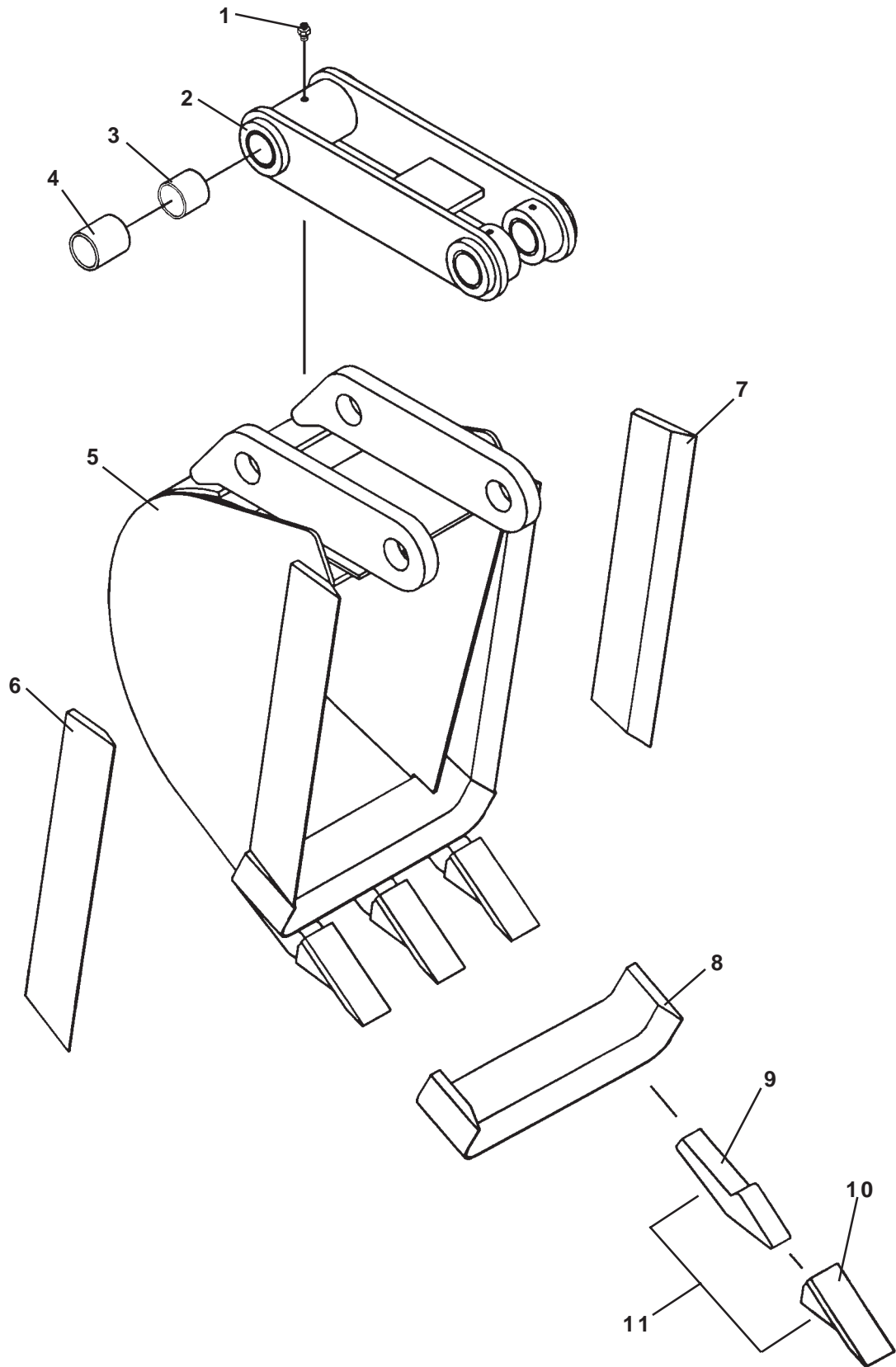


MOUNTING KIT INSTALLATION

PTO PUMP HYDRAULIC KIT #87893

<u>NO</u>	<u>REQ'D</u>	<u>PART NO.</u>	<u>DESCRIPTION</u>
1	1	3444	90° Elbow
2	2	3049	Bushing
3	1	4997	Oil Filter with Housing
	-	4996	Replacement Oil Filter
	-	4137	Replacement Change Oil Decal
4	1	3065	90° Elbow
5	1	3133	90° Elbow
6	1	45756	Diffuser
7	4	1139	.75" UNC X 2.00" Hex Capscrew
8	4	1042	.38" UNC X .75" Hex Capscrew
9	4	1503	.38" Lock Washer
10	4	1800	.38" Hard Flat Washer
11	1	87932	Left Tank Mounting Bracket (Shown)
	1	87931	Right Tank Mounting Bracket
12	4	1649	.75" Hard Flat Washer
13	4	1534	.75" UNC Lock Nut
14	1	79032	Magnetic Plug
15	1	87889	Hydraulic Tank
16	1	3012	90° Hose Barb
17	2	53167	Hose Clamp
18	1	37737	Cross Vent Hose
19	1	3011	Hose Barb
20	1	3140	Bushing
21	1	54645	Breather Cap
22	1	3068	Tee
23	1	3159	Nipple
24	1	85339	Site Gauge
25	1	45755	Suction Strainer
26	1	3076	90° Elbow
27	1	3053	Hose Barb
28	2	6490	Hose Clamp
29	1	35929	Suction Hose
30	1	3339	90° Hose Barb
31	2	30332	Straight Connector
32	2	1091	.50" UNC X 1.75" Hex Capscrew
	2	1646	.50" Hard Flat Washer
	2	1841	.50" UNC Deformed Lock Nut
33	1	19050	PTO Hydraulic Pump
	-	100301	Replacement Key
34	1	19190	Anti-Rotation Pump Plate
35	1	19058	PTO Pump Adapter
36	1	3316	90° Elbow
37	1	88128	Bungy Cord

BUCKET ASSEMBLIES



6735
12-12-95

BUCKET ASSEMBLIES

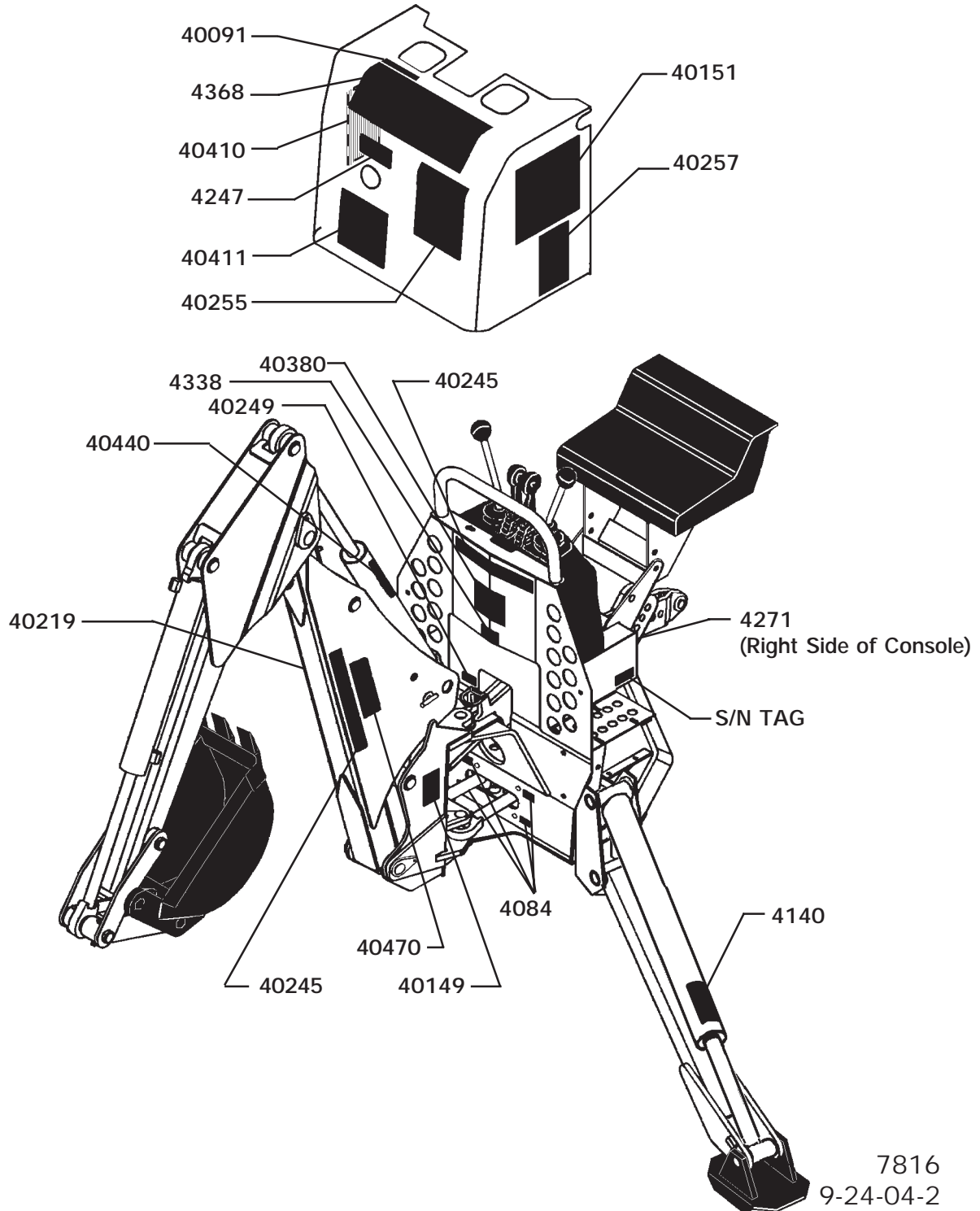
<u>NO</u>	<u>PART NO.</u>	<u>DESCRIPTION</u>
1	6616	Replacement Grease Zerk
2	81824	Replacement Bucket Link (Requires (3) #6616 Grease Zerks, (4) #81610 Bushings, (1) #83368 Spacer)
3	83368	Replacement Spacer
4	81610	Replacement Bushing
5	81710	10" Bucket Weldment
	81712	12" Bucket Weldment
	81716	16" Bucket Weldment
	81718	18" Bucket Weldment
	81724	24" Bucket Weldment
6	81667	Replacement Right Side Cutter
7	81668	Replacement Left Side Cutter
8	81906	10" Replacement Front Cutter Edge
	81902	12" Replacement Front Cutter Edge
	81898	16" Replacement Front Cutter Edge
	81894	18" Replacement Front Cutter Edge
	81666	24" Replacement Front Cutter Edge
9	6398	Replacement Tooth Shank
10	6397	Replace Tooth Point
11	8274	Replacement Tooth Point & Shank

DECALS

DECAL PLACEMENT

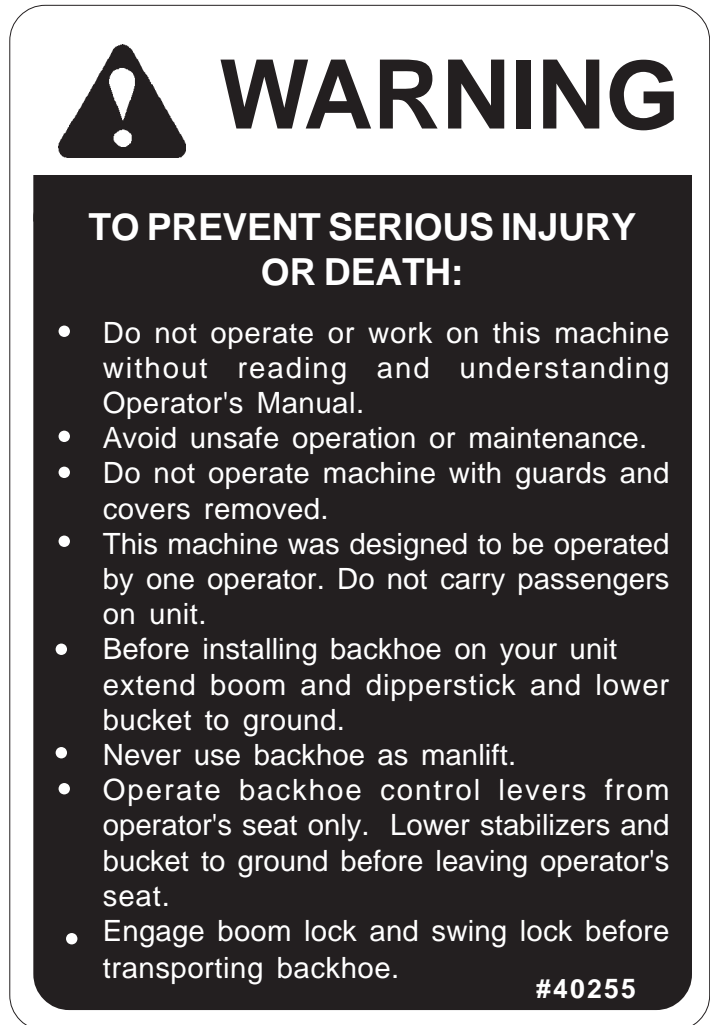
GENERAL INFORMATION

The diagrams on this page show the location of all the decals used on the 3375 backhoe. The decals are identified by their part numbers, with reductions of the actual decals located on the following pages. Use this information to order replacements for lost or damaged decals. Be sure to read all decals before operating the backhoe. They contain information you need to know for both safety and backhoe longevity.

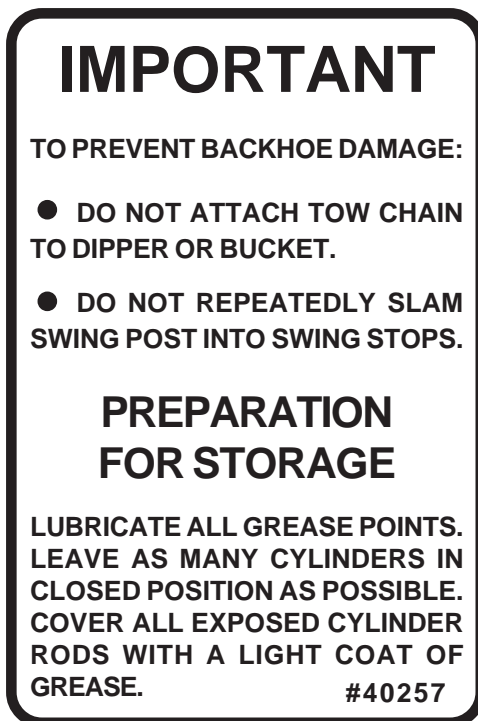




PART #40151
HIGH PRESSURE FLUID DECAL



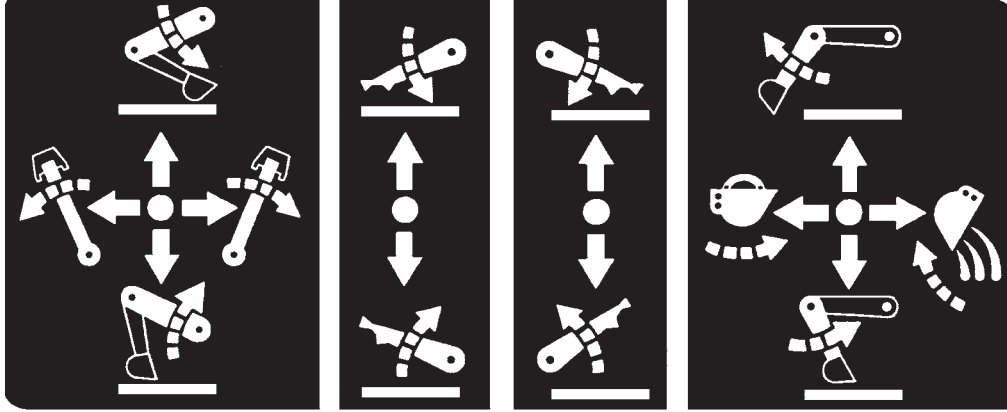
PART #40255
OPERATIONAL WARNING DECAL



PART #40257
IMPORTANT! DECAL



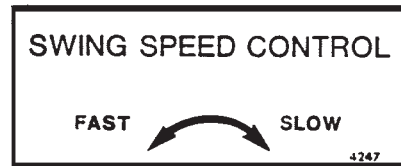
PART #40149
DANGER! PINCH POINTS



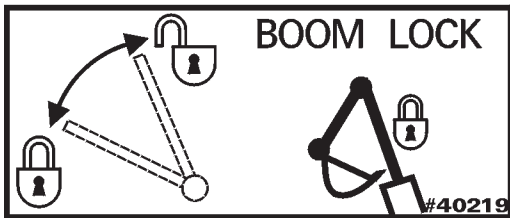
PART #4368
OPERATING CONTROLS DECAL



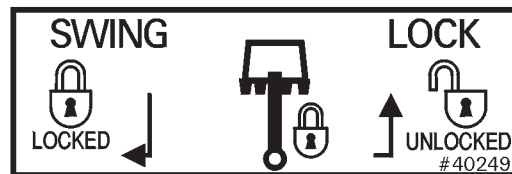
PART #40091
FLOAT DECAL



PART #4247
SWING SPEED CONTROL DECAL



PART #40219
BOOM LOCK DECAL



PART #40249
SWING LOCK DECAL

IMPORTANT

The backhoe bucket is capable of contacting this stabilizer and/or cylinder. Careful operation will avoid backhoe damage.

#4140

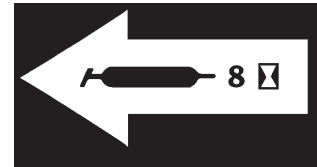
PART #4140
BUCKET CONTACT WARNING DECAL



PART #4338
MADE IN U.S.A. DECAL



PART #40440
CALL BEFORE YOU DIG



PART #4084
GREASE 8 HOURS

! CAUTION

BACKHOE AND THREE POINT LIMITATIONS
For Use On Compact Tractors:
25 - 50 Horsepower.
800 - 3800 Rated Hitch Lift Capacity.
Up To 5000 Lbs. GVW.

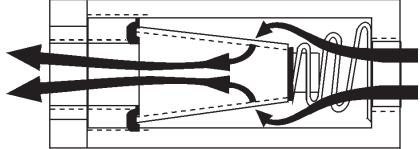
Mounting This Backhoe On Larger Tractors May Result In Serious Damage To The Backhoe And Void Warranties.

Sustained Heavy Use Of Backhoe May Result In Damage To The Tractor.
 #40380

PART #40380
 CAUTION! BACKHOE LIMITATIONS

SERVICE INFORMATION #4271

THIS IS AN INLINE 90 MICRON SINTERED BRONZE FILTER. IF PLUGGED OR PARTIALLY FILLED IT WILL REDUCE BACKHOE PERFORMANCE. REMOVE AND WASH OUT REGULARLY. REPLACE ELEMENT #45133 IF DIFFICULT TO BLOW THROUGH AFTER WASHING. SEE FULL INSTRUCTIONS IN OWNERS MANUAL.



PART #4271
 INLINE FILTER DECAL

IMPORTANT NOTICE REGARDING 3-POINT HITCH BACKHOES.

BRADCO MAKES NO CLAIMS OR WARRANTY, IMPLIED OR OTHERWISE, as to the compatibility or structural integrity of any tractors 3-point hitch assembly or components when used with any BRADCO 3-point hitch type backhoe. Since many models of tractors have standard category hitches and backhoes have standard category attaching points, it is possible to mount tractor or backhoe combinations that are not compatible.

DEALERS AND/OR OWNERS MUST DETERMINE THAT COMPATIBILITY BETWEEN THE TRACTOR AND BACKHOE EXISTS.

Compatibility includes, but is not limited to items such as operator clearance, hitch component strength, tractor case strength and hydraulics.

Suggestions given as to hitch categories and horsepower ranges used with various models of backhoes are suggestions only and not recommendations as to suitability of any combination of tractors and backhoes.

BRADCO also manufactures solid 4-point mounting kits for many models of tractors. These kits do NOT mount to the 3-point hitch. If in doubt about your hitch compatibility, solid 4-point mounting type kit and backhoe should be used.

#40410

PART #40410
 IMPORTANT NOTICE

BRADCO®

PART #40245
BRADCO LOGO

! WARNING

TO AVOID SERIOUS INJURY OR DEATH.

- Use **ONLY** on Category I tractors.
- Do not use 3-point quick attaching coupler to mount backhoe on tractor.
- Minimum of 20% of tractor and equipment weight must be on the tractor front wheels with the backhoe in the transport position.
- Operate PTO at 540 RPM (if so equipped).
- Backhoe digging forces can lift and turn tractor over. Make sure stabilizer pads are on firm ground and avoid steep banks.
- Do not exceed ROPS certification weight.
- Consult local utilities before digging. Know location of and avoid contacting all underground cables, pipelines, overhead wires and other hazards in digging area. #40411

3375

PART #40470
3375 MODEL NUMBER

PART #40411
WARNING!