



# OPERATOR'S AND PARTS MANUAL

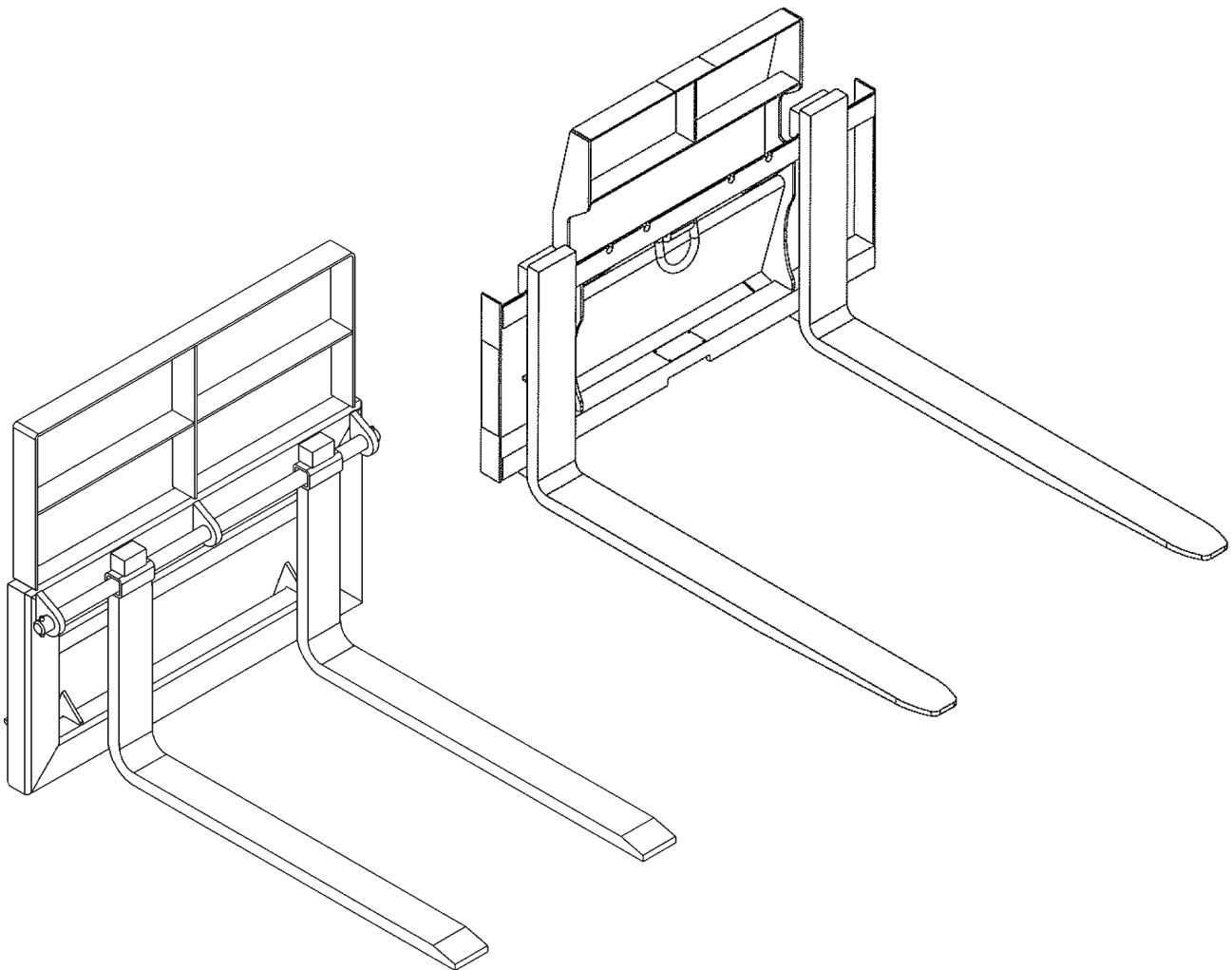
## PALLET FORKS



**PALADIN**  
LIGHT CONSTRUCTION GROUP



*The Power of Combined Excellence*



**SERIAL NUMBER:** \_\_\_\_\_

**MODEL NUMBER:** \_\_\_\_\_

**Manual Number: OM642**  
**Part Number: 75542**  
**Rev. 4**



# TABLE OF CONTENTS

- To The Owner
- Safety Precautions
- Pallet Fork Assemblies (Exploded View and Parts List)
- Specifications
- Decal Locations
- Installation and Operation
  - Attaching
  - Detaching
  - Storage
  - Operating Tips
- Limited Warranty

## TO THE OWNER

### GENERAL COMMENTS

Congratulations on the purchase of your new BRADCO product! This product was carefully designed and manufactured to give you years of dependable service. Only minor maintenance (such as cleaning and lubricating) is required to keep it in top working condition. Be sure to observe all safety precautions and maintenance procedures as described in this manual.

### ABOUT THIS MANUAL

This manual has been designed to help you do a better, safer job. Read this manual carefully and become familiar with it's contents. **Remember, never let anyone operate this unit without reading the "Safety Precautions" and "Operating Instructions" sections of this manual. (See Sections B and G respectively.)**

Unless noted otherwise, right and left sides are determined from the position of the operator when behind the product facing forward.

### SAFETY ALERT SYMBOL



This is the "Safety Alert Symbol" used by this industry. This symbol is used to warn of possible injury. Be sure to read all warnings carefully. They are included for your safety and for the safety of others working with your.

### SERVICE

When servicing your product remember to use only manufacturer replacement parts. Substitute parts may not meet the standards required for safe, dependable operation.

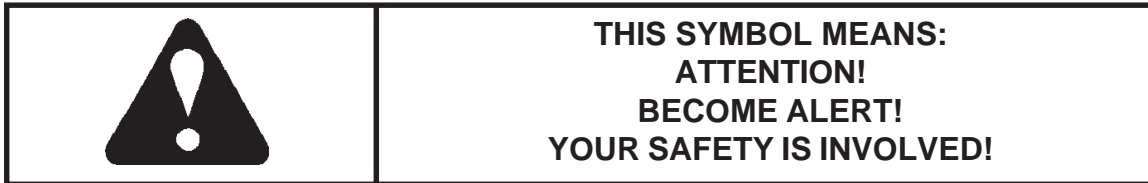
To facilitate parts ordering, record the model and serial number of your unit in the space provided on this page. This information may be obtained from the identification plate located on the product.

**MODEL** \_\_\_\_\_  
**SERIAL NUMBER** \_\_\_\_\_  
**DATE PURCHASED** \_\_\_\_\_

The parts department needs this information to insure that you receive the correct parts for your specific model.

# SAFETY PRECAUTIONS

TAKE NOTE! THIS SAFETY ALERT SYMBOL FOUND THROUGHOUT THIS MANUAL IS USED TO CALL YOUR ATTENTION TO INSTRUCTIONS INVOLVING YOUR PERSONAL SAFETY OR THE SAFETY OF OTHERS. FAILURE TO FOLLOW THESE INSTRUCTIONS CAN RESULT IN INJURY OR DEATH.




**SIGNAL WORDS:** Note the use of signal words DANGER, WARNING, and CAUTION with the safety messages. The appropriate signal word for each has been selected using the following guidelines:

**DANGER:** Indicates an imminently hazardous situation which, if not avoided, will result death or serious injury. This signal word is to be limited to the most extreme situations, **typically for machine components which, for functional purposes, cannot be guarded.**

**WARNING:** Indicates a potentially hazardous situation which, if not avoided, could result in death or serious injury, and **includes hazards that are exposed when guards are removed. It may also be used to alert against unsafe practices.**

**CAUTION:** Indicates a potentially hazardous situation which, if not avoided, **may result in minor or moderate injury. It may also be used to alert against unsafe practices.**

**A careful operator is the best operator.** Most accidents can be avoided by taking certain precautions. Read and understand these safety precautions before operating the vehicle.

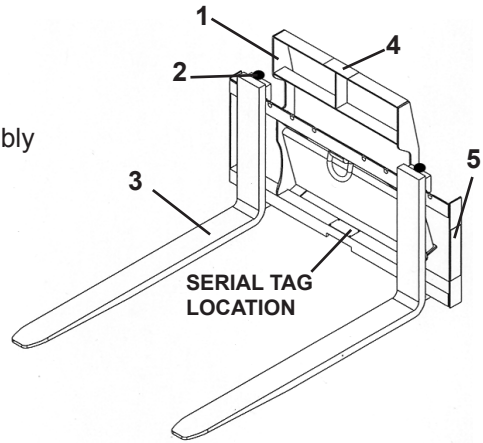
**WARNINGS!**  **Pinch points on the pallet fork can result in serious crushing injuries. Keep hands and feet away from pinch points of attachment. Keep shields in place and properly secured. Do not lift or carry people on the pallet fork. Falling off can result in injury or death. Do not work under a raised attachment. A falling attachment or load can crush.**

## OPERATION

1. **Never use your attachment for a work platform.**
2. **Specified lift capacities must not be exceeded.** Otherwise machine stability is not sufficient.
3. **Stop engine before leaving the operator's station.**
4. **Never operate the equipment while under the influence** of alcohol, or prescription drugs which could inhibit physical and/or mental capacity.
5. **Know your equipment inside and out.** Know how to operate all controls, and know emergency shutdown procedures.
6. **Always check locking mechanism** before operating any attachment.
7. **Never lift, move, or swing** loaded attachment over anyone.
8. **Always place the forks correctly for the load.** Make sure the forks are completely under the load before lifting. Position pallet as close as possible to the fork frame to maximize the lifting capacity.
9. **Never lift a load with one fork.**
10. **Secure loads properly.** Unsecured loads can fall unexpectedly. When transporting a load, keep the forks as close to the ground as possible.
11. **Slow down before turning.** Sharp turns on any terrain may cause loss of control.

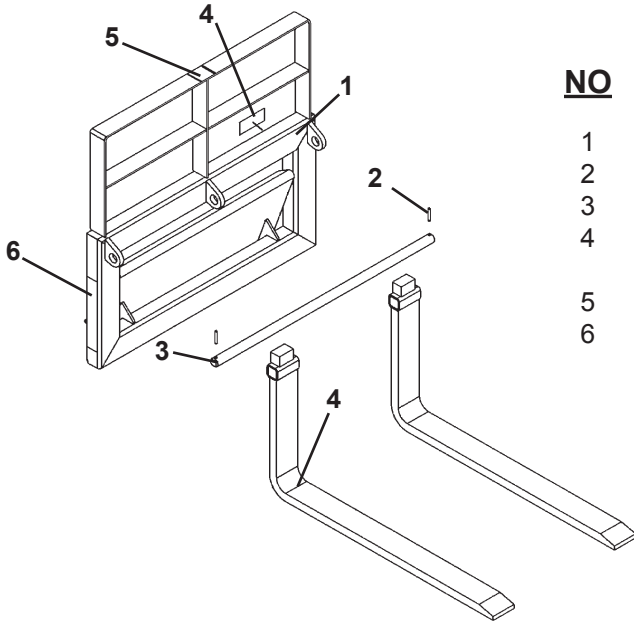
# PALLET FORK ASSEMBLIES

<u>NO</u>	<u>REQ'D</u>	<u>PART NO.</u>	<u>DESCRIPTION</u>
1	1	**	Class II Frame
2	~	102506	Replacement Lock Assembly (included with tines)
3	1	106218	36" Fork Tines (Pair)
	1	106220	42" Fork Tines (Pair)
	1	106222	48" Fork Tines (Pair)
4	1	4338	Made in USA Decal
5	2	40179	Logo



### SPECIFICATIONS:

Width 40.00"  
 Height 27.75"  
 Maximum Lift Capacity 2200#



<u>NO</u>	<u>REQ'D</u>	<u>PART NO.</u>	<u>DESCRIPTION</u>
1	1	**	Frame
2	2	31392	Roll Pin
3	1	2001340	Fork Pin
4	2	2001330	32" Fork Tines
	2	2005970	42" Fork Tines
5	1	4338	Made in USA Decal
6	2	40179	Logo

### SPECIFICATIONS:

Width 30.30"  
 Height 29.00"  
 Maximum Lift Capacity 900#

**\*\* Pallet Frames are specific to your loader application. Contact Factory or your local BRADCO dealer to order this item.**

**WARNING! DO NOT EXCEED THE LIFT CAPACITY OF EITHER THE LOADER OR THE TINES.**



**REPLACING DECALS:** Clean the area of application with nonflammable solvent, then wash the same area with soap and water. Allow the surface to fully dry. Remove the backing from the safety sign or decal, exposing the adhesive surface. Apply the safety sign or decal to the position shown in the diagram and smooth out any bubbles.

# INSTALLATION AND OPERATION

## **ATTACHING**

Your pallet fork was shipped complete with the appropriate mounting for your specific unit.

Install the pallet forks by following your power unit operator's manual for installing an attachment.

**WARNING!** To Avoid Serious Personal Injury make sure the attachment is securely latched to the attachment mechanism of your unit. Failure to do so could result in separation of the attachment from the unit.



## **DETACHING**

On firm level ground, lower the boom arms completely down on the frame until the attachment is level and approximately 2" off the ground.

Turn off the engine.

Follow your power unit operator's manual for detaching (removing) an attachment.

## **STORAGE**

1. Clean the unit thoroughly, removing all mud, dirt and grease.
2. Inspect for visible signs of wear, breakage or damage. Order any parts required and make the necessary repairs to avoid delays when starting next season.
3. Touch up all unpainted surfaces with paint to prevent rust.
4. Store the unit in a dry and protected place. Leaving the unit outside will materially shorten its life.

## **OPERATING TIPS**

- Position the pallet as close as possible to the fork frame to maximize lifting capability.
- When transporting a load, keep the forks as close to the ground as possible.
- Be observant of operating area and terrain. Watch for holes, rocks, or other hidden hazards. Always inspect area prior to operation.
- Do not operate near edge of drop-off or banks.
- Do not operate on steep slopes as overturn may result.
- Operate up and down intermediate slopes (not across).
- Avoid sudden starts and stops.
- Do not walk or work under a raised attachment unless securely supported.
- Keep all bystanders, pets and livestock clear of work area.
- Never leave the operator's station with equipment running.

# Limited Warranty

Except for the Excluded Products as described below, all new products are warranted to be free from defects in material and/or workmanship during the Warranty Period, in accordance with and subject to the terms and conditions of this Limited Warranty.

1. Excluded Products. The following products are excluded from this Limited Warranty:

(a) Any cable, part that engages with the ground (i.e. sprockets), digging chain, bearing, teeth, tamping and/or demolition head, blade cutting edge, pilot bit, auger teeth and broom brush that either constitutes or is part of a product.

(b) Any product, merchandise or component that, in the opinion of Paladin Light Construction<sup>1</sup>, has been (i) misused; (ii) modified in any unauthorized manner; (iii) altered; (iv) damaged; (v) involved in an accident; or (vi) repaired using parts not obtained through Paladin Light Construction.

2. Warranty Period. The Limited Warranty is provided only to those defects that occur during the Warranty Period, which is the period that begins on the first to occur of: (i) the date of initial purchase by an end-user, (ii) the date the product is first leased or rented, or (iii) the date that is six (6) months after the date of shipment by Paladin Light Construction as evidenced by the invoiced shipment date (the "Commencement Date") and ends on the date that is twelve (12) months after the Commencement Date.

3. Terms and Conditions of Limited Warranty. The following terms and conditions apply to the Limited Warranty hereby provided:

(a) Option to Repair or Replace. Paladin Light Construction shall have the option to repair or replace the product.

(b) Timely Repair and Notice. In order to obtain the Limited Warranty, (i) the product must be repaired within thirty (30) days from the date of failure, and (ii) a claim under the warranty must be submitted to Paladin Light Construction in writing within thirty (30) days from the date of repair.

(c) Return of Defective Part or Product. If requested by Paladin Light Construction, the alleged defective part or product shall be shipped to Paladin Light Construction at its manufacturing facility or other location specified by Paladin Light Construction, with freight PRE-PAID by the claimant, to allow Paladin Light Construction to inspect the part or product.

Claims that fail to comply with any of the above terms and conditions shall be denied.

## **LIMITATIONS AND EXCLUSIONS.**

**THIS LIMITED WARRANTY IS IN LIEU OF ALL OTHER WARRANTIES, EXPRESS OR IMPLIED, INCLUDING WITHOUT LIMITATION THE WARRANTIES OF MERCHANTABILITY, FITNESS FOR A PARTICULAR PURPOSE AND ANY WARRANTY BASED ON A COURSE OF DEALING OR USAGE OF TRADE.**

**IN NO EVENT SHALL PALADIN LIGHT CONSTRUCTION BE LIABLE FOR CONSEQUENTIAL OR SPECIAL DAMAGES.**

**IN NO EVENT SHALL PALADIN LIGHT CONSTRUCTION BE LIABLE FOR ANY LOSS OR CLAIM IN AN AMOUNT IN EXCESS OF THE PURCHASE PRICE, OR, AT THE OPTION OF PALADIN LIGHT CONSTRUCTION, THE REPAIR OR REPLACEMENT, OF THE PARTICULAR PRODUCT ON WHICH ANY CLAIM OF LOSS OR DAMAGE IS BASED. THIS LIMITATION OF LIABILITY APPLIES IRRESPECTIVE OF WHETHER THE CLAIM IS BASED ON BREACH OF CONTRACT, BREACH OF WARRANTY, NEGLIGENCE OR OTHER CAUSE AND WHETHER THE ALLEGED DEFECT IS DISCOVERABLE OR LATENT.**

<sup>1</sup>Attachment Technologies Inc., a subsidiary of Paladin Brands Holding, Inc. (PBHI) is referred to herein as Paladin Light Construction.