

Brush Cutter, Ground Shark, Standard Duty

Brush Cutter, Ground Shark, Standard Duty

Contents

15-25 GPM Brush Cutters

| | |
|---|----|
| 15-25 GPM 60" Standard Duty Brush Cutter | 1 |
| 15-25 GPM 60" Standard Duty Brush Cutter Hydraulics | 3 |
| 15-25 GPM 72" Standard Duty Brush Cutter | 5 |
| 15-25 GPM 72" Standard Duty Brush Cutter Hydraulics | 7 |
| 15-25 GPM 78" Standard Duty Brush Cutter | 9 |
| 15-25 GPM 78" Standard Duty Brush Cutter Hydraulics | 11 |

26-32 GPM Brush Cutters

| | |
|---|----|
| 26-32 GPM 72" Standard Duty Brush Cutter | 13 |
| 26-32 GPM 78" Standard Duty Brush Cutter | 15 |
| 26-32 GPM Standard Duty Brush Cutter Hydraulics | 17 |

33-40 GPM Brush Cutters

| | |
|---|----|
| 33-40 GPM 72" Standard Duty Brush Cutter | 19 |
| 33-40 GPM 78" Standard Duty Brush Cutter | 21 |
| 33-40 GPM Standard Duty Brush Cutter Hydraulics | 23 |

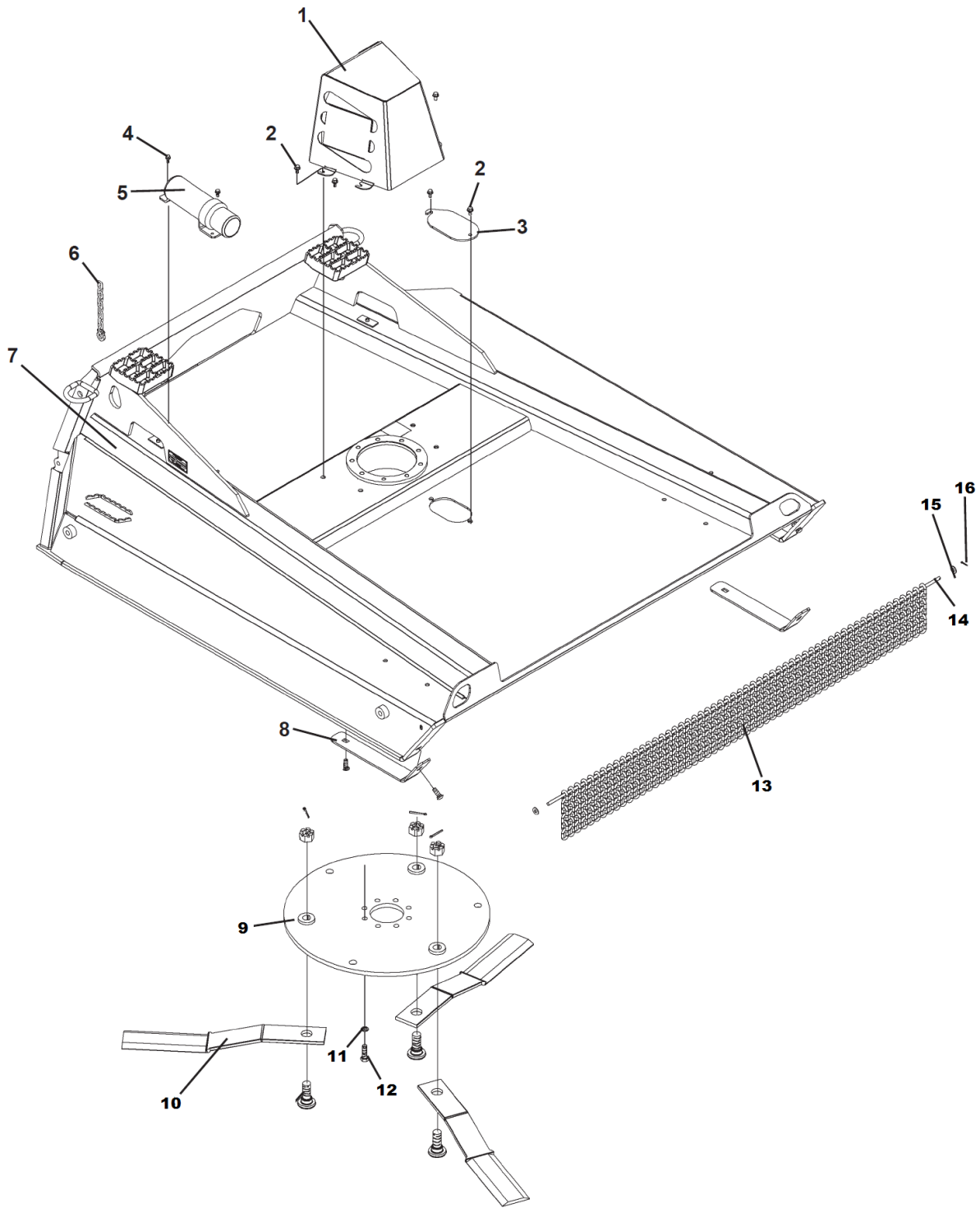
Options & Kits

| | |
|---|----|
| 15-32 GPM Pressure Gauge Assembly | 27 |
| 33-40 GPM Pressure Gauge Assembly | 29 |
| 118330 Replacement Blade Kit - 60" Cutter | 31 |
| 118331 Replacement Blade Kit - 72" Cutter | 33 |
| 118332 Replacement Blade Kit - 78" Cutter | 35 |
| 117810 Replacement Skid Shoe Kit | 37 |
| 118333 Dual Wheel Assembly | 39 |
| 119419 Hose Extension Kit | 41 |

Replacement Decals

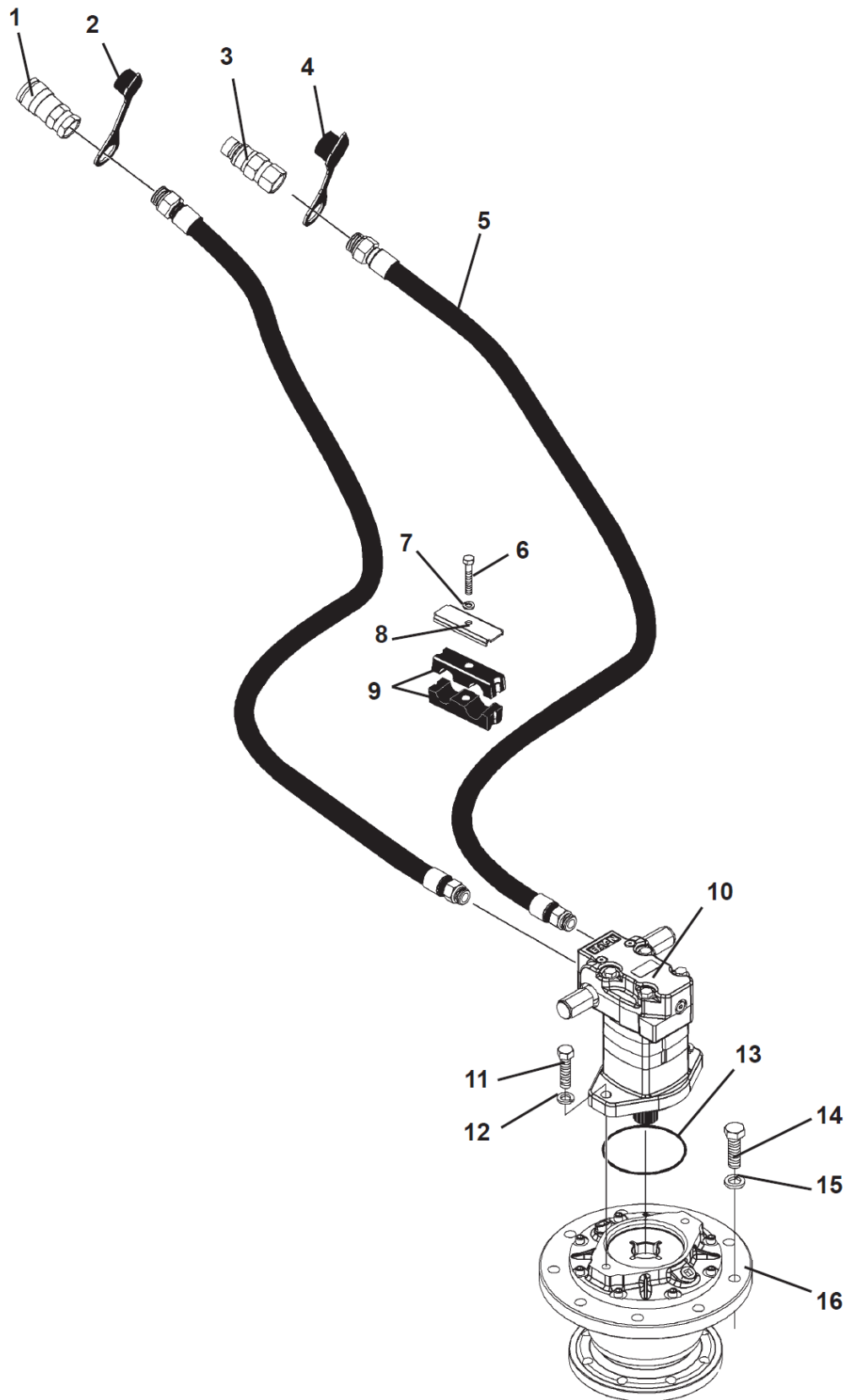
| | |
|-----------------------------------|----|
| Verbiage Decals - PM834 | 43 |
| Non-Verbiage Decals - PM834 | 45 |

15-25 GPM Brush Cutters



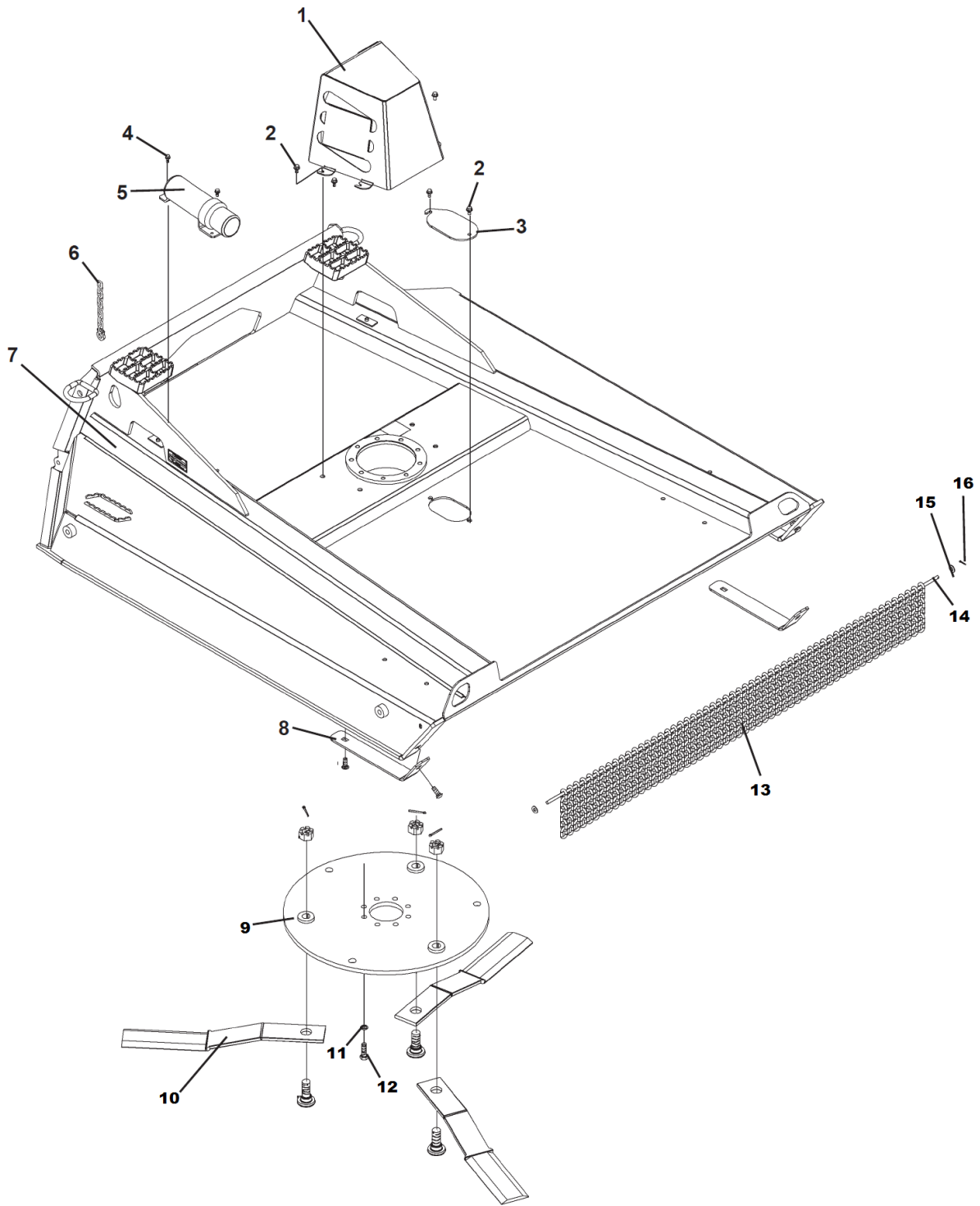
| Item | Qty | Part No. | Name | Additional Info |
|------|-----|----------|--|-----------------|
| 1 | 1 | 118930 | CUTTER HOOD REPLACEMENT W/DECALS | |
| 2 | 6 | 1953 | SCREW HFH 0.38-16 X 0.75 GR5 PLD | |
| 3 | 1 | 15321 | PLATE,IRG, .25X4.50X9.00 | |
| 4 | 2 | 1930 | SCREW HFH .31-18 X 0.75 GR5 PLD | |
| 5 | 1 | 25453 | STORAGE TUBE, MANUALS | |
| 6 | 1 | 18169 | CHAIN,.38X72.5,PLATED GR 70 | |
| 6 | 2 | 89968 | SHACKLE,.38 STRAIGHT | |
| 7 | 1 | 117769 | 60" Cutter Deck | |
| 8 | 1 | 117810 | Replacement Skid Shoe Kit | |
| 9 | 1 | 117719 | WMT BLADE CARRIER 28"DIA DD | |
| 10 | 1 | 118330 | BLADE SET 3 QTY,60" CUTTER,DOUBLE EDG | |
| 11 | 8 | 10200 | .62" Nord-Lock Washer | |
| 12 | 8 | 1895 | SCREW HHC 0.62-11 X 2.00 GR8 PLD | |
| 13 | 46 | 15326 | CHAIN,.31X8.25,PLD | |
| 14 | 1 | 17902 | RETAINER WMT,CHAIN | |
| 15 | 1 | 1514 | WASHER FL .38 USS PLD | |
| 16 | 1 | 1611 | PIN CTRR .12X1.00 | |

15-25 GPM Brush Cutters



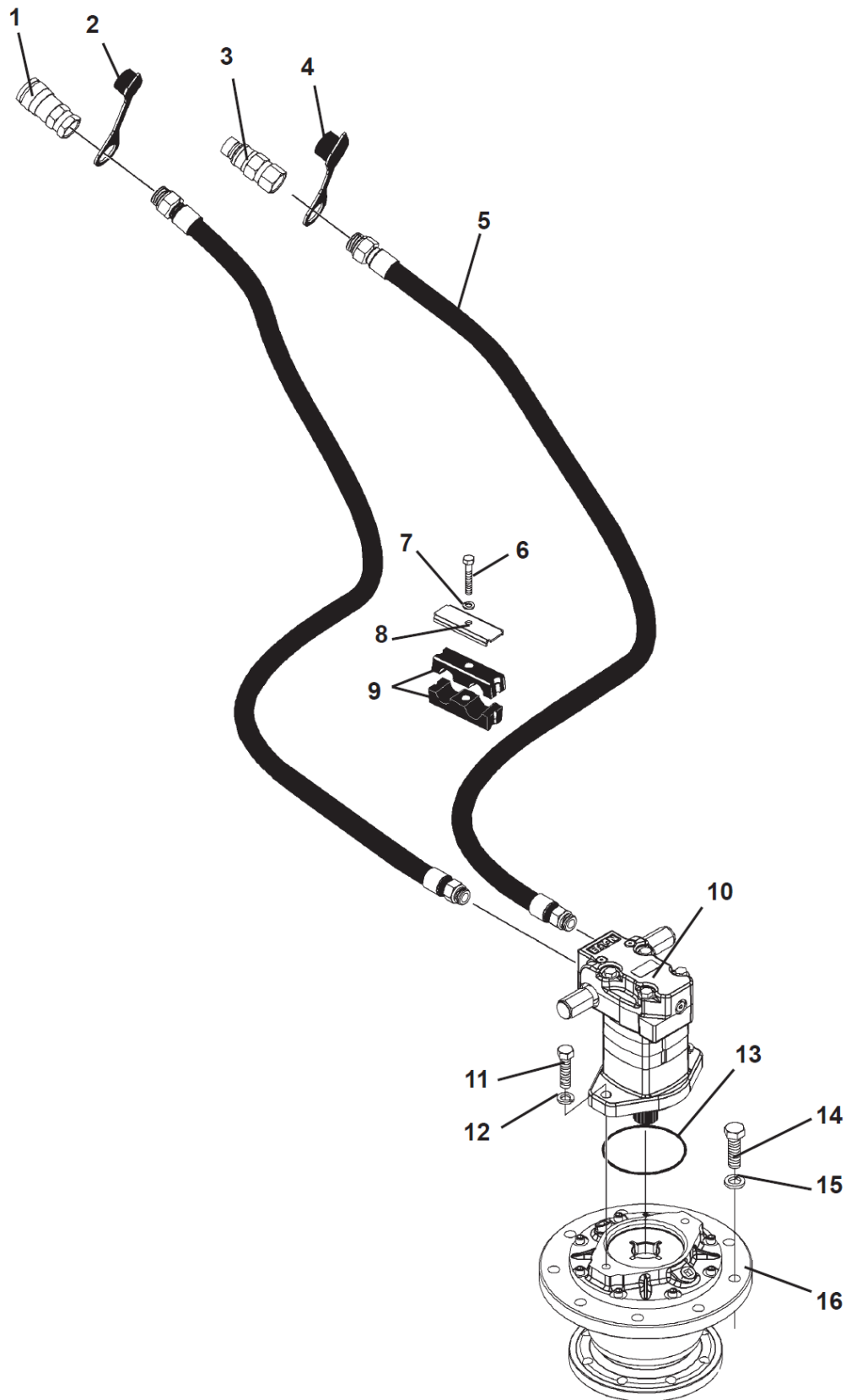
| Item | Qty | Part No. | Name | Additional Info |
|------|-----|----------|---|-----------------|
| 1 | - | VARIES | Item Varies Per Prime Mover | |
| 1 | 1 | 22518 | QD 8 FF F 12FB | |
| 1 | 1 | 84921 | QD 10 FF F 12FB | |
| 1 | 1 | 22520 | QD 12 FF F 12FB | |
| 2 | - | VARIES | Item Varies Per Prime Mover | |
| 2 | 1 | 17922 | CAP DUST 8 FFF ISO BODY | |
| 2 | 1 | 114892 | CAP,DUST,FEMALE .63FF ISO BODY | |
| 2 | 1 | 113865 | Dust Cap (.75" Body Coupler) | |
| 3 | - | VARIES | Item Varies Per Prime Mover | |
| 3 | 1 | 22519 | QD 8 FF M 12FB | |
| 3 | 1 | 84922 | QD 10 FF M 12FB | |
| 3 | 1 | 22521 | QD 12 FF M 12FB | |
| 4 | - | VARIES | Item Varies Per Prime Mover | |
| 4 | 1 | 17921 | CAP DUST 8 MFF ISO BODY | |
| 4 | 1 | 114891 | CAP,DUST,MALE .63 FF ISO BODY | |
| 4 | 1 | 113864 | Dust Cap (.75" Body Coupler) | |
| 5 | 2 | 38126 | HOSE .62x97 10MB-12MB HS | |
| 6 | 1 | 1026 | SCREW HHC 0.31-18 x 2 GR5 PLD | |
| 7 | 1 | 1502 | WASHER LOCK SPLIT .31 PLD | |
| 8 | 1 | 22315 | HOSE PLATE, #542000000100 | |
| 9 | 1 | 22316 | 1" HOSE CUSHION, #542100000000 | |
| 10 | 1 | 117733 | MOTOR 2K 5.5 CID 1.25 14T 2BOLT-B | |
| 10.1 | 2 | 46234 | SEAL KIT,CARTRIDGE RELIEF VALVE | |
| 10.1 | 2 | 46233 | RELIEF VALVE, CROSSOVER, 2500 PSI | |
| 10.1 | 1 | 117879 | SEAL KIT,MOTOR,EATON 2K,HIGH PRESSURE | |
| 11 | 2 | 1781 | SCREW HHC 0.50-13 X 2.00 GR8 PLD | |
| 12 | 2 | 1505 | WASHER LOCK SPLIT .50 PLD | |
| 13 | 1 | 45125 | O-RING 155 | |
| 14 | 9 | 1895 | SCREW HHC 0.62-11 X 2.00 GR8 PLD | |
| 15 | 9 | 1506 | WASHER LOCK SPLIT .62 PLD | |
| 16 | 1 | 117610 | BEARING HOUSING AUBURN #6 2BOLT B-MOUNT | |

15-25 GPM Brush Cutters



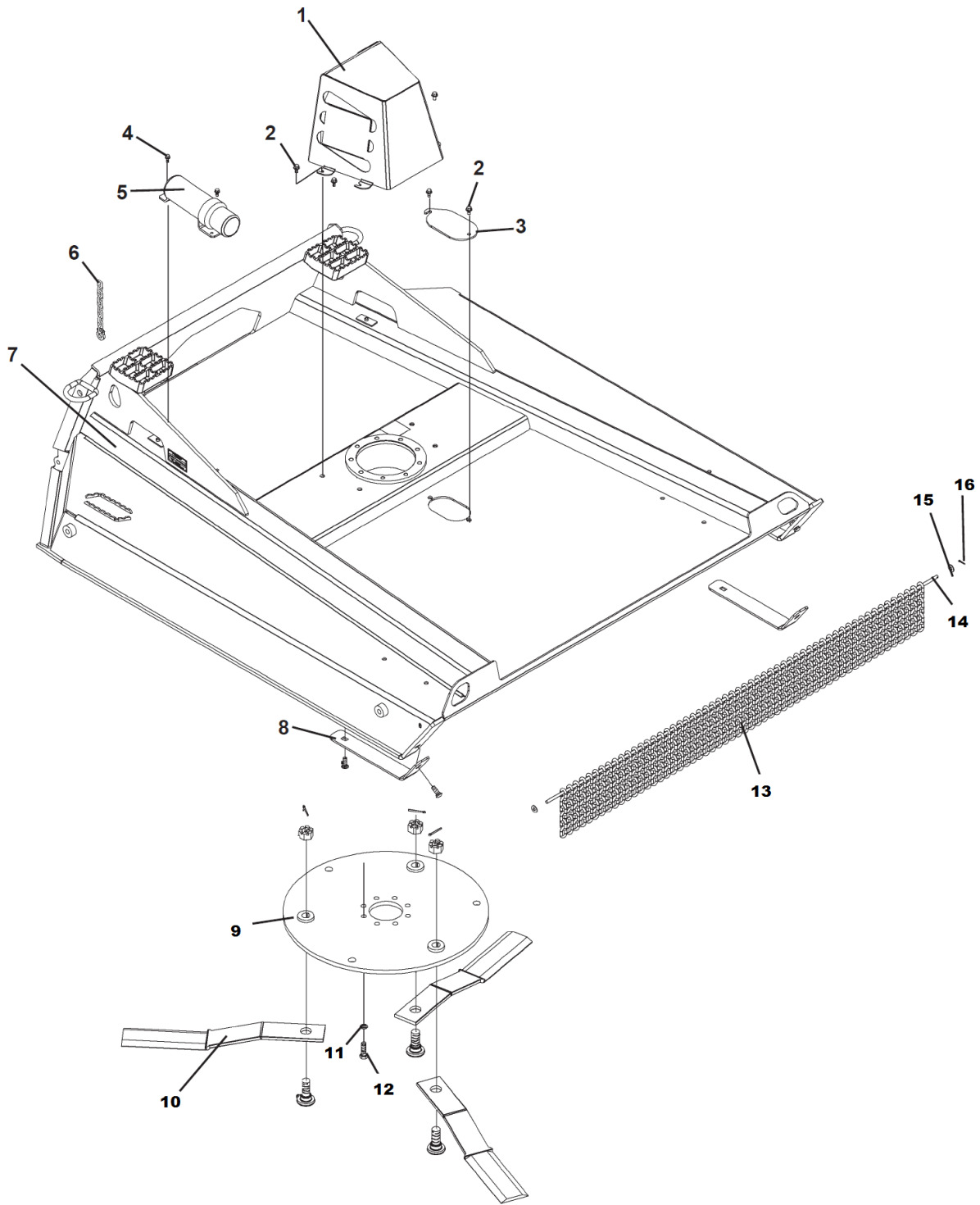
| Item | Qty | Part No. | Name | Additional Info |
|------|-----|----------|--|-----------------|
| 1 | 1 | 118930 | CUTTER HOOD REPLACEMENT W/DECALS | |
| 2 | 6 | 1953 | SCREW HFH 0.38-16 X 0.75 GR5 PLD | |
| 3 | 1 | 15321 | PLATE,IRG,.25X4.50X9.00 | |
| 4 | 2 | 1930 | SCREW HFH .31-18 X 0.75 GR5 PLD | |
| 5 | 1 | 25453 | STORAGE TUBE, MANUALS | |
| 6 | 1 | 18169 | CHAIN,.38X72.5,PLATED GR 70 | |
| 6 | 2 | 89968 | SHACKLE,.38 STRAIGHT | |
| 7 | 1 | 117720 | 72" Cutter Deck | |
| 8 | 1 | 117810 | Replacement Skid Shoe Kit | |
| 9 | 1 | 117719 | WMT BLADE CARRIER 28"DIA DD | |
| 10 | 1 | 118331 | BLADE SET 3 QTY,72" CUTTER,DOUBLE EDG | |
| 11 | 8 | 10200 | .62" Nord-Lock Washer | |
| 12 | 8 | 1895 | SCREW HHC 0.62-11 X 2.00 GR8 PLD | |
| 13 | 56 | 15326 | CHAIN,.31X8.25,PLD | |
| 14 | 1 | 17348 | CHAIN RETAINER WMT,72" CUTTER | |
| 15 | 1 | 1514 | WASHER FL .38 USS PLD | |
| 16 | 1 | 1611 | PIN CTRR .12X1.00 | |

15-25 GPM Brush Cutters



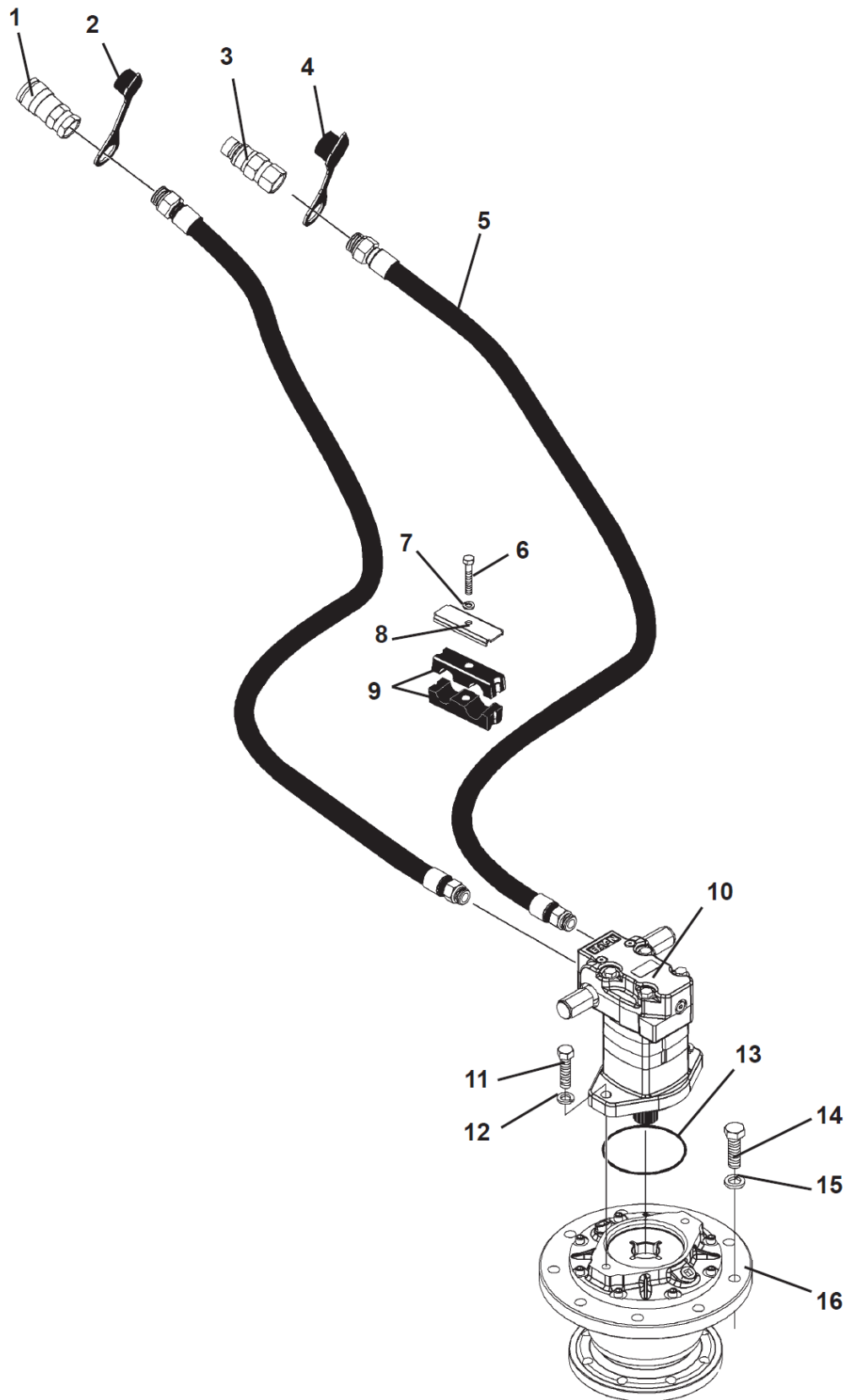
| Item | Qty | Part No. | Name | Additional Info |
|------|-----|----------|---|-----------------|
| 1 | - | VARIES | Item Varies Per Prime Mover. | |
| 1 | 1 | 22518 | QD 8 FF F 12FB | |
| 1 | 1 | 84921 | QD 10 FF F 12FB | |
| 1 | 1 | 22520 | QD 12 FF F 12FB | |
| 2 | - | VARIES | Item Varies Per Prime Mover. | |
| 2 | 1 | 17922 | CAP DUST 8 FFF ISO BODY | |
| 2 | 1 | 114892 | CAP,DUST,FEMALE .63FF ISO BODY | |
| 2 | 1 | 113865 | Dust Cap (.75" Body Coupler) | |
| 3 | - | VARIES | Item Varies Per Prime Mover. | |
| 3 | 1 | 22519 | QD 8 FF M 12FB | |
| 3 | 1 | 84922 | QD 10 FF M 12FB | |
| 3 | 1 | 22521 | QD 12 FF M 12FB | |
| 4 | - | VARIES | Item Varies Per Prime Mover. | |
| 4 | 1 | 17921 | CAP DUST 8 MFF ISO BODY | |
| 4 | 1 | 114891 | CAP,DUST,MALE .63 FF ISO BODY | |
| 4 | 1 | 113864 | Dust Cap (.75" Body Coupler) | |
| 5 | 2 | 38126 | HOSE .62x97 10MB-12MB HS | |
| 6 | 1 | 1026 | SCREW HHC 0.31-18 x 2 GR5 PLD | |
| 7 | 1 | 1502 | WASHER LOCK SPLIT .31 PLD | |
| 8 | 1 | 22315 | HOSE PLATE, #542000000100 | |
| 9 | 1 | 22316 | 1" HOSE CUSHION, #542100000000 | |
| 10 | 1 | 117657 | MOTOR 2K 6.2 CID 1.25 14T 2BOLT-B | |
| 10.1 | 2 | 46234 | SEAL KIT,CARTRIDGE RELIEF VALVE | |
| 10.1 | 2 | 46233 | RELIEF VALVE, CROSSOVER, 2500 PSI | |
| 10.1 | 1 | 117879 | SEAL KIT,MOTOR,EATON 2K,HIGH PRESSURE | |
| 11 | 2 | 1781 | SCREW HHC 0.50-13 X 2.00 GR8 PLD | |
| 12 | 2 | 1505 | WASHER LOCK SPLIT .50 PLD | |
| 13 | 1 | 45125 | O-RING 155 | |
| 14 | 9 | 1895 | SCREW HHC 0.62-11 X 2.00 GR8 PLD | |
| 15 | 9 | 1506 | WASHER LOCK SPLIT .62 PLD | |
| 16 | 1 | 117610 | BEARING HOUSING AUBURN #6 2BOLT B-MOUNT | |

15-25 GPM Brush Cutters



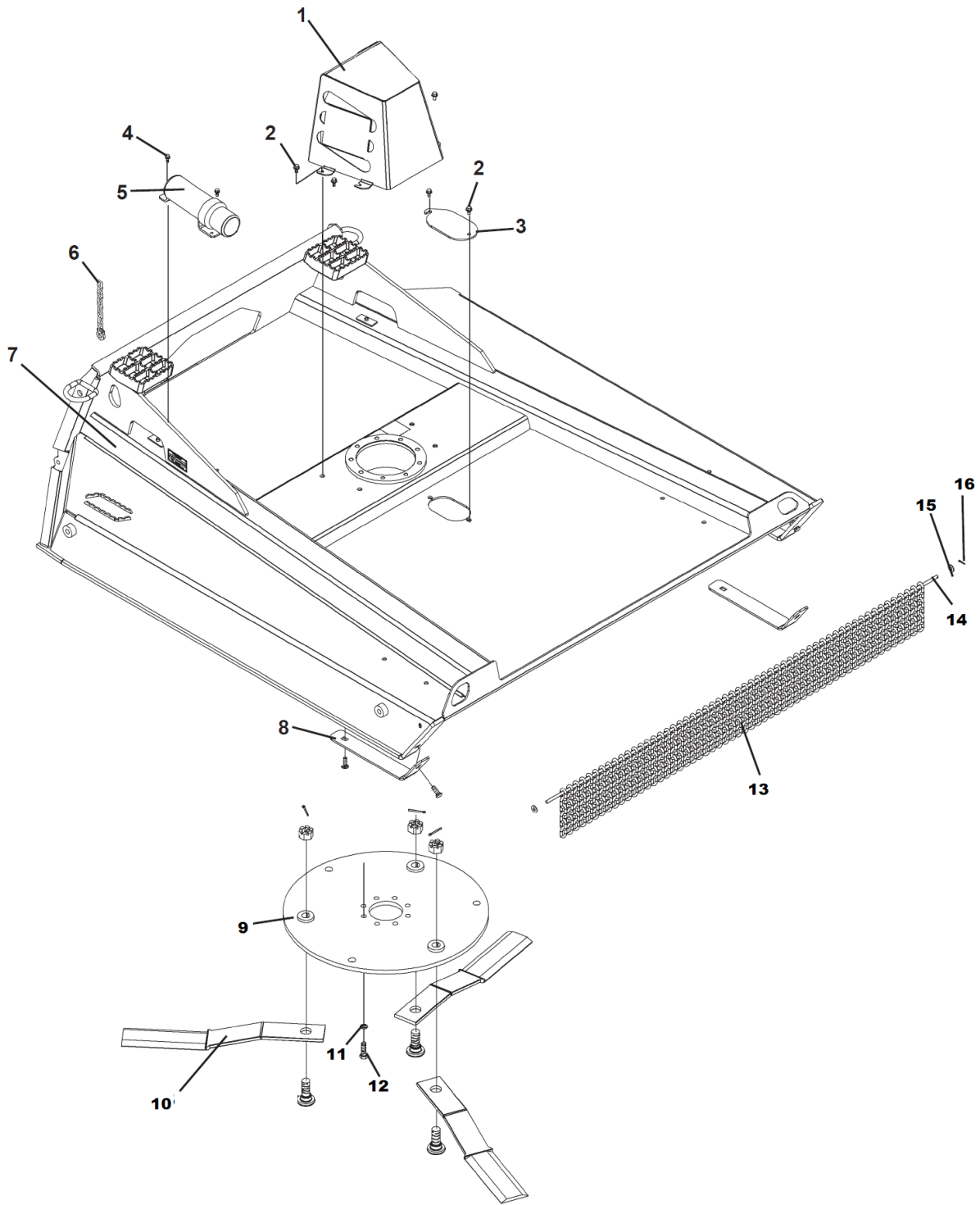
| Item | Qty | Part No. | Name | Additional Info |
|------|-----|----------|--|-----------------|
| 1 | 1 | 118930 | CUTTER HOOD REPLACEMENT W/DECALS | |
| 2 | 6 | 1953 | SCREW HFH 0.38-16 X 0.75 GR5 PLD | |
| 3 | 1 | 15321 | PLATE,IRG, .25X4.50X9.00 | |
| 4 | 2 | 1930 | SCREW HFH .31-18 X 0.75 GR5 PLD | |
| 5 | 1 | 25453 | STORAGE TUBE, MANUALS | |
| 6 | 1 | 18169 | CHAIN,.38X72.5,PLATED GR 70 | |
| 6 | 2 | 89968 | SHACKLE,.38 STRAIGHT | |
| 7 | 1 | 117580 | 78" Cutter Deck | |
| 8 | 1 | 117810 | Replacement Skid Shoe Kit | |
| 9 | 1 | 117719 | WMT BLADE CARRIER 28"DIA DD | |
| 10 | 1 | 118332 | BLADE SET 3 QTY,78" CUTTER,DOUBLE EDG | |
| 11 | 8 | 10200 | .62" Nord-Lock Washer | |
| 12 | 8 | 1895 | SCREW HHC 0.62-11 X 2.00 GR8 PLD | |
| 13 | 60 | 15326 | CHAIN,.31X8.25,PLD | |
| 14 | 1 | 106342 | CHAIN RETAINER WMT,78" BRUSH CUTTER | |
| 15 | 1 | 1514 | WASHER FL .38 USS PLD | |
| 16 | 1 | 1611 | PIN CTRR .12X1.00 | |

15-25 GPM Brush Cutters



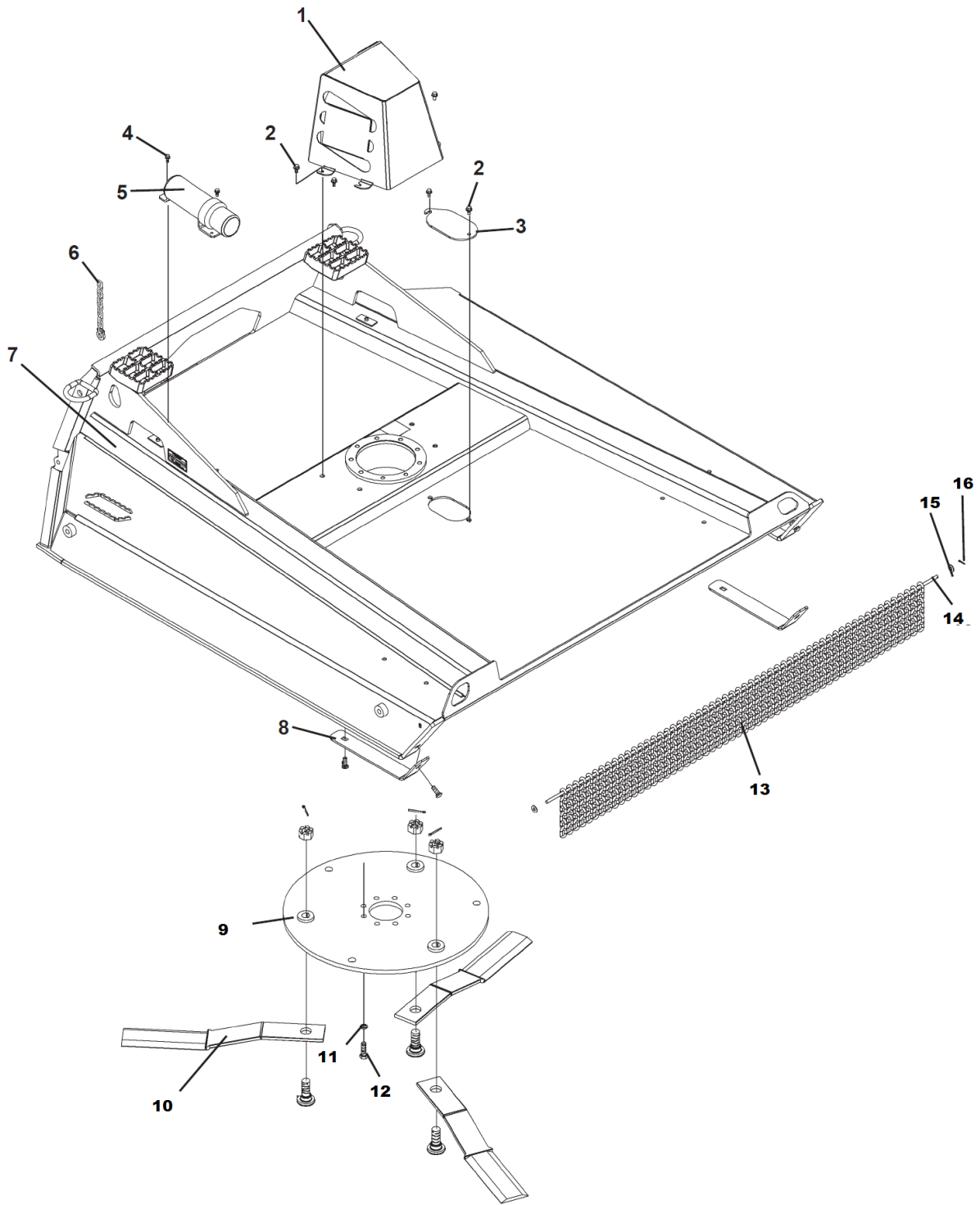
| Item | Qty | Part No. | Name | Additional Info |
|------|-----|----------|---|-----------------|
| 1 | | VARIES | Item Varies Per Prime Mover. | |
| 1 | 1 | 22518 | QD 8 FF F 12FB | |
| 1 | 1 | 84921 | QD 10 FF F 12FB | |
| 1 | 1 | 22520 | QD 12 FF F 12FB | |
| 2 | | VARIES | Item Varies Per Prime Mover. | |
| 2 | 1 | 17922 | CAP DUST 8 FFF ISO BODY | |
| 2 | 1 | 114892 | CAP,DUST,FEMALE .63FF ISO BODY | |
| 2 | 1 | 113865 | Dust Cap (.75" Body Coupler) | |
| 3 | | VARIES | Item Varies Per Prime Mover. | |
| 3 | 1 | 22519 | QD 8 FF M 12FB | |
| 3 | 1 | 84922 | QD 10 FF M 12FB | |
| 3 | 1 | 22521 | QD 12 FF M 12FB | |
| 4 | | VARIES | Item Varies Per Prime Mover. | |
| 4 | 1 | 17921 | CAP DUST 8 MFF ISO BODY | |
| 4 | 1 | 114891 | CAP,DUST,MALE .63 FF ISO BODY | |
| 4 | 1 | 113864 | Dust Cap (.75" Body Coupler) | |
| 5 | 2 | 38126 | HOSE .62x97 10MB-12MB HS | |
| 6 | 1 | 1026 | SCREW HHC 0.31-18 x 2 GR5 PLD | |
| 7 | 1 | 1502 | WASHER LOCK SPLIT .31 PLD | |
| 8 | 1 | 22315 | HOSE PLATE, #542000000100 | |
| 9 | 1 | 22316 | 1" HOSE CUSHION, #542100000000 | |
| 10 | 1 | 117657 | MOTOR 2K 6.2 CID 1.25 14T 2BOLT-B | |
| 10.1 | 2 | 46234 | SEAL KIT,CARTRIDGE RELIEF VALVE | |
| 10.1 | 2 | 46233 | RELIEF VALVE, CROSSOVER, 2500 PSI | |
| 10.1 | 1 | 117879 | SEAL KIT,MOTOR,EATON 2K,HIGH PRESSURE | |
| 11 | 2 | 1781 | SCREW HHC 0.50-13 X 2.00 GR8 PLD | |
| 12 | 2 | 1505 | WASHER LOCK SPLIT .50 PLD | |
| 13 | 1 | 45125 | O-RING 155 | |
| 14 | 9 | 1895 | SCREW HHC 0.62-11 X 2.00 GR8 PLD | |
| 15 | 9 | 1506 | WASHER LOCK SPLIT .62 PLD | |
| 16 | 1 | 117610 | BEARING HOUSING AUBURN #6 2BOLT B-MOUNT | |

26-32 GPM Brush Cutters



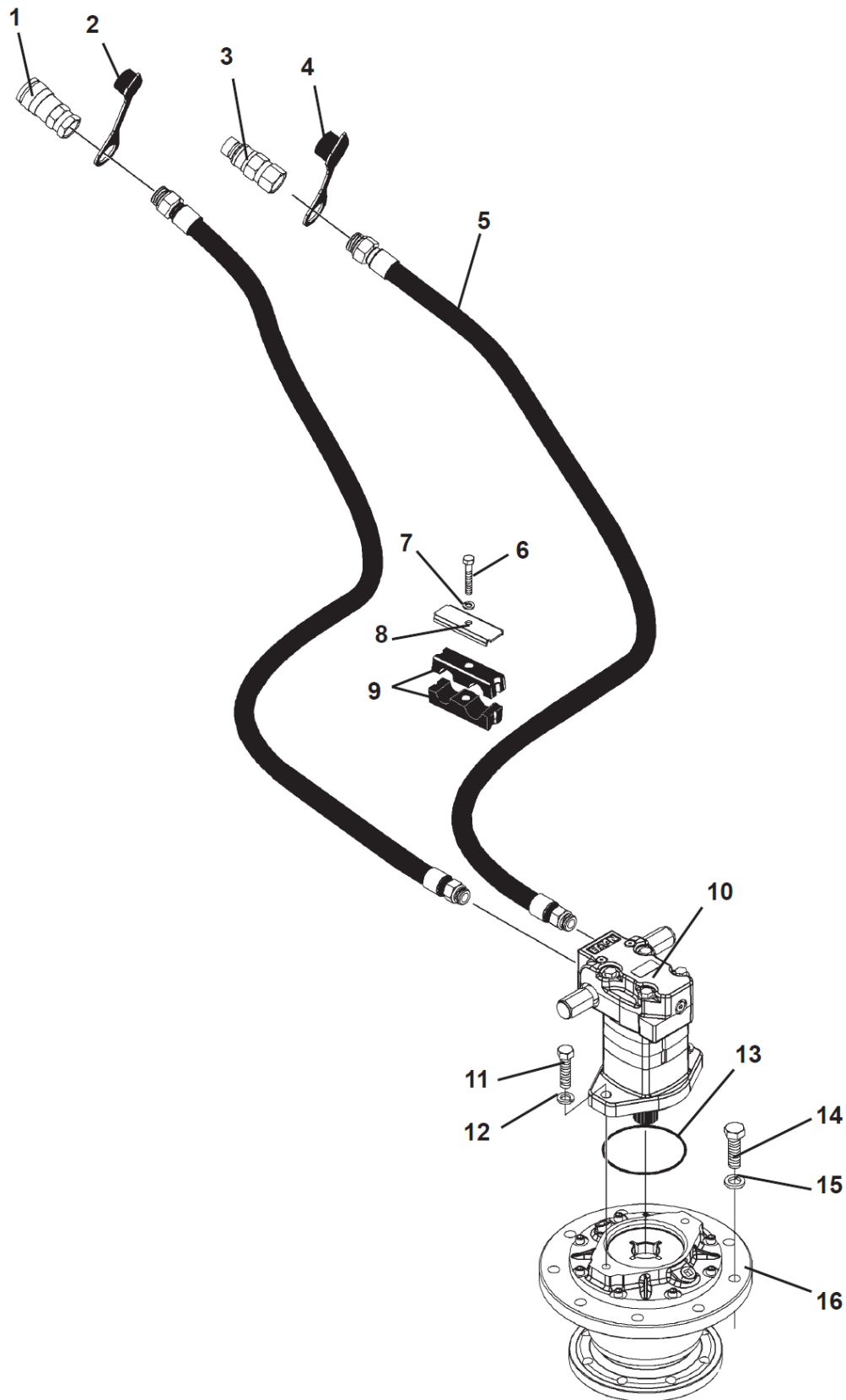
| Item | Qty | Part No. | Name | Additional Info |
|------|-----|----------|--|-----------------|
| 1 | 1 | 118930 | CUTTER HOOD REPLACEMENT W/DECALS | |
| 2 | 6 | 1953 | SCREW HFH 0.38-16 X 0.75 GR5 PLD | |
| 3 | 1 | 15321 | PLATE,IRG,.25X4.50X9.00 | |
| 4 | 2 | 1930 | SCREW HFH .31-18 X 0.75 GR5 PLD | |
| 5 | 1 | 25453 | STORAGE TUBE, MANUALS | |
| 6 | 1 | 18169 | CHAIN,.38X72.5,PLATED GR 70 | |
| 6 | 2 | 89968 | SHACKLE,.38 STRAIGHT | |
| 7 | 1 | 117720 | 72" Cutter Deck | |
| 8 | 1 | 117810 | Replacement Skid Shoe Kit | |
| 9 | 1 | 117719 | WMT BLADE CARRIER 28"DIA DD | |
| 10 | 1 | 118331 | BLADE SET 3 QTY,72" CUTTER,DOUBLE EDG | |
| 11 | 8 | 10200 | .62" Nord-Lock Washer | |
| 12 | 8 | 1895 | SCREW HHC 0.62-11 X 2.00 GR8 PLD | |
| 13 | 56 | 15326 | CHAIN,.31X8.25,PLD | |
| 14 | 1 | 17348 | CHAIN RETAINER WMT,72" CUTTER | |
| 15 | 1 | 1514 | WASHER FL .38 USS PLD | |
| 16 | 1 | 1611 | PIN CTRR .12X1.00 | |

26-32 GPM Brush Cutters



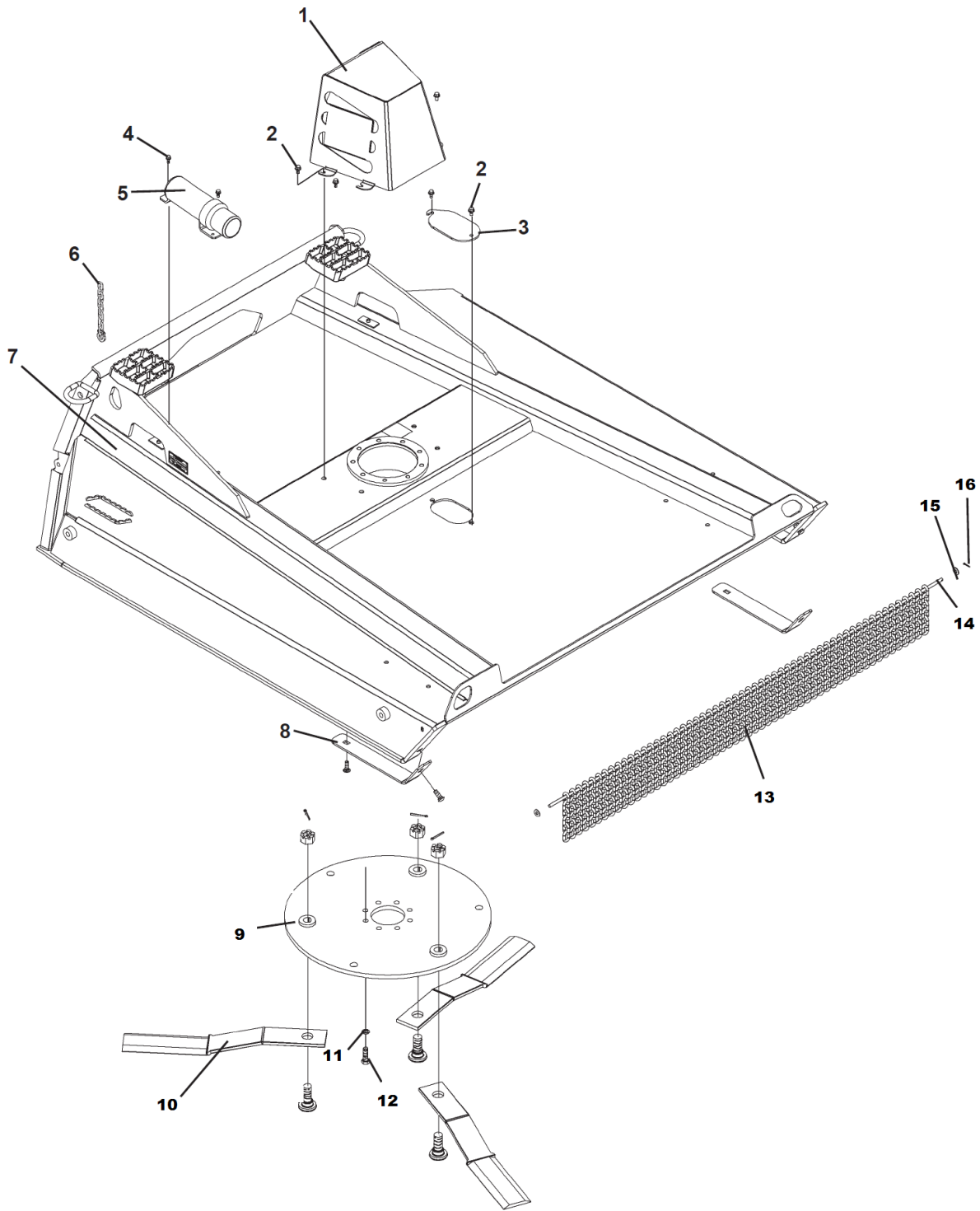
| Item | Qty | Part No. | Name | Additional Info |
|------|-----|----------|--|-----------------|
| 1 | 1 | 118930 | CUTTER HOOD REPLACEMENT W/DECALS | |
| 2 | 6 | 1953 | SCREW HFH 0.38-16 X 0.75 GR5 PLD | |
| 3 | 1 | 15321 | PLATE,IRG, .25X4.50X9.00 | |
| 4 | 2 | 1930 | SCREW HFH .31-18 X 0.75 GR5 PLD | |
| 5 | 1 | 25453 | STORAGE TUBE, MANUALS | |
| 6 | 1 | 18169 | CHAIN,.38X72.5,PLATED GR 70 | |
| 6 | 2 | 89968 | SHACKLE,.38 STRAIGHT | |
| 7 | 1 | 117580 | 78" Cutter Deck | |
| 8 | 1 | 117810 | Replacement Skid Shoe Kit | |
| 9 | 1 | 117719 | WMT BLADE CARRIER 28"DIA DD | |
| 10 | 1 | 118332 | BLADE SET 3 QTY,78" CUTTER,DOUBLE EDG | |
| 11 | 8 | 10200 | .62" Nord-Lock Washer | |
| 12 | 8 | 1895 | SCREW HHC 0.62-11 X 2.00 GR8 PLD | |
| 13 | 60 | 15326 | CHAIN,.31X8.25,PLD | |
| 14 | 1 | 106342 | CHAIN RETAINER WMT,78" BRUSH CUTTER | |
| 15 | 1 | 1514 | WASHER FL .38 USS PLD | |
| 16 | 1 | 1611 | PIN CTRR .12X1.00 | |

26-32 GPM Brush Cutters



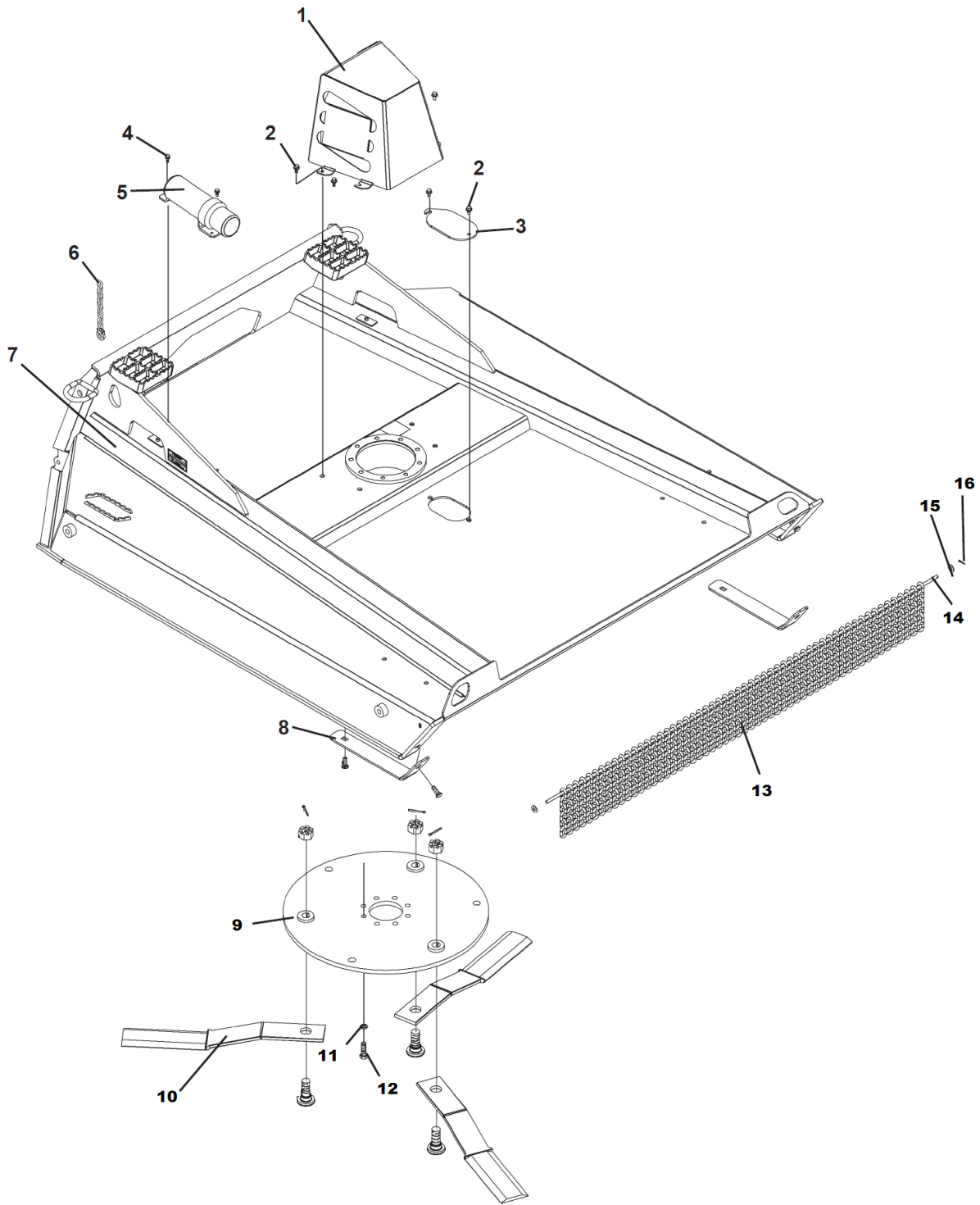
| Item | Qty | Part No. | Name | Additional Info |
|------|-----|----------|---|-----------------|
| 1 | - | VARIES | Item Varies Per Prime Mover. | |
| 1 | 1 | 22518 | QD 8 FF F 12FB | |
| 1 | 1 | 84921 | QD 10 FF F 12FB | |
| 1 | 1 | 22520 | QD 12 FF F 12FB | |
| 2 | - | VARIES | Item Varies Per Prime Mover. | |
| 2 | 1 | 17922 | CAP DUST 8 FFF ISO BODY | |
| 2 | 1 | 114892 | CAP,DUST,FEMALE .63FF ISO BODY | |
| 2 | 1 | 113865 | Dust Cap (.75" Body Coupler) | |
| 3 | - | VARIES | Item Varies Per Prime Mover. | |
| 3 | 1 | 22519 | QD 8 FF M 12FB | |
| 3 | 1 | 84922 | QD 10 FF M 12FB | |
| 3 | 1 | 22521 | QD 12 FF M 12FB | |
| 4 | - | VARIES | Item Varies Per Prime Mover. | |
| 4 | 1 | 17921 | CAP DUST 8 MFF ISO BODY | |
| 4 | 1 | 114891 | CAP,DUST,MALE .63 FF ISO BODY | |
| 4 | 1 | 113864 | Dust Cap (.75" Body Coupler) | |
| 5 | 2 | 38126 | HOSE .62x97 10MB-12MB HS | |
| 6 | 1 | 1026 | SCREW HHC 0.31-18 x 2 GR5 PLD | |
| 7 | 1 | 1502 | WASHER LOCK SPLIT .31 PLD | |
| 8 | 1 | 22315 | HOSE PLATE, #542000000100 | |
| 9 | 1 | 22316 | 1" HOSE CUSHION, #542100000000 | |
| 10 | 1 | 117658 | MOTOR 2K 9.6 CID 1.25 14T 2BOLT-B | |
| 10.1 | 2 | 46234 | SEAL KIT,CARTRIDGE RELIEF VALVE | |
| 10.1 | 2 | 46233 | RELIEF VALVE, CROSSOVER, 2500 PSI | |
| 10.1 | 1 | 117879 | SEAL KIT,MOTOR,EATON 2K,HIGH PRESSURE | |
| 11 | 2 | 1781 | SCREW HHC 0.50-13 X 2.00 GR8 PLD | |
| 12 | 2 | 1505 | WASHER LOCK SPLIT .50 PLD | |
| 13 | 1 | 45125 | O-RING 155 | |
| 14 | 9 | 1895 | SCREW HHC 0.62-11 X 2.00 GR8 PLD | |
| 15 | 9 | 1506 | WASHER LOCK SPLIT .62 PLD | |
| 16 | 1 | 117610 | BEARING HOUSING AUBURN #6 2BOLT B-MOUNT | |

33-40 GPM Brush Cutters



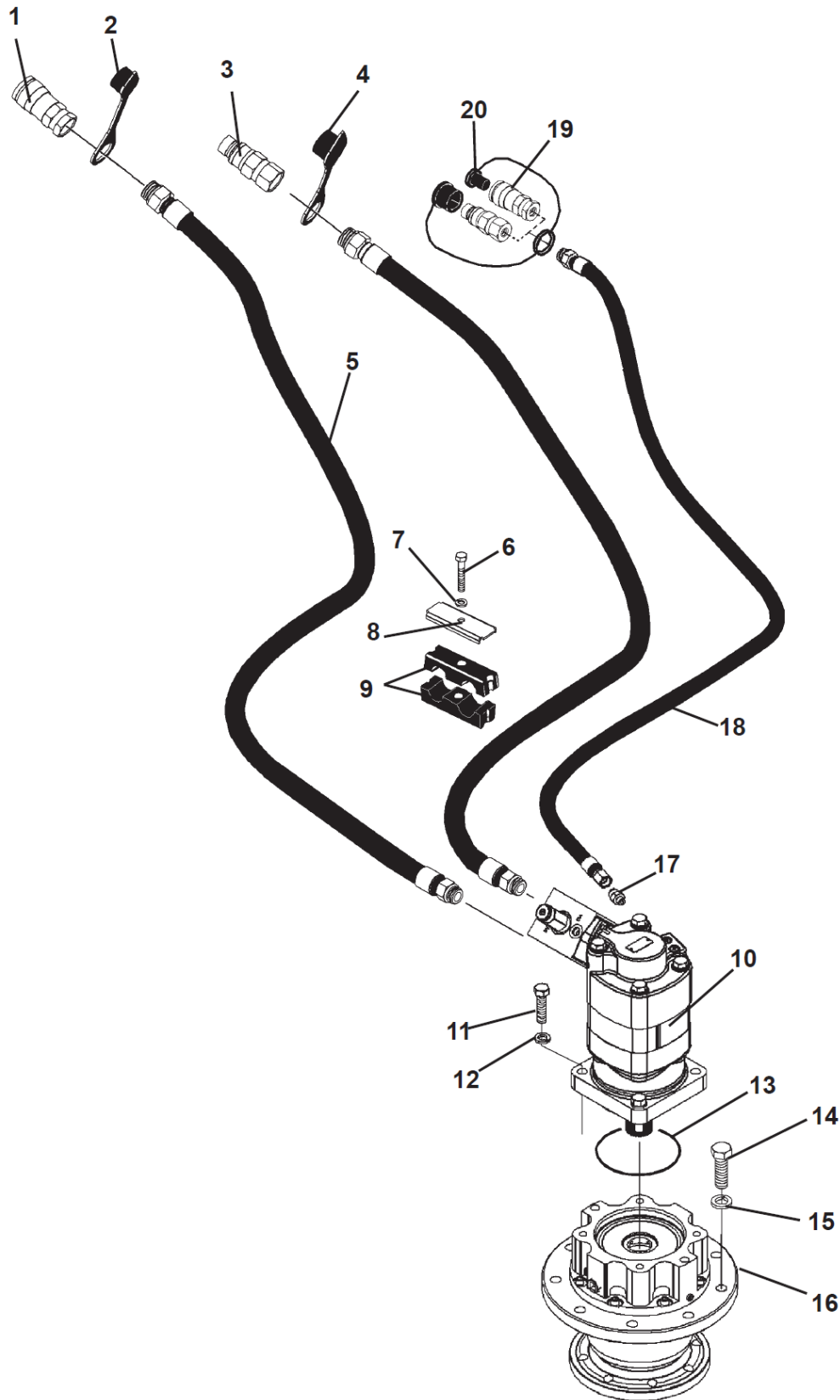
| Item | Qty | Part No. | Name | Additional Info |
|------|-----|----------|---------------------------------------|-----------------|
| 1 | 1 | 118931 | Replacement Cover with Decals | |
| 2 | 6 | 1953 | SCREW HFH 0.38-16 X 0.75 GR5 PLD | |
| 3 | 1 | 15321 | PLATE,IRG,.25X4.50X9.00 | |
| 4 | 2 | 1930 | SCREW HFH .31-18 X 0.75 GR5 PLD | |
| 5 | 1 | 25453 | STORAGE TUBE, MANUALS | |
| 6 | 1 | 18169 | CHAIN,.38X72.5,PLATED GR 70 | |
| 6 | 2 | 89968 | SHACKLE,.38 STRAIGHT | |
| 7 | 1 | 117720 | 72" Cutter Deck | |
| 8 | 1 | 117810 | Replacement Skid Shoe Kit | |
| 9 | 1 | 117719 | WMT BLADE CARRIER 28"DIA DD | |
| 10 | 1 | 118331 | BLADE SET 3 QTY,72" CUTTER,DOUBLE EDG | |
| 11 | 8 | 10200 | .62" Nord-Lock Washer | |
| 12 | 8 | 1895 | SCREW HHC 0.62-11 X 2.00 GR8 PLD | |
| 13 | 56 | 15326 | CHAIN,.31X8.25,PLD | |
| 14 | 1 | 17348 | CHAIN RETAINER WMT,72" CUTTER | |
| 15 | 1 | 1514 | WASHER FL .38 USS PLD | |
| 16 | 1 | 1611 | PIN CTRR .12X1.00 | |

33-40 GPM Brush Cutters

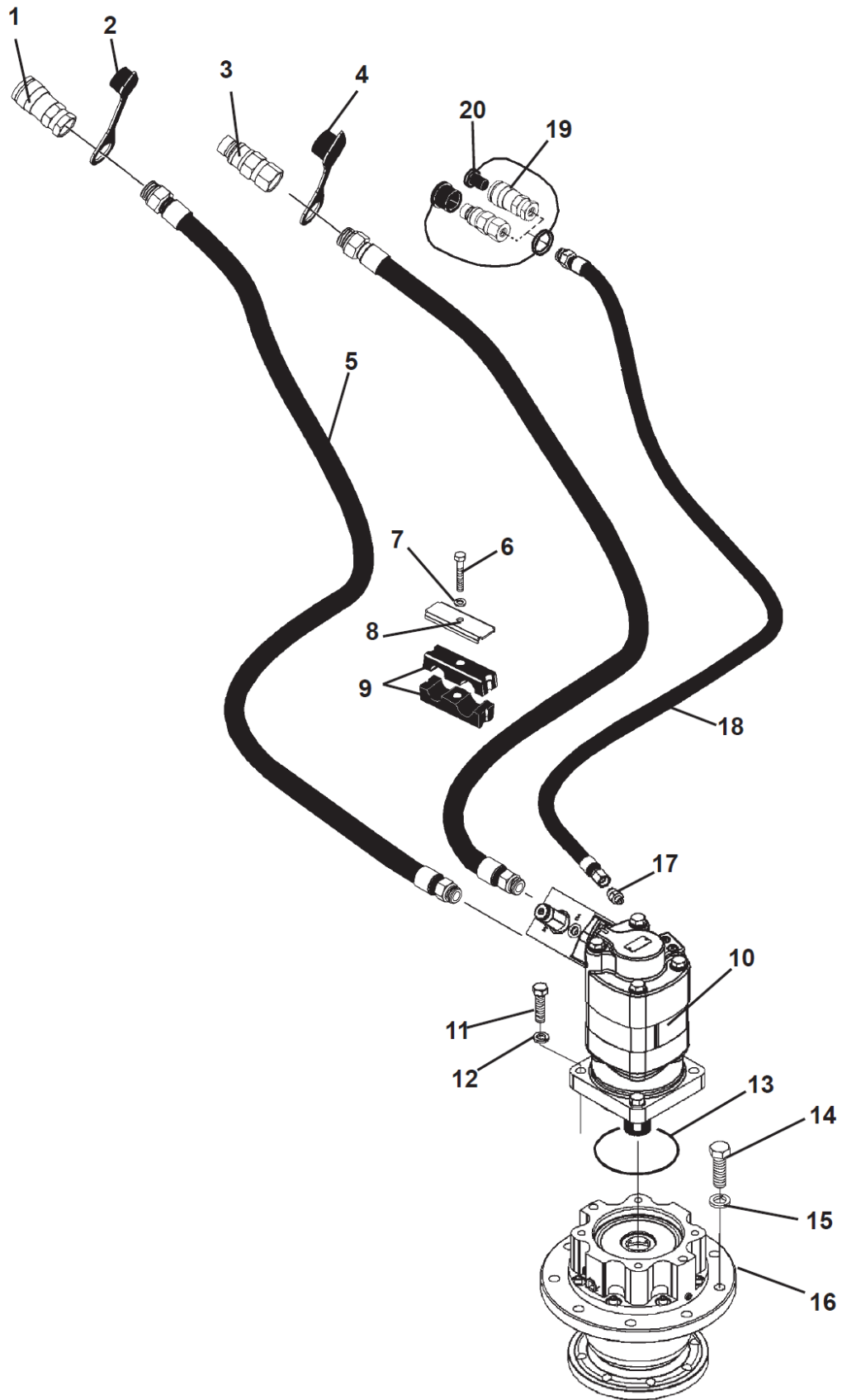


| Item | Qty | Part No. | Name | Additional Info |
|------|-----|----------|---------------------------------------|-----------------|
| 1 | 1 | 118931 | Replacement Cover with Decals | |
| 2 | 6 | 1953 | SCREW HFH 0.38-16 X 0.75 GR5 PLD | |
| 3 | 1 | 15321 | PLATE,IRG,.25X4.50X9.00 | |
| 4 | 2 | 1930 | SCREW HFH .31-18 X 0.75 GR5 PLD | |
| 5 | 1 | 25453 | STORAGE TUBE, MANUALS | |
| 6 | 1 | 18169 | CHAIN,.38X72.5,PLATED GR 70 | |
| 6 | 2 | 89968 | SHACKLE,.38 STRAIGHT | |
| 7 | 1 | 117580 | 78" Cutter Deck | |
| 8 | 1 | 117810 | Replacement Skid Shoe Kit | |
| 9 | 1 | 117719 | WMT BLADE CARRIER 28"DIA DD | |
| 10 | 1 | 118332 | BLADE SET 3 QTY,78" CUTTER,DOUBLE EDG | |
| 11 | 8 | 10200 | .62" Nord-Lock Washer | |
| 12 | 8 | 1895 | SCREW HHC 0.62-11 X 2.00 GR8 PLD | |
| 13 | 60 | 15326 | CHAIN,.31X8.25,PLD | |
| 14 | 1 | 106342 | CHAIN RETAINER WMT,78" BRUSH CUTTER | |
| 15 | 1 | 1514 | WASHER FL .38 USS PLD | |
| 16 | 1 | 1611 | PIN CTRR .12X1.00 | |

33-40 GPM Brush Cutters

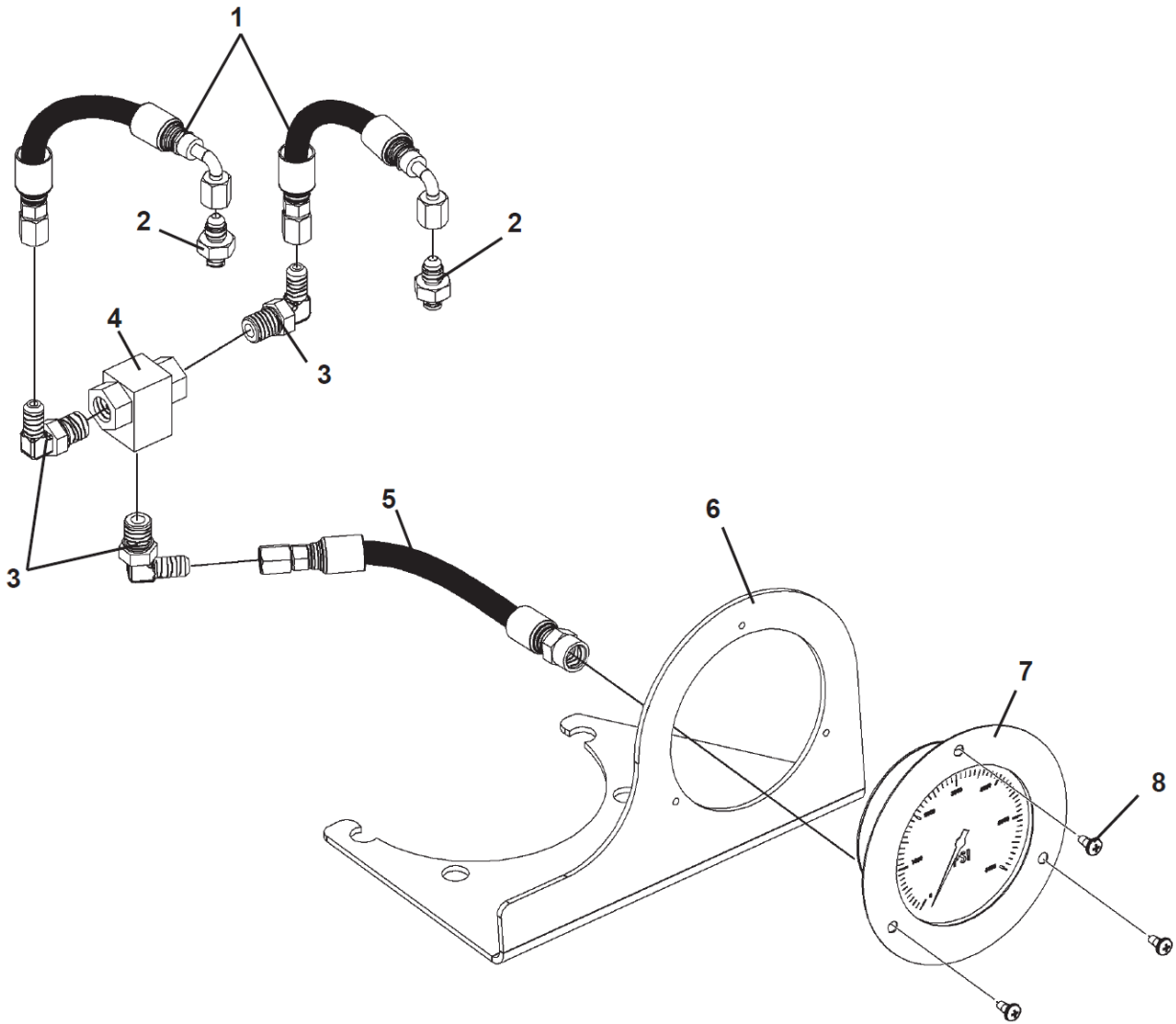


| Item | Qty | Part No. | Name | Additional Info |
|------|-----|----------|-----------------------------------|-----------------|
| 1 | - | VARIES | Item Varies Per Prime Mover. | |
| 1 | 1 | 22518 | QD 8 FF F 12FB | |
| 1 | 1 | 84921 | QD 10 FF F 12FB | |
| 1 | 1 | 22520 | QD 12 FF F 12FB | |
| 2 | - | VARIES | Item Varies Per Prime Mover. | |
| 2 | 1 | 17922 | CAP DUST 8 FFF ISO BODY | |
| 2 | 1 | 114892 | CAP,DUST,FEMALE .63FF ISO BODY | |
| 2 | 1 | 113865 | Dust Cap (.75" Body Coupler) | |
| 3 | - | VARIES | Item Varies Per Prime Mover. | |
| 3 | 1 | 22519 | QD 8 FF M 12FB | |
| 3 | 1 | 84922 | QD 10 FF M 12FB | |
| 3 | 1 | 22521 | QD 12 FF M 12FB | |
| 4 | - | VARIES | Item Varies Per Prime Mover. | |
| 4 | 1 | 17921 | CAP DUST 8 MFF ISO BODY | |
| 4 | 1 | 114891 | CAP,DUST,MALE .63 FF ISO BODY | |
| 4 | 1 | 113864 | Dust Cap (.75" Body Coupler) | |
| 5 | 2 | 38742 | HOSE .75x96 12MB-12MB 100R19 HS | |
| 6 | 1 | 1026 | SCREW HHC 0.31-18 x 2 GR5 PLD | |
| 7 | 1 | 1502 | WASHER LOCK SPLIT .31 PLD | |
| 8 | 1 | 22315 | HOSE PLATE, #542000000100 | |
| 9 | 1 | 22316 | 1" HOSE CUSHION, #542100000000 | |
| 10 | 1 | 117659 | Hydraulic Motor Assembly 11-9 CID | |
| 10.1 | 1 | 118195 | Replacement Motor | |
| 10.1 | 1 | 45898 | SEAL KIT,MOTOR,SHAFT | |
| 10.1 | 1 | 45899 | SEAL KIT,MOTOR,REAR | |
| 10.1 | 2 | 46231 | Replacement Relief Valve | |
| 10.1 | 2 | 46232 | Replacement Relief Valve Seal Kit | |
| 11 | 4 | 1781 | SCREW HHC 0.50-13 X 2.00 GR8 PLD | |
| 12 | 4 | 1505 | WASHER LOCK SPLIT .50 PLD | |
| 13 | 1 | 22609 | O-RING 159 | |
| 14 | 9 | 1895 | SCREW HHC 0.62-11 X 2.00 GR8 PLD | |
| 15 | 9 | 1506 | WASHER LOCK SPLIT .62 PLD | |



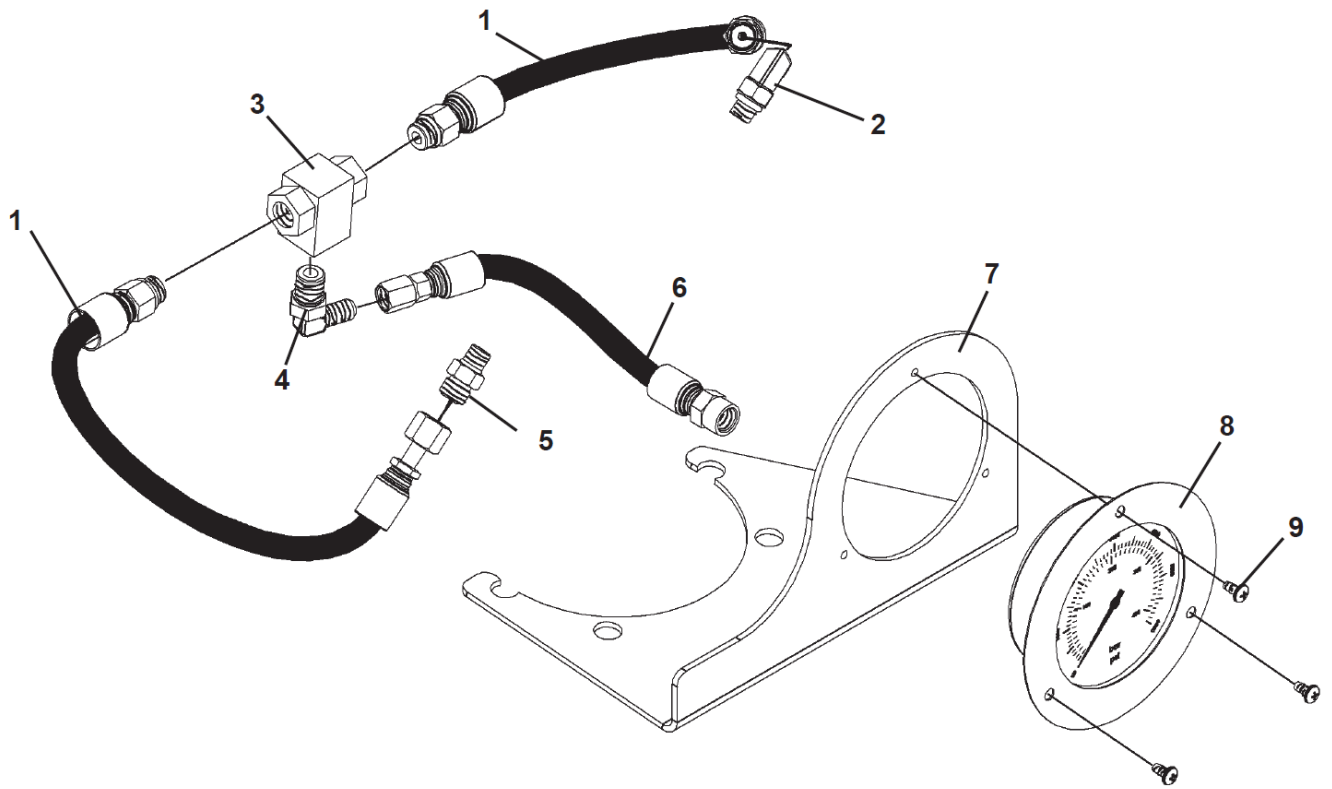
| Item | Qty | Part No. | Name | Additional Info |
|------|-----|----------|-------------------------------------|------------------|
| 16 | 1 | 117611 | Auburn Bearing Housing | |
| 17 | 1 | 3494 | Straight Connector 4MBo-6MJ | |
| 18 | 1 | 38151 | HOSE .38x94 6FJ-8MB 100R2AT HS | |
| 19 | - | VARIES | Item Varies Per Prime Mover. | |
| 19 | 1 | 84923 | QD 6 FF M 8FB | Case Drain Line. |
| 19 | 1 | 87928 | Female Quick Coupler .38" Body 8FBo | Case Drain Line. |
| 20 | - | VARIES | Item Varies Per Prime Mover. | |
| 20 | 1 | 32549 | CAP DUST MALE 3/8FF ISO BODY | Case Drain Line. |
| 20 | 1 | 32548 | CAP DUST FEMALE 3/8FF ISO BODY | Case Drain Line. |

Options & Kits

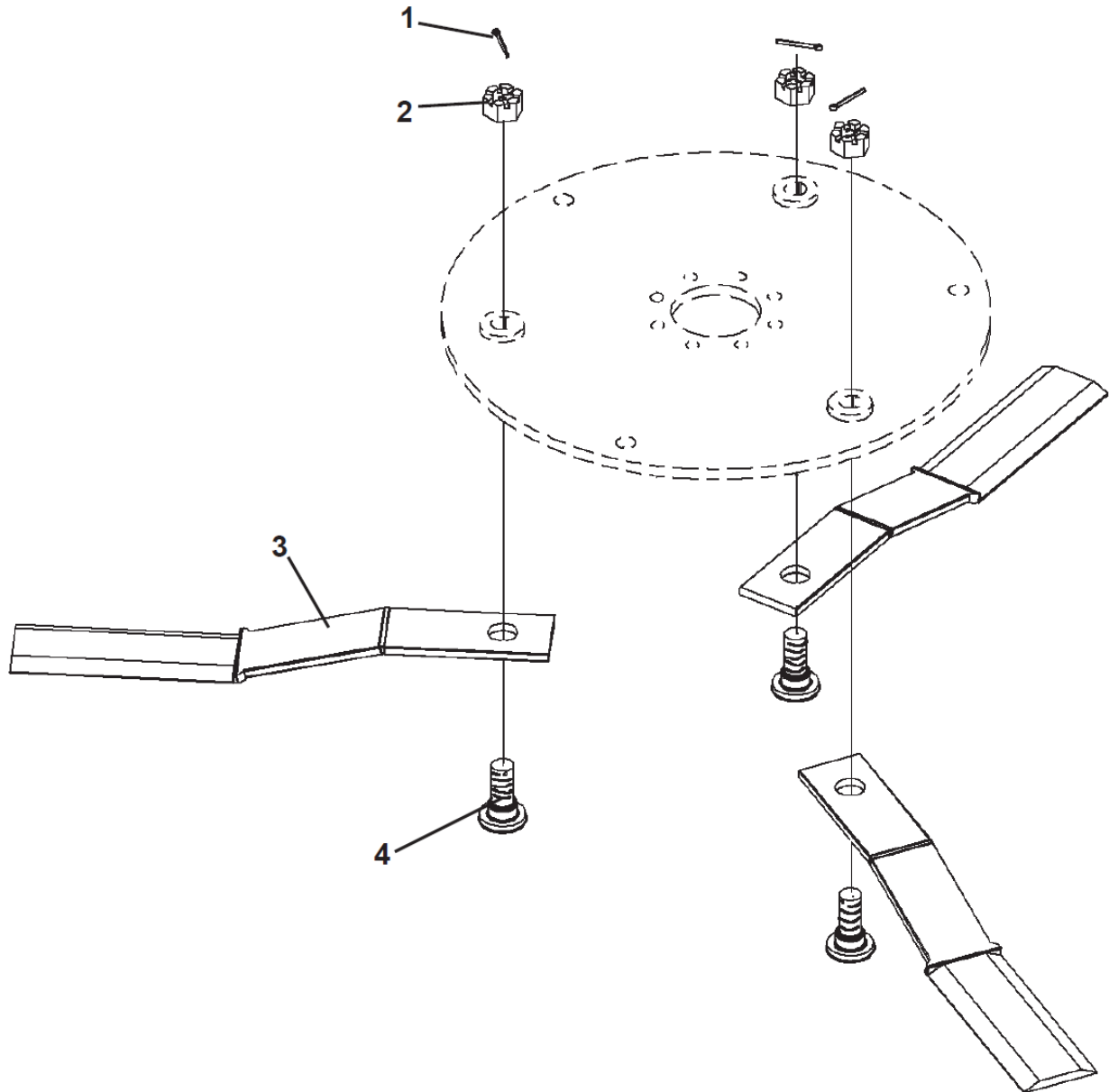


| Item | Qty | Part No. | Name | Additional Info |
|------|-----|----------|---|-----------------|
| 1 | 2 | 38769 | HOSE .25x8 4FJ-4FJ90 100R17 | |
| 2 | 2 | 30477 | FTG 3MB-4MJ | |
| 3 | 3 | 22576 | ELBOW 90 6MB-4MJ | |
| 4 | 1 | 22547 | SHUTTLE VALVE | |
| 5 | 1 | 38770 | HOSE .25x8 4FP-4FJ 100R17 | |
| 6 | 1 | 117689 | SHEET,BENT,10x11.96x9.50 | |
| 7 | 1 | 117880 | GAUGE,PRESSURE/BAR,1/4NPT,4" | |
| 7 | 1 | 41258 | DECAL,COLORED OVERLAY | |
| 8 | 3 | 10255 | SCREW CRPM #10-24 X .38,TAPPING,TYPE-I/T | |

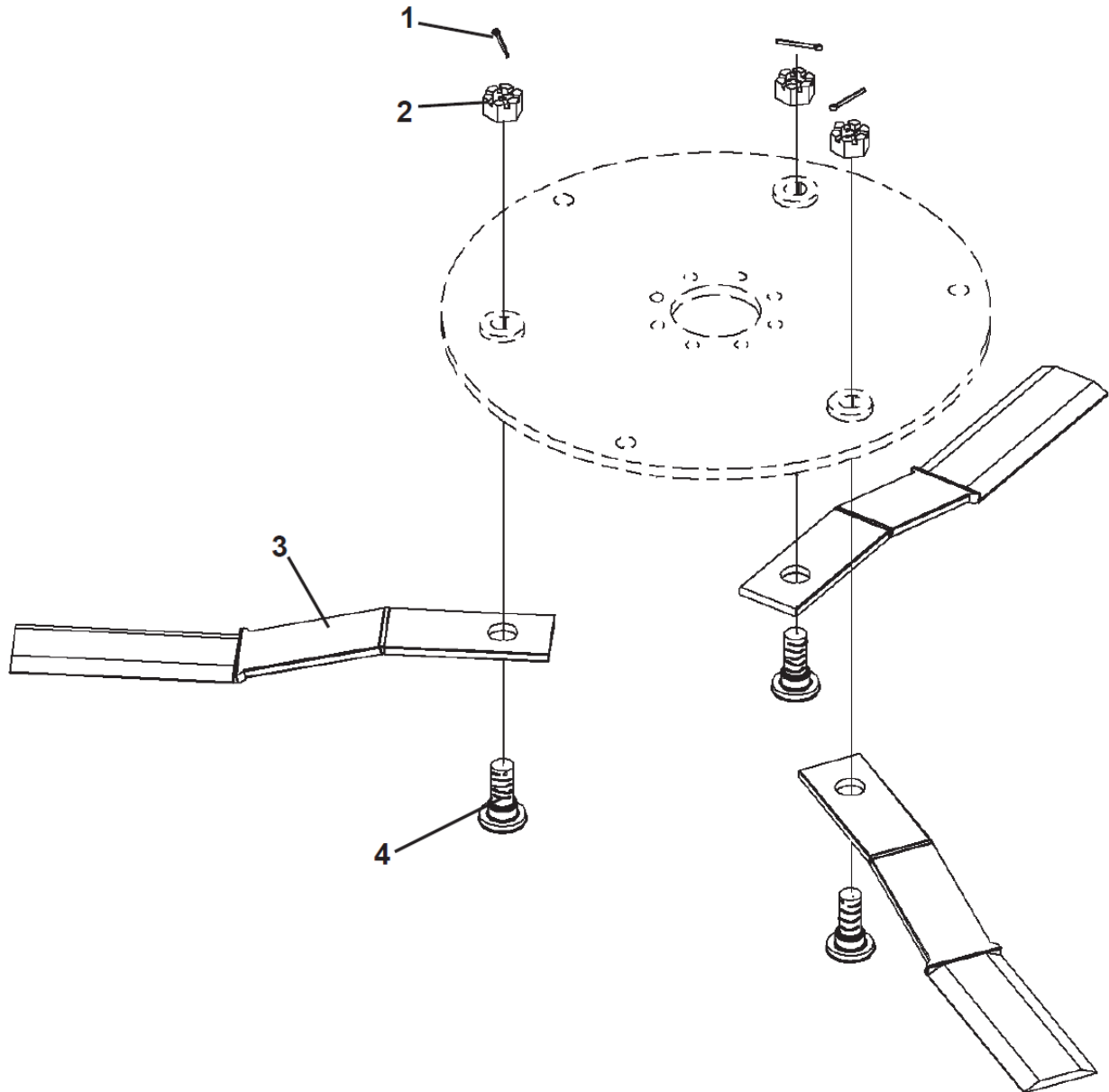
Options & Kits



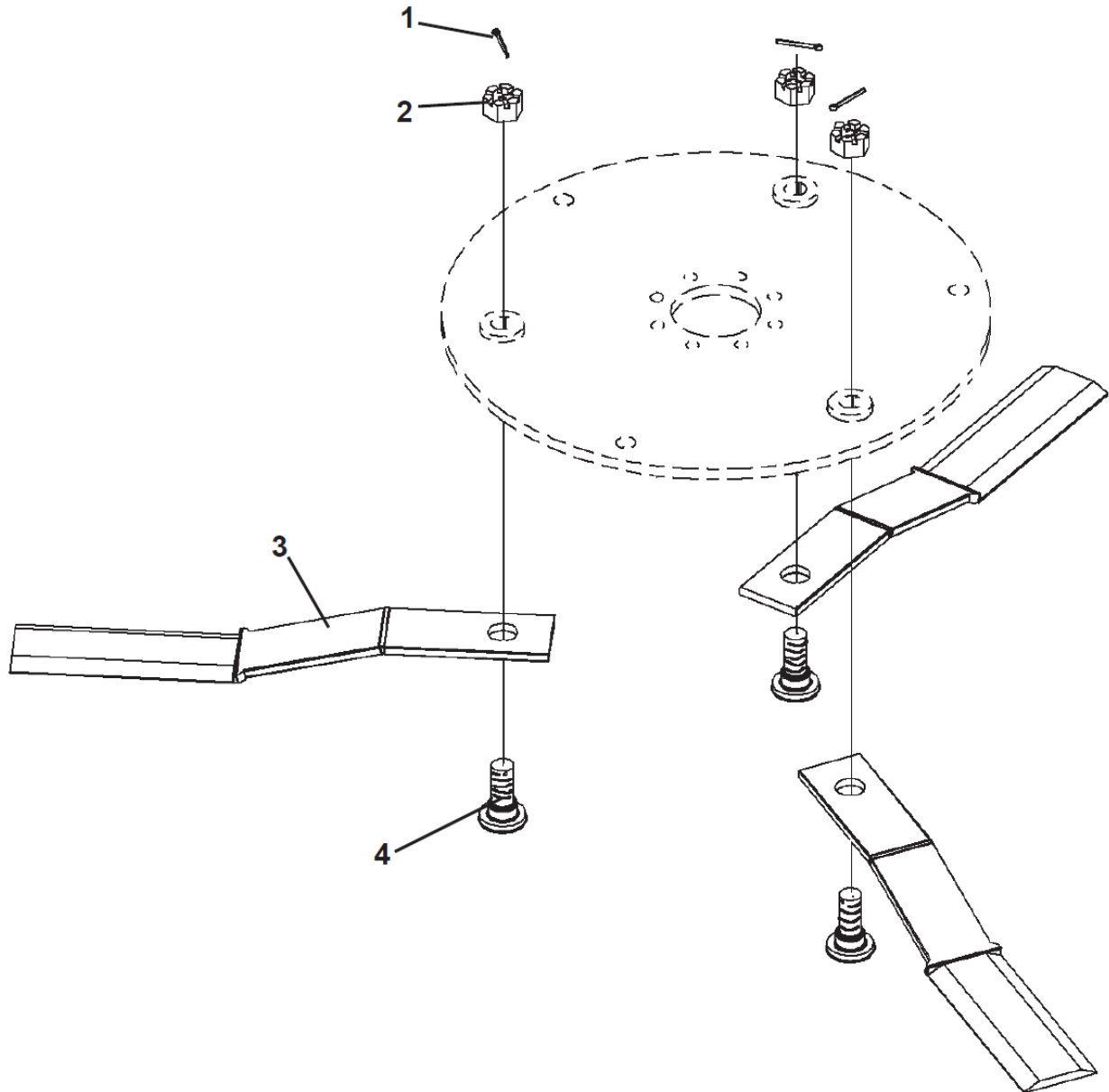
| Item | Qty | Part No. | Name | Additional Info |
|------|-----|----------|---|-----------------|
| 1 | 2 | 38789 | Hose, .25" X 16" 6MBo-4FF | |
| 2 | 1 | 30441 | ELBOW 90 4MB-4MFS | |
| 3 | 1 | 22547 | SHUTTLE VALVE | |
| 4 | 1 | 22576 | ELBOW 90 6MB-4MJ | |
| 5 | 1 | 30481 | Straight Connector 4MBo-4MORFS | |
| 6 | 1 | 38770 | HOSE .25x8 4FP-4FJ 100R17 | |
| 7 | 1 | 117689 | SHEET,BENT,10x11.96x9.50 | |
| 8 | 1 | 117880 | GAUGE,PRESSURE/BAR,1/4NPT,4" | |
| 8 | 1 | 41258 | DECAL,COLORED OVERLAY | |
| 9 | 3 | 10255 | SCREW CRPM #10-24 X .38,TAPPING,TYPE-I/T | |



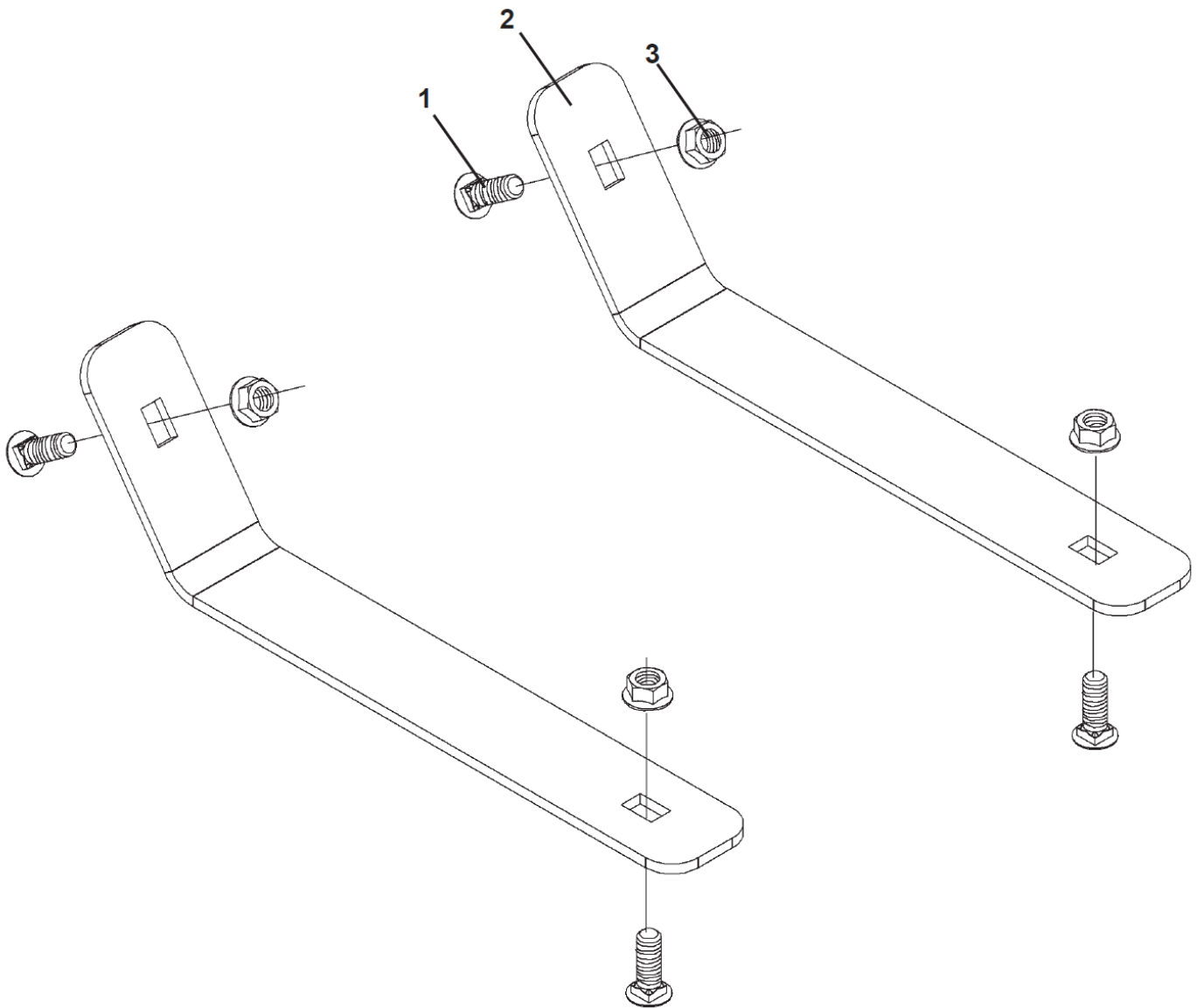
| Item | Qty | Part No. | Name | Additional Info |
|------|-----|----------|---------------------------------|-----------------|
| 1 | 3 | 1793 | PIN CTTR .19X2.00 | |
| 2 | 3 | 17390 | NUT BLADE SPEC | |
| 3 | 3 | 117785 | BLADE,DOUBLE EDGE,60" DD CUTTER | |
| 4 | 3 | 17389 | BOLT BLADE SPEC | |



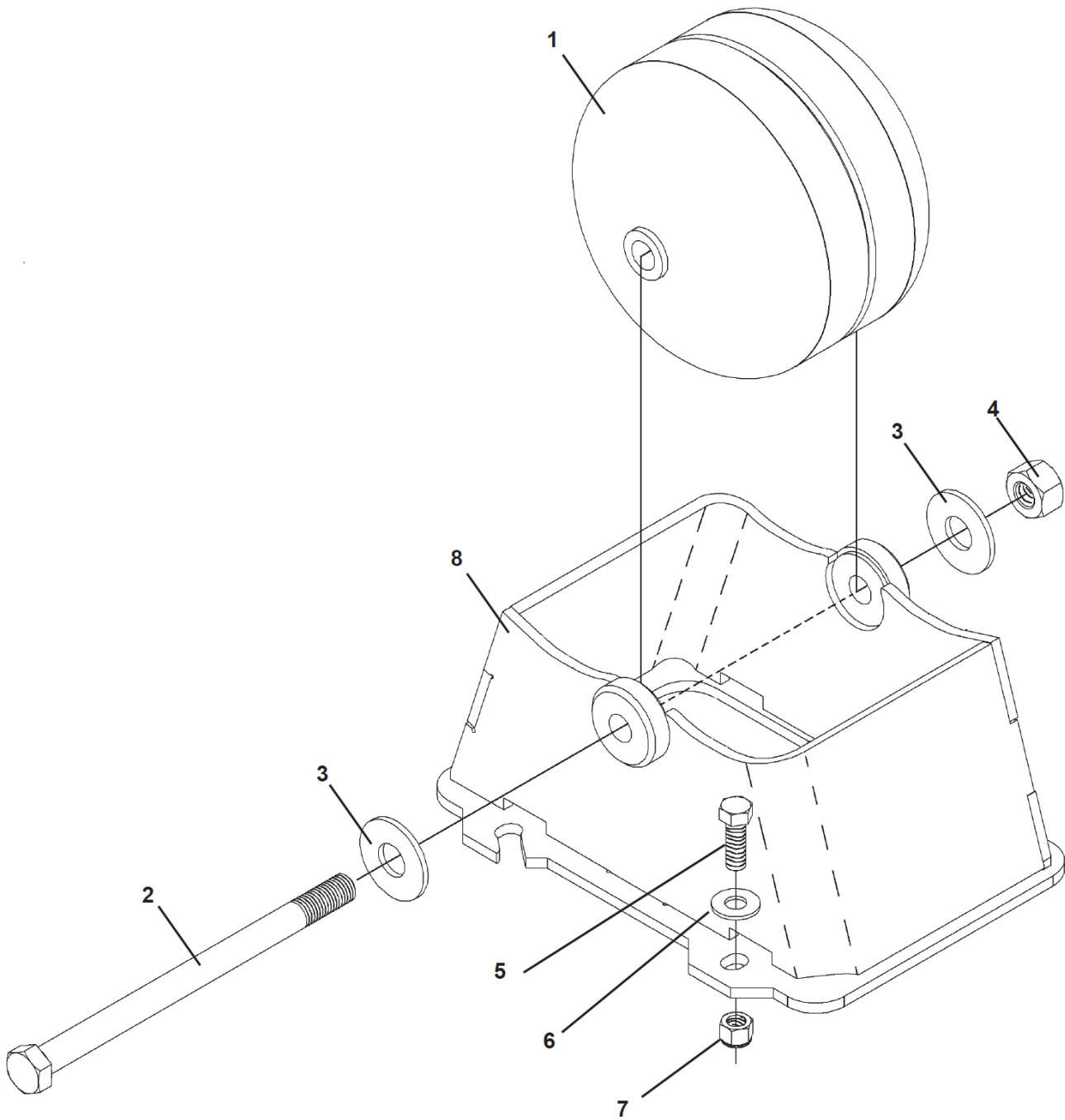
| Item | Qty | Part No. | Name | Additional Info |
|------|-----|----------|------------------------------|-----------------|
| 1 | 3 | 1793 | PIN CTTR .19X2.00 | |
| 2 | 3 | 17390 | NUT BLADE SPEC | |
| 3 | 3 | 18515 | BLADE,DOUBLE EDGE,72" CUTTER | |
| 4 | 3 | 17389 | BOLT BLADE SPEC | |



| Item | Qty | Part No. | Name | Additional Info |
|------|-----|----------|------------------------------|-----------------|
| 1 | 3 | 1793 | PIN CTTR .19X2.00 | |
| 2 | 3 | 17390 | NUT BLADE SPEC | |
| 3 | 3 | 106312 | BLADE,DOUBLE EDGE,78" CUTTER | |
| 4 | 3 | 17389 | BOLT BLADE SPEC | |

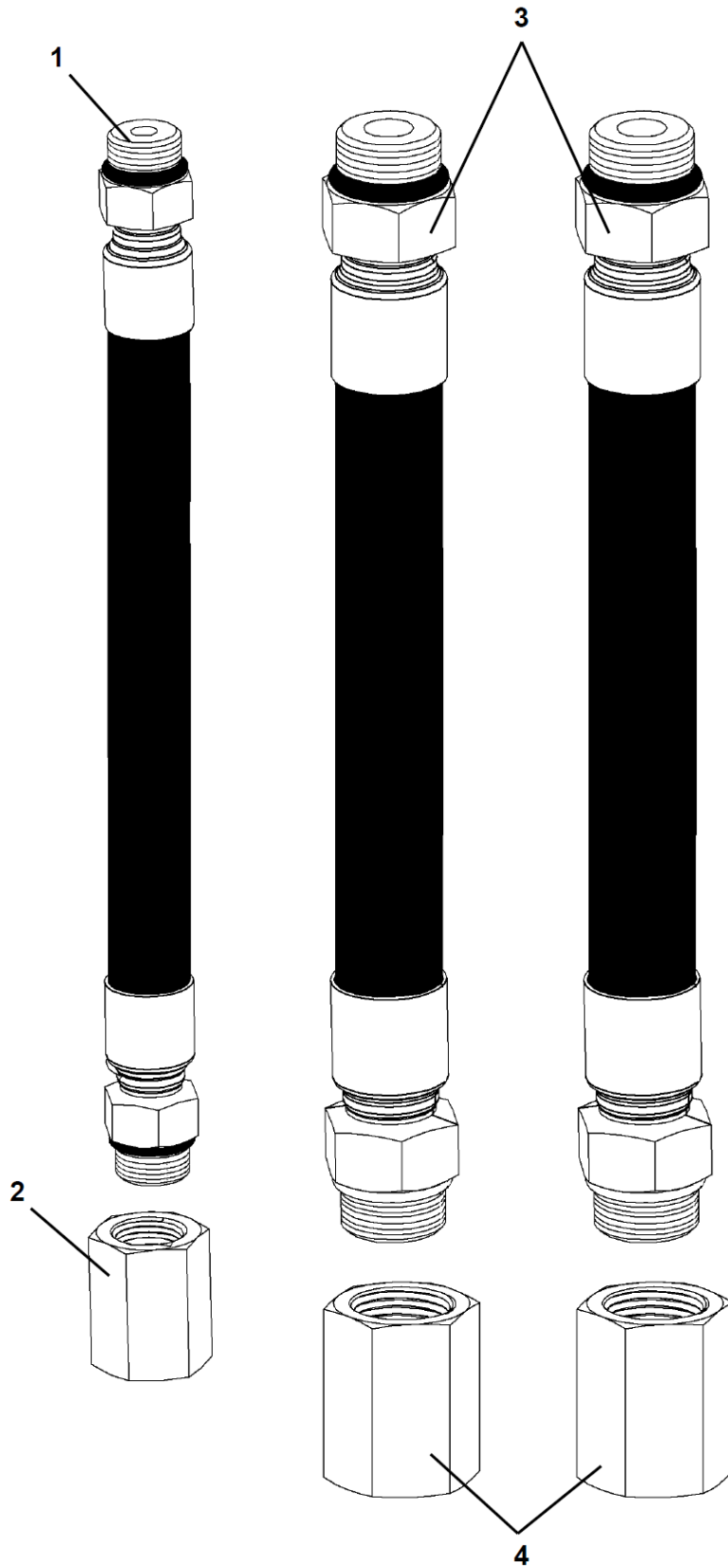


| Item | Qty | Part No. | Name | Additional Info |
|------|-----|----------|---------------------------------|-----------------|
| 1 | 4 | 1872 | BOLT CRG .50-13X1.50 GR5 PLD | |
| 2 | 2 | 117811 | PLATE,BENT, .25X2.50X19.44 | |
| 3 | 4 | 1790 | NUT LOCK SERRATED FLANGE .50-13 | |



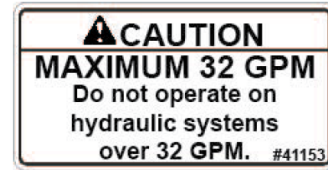
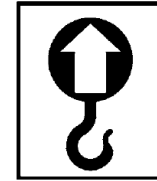
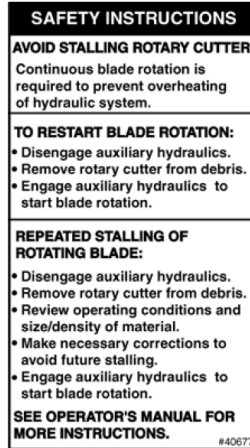
| Item | Qty | Part No. | Name | Additional Info |
|-----------|-----|----------|-------------------------------------|-----------------------------|
| Not Shown | | 117680 | Wheel Kit | Includes items 1 through 4. |
| 1 | 2 | 117685 | WHEEL WMT BRUSH CUTTER DD | |
| 2 | 2 | 1689 | .75" UNC X 7.00" Hex Capscrew - GR8 | |
| 3 | 4 | 1518 | WASHER FL .75 USS PLD | |
| 4 | 2 | 1534 | NUT NYLOCK 0.75-10 GR5 PLD | |
| 5 | 8 | 1090 | SCREW HHC 0.50-13 X 1.50 GR5 PLD | |
| 6 | 8 | 1527 | WASHER FL .50 SAE PLD | |
| 7 | 8 | 1841 | NUT LOCK TORQUE GR8 0.50-13 PLD | |
| 8 | 1 | 117681 | WHEEL FRAME WMT | |

Options & Kits



| Item | Qty | Part No. | Name | Additional Info |
|------|-----|----------|--------------------------------|-----------------|
| 1 | 1 | 38795 | Hose .38" X 26" 8MBo-8MBo | |
| 2 | 1 | 30473 | Straight Connector 8FBo-8FBo | |
| 3 | 2 | 38793 | Hose .75" X 24" 12MBo-12MBo | |
| 4 | 2 | 30487 | Straight Connector 12FBo-12FBo | |

Replacement Decals

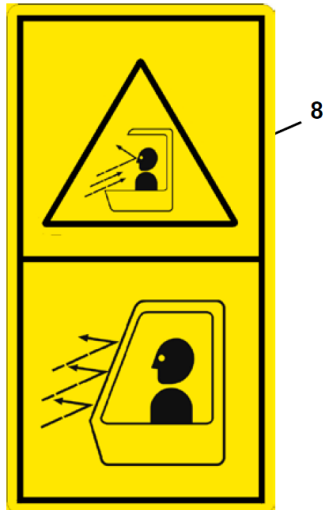
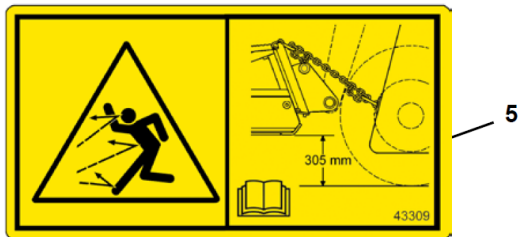
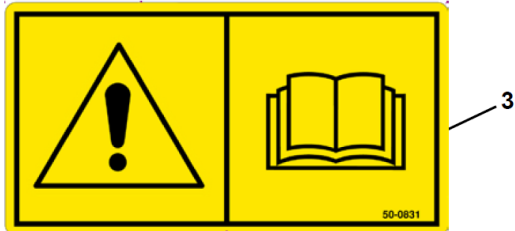
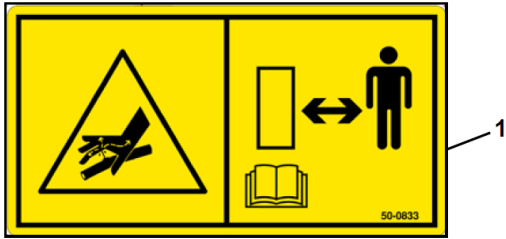


| Item | Qty | Part No. | Name | Additional Info |
|------|-----|----------|---|-----------------|
| 1 | - | 40673 | DECAL,DANGER ROTATING BLADE | |
| 2 | - | 40677 | DECAL,SAFETY INSTRUCTION,AVOID STALL | |
| 3 | - | 40678 | DECAL,WARNING,BEFORE LEAVING OP SEAT | |
| 4 | - | 40151 | DECAL WARNING HIGH-PRESSURE FLUID | |
| 5 | - | 50-0769 | LABEL LIFT POINT ISO SYMBOL | |
| 6 | - | 40307 | DECAL DANGER GUARD MISSING | |
| 7 | - | 41207 | DECAL,WARNING,ACCESS COVER-MOVING PARTS | |
| 8 | - | 41153 | DECAL,CAUTION,MAX FLOW 32 GPM | |
| 9 | - | 40590 | DECAL CAUTION HI-FLOW SYSTEMS | |
| 10 | - | 40161 | DECAL,STAND CLEAR | |
| 11 | - | 41211 | DECAL,LOGO,GROUND SHARK | |
| 12 | - | 40679 | DECAL,WARNING,LIFT LIMITING CHAIN | |
| 13 | - | 41219 | DECAL,STANDARD DUTY BRUSH CUTTER | |
| 14 | - | 4105 | DECAL,WARNING,STAND CLEAR | |
| 15 | - | Varies | Contact your local dealer to purchase model number and logo decals. | |

Comments for Page: Verbiage Decals - PM834

IMPORTANT: See Operator's manual for decal placement and definition.

Replacement Decals



| Item | Qty | Part No. | Name | Additional Info |
|------|-----|----------|---|-----------------|
| 1 | - | 50-0833 | High Pressure Fluid Hazard | |
| 2 | - | 50-0841 | Flying Debris - Stand Back | |
| 3 | - | 50-0831 | LABEL ISO READ MANUAL HORZ | |
| 4 | - | 43310 | Rotating Blade Hazard - Stand Back | |
| 5 | - | 43309 | Flying Debris Hazard - Lift Limiting Chain Required | |
| 6 | - | 50-0835 | Decal, Pinch Point Hazard - Hand | |
| 7 | - | 41013 | Remove Key Before Performing Maintenance | |
| 8 | - | 43302 | Flying Debris Hazard - Shatterproof Cab Door Required | |
| 9 | - | 43305 | Entanglement Hazard - Guards | |
| 10 | - | 43307 | Mandatory Action - Read Manual - Specific Instructions | |
| 11 | - | Varies | Contact your local dealer to purchase model number and logo decals. | |

Comments for Page: Non-Verbiage Decals - PM834

IMPORTANT: See Operator's manual for decal placement and definition.

Comments for Chapter: Replacement Decals

IMPORTANT: See Operator's manual for decal placement and definition.