



VIBRATORY ROLLER

Features	Advantages	Benefits
Up to 9370 lbs of Dynamic Energy Output	Maximum Compaction Delivery for Fewer Passes	Increased Productivity, Increased ROI
15 Degree Oscillation	Allows Roller to Follow Ground Contours for Even Compaction	Increased Productivity, Increased ROI
Dual Adjustable Scraper Blades	Keeps Drum Clean for Smooth Surface Finish	Increased Productivity, Increased ROI



VIBRATORY ROLLER

Paladin Light Construction Equipment has introduced a line of drum vibratory compactors that are skid steer compatible.

- Seven models
- 36" to 84" working widths
- Hydraulic drives are protected and isolated to provide maximum performance and reliability
- Deliver up to 9,370 lbs of dynamic force when operating at 20 GPM



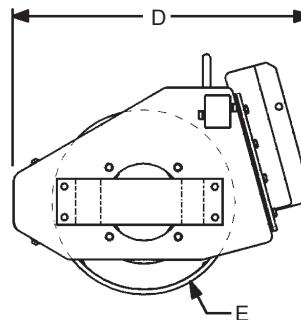
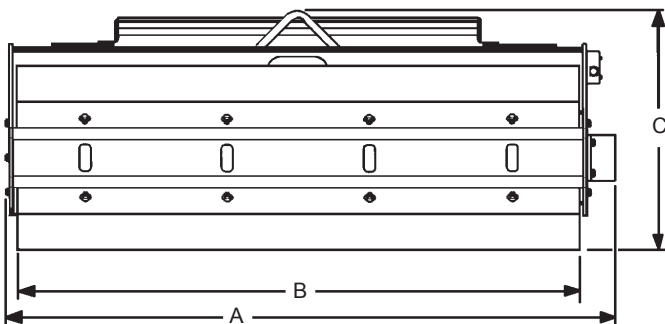
Smooth Drum	36"	48"	66"	73"	84"
Order Code	109100 or 109101	105061	105062	105063	105064
Drum	Smooth	Smooth	Smooth	Smooth	Smooth
A. Overall Width	42"	61"	72"	79"	90"
B. Drum Width	36"	48"	66"	73"	84"
C. Overall Height	22"	31"	31"	31"	31"
D. Overall Length	34"	39"	39"	39"	39"
E. Drum Diameter	20"	24"	24"	24"	24"
Operating Weight (lbs)	840	1,680	2,150	2,300	2,530
Dynamic Force (lbs)	2,488	5,750	7,800	8,550	9,370
Vibrating Speed (vpm)	2,000	2,600	2,600	2,600	2,600
Vibrating Weight (lbs)	507	935	1,190	1,290	1,440
Drum Oscillation/Tilt (degrees)	15	15	15	15	15
Hydraulic Motor Flow (gpm)	6-9 or 10-14	25	25	25	25

VIBRATORY ROLLER

- Steel drum has an adjustable steel scrap blade between the frame and the drum ensuring smooth and uniform compaction performance
- Ideal for rental fleets, contractors, landscaping, roadways, walkways, bike paths, golf courses bridges and parking lots
- Available with smooth and pad foot drums

Padded Drum	48"	66"	73"	84"
Order Code	105065	105066	105067	105068
Drum	Padded	Padded	Padded	Padded
A. Overall Width	61"	72"	79"	90"
B. Drum Width	48"	66"	73"	84"
C. Overall Height	31"	31"	31"	31"
D. Overall Length	39"	39"	39"	39"
E. Drum Diameter (without pads)	20"	20"	20"	20"
Operating Weight (lbs)	1,630	2,085	2,230	2,455
Dynamic Force (lbs)	5,750	7,800	8,550	9,370
Vibrating Speed (vpm)	2,600	2,600	2,600	2,600
Drum Oscillation/Tilt (degrees)	15	15	15	15
Maximum Flow (gpm)	25	25	25	25

*Specifications are based on hydraulic flow of 20 gpm where applicable



Subject to change without notice.