



ROCK SAW

For Skid Steer Loaders



The **Bradco Rock Saw**, by Paladin, is equipped with sideshift and height adjustment features that are electrically controlled from the operator's seat.

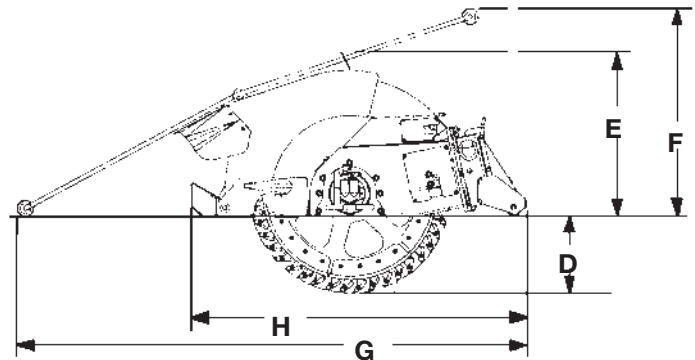
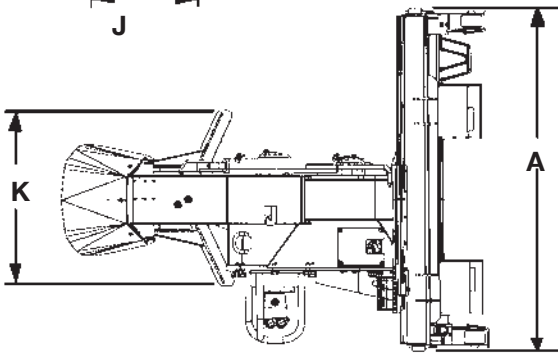
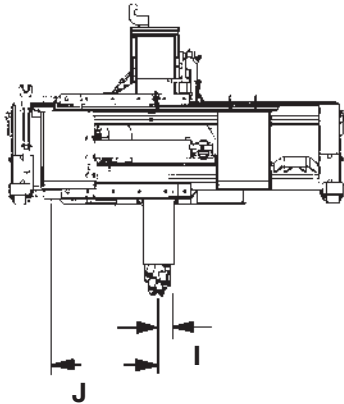
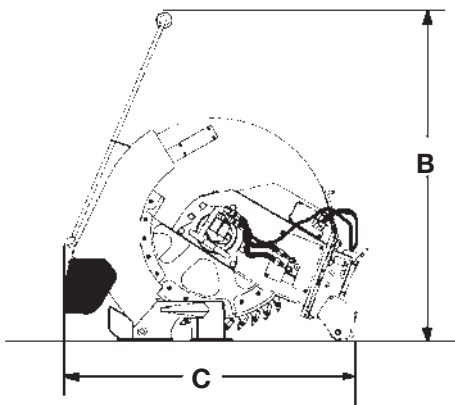


- Needle valve flow control adjustment allows precise control of skid shoe height allowing digging depth to be adjusted "on the go"
- Abrasion resistant plate steel allows longer life
- Open front of saw allows efficient ejection of debris
- Forward movement allows operator to see what he is doing

ROCK SAW

- Standard electro-hydraulic controls, depth controls, and side-shift
- Steel planetary drive delivers high torque
- Protective shields for hydraulic & electrical components
- Solid hardened steel wheels with greasable manifold pins and secluded greased zerks

Specifications	RS18	RS24
A. Width (overall)	67"	67"
B. Height (transport) (overall)	79"	81"
C. Length (transport) (overall)	76"	86"
D. Cutting Depth (maximum)	18"	24"
E. Operating Height (guide arm down)	40"	44"
F. Operating Height (guide arm up)	50"	58"
G. Operating Length (guide arm down)	119"	132"
H. Operating Length (guide arm up)	77"	89"
I. Side Shift (center to left)	2.72"	2.72"
J. Side Shift (center to right)	24"	24"
K. Spoil Removal Path	34"	34"
Wheel Diameter	48"	60"
Number of Picks	42	56
Hydraulic Flow Requirement (GPM)	22 to 44	30 to 44
Operating Pressure (PSI)	2500 to 3000	2500 to 3000
Weight (without picks) (lbs)	1775	2095
Operating Weight (with 2.5" cutting width) (lbs)	1995	2385
Operating Weight (with 4" cutting width) (lbs)	2020	2420



When work needs to get done you need to be able to depend on your equipment. Our rock saws are designed for maximum reliability, durability, and productivity.