

Brush Cutter, Ground Shark, Extreme Duty

Brush Cutter, Ground Shark, Extreme Duty

66" GSE Series Brush Cutter - 20-34 GPM

66" Mainframe - - 20-34 GPM 1
66" Blade Carrier - 20-34 GPM 3
66" Hydraulics - 20-34 GPM 5
123544 Wear Plate Kit 7
123781 Carbide Tooth Kit 9
Motor Assembly - 123653 11

72" GSE Series Brush Cutter - 20-34 GPM

72" Mainframe - 20-34 GPM 13
72" Blade Carrier - 20-34 GPM 15
72" Hydraulics - 20-34 GPM 17
117192 Wear Plate Kit 19
123733 Carbide Tooth Kit 21
Motor Assembly - 123653 23

72" GS Series Brush Cutter - 30-45 GPM

72" Mainframe - 30-45 GPM 25
72" Blade Carrier - 30-45 GPM 29
72" Hydraulics - 30-45 GPM 31
117192 Wear Plate Kit 33
117193 Carbide Tooth Kit 35
Motor Assembly - 123765 37
Control Valve Service Parts 39
Drive Bearing Housing - 117145 41

78" GS Series Brush Cutter - 30-45 GPM

78" Mainframe - 30-45 GPM 44
78" Blade Carrier - 30-45 GPM 49
78" Hydraulics - 30-45 GPM 51
123639 Wear Plate Kit 53
123734 Carbide Tooth Kit 55

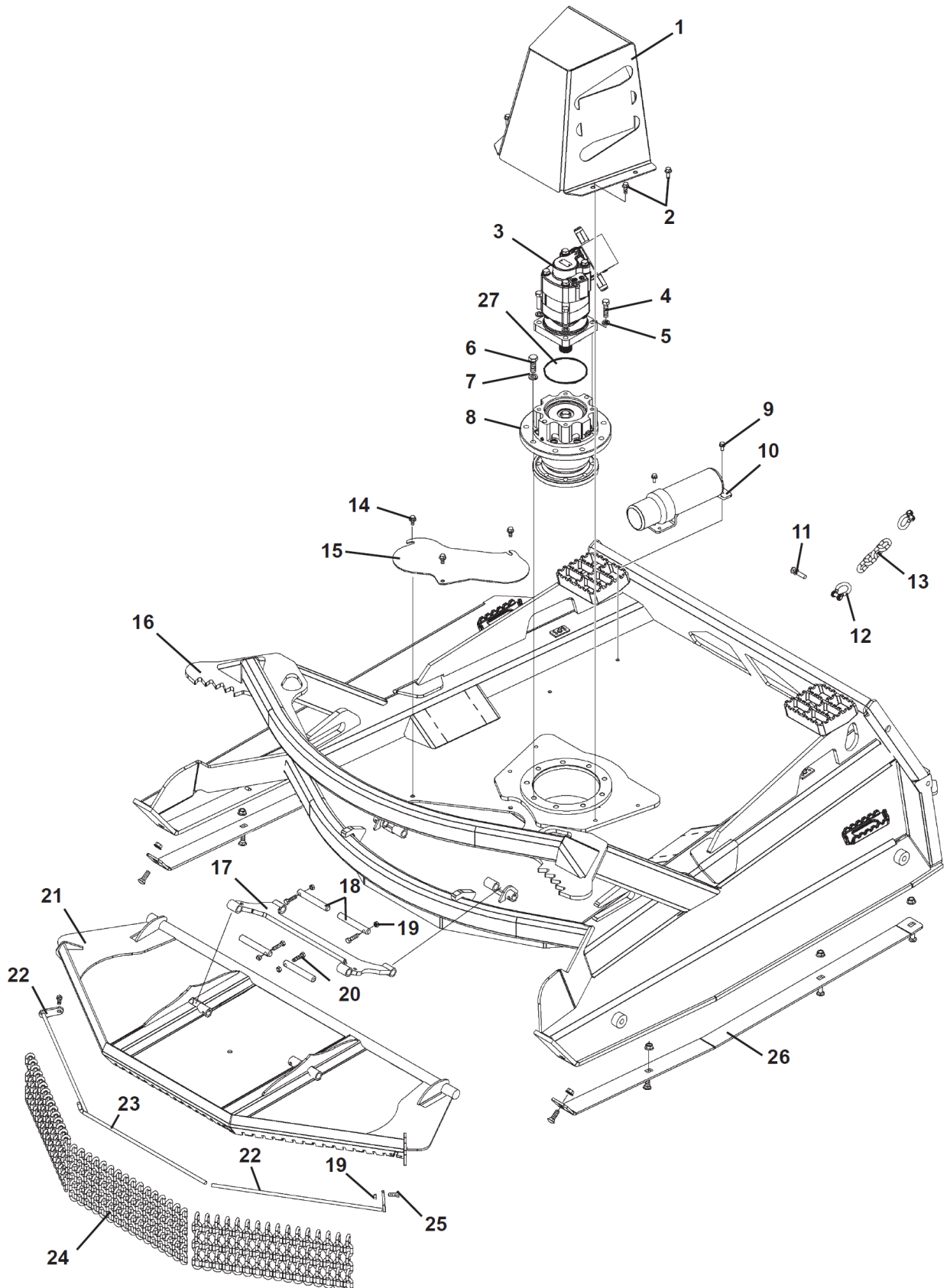
Options and Kits

119419 Hose Extension Kit 57
Pressure Gauge Kit - 123642 59
123735 Replacement Blade Kit 61
123736 Replacement Blade Kit 63
117194 Replacement Blade Kit 65

Replacement Decals

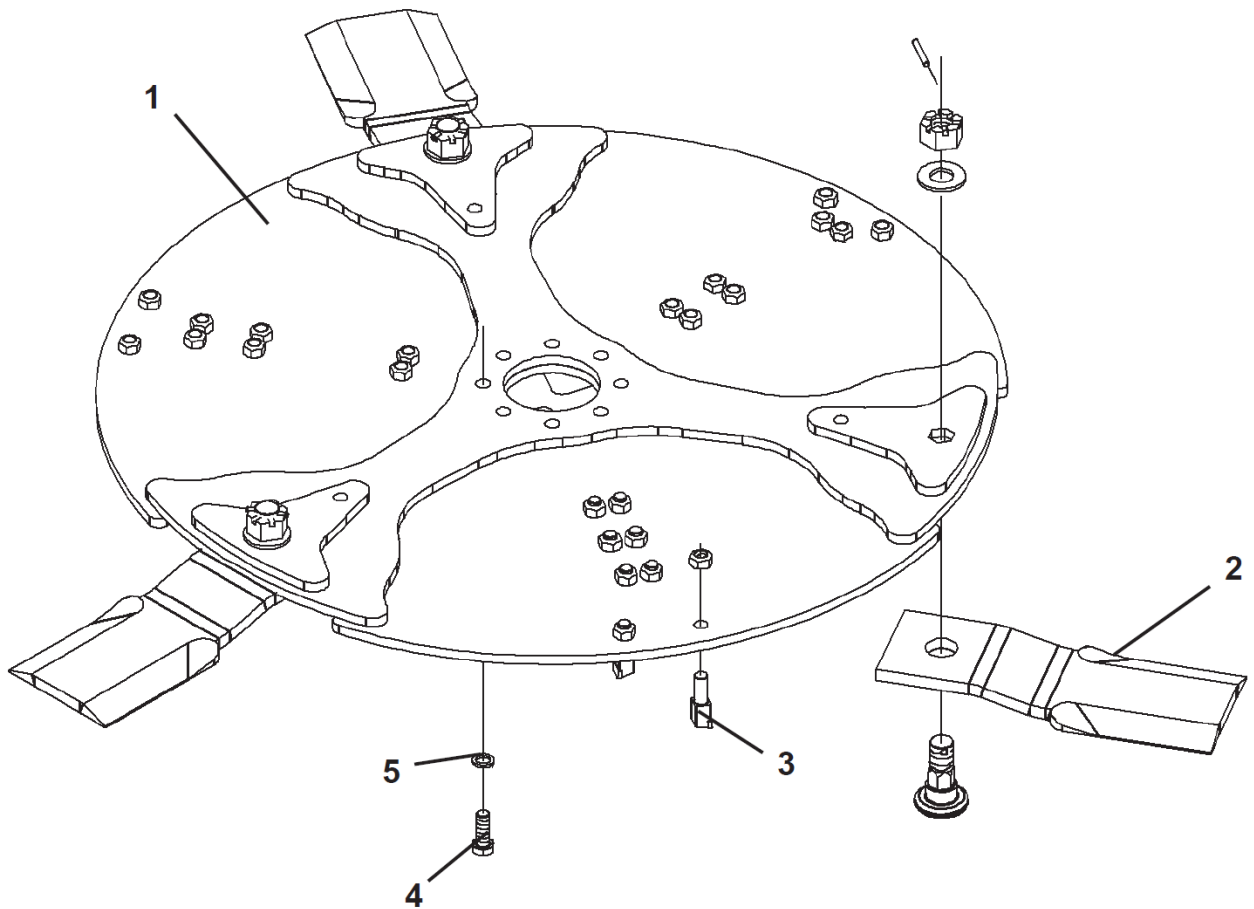
Verbiage Decals 67
Non-Verbiage Decals 69

66" GSE Series Brush Cutter - 20-34 GPM



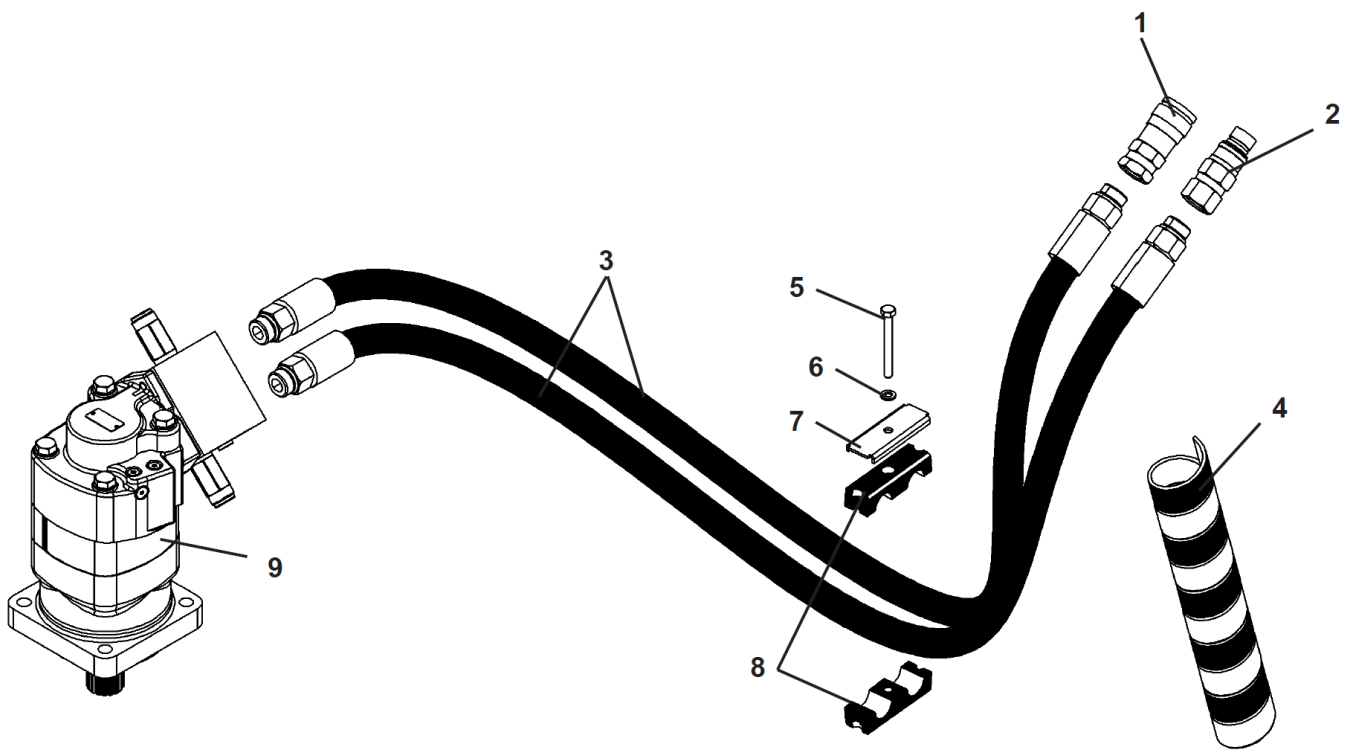
Item	Qty	Part No.	Name	Additional Info
1	1	118931	Replacement Cover with Decals	
2	4	10221	.50" UNC X 1.25" Flange Head Capscrew	
3	1	123653	Hydraulic Motor Assembly	Disassembly will Void Warranty., Includes Control Valve
4	4	1781	.50" UNC X 2.00" Hex Capscrew - GR8	
5	4	1505	.50" Lock Washer	
6	9	10070	.62" UNC X 1.75" Hex Capscrew - GR8	
7	9	1506	.62" Lock Washer	
8	1	117611	Auburn Bearing Housing	
9	2	1930	.31" UNC X .75" Flange Head Capscrew	
10	1	25453	Manual Storage Tube	
11	1	10280	.44" UNC X 1.50" Tork Bolt Pin	
12	2	89968	Shackle	
13	1	18169	Lift Limiting Chain	
14	3	1953	.38" UNC X .75" Flange Head Capscrew	
15	1	116627	Access Cover	
16	1	123491	Deck	
17	1	116628	Pivot Link	
18	4	13-50267	Pivot Pin	
19	6	1837	.38" UNC Deformed Lock Nut	
20	4	1045	.38" UNC X 1.50" Hex Capscrew	
21	1	116613	Front Shield	
22	2	116805	Bolted Chain Retention Rod	
23	1	116804	Chain Retention Rod	
24	48	15326	Front Chain	
25	2	1043	.38" UNC X 1.00" Hex Capscrew	
26	1	123544	Wear Plate Kit	
27	1	22609	O-Ring	

66" GSE Series Brush Cutter - 20-34 GPM



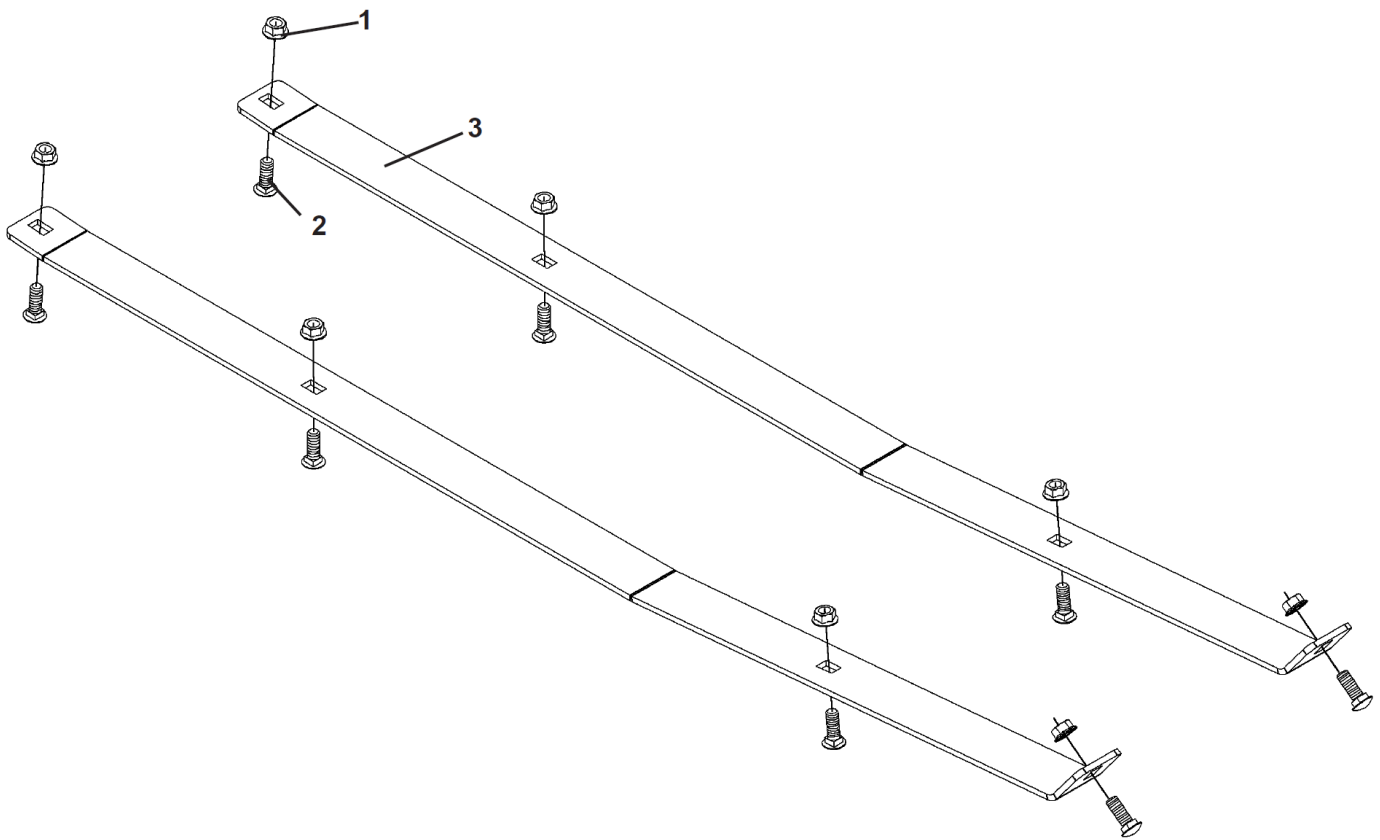
Item	Qty	Part No.	Name	Additional Info
1	1	123726	Blade Carrier - 66"	
2	1	123735	Blade Kit	
3	1	123781	Carbide Tooth Kit	
4	8	10070	.62" UNC X 1.75" Hex Capscrew - GR8	
5	8	10200	.62" Nord-Lock Washer	

66" GSE Series Brush Cutter - 20-34 GPM



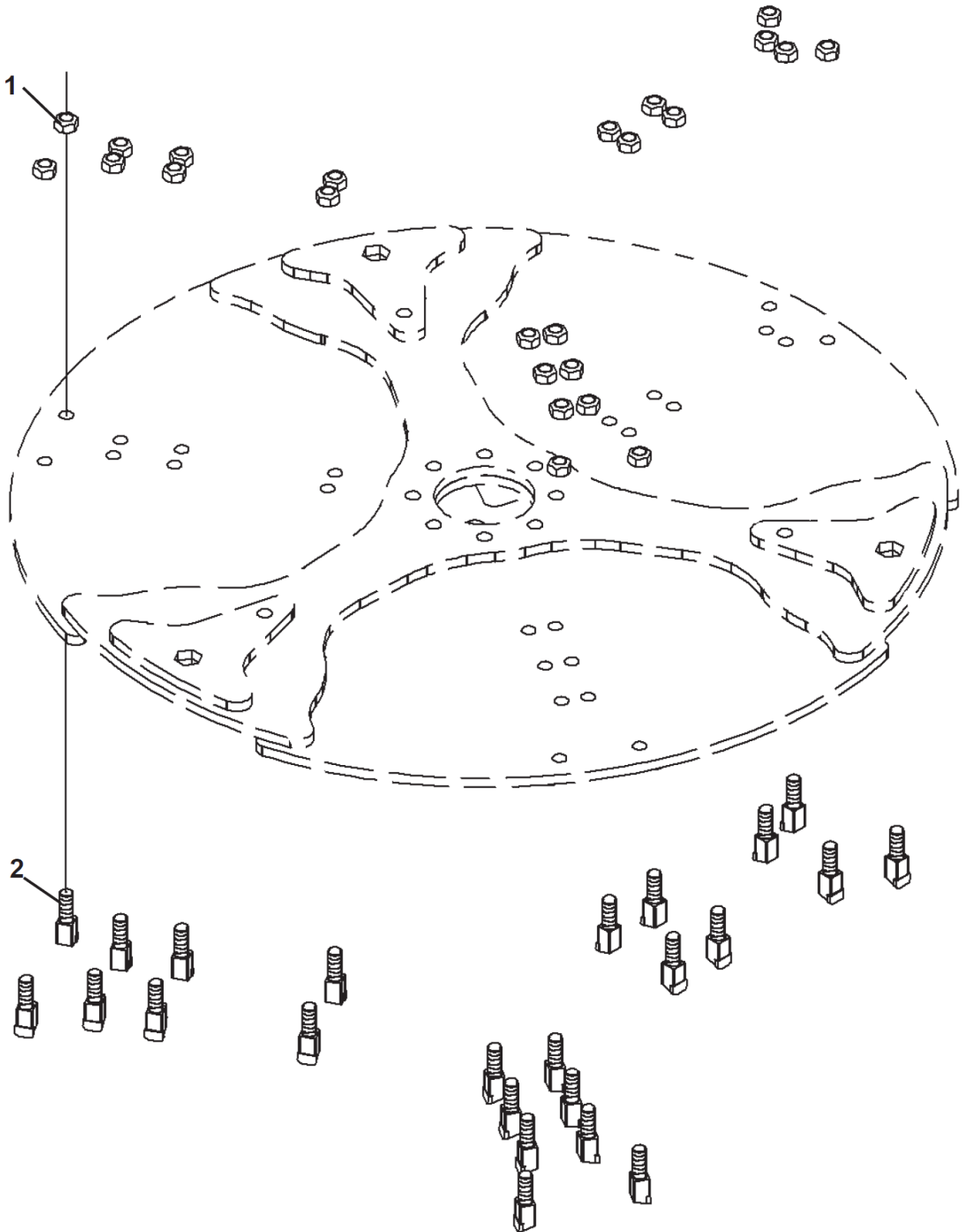
Item	Qty	Part No.	Name	Additional Info
1		VARIES	Item Varies Per Prime Mover	
1	1	22518	Female Quick Coupler .50" Body 12FBo	
1	1	84921	Female Quick Coupler .62" Body 12FBo	
1	1	22520	Female Quick Coupler .75" Body 12FBo	
2		VARIES	Item Varies Per Prime Mover	
2	1	22519	Male Quick Coupler .50" Body 12FBo	
2	1	84922	Male Quick Coupler .62" Body 12FBo	
2	1	22521	Male Quick Coupler .75" Body 12FBo	
3	2	38742	Hose .75" X 96" 12MBo-12MBo	
4	3.5 ft.	34146	Hose Protector Plastic Coil	
5	1	1030	.31" UNC X 3.00" Hex Capscrew	
6	1	1502	.31" Lock Washer	
7	1	22315	Hose Clamp Plate	
8	1	22316	Hose Clamp Cushion	
9	1	123653	Hydraulic Motor Assembly	Disassembly will Void Warranty., Includes Control Valve

66" GSE Series Brush Cutter - 20-34 GPM



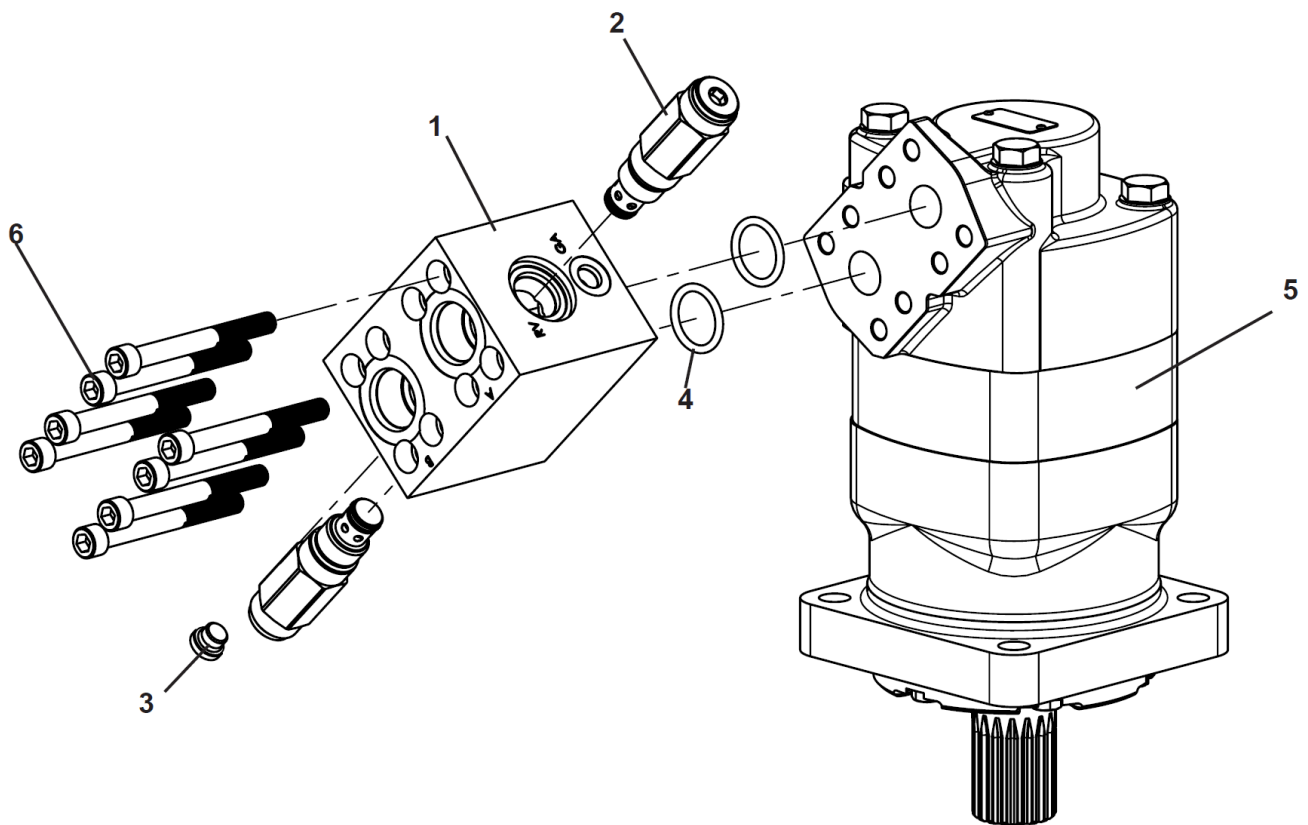
Item	Qty	Part No.	Name	Additional Info
1	8	1790	.50" UNC Serrated Flange Lock Nut	
2	8	1872	.50" UNC X 1.50" Carriage Bolt	
3	2	123545	Skid Shoe Wear Plate	

66" GSE Series Brush Cutter - 20-34 GPM



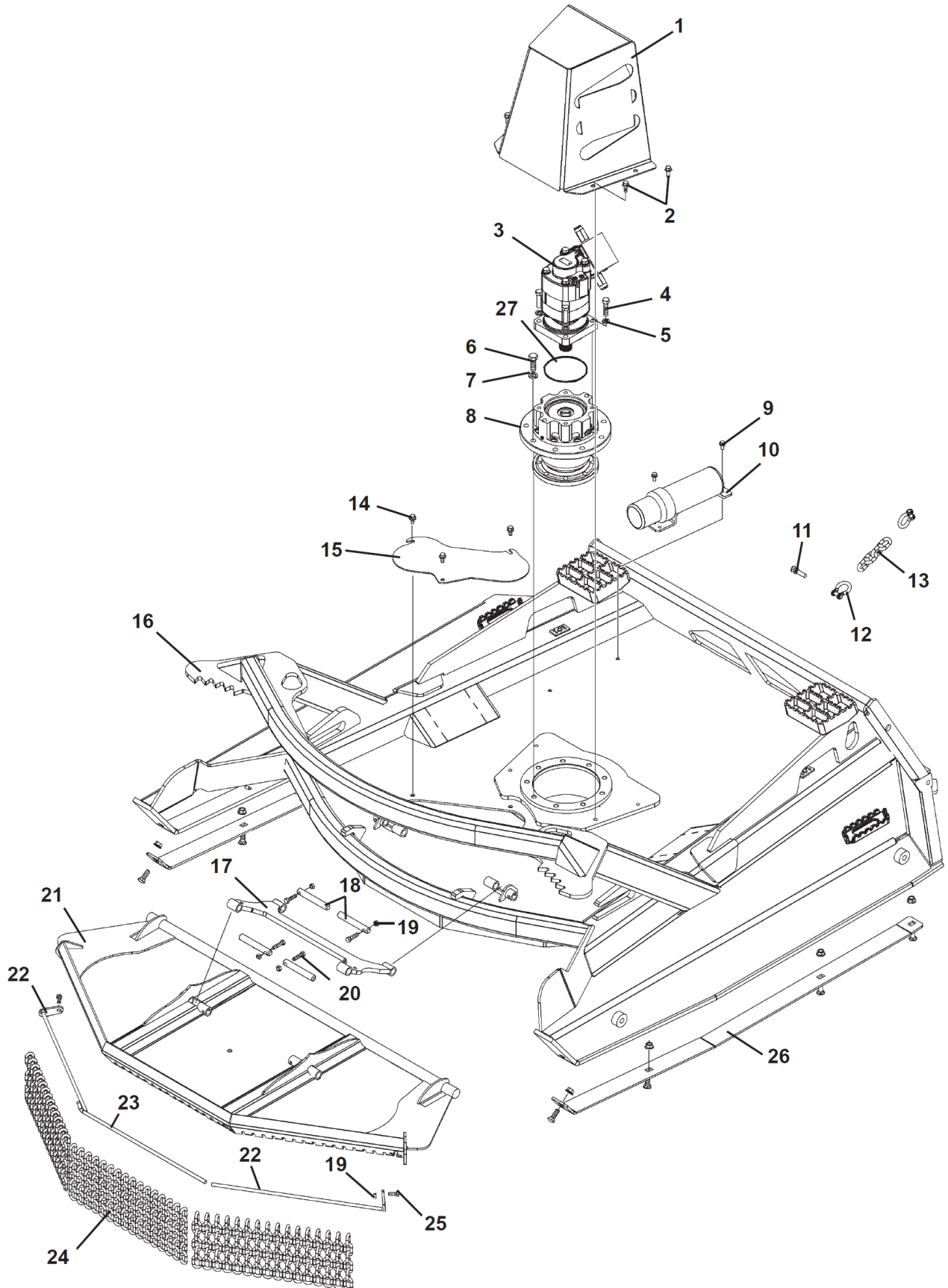
Item	Qty	Part No.	Name	Additional Info
1	24	10003	.62" UNF Deformed Lock Nut	
2	24	19917	Threaded Carbide Tooth	

66" GSE Series Brush Cutter - 20-34 GPM



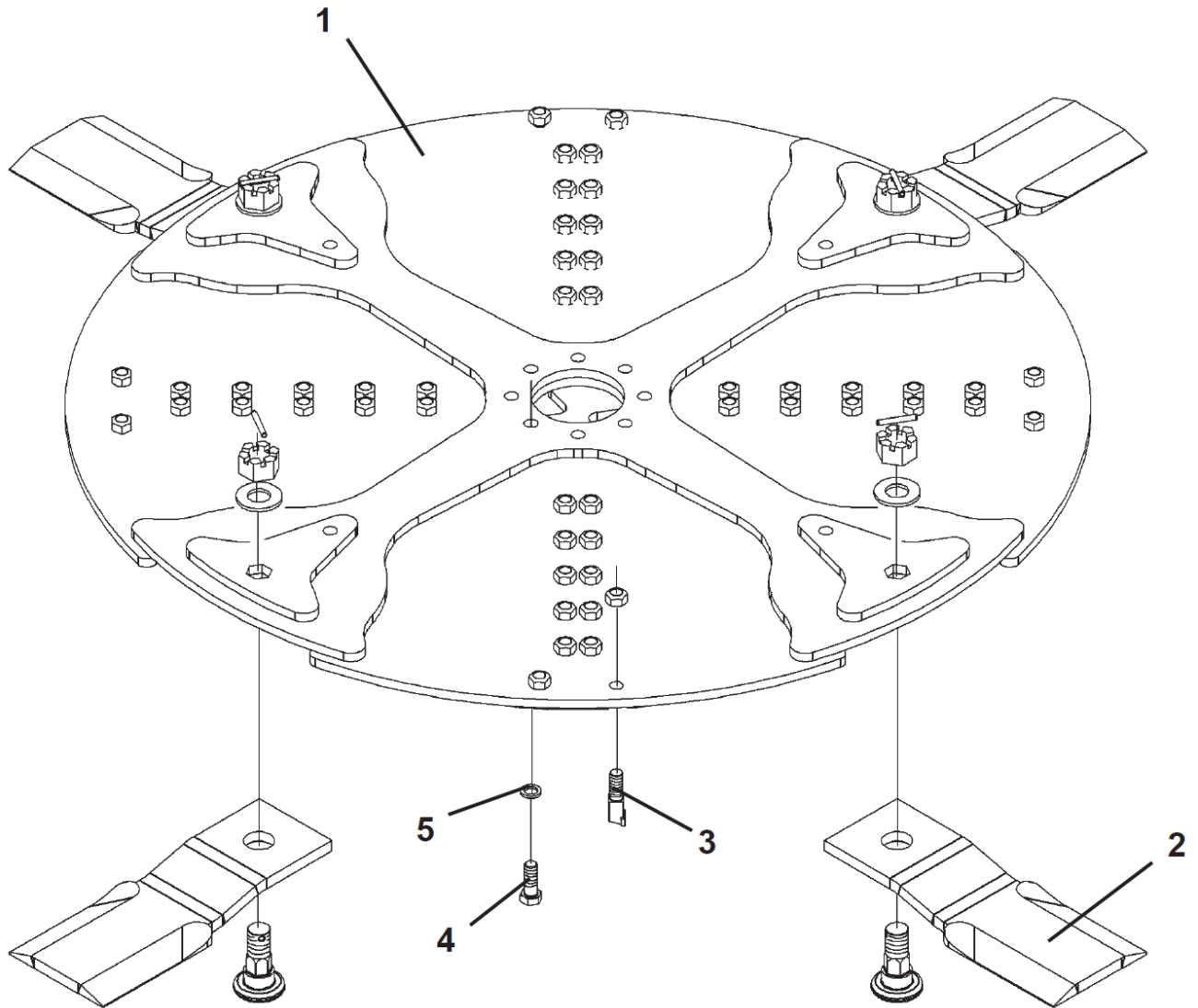
Item	Qty	Part No.	Name	Additional Info
1	1	46440	Valve Assembly	(Includes Items 1 through 4)
2	2	46441	Relief Cartridge Valve @ 3000 PSI	(Torque to 25 ft. lbs.)
2.1	-	46232	Replacement Relief Valve Seal Kit	
3	2	30280	Hex Plug 4MBo	(Torque to 5 ft. lbs.)
4	2	3404	O'Ring	
5	1	123654	Motor	
5.1	-	46404	Shaft Seal Kit	
6	8	10257	.38" UNC X 3.50" Socket Head Capscrew	

72" GSE Series Brush Cutter - 20-34 GPM



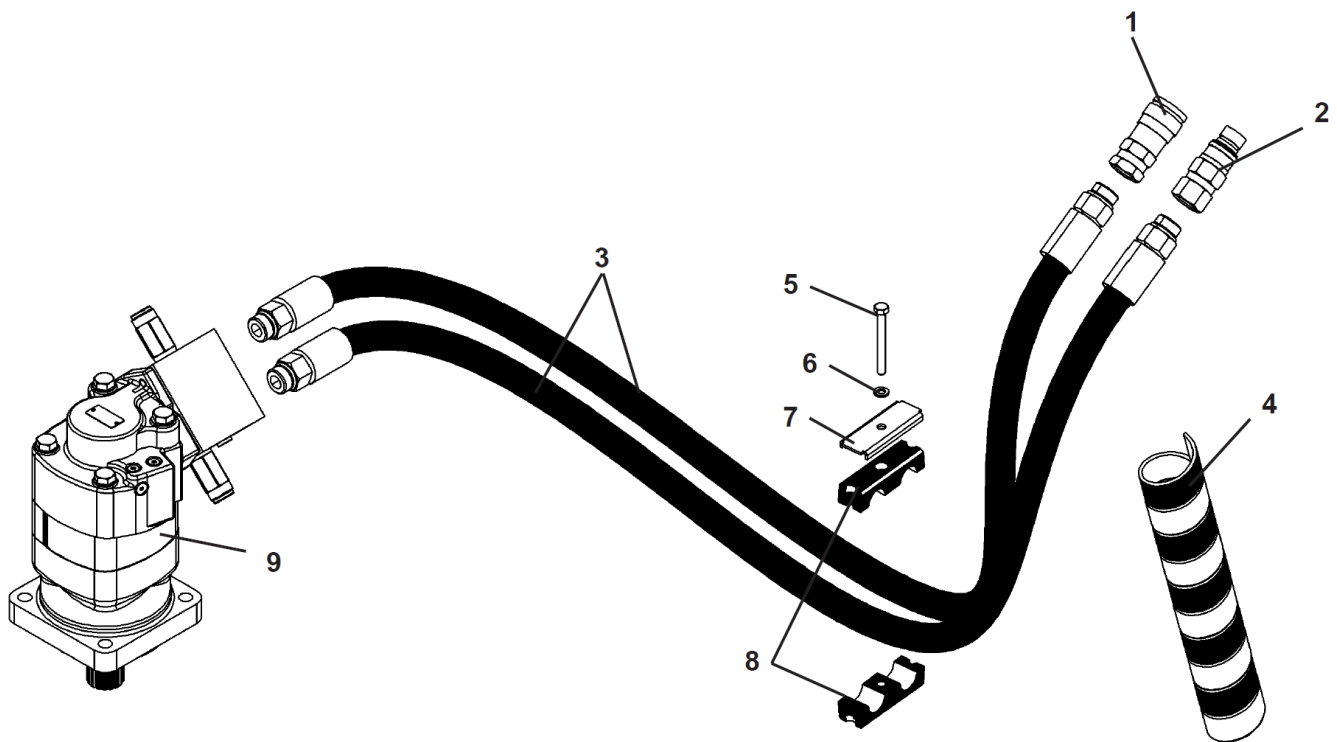
Item	Qty	Part No.	Name	Additional Info
1	1	118931	Replacement Cover with Decals	
2	4	10221	.50" UNC X 1.25" Flange Head Capscrew	
3	1	123653	Hydraulic Motor Assembly	Disassembly will Void Warranty., Includes Control Valve
4	4	1781	.50" UNC X 2.00" Hex Capscrew - GR8	
5	4	1505	.50" Lock Washer	
6	9	10070	.62" UNC X 1.75" Hex Capscrew - GR8	
7	9	1506	.62" Lock Washer	
8	1	117611	Auburn Bearing Housing	
9	2	1930	.31" UNC X .75" Flange Head Capscrew	
10	1	25453	Manual Storage Tube	
11	1	10280	.44" UNC X 1.50" Tork Bolt Pin	
12	2	89968	Shackle	
13	1	18169	Lift Limiting Chain	
14	3	1953	.38" UNC X .75" Flange Head Capscrew	
15	1	116627	Access Cover	
16	1	123592	Deck	
17	1	116628	Pivot Link	
18	4	13-50267	Pivot Pin	
19	6	1837	.38" UNC Deformed Lock Nut	
20	4	1045	.38" UNC X 1.50" Hex Capscrew	
21	1	116613	Front Shield	
22	2	116805	Bolted Chain Retention Rod	
23	1	116804	Chain Retention Rod	
24	48	15326	Front Chain	
25	2	1043	.38" UNC X 1.00" Hex Capscrew	
26	1	117192	Wear Plate Kit	
27	1	22609	O-Ring	

72" GSE Series Brush Cutter - 20-34 GPM



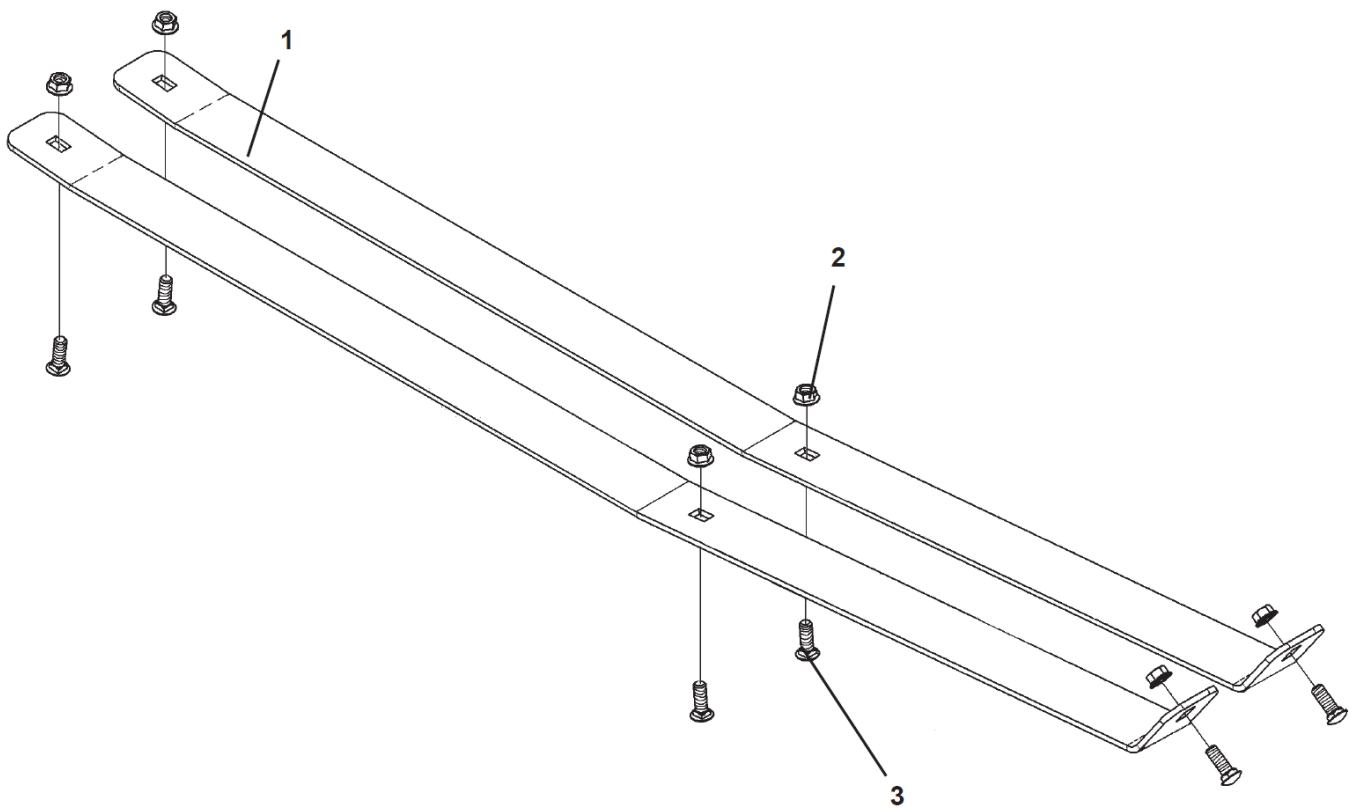
Item	Qty	Part No.	Name	Additional Info
1	1	123737	Blade Carrier - 72"	
2	1	123736	Blade Kit	
3	1	123733	Carbide Tooth Kit	
4	8	10070	.62" UNC X 1.75" Hex Capscrew - GR8	
5	8	10200	.62" Nord-Lock Washer	

72" GSE Series Brush Cutter - 20-34 GPM



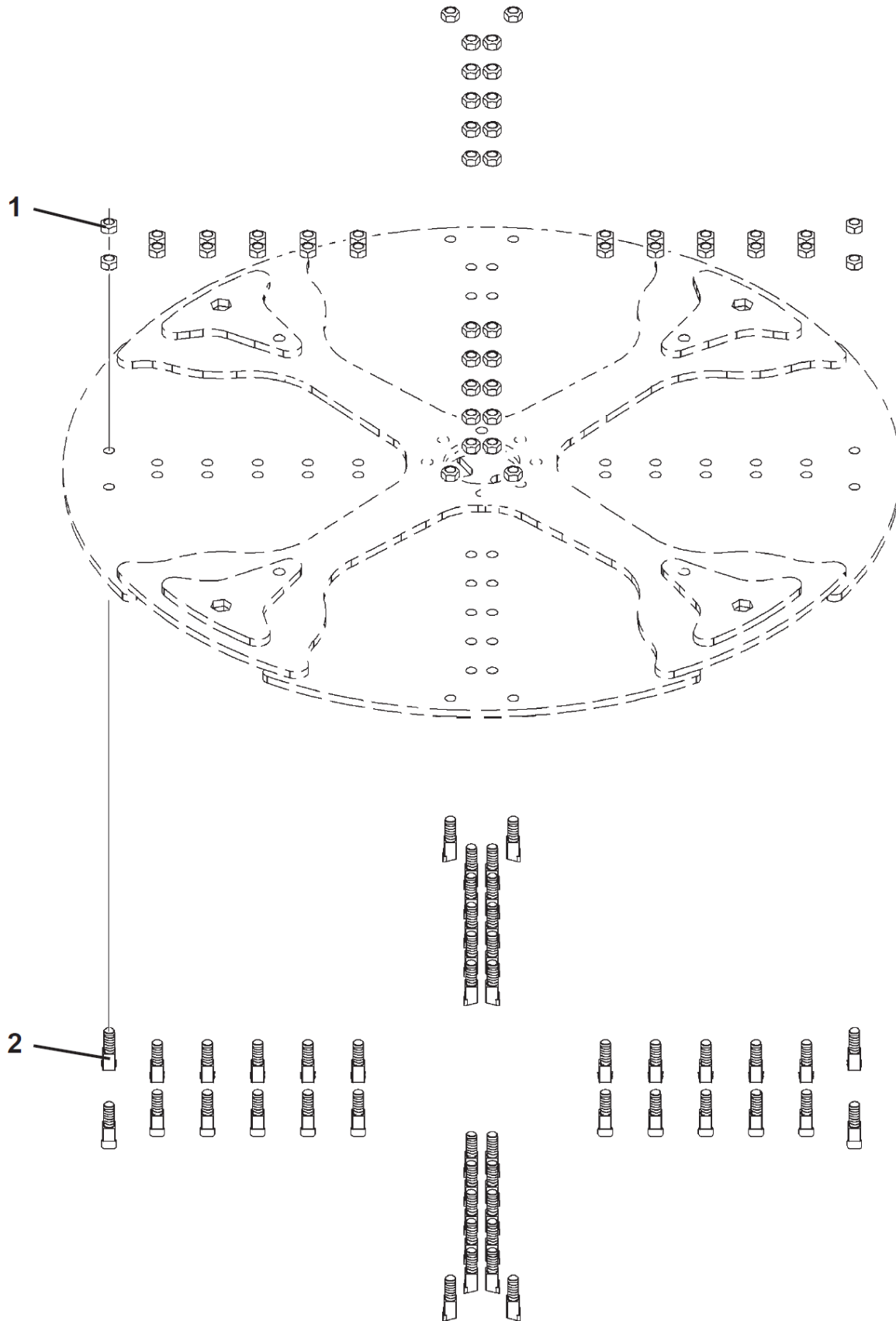
Item	Qty	Part No.	Name	Additional Info
1		VARIES	Item Varies Per Prime Mover	
1	1	22518	Female Quick Coupler .50" Body 12FBo	
1	1	84921	Female Quick Coupler .62" Body 12FBo	
1	1	22520	Female Quick Coupler .75" Body 12FBo	
2		VARIES	Item Varies Per Prime Mover	
2	1	22519	Male Quick Coupler .50" Body 12FBo	
2	1	84922	Male Quick Coupler .62" Body 12FBo	
2	1	22521	Male Quick Coupler .75" Body 12FBo	
3	2	38742	Hose .75" X 96" 12MBo-12MBo	
4	3.5 ft.	34146	Hose Protector Plastic Coil	
5	1	1030	.31" UNC X 3.00" Hex Capscrew	
6	1	1502	.31" Lock Washer	
7	1	22315	Hose Clamp Plate	
8	1	22316	Hose Clamp Cushion	
9	1	123653	Hydraulic Motor Assembly	Disassembly will Void Warranty., Includes Control Valve

72" GSE Series Brush Cutter - 20-34 GPM



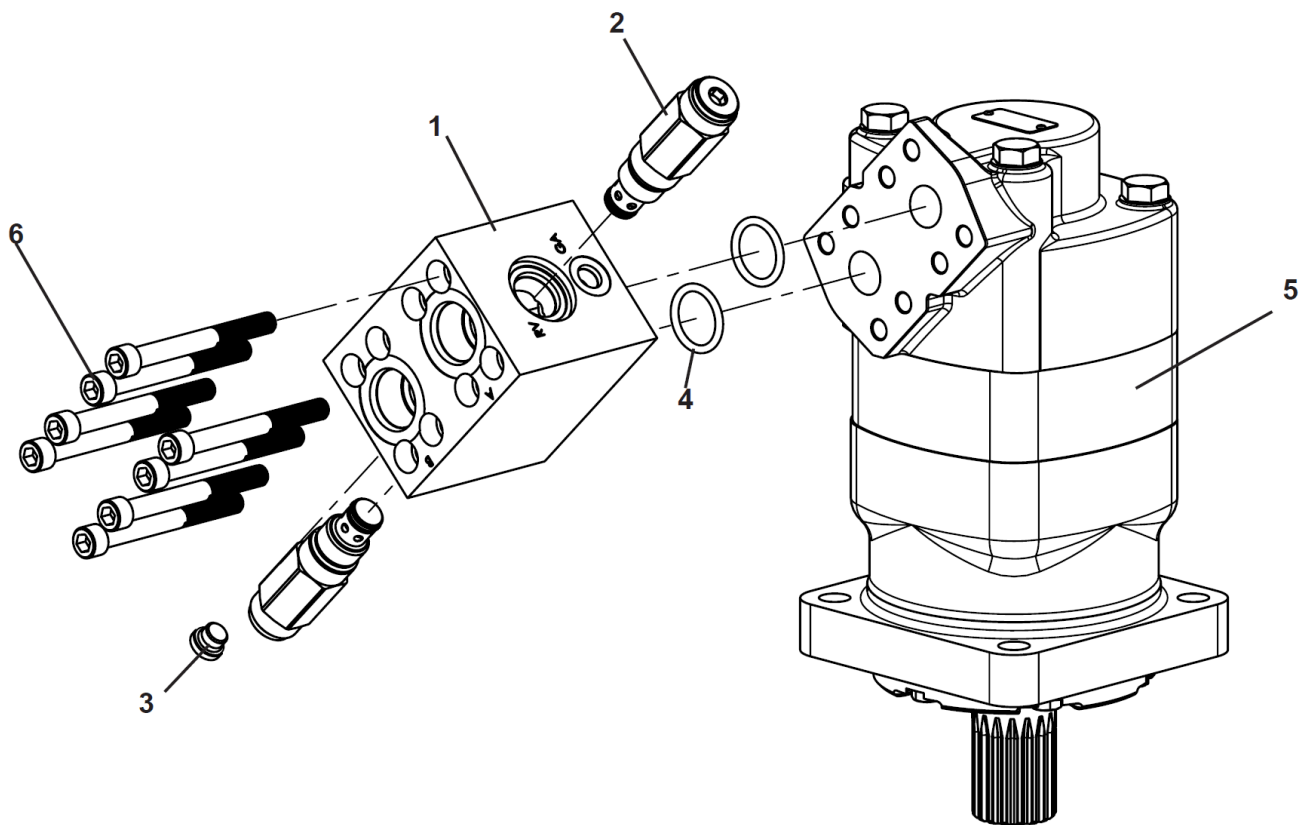
Item	Qty	Part No.	Name	Additional Info
1	2	117191	Skid Shoe Wear Plate	
2	6	1790	.50" UNC Serrrated Flange Lock Nut	
3	6	1872	.50" UNC X 1.50" Carriage Bolt	

72" GSE Series Brush Cutter - 20-34 GPM



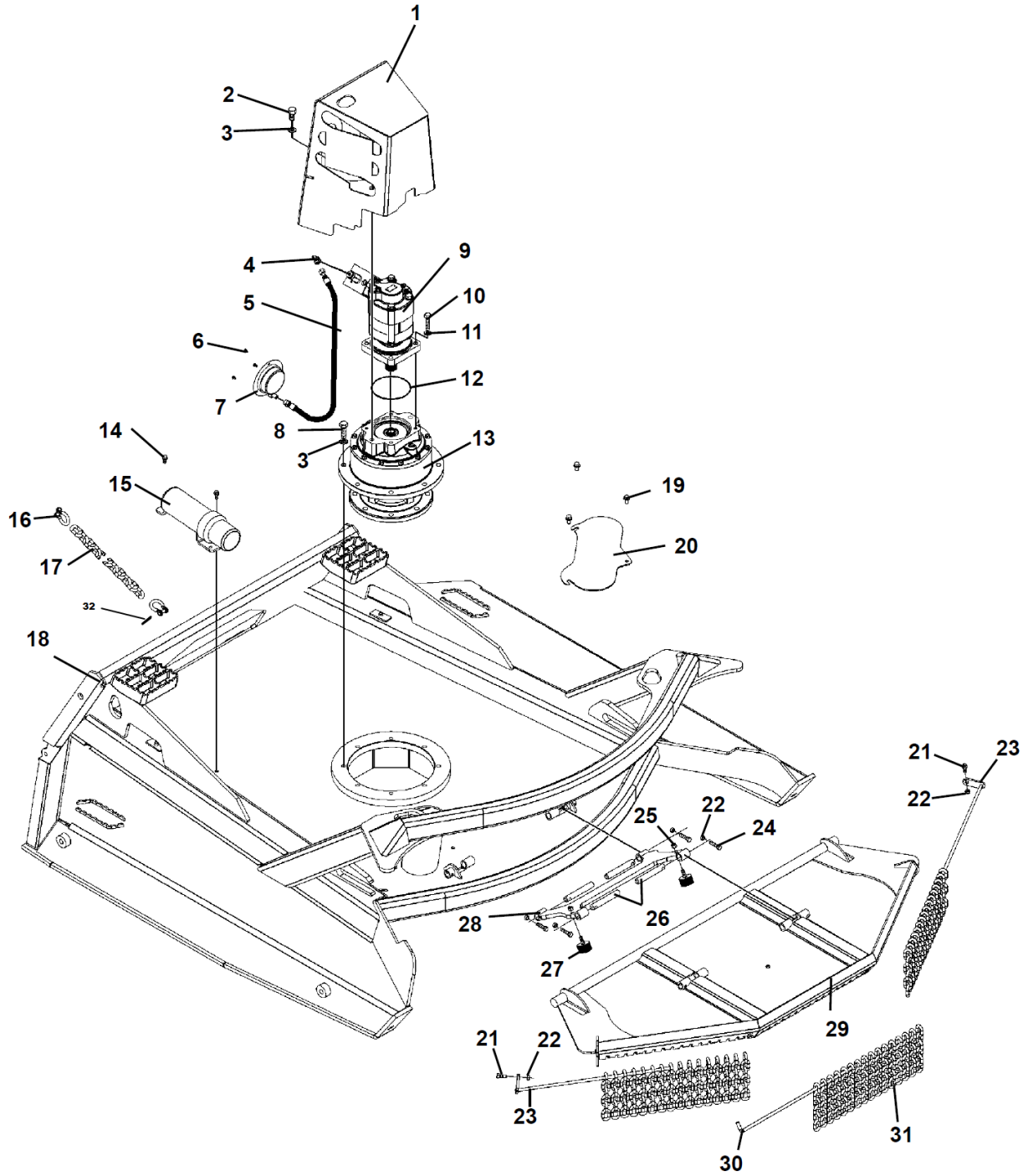
Item	Qty	Part No.	Name	Additional Info
1	48	10003	.62" UNF Deformed Lock Nut	
2	48	19917	Threaded Carbide Tooth	

72" GSE Series Brush Cutter - 20-34 GPM

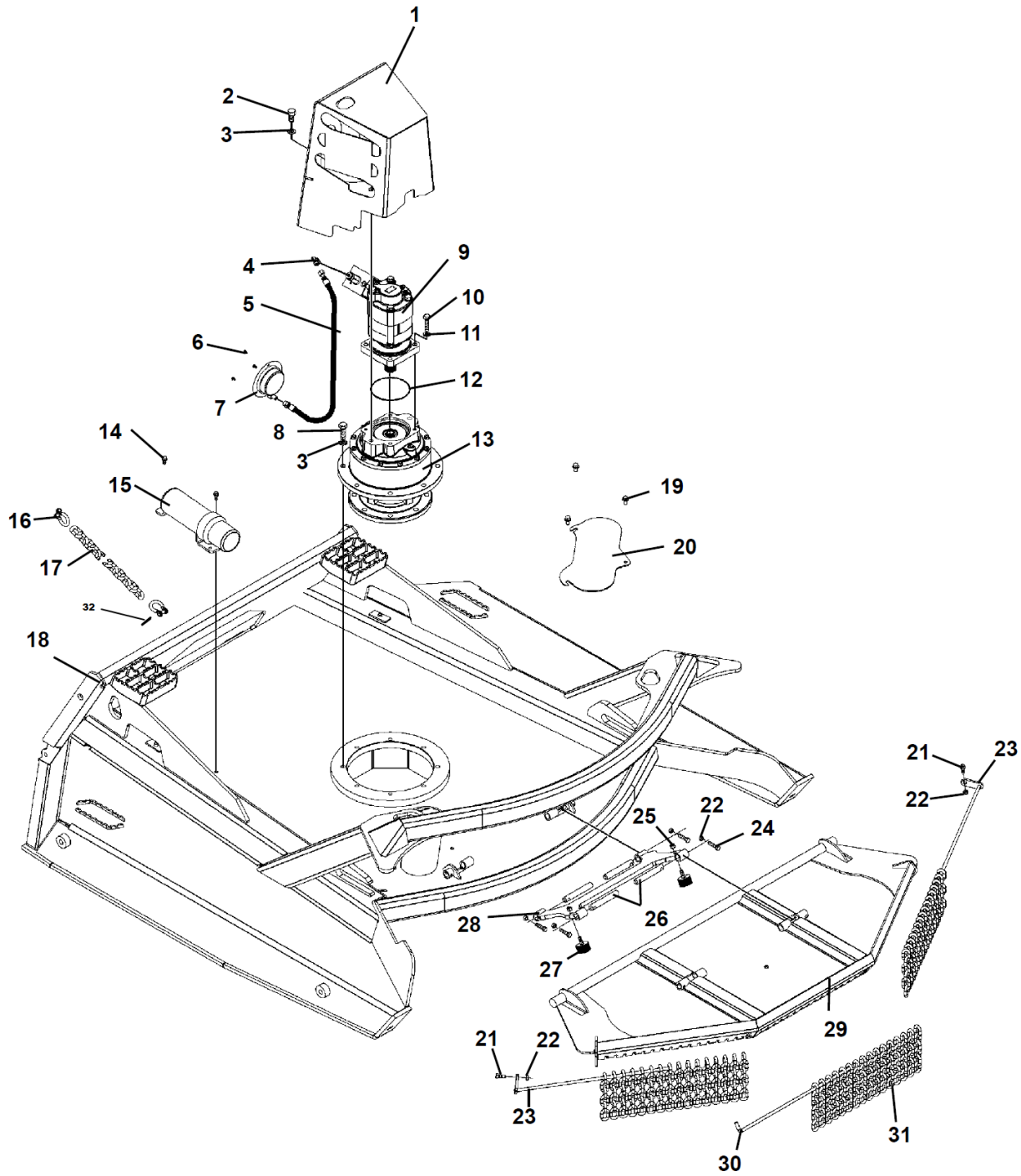


Item	Qty	Part No.	Name	Additional Info
1	1	46440	Valve Assembly	(Includes Items 1 through 4)
2	2	46441	Relief Cartridge Valve @ 3000 PSI	(Torque to 25 ft. lbs.)
2.1	-	46232	Replacement Relief Valve Seal Kit	
3	2	30280	Hex Plug 4MBo	(Torque to 5 ft. lbs.)
4	2	3404	O'Ring	
5	1	123654	Motor	
5.1	-	46404	Shaft Seal Kit	
6	8	10257	.38" UNC X 3.50" Socket Head Capscrew	

72" GS Series Brush Cutter - 30-45 GPM

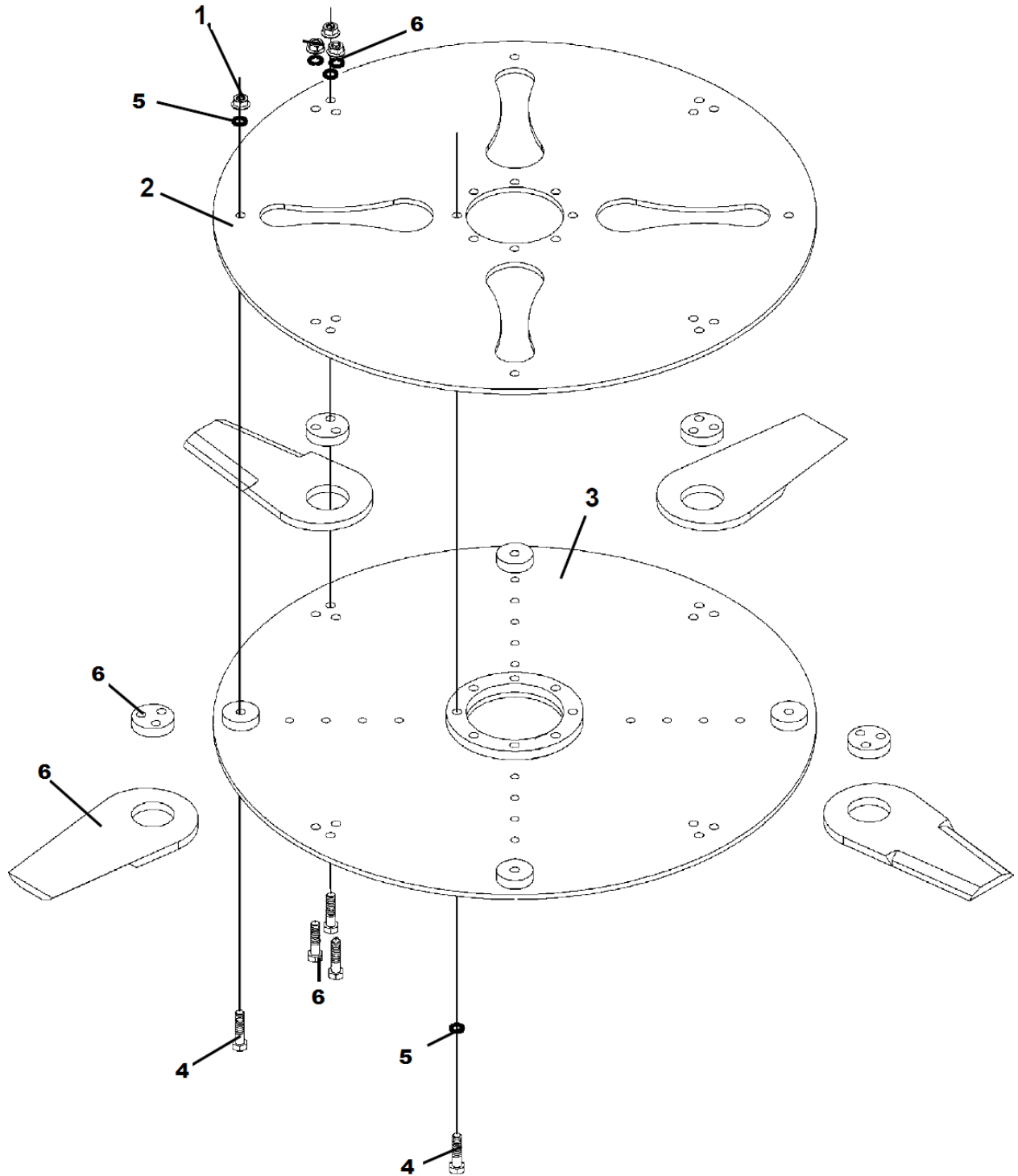


Item	Qty	Part No.	Name	Additional Info
1	1	117135	Motor Cover	
2	2	1113	.62" UNC X 1.25" Hex Capscrew	
3	10	1506	.62" Lock Washer	
4	1	30441	90° Elbow 4MBo-4MORFS	
5	1	38738	Hose .25" X 24" 6FFS-4FP	
6	3	10255	#10-24 X .38" Self Tapping Screw	
7	1	200-155	Pressure Gauge	
8	8	10070	.62" UNC X 1.75" Hex Capscrew - GR8	
9	1	123765	Hydraulic Motor Assembly	Includes Control Valve (Valve updated - Serial Number 463818 & UP) Disassembly will Void Warranty.
10	4	1781	.50" UNC X 2.00" Hex Capscrew - GR8	
11	4	1505	.50" Lock Washer	
12	1	22609	O-Ring	
13	1	117145	Drive Bearing Housing	
14	2	1930	.31" UNC X .75" Flange Head Capscrew	
15	1	25453	Manual Storage Tube	
16	2	89968	Shackle	
17	1	18169	Lift Limiting Chain	
18	1	117130	Deck	
19	3	1953	.38" UNC X .75" Flange Head Capscrew	
20	1	116627	Access Cover	
21	2	1043	.38" UNC X 1.00" Hex Capscrew	
22	6	1837	.38" UNC Deformed Lock Nut	
23	2	116805	Bolted Chain Retention Rod	
24	4	1045	.38" UNC X 1.50" Hex Capscrew	
25	2	2005510	.38" UNC Serrated Flange Lock Nut	
26	4	13-50267	Pivot Pin	
27	2	102064	Rubber Bumper	
28	1	116628	Pivot Link	
29	1	116613	Front Shield	
30	1	116804	Chain Retention Rod	



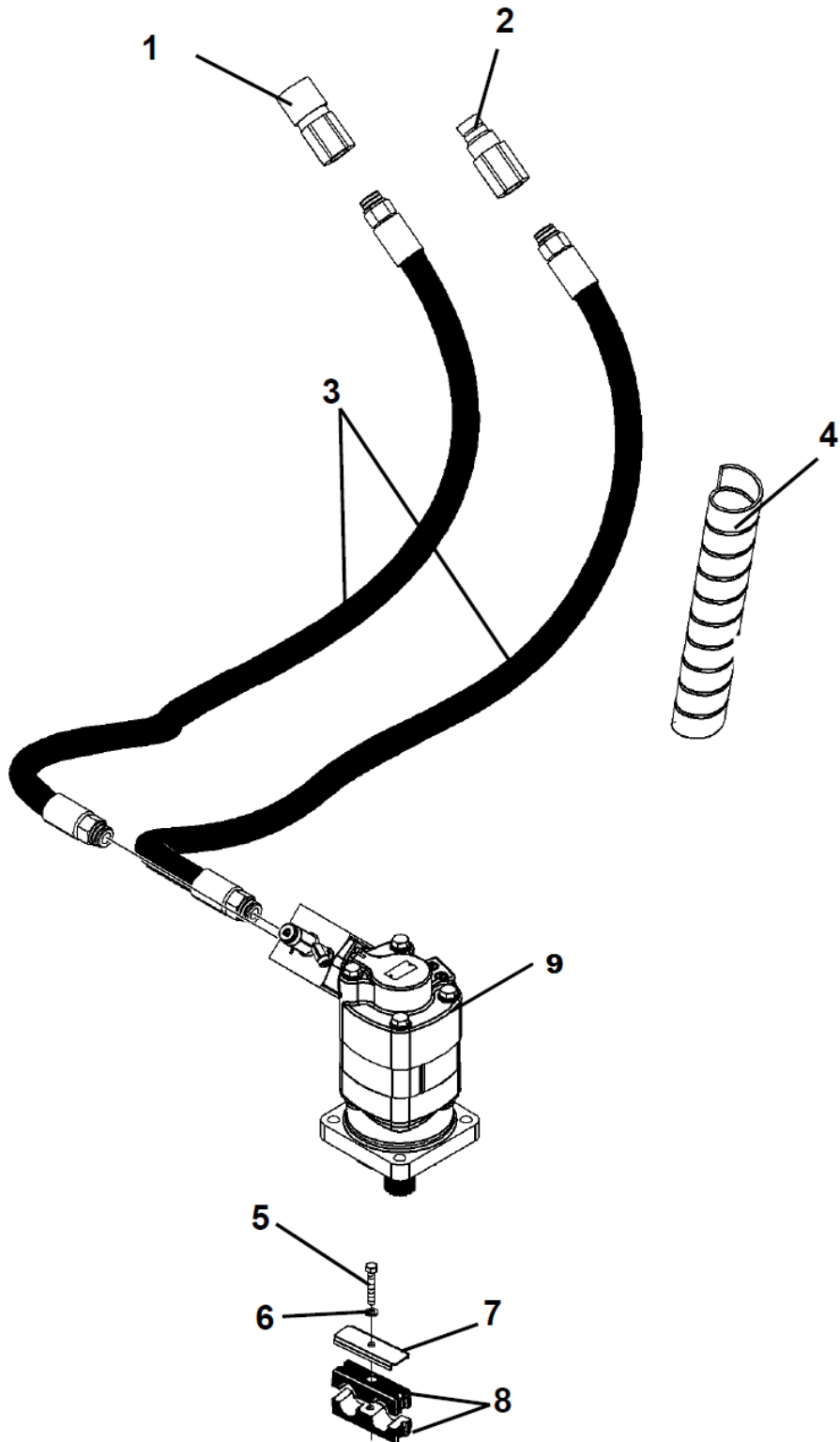
Item	Qty	Part No.	Name	Additional Info
31	48	15326	Front Chain	
32	1	10280	.44" UNC X 1.50" Tork Bolt Pin	

72" GS Series Brush Cutter - 30-45 GPM



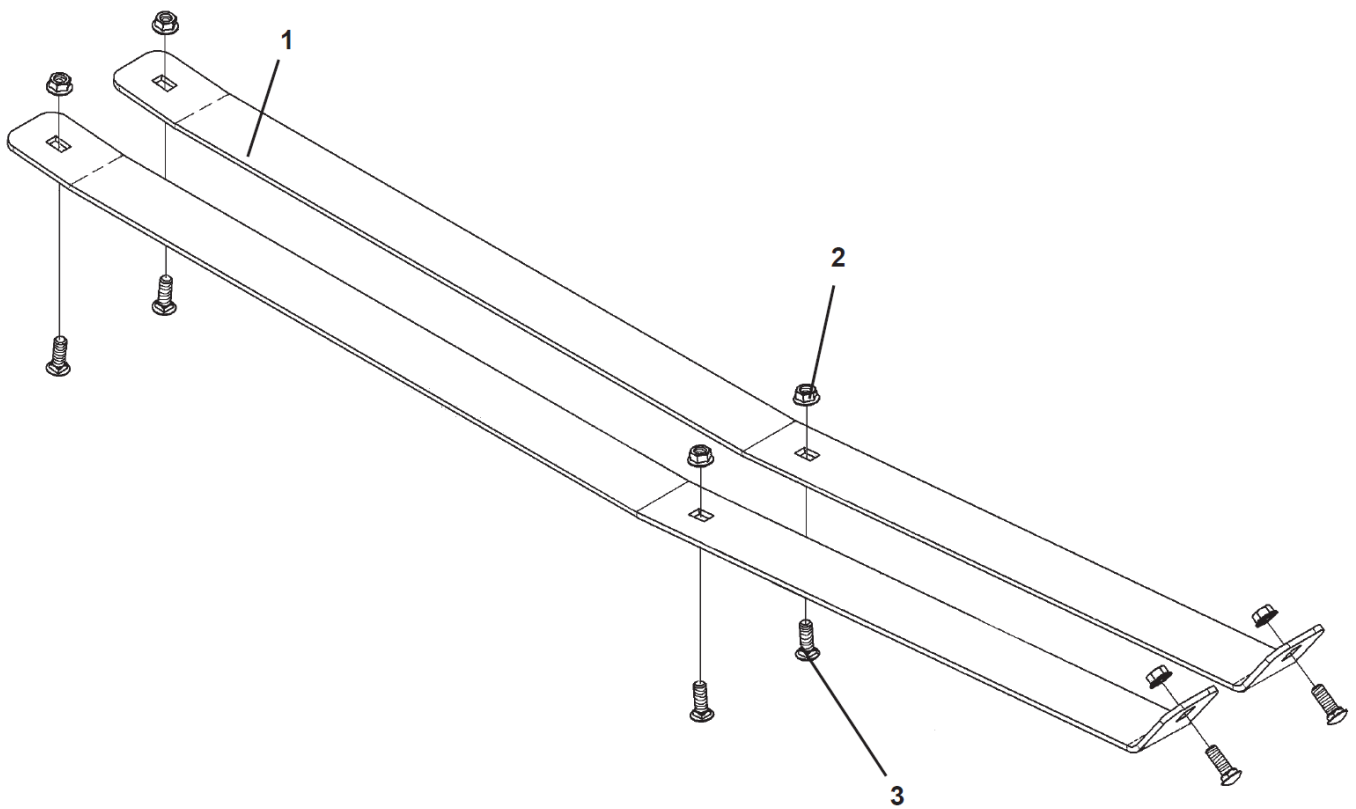
Item	Qty	Part No.	Name	Additional Info
1	4	1936	.75" UNC Deformed Lock Nut	
2	1	117139	Upper Blade Carrier	
3	1	117140	Lower Blade Carrier	
4	12	10060	.75" UNC X 3.00" Hex Capscrew - GR8	
5	12	10191	.75" Nord Lock Washer	
6	1	117194	Blade Kit	

72" GS Series Brush Cutter - 30-45 GPM



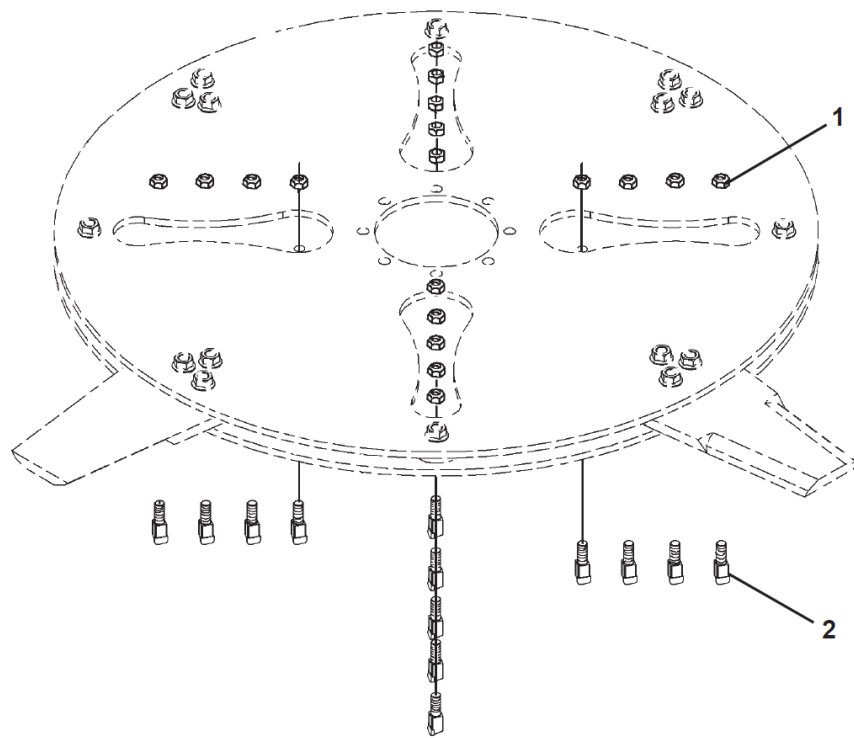
Item	Qty	Part No.	Name	Additional Info
1		VARIES	Item Varies Per Prime Mover	
1	1	22518	Female Quick Coupler .50" Body 12FBo	
1	1	84921	Female Quick Coupler .62" Body 12FBo	
1	1	22520	Female Quick Coupler .75" Body 12FBo	
2	-	VARIES	Item Varies Per Prime Mover	
2	1	22519	Male Quick Coupler .50" Body 12FBo	
2	1	84922	Male Quick Coupler .62" Body 12FBo	
2	1	22521	Male Quick Coupler .75" Body 12FBo	
3	2	38742	Hose .75" X 96" 12MBo-12MBo	
4	3.5 ft.	34146	Hose Protector Plastic Coil	
5	1	1030	.31" UNC X 3.00" Hex Capscrew	
6	1	1502	.31" Lock Washer	
7	1	22315	Hose Clamp Plate	
8	1	22316	Hose Clamp Cushion	
9	1	123765	Hydraulic Motor Assembly	Includes Control Valve (Valve updated - Serial Number 463818 & UP) Disassembly will Void Warranty.

72" GS Series Brush Cutter - 30-45 GPM



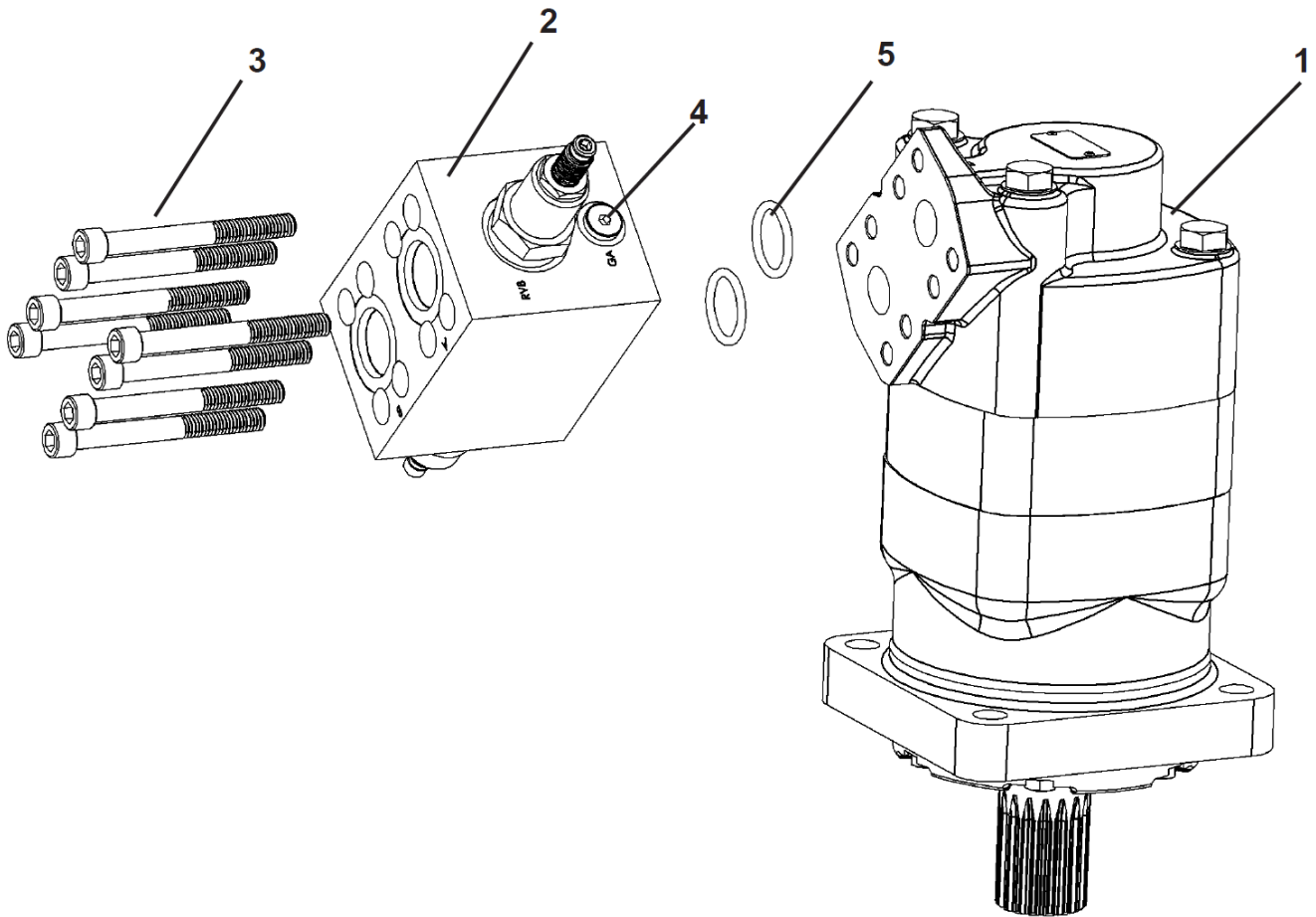
Item	Qty	Part No.	Name	Additional Info
1	2	117191	Skid Shoe Wear Plate	
2	6	1790	.50" UNC Serrrated Flange Lock Nut	
3	6	1872	.50" UNC X 1.50" Carriage Bolt	

72" GS Series Brush Cutter - 30-45 GPM



Item	Qty	Part No.	Name	Additional Info
REF	-	117193	Carbide Tooth Kit	
1	18	10003	.62" UNF Deformed Lock Nut	
2	18	19917	Threaded Carbide Tooth	

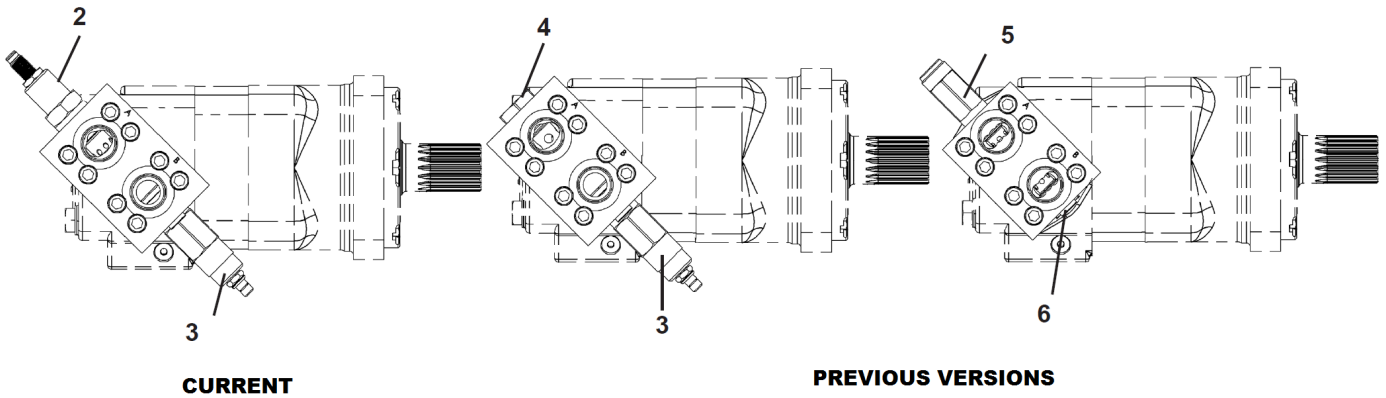
72" GS Series Brush Cutter - 30-45 GPM



Item	Qty	Part No.	Name	Additional Info
1	1	116802	Hydraulic Motor 11.9 CID	
2	1	46424	Control Valve	(Includes Items 3 through 5)
3	8	10257	.38" UNC X 3.50" Socket Head Capscrew	(Torque to 32 ft. lbs.)
4	2	30280	Hex Plug 4MBo	(Torque to 5 ft. lbs.)
5	2	3404	O'Ring	

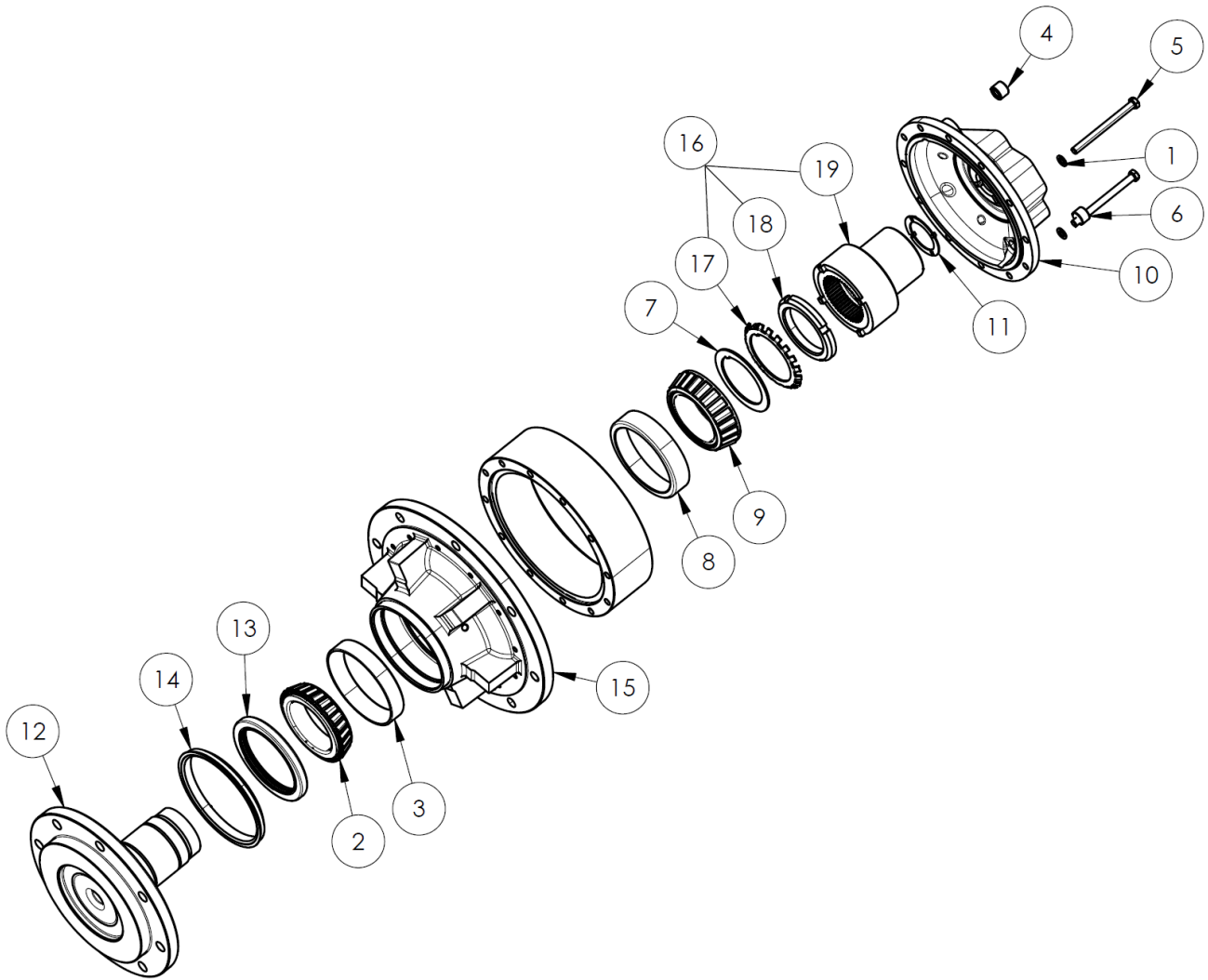
72" GS Series Brush Cutter - 30-45 GPM

CONTROL VALVE IDENTIFICATION



Item	Qty	Part No.	Name	Additional Info
1	-	VARIES	Control Valve	Service parts vary per valve assembly. Identify your valve before ordering service parts.
2	-	46426	Relief Valve Cartridge - 1500 PSI	(Torque to 75-80 ft lbs.)
2.1	-	45864	Check Valve Seal Kit	
3	-	46382	Anti-Shock Relief Valve Cartridge	(Torque to 45-50 ft lbs.)
3.1	-	46385	Seal Kit	
4	-	46384	Check Valve	(Torque to 30 ft lbs.)
4.1	-	46386	Seal Kit	
5	-	46153	Relief Cartridge Valve - 3800 PSI	(Torque to 25 ft lbs.)
5.1	-	46213	Replacement Seal Kit	
6	-	46154	Cartridge Valve	(Torque to 25 ft lbs.)
6.1	-	46214	Replacement Seal Kit	

72" GS Series Brush Cutter - 30-45 GPM



Item	Qty	Part No.	Name	Additional Info
1	12	22432	Flat Washer	See Comments for Warranty Information.
2	1	22446	Outer Bearing Cone	See Comments for Warranty Information.
3	1	22447	Outer Bearing Cup	See Comments for Warranty Information.
4	1	22457	Magnetic Plug	See Comments for Warranty Information.
5	12	22460	.38" UNC X 4.50" SocketHead Capscrew - GR8	See Comments for Warranty Information.
6	1	22478	Pipe Plug	See Comments for Warranty Information.
7	1	22482	Thrust Washer	See Comments for Warranty Information.
8	1	114095	Bearing Cup	See Comments for Warranty Information.
9	1	114096	Bearing Cone	See Comments for Warranty Information.
10	1	117257	Input Housing	See Comments for Warranty Information.
11	1	117258	Special Washer	See Comments for Warranty Information.
12	1	117260	Output Shaft	See Comments for Warranty Information.
13	1	117268	Output Shaft Seal	See Comments for Warranty Information.
14	1	117281	Boot Seal	See Comments for Warranty Information.
15	1	120460	Hub	See Comments for Warranty Information.
16	1	121110	Shaft Replacement Kit	See Comments for Warranty Information.
17	1	NSS	Lock Washer	See Comments for Warranty Information.
18	1	NSS	Lock Nut	See Comments for Warranty Information.
19	1	NSS	Adapter Shaft	See Comments for Warranty Information.

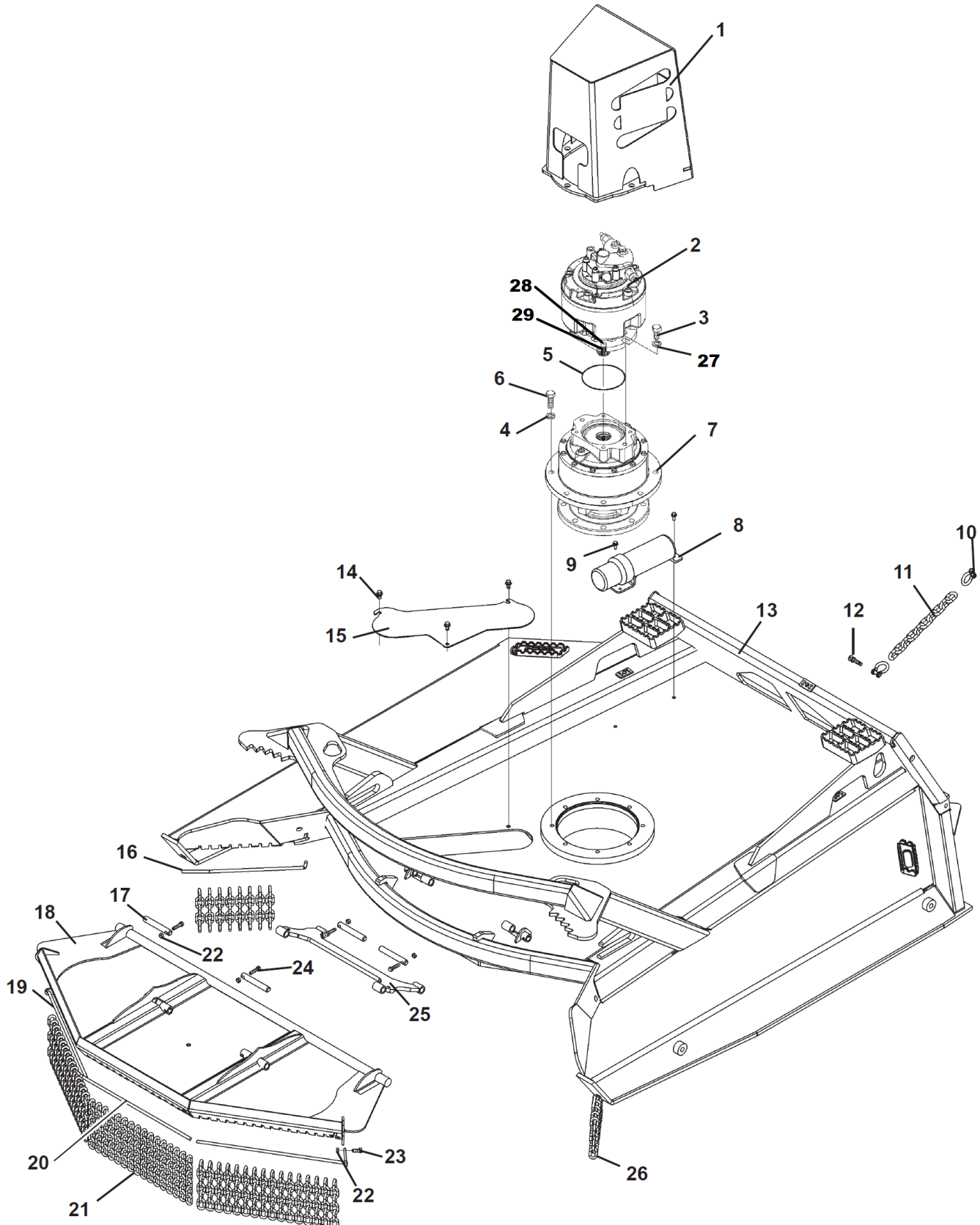
Comments for Page: Drive Bearing Housing - 117145

Any Attempt to Disassemble or Make Field Repairs to the Drive Housing will Void Warranty. Contact Your Dealer or

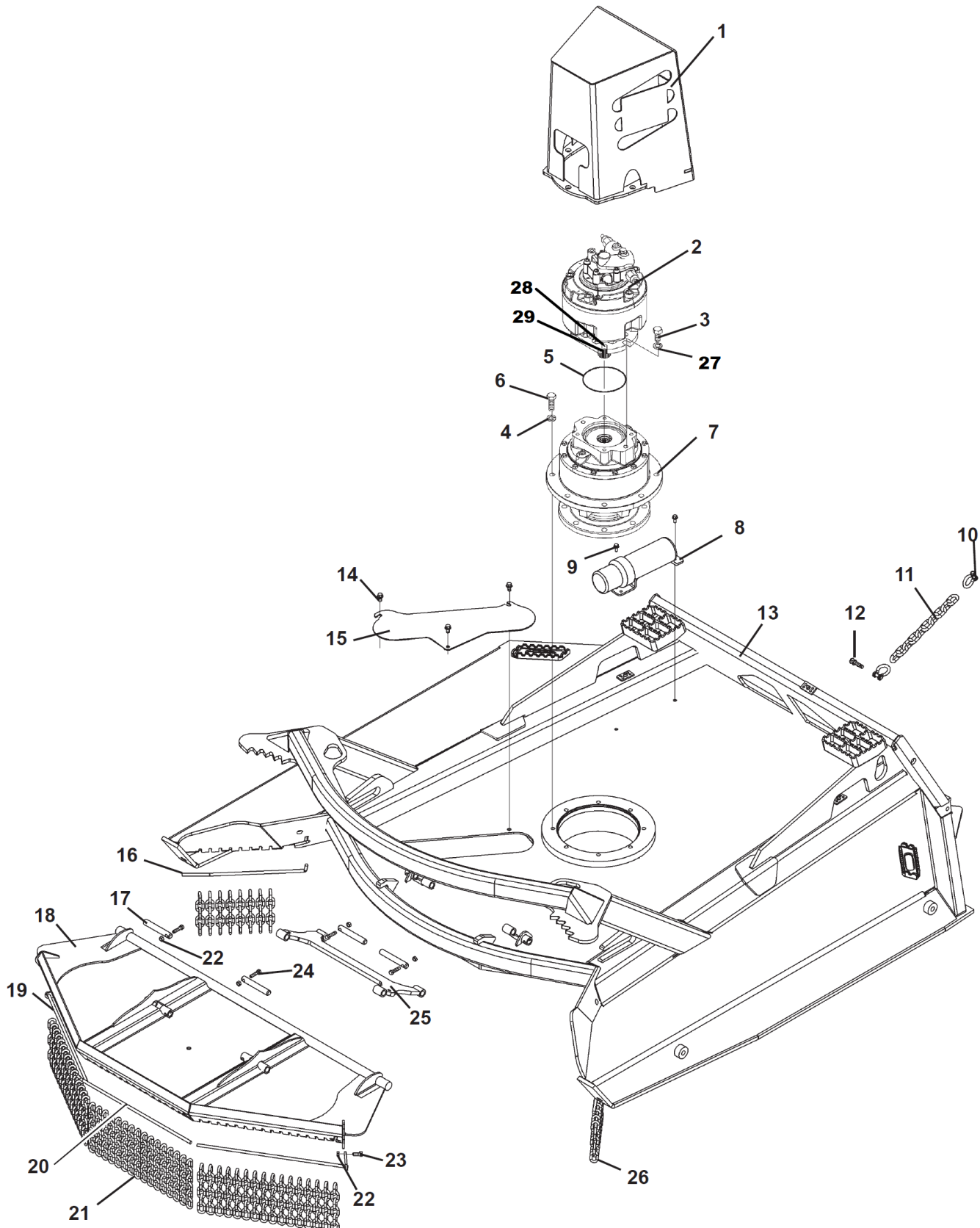
Distributor.

This page intentionally left blank

78" GS Series Brush Cutter - 30-45 GPM

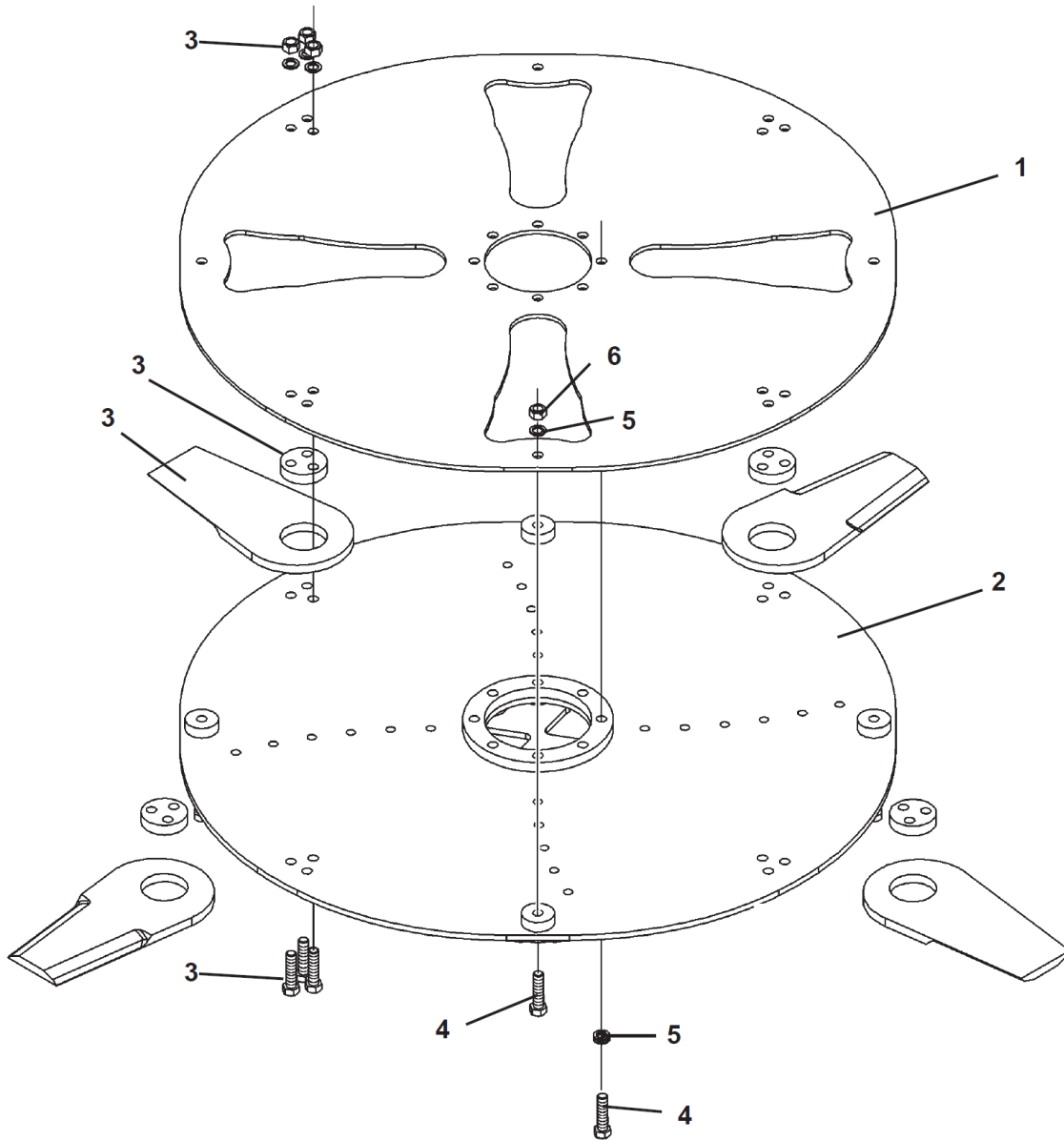


Item	Qty	Part No.	Name	Additional Info
1	123380	123380	Motor Cover	
2	1	123348	Hydraulic Motor 12.26 CID	
2.1	1	46437	Replacement Relief Cartridge @ 1500 PSI (Outlet Port)	
2.2	1	46438	Replacement Relief Cartridge @ 3800 PSI (Inlet Port)	
2.3	2	46439	Cartridge Valve Seal Kit	
2.4	1	46407	Motor Shaft Seal Kit	
3	2	10310	.62" UNC X 1.50" Flange Head Capscrew	
4	8	1506	.62" Lock Washer	
5	1	22609	O-Ring	
6	8	10070	.62" UNC X 1.75" Hex Capscrew - GR8	
7	1	117145	Drive Bearing Housing	
8	1	25453	Manual Storage Tube	
9	2	1930	.31" UNC X .75" Flange Head Capscrew	
10	2	89968	Shackle	
11	1	18169	Lift Limiting Chain	
12	1	10280	.44" UNC X 1.50" Tork Bolt Pin	
13	1	123602	Deck	
14	3	1953	.38" UNC X .75" Flange Head Capscrew	
15	1	123353	Access Cover	
16	2	123352	Side Chain Retention Rod	
17	4	13-50267	Pivot Pin	
18	1	116613	Front Shield	
19	2	116805	Bolted Chain Retention Rod	
20	1	116804	Chain Retention Rod	
21	48	15326	Front Chain	
22	6	1837	.38" UNC Deformed Lock Nut	
23	2	1043	.38" UNC X 1.00" Hex Capscrew	
24	4	1045	.38" UNC X 1.50" Hex Capscrew	
25	1	116628	Pivot Link	
26	16	123351	Inside Chain	
27	2	10312	.62" Nord-Lock Washer SP	



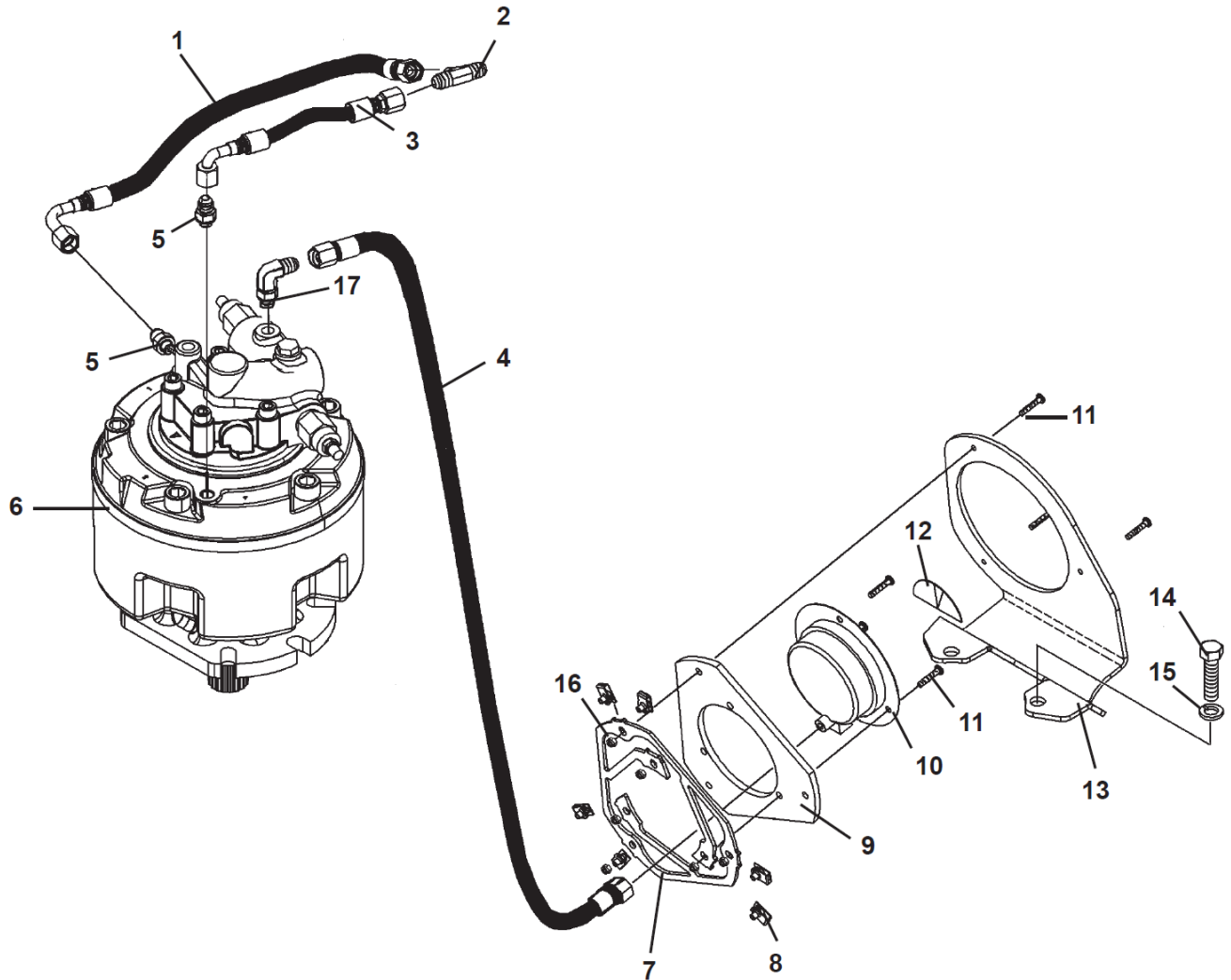
Item	Qty	Part No.	Name	Additional Info
28	2	10308	.50" UNC X 1.50" Flange Head Capscrew - GR8	
29	2	10311	.50" Nord-Lock Washer SP	

78" GS Series Brush Cutter - 30-45 GPM



Item	Qty	Part No.	Name	Additional Info
1	1	123626	Upper Blade Carrier	
2	1	123627	Lower Blade Carrier	
3	1	117194	Blade Kit	
4	12	10060	.75" UNC X 3.00" Hex Capscrew - GR8	
5	12	10191	.75" Nord Lock Washer	
6	4	1936	.75" UNC Deformed Lock Nut	

78" GS Series Brush Cutter - 30-45 GPM

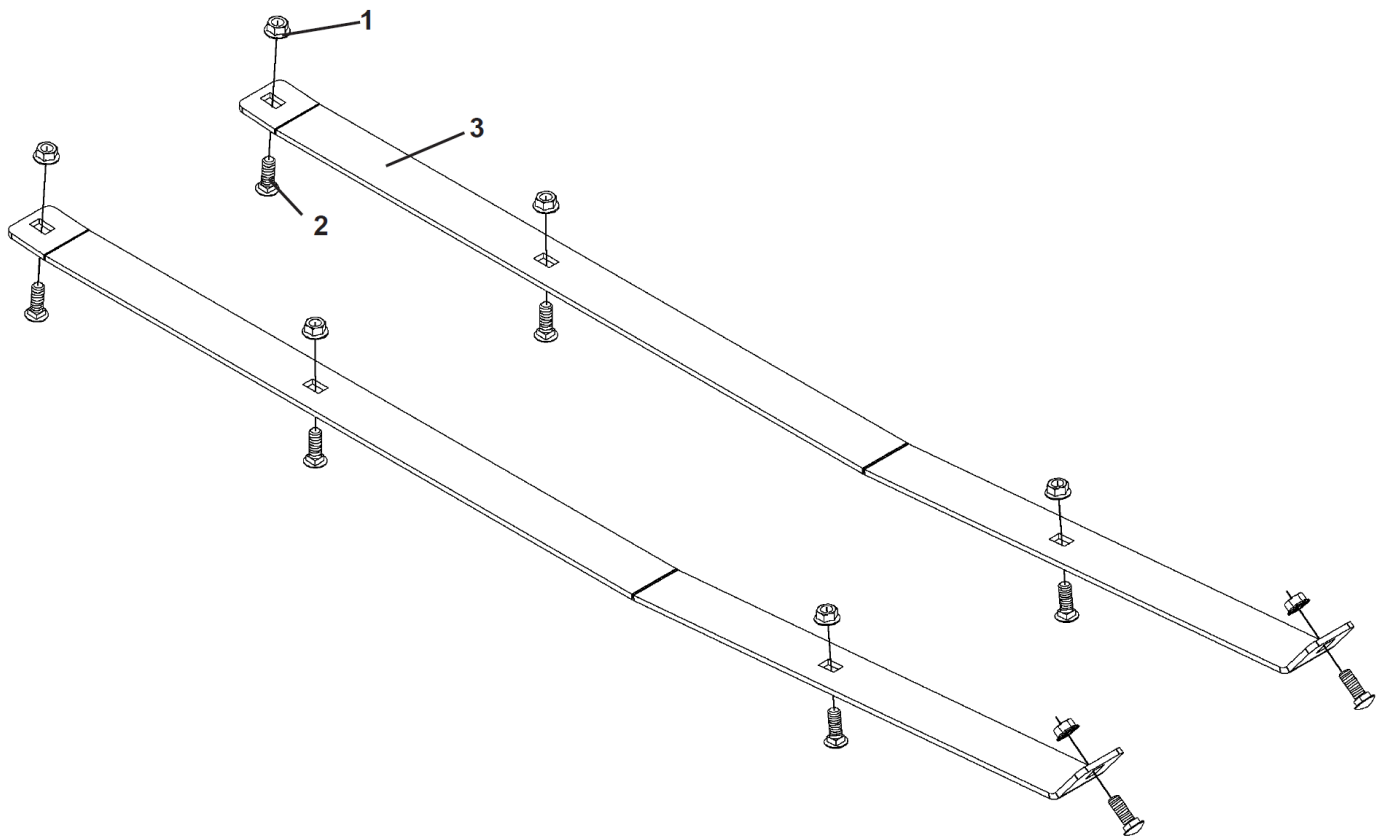


Item	Qty	Part No.	Name	Additional Info
1	1	38360	Hose .25" X 13.50" 6FJX-6FJX 90°	
2	1	3314	Tee 6MJ-6MJ-6MJ	
3	1	38512	Hose .25" X 7" 6FJX-6FJX 90°	
4	1	38871	Hose .25" X 22" 6FJX-4FP	Serial Number 533904 & UP. (See Comments for Serial Number 533903 & DOWN)
5	2	30512	Straight Fitting 4BSPP - 6MJ	
6	1	123348	Hydraulic Motor 12.26 CID	
6.1	1	46437	Replacement Relief Cartridge @ 1500 PSI (Outlet Port)	
6.2	1	46438	Replacement Relief Cartridge @ 3800 PSI (Inlet Port)	
6.3	2	46439	Cartridge Valve Seal Kit	
6.4	1	46407	Motor Shaft Seal Kit	
7	1	123344	Gauge Retainer Plate	
8	6	10292	10-24 U-Style Clip Nut	
9	1	123346	Rubber Isolator	
10	1	117880	Pressure Gauge	
11	6	10030	10-24 X 1.00" Round Head Machine Screw	(Install with Loctite RED #271)
12	1	41258	Gauge Overlay Decal	
13	1	123347	Gauge Mounting Bracket	
14	2	10308	.50" UNC X 1.50" Flange Head Capscrew - GR8	
15	2	10311	.50" Nord-Lock Washer SP	
16	6	2002078	10-24 Center Lock Nut	
17	1	30516	90° Elbow 6MJ-4MBSPP	Serial Number 533904 & UP. (See Comments for Serial Number 533903 & DOWN)

Comments for Page: 78" Hydraulics - 30-45 GPM

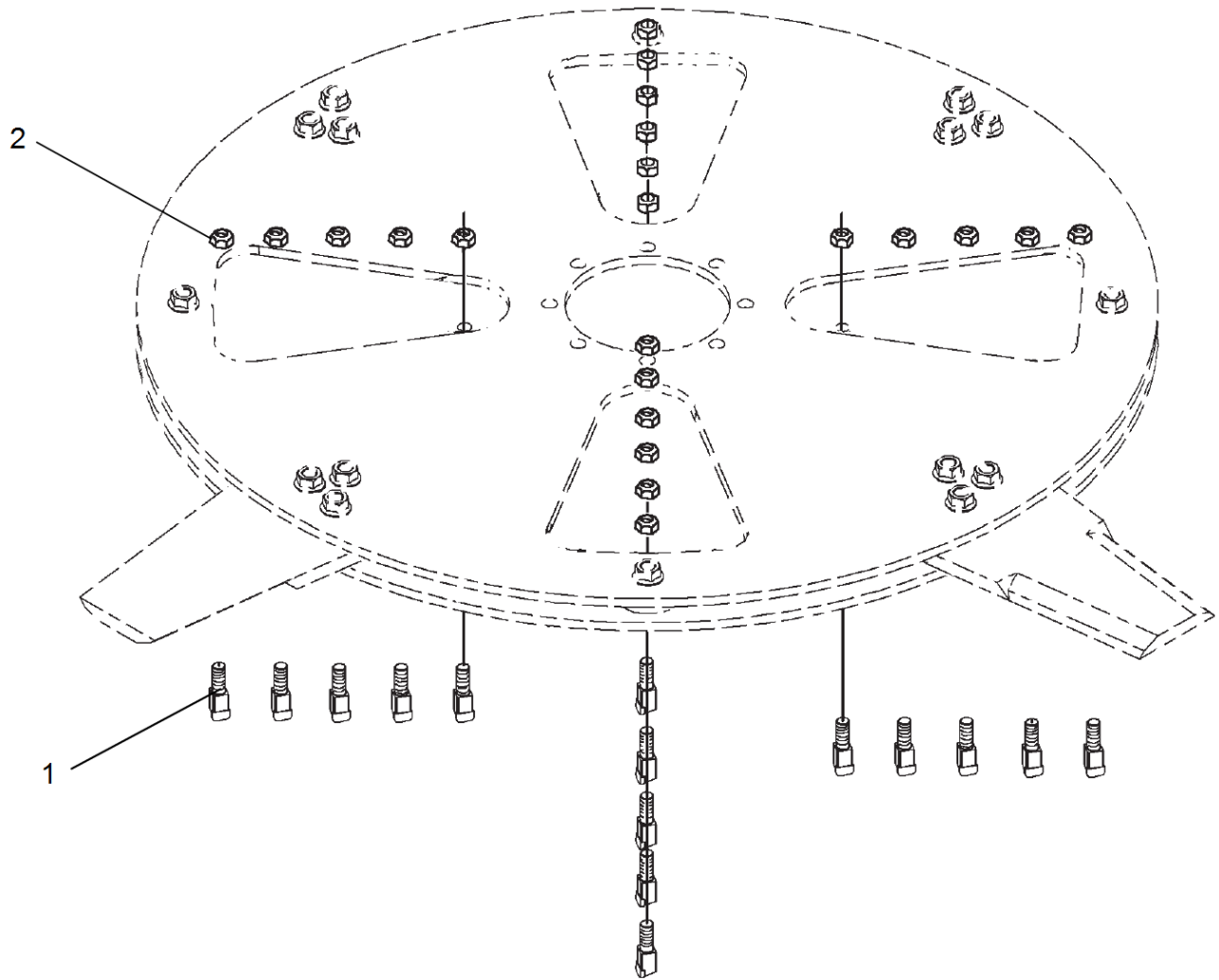
To update units with Serial Number 533903 & DOWN you must order Items #4 and #17.

78" GS Series Brush Cutter - 30-45 GPM



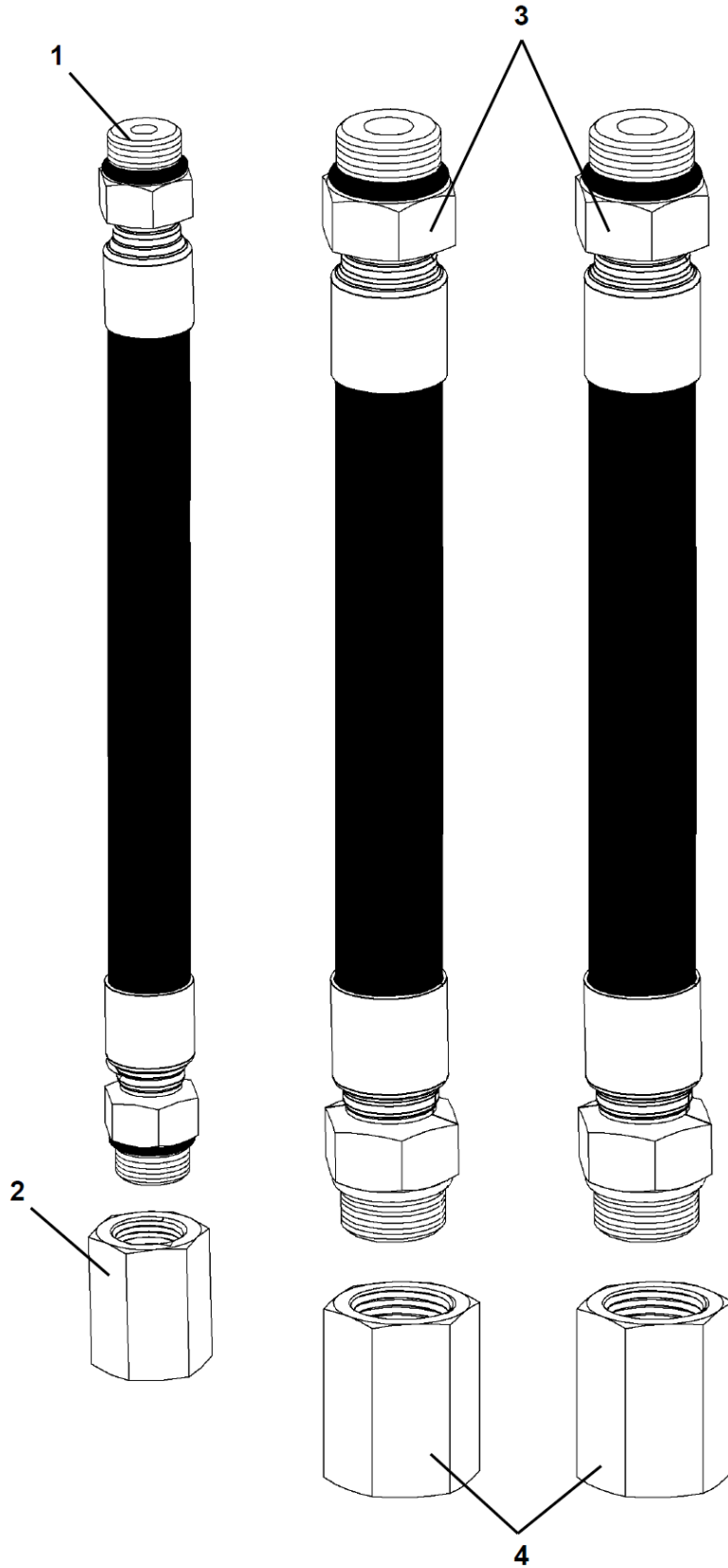
Item	Qty	Part No.	Name	Additional Info
1	8	1790	.50" UNC Serrated Flange Lock Nut	
2	8	1872	.50" UNC X 1.50" Carriage Bolt	
3	2	123640	Skid Shoe Wear Plate	

78" GS Series Brush Cutter - 30-45 GPM



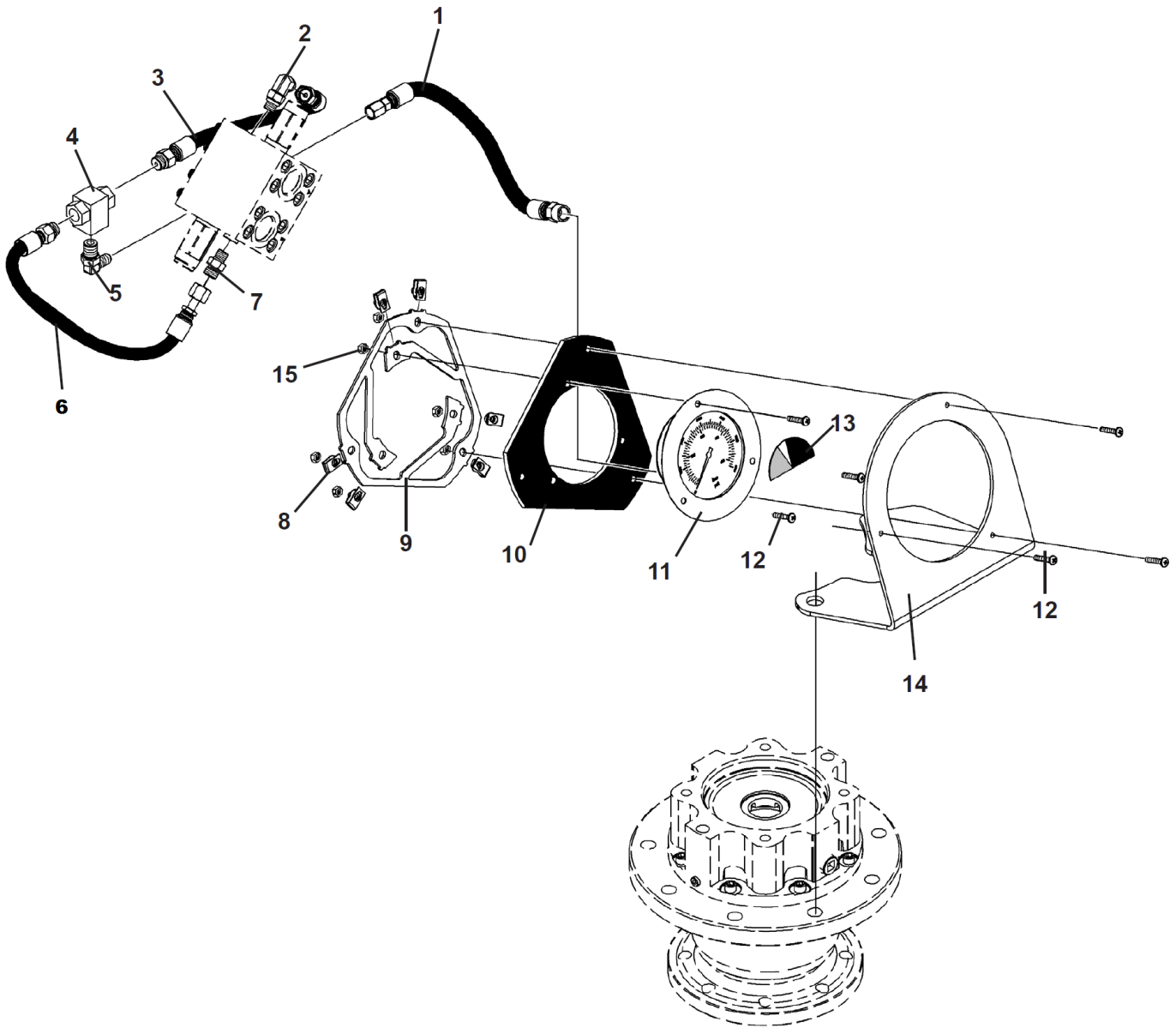
Item	Qty	Part No.	Name	Additional Info
1	22	19917	Threaded Carbide Tooth	
2	22	10003	.62" UNF Deformed Lock Nut	

Options and Kits



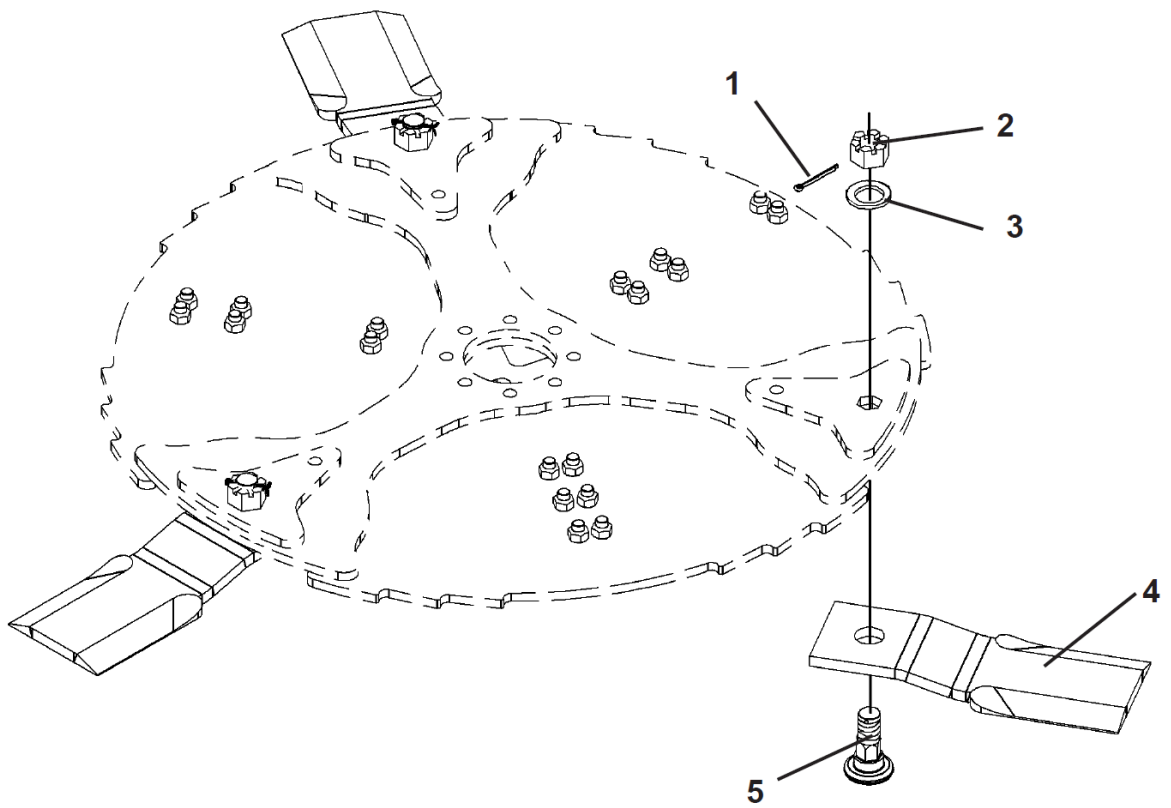
Item	Qty	Part No.	Name	Additional Info
1	1	38795	Hose .38" X 26" 8MBo-8MBo	
2	1	30473	Straight Adapter 8FBo-8FBo	
3	2	38793	Hose .75" X 24" 12MBo-12MBo	
4	2	30487	Straight Adapter 12FBo-12FBo	

Options and Kits



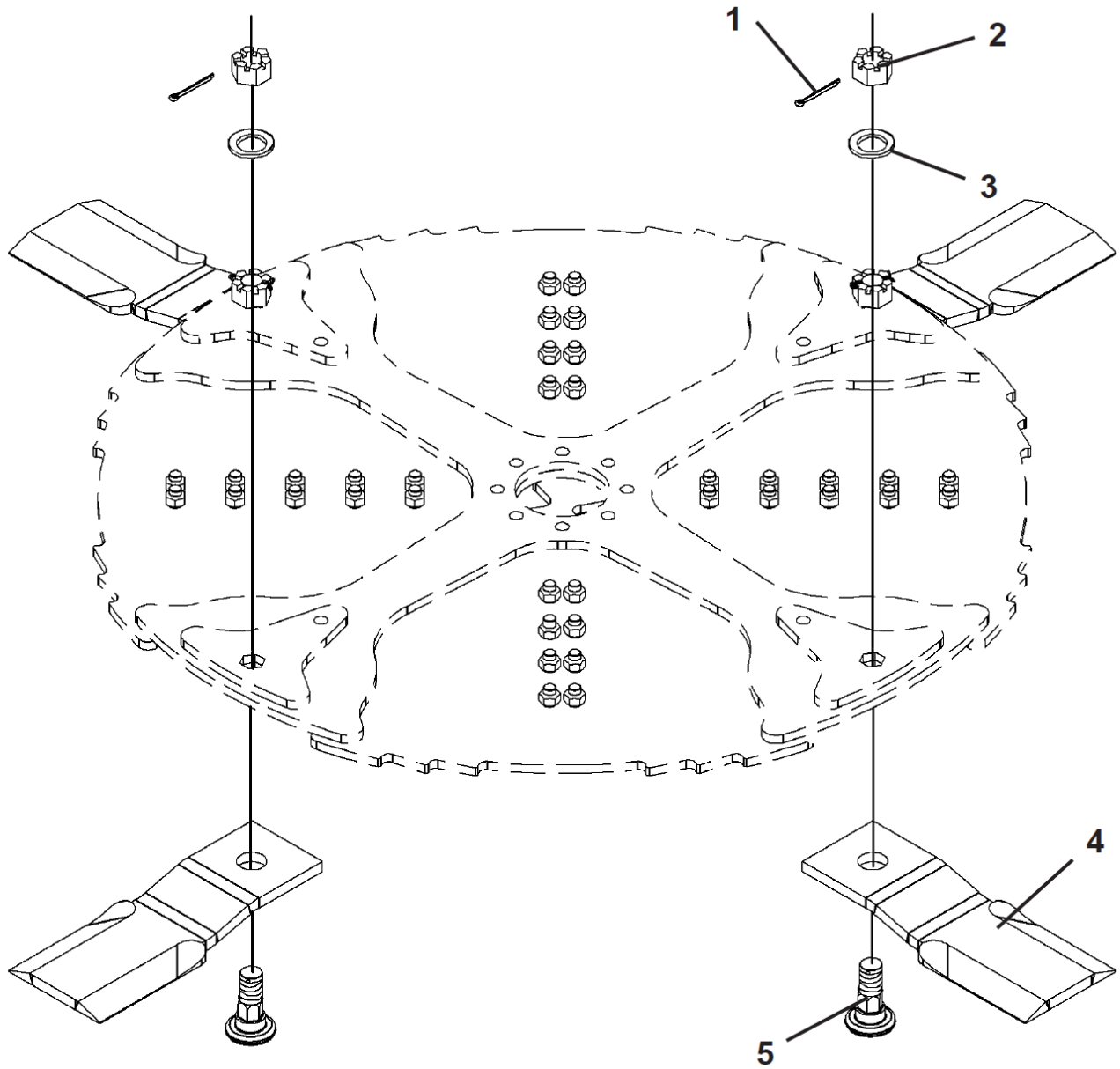
Item	Qty	Part No.	Name	Additional Info
1	1	38866	Hose .25" X 12" 4FP-4FJX	
2	1	30441	90° Elbow 4MBo-4MORFS	
3	1	38789	Hose .25" X 16" 6MBo-4FF	
4	1	22547	Shuttle Valve	
5	1	22576	90° Elbow 6MBo-4MJ	
6	1	38789	Hose .25" X 16" 6MBo-4FF	
7	1	30481	Straight Adapter 4MBo-4MORFS	
8	6	10292	10-24 U-Style Clip Nut	
9	1	123344	Gauge Retainer Plate	
10	1	123346	Rubber Isolator	
11	1	117880	Pressure Gauge	
12	6	10030	10-24 X 1.00" Round Head Machine Screw	
13	1	41258	Gauge Overlay Decal	
14	1	123584	Gauge Mounting Bracket	
15	6	2002078	10-24 Center Lock Nut	(Install with Loctite RED #271)

Options and Kits

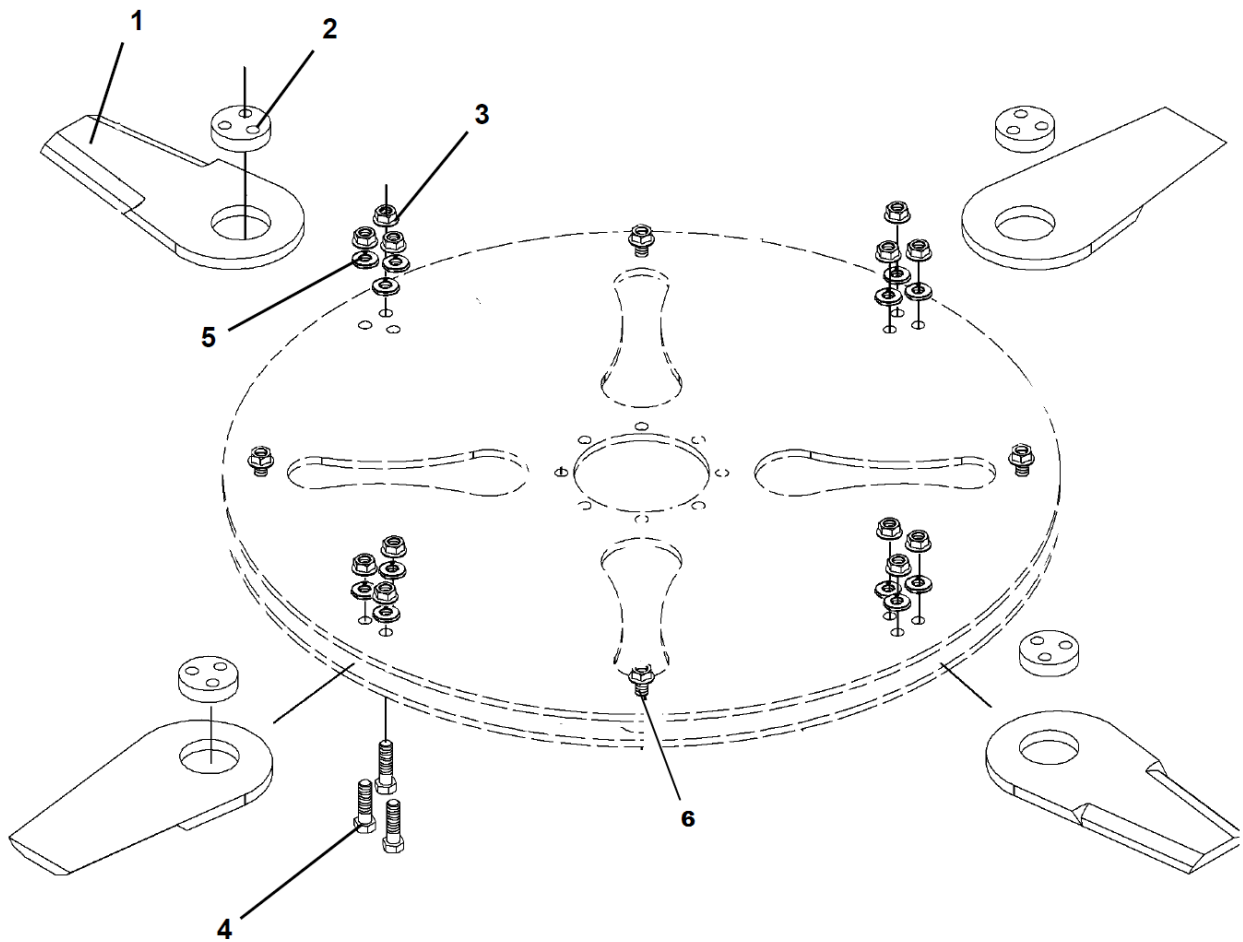


Item	Qty	Part No.	Name	Additional Info
1	3	1861	Role Pin .25" X 2"	
2	3	17390	Special Nut	
3	3	10295	1.12" Hard Flat Washer	
4	3	123414	Blade 14"	
5	3	10294	1.12" UNF X 1.50" Hex Blade Bolt	

Options and Kits



Item	Qty	Part No.	Name	Additional Info
1	4	1861	Role Pin .25" X 2"	
2	4	17390	Special Nut	
3	4	10295	1.12" Hard Flat Washer	
4	4	123414	Blade 14"	
5	4	10294	1.12" UNF X 1.50" Hex Blade Bolt	

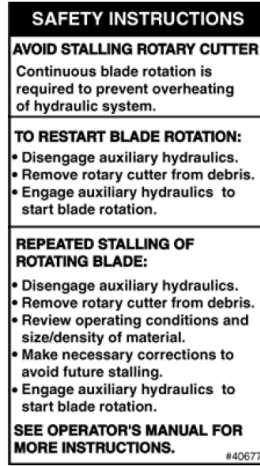


Item	Qty	Part No.	Name	Additional Info
1	4	116620	Double Edge Blade .75" - 72" Cutter	Alternate blade orientation. When one side is worn, flip all four blades over.
2	4	116800	Spacer	
3	12	1936	.75" UNC Deformed Lock Nut	
4	12	10060	.75" UNC X 3.00" Hex Capscrew - GR8	
5	12	10191	.75" Nord Lock Washer	
6	-	REF	Blade Carrier Capscrews	(Four blade carrier capscrews must be loosened to replace blades.)

Replacement Decals



1



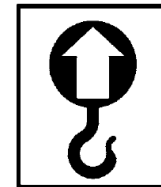
2



3



4



5



7



8



6



9



10

EXTREME DUTY BRUSH CUTTER

11



13



12



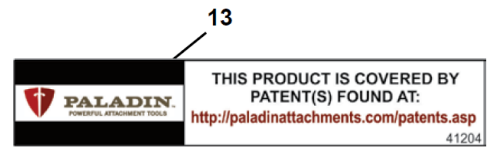
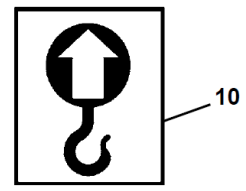
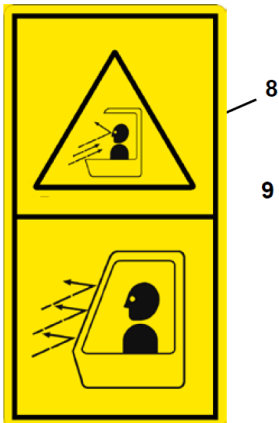
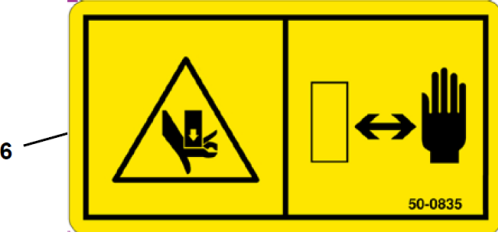
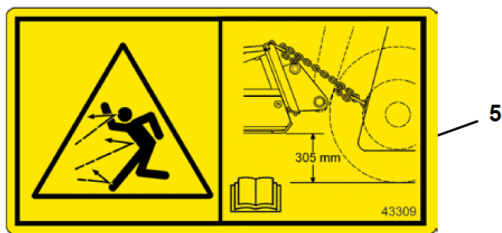
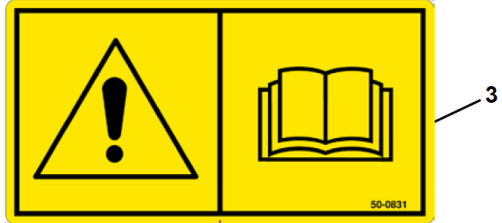
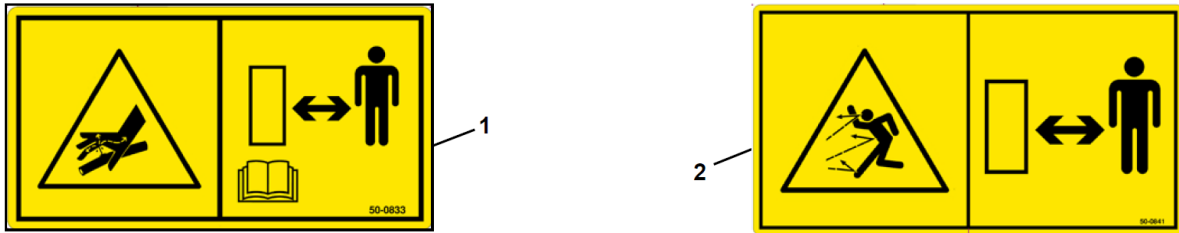
14

Item	Qty	Part No.	Name	Additional Info
1	-	40673	Danger! Rotating Blade	
2	-	40677	Safety Instructions	
3	-	40678	Warning! Before Leaving Operator's Seat	
4	-	40151	Warning! High Pressure Fluid	
5	-	50-0769	Lift Point	
6	-	40307	Danger! Guard Missing	
7	-	41207	Warning! Moving Parts	
8	-	50-0737	Warning! Pinch Point Hazard	
9	-	41211	Ground Shark	
10	-	40679	Warning! Lift Limiting Chain	
11	-	41220	Extreme Duty Brush Cutter	
12	-	4105	Danger! Stand Clear	
13	-	41204	Patent Website Decal	
14	-	VARIES	Contact your local dealer to purchase model number and logo decals.	

Comments for Page: Verbiage Decals

IMPORTANT: See Operator's manual for decal placement and definition.

Replacement Decals



Item	Qty	Part No.	Name	Additional Info
1	-	50-0833	Warning! High Pressure Fluid Hazard	
2	-	50-0841	Flying Debris - Stand Back	
3	-	50-0831	Read Manual	
4	-	43310	Rotating Blade Hazard - Stand Back	
5	-	43309	Flying Debris Hazard - Lift Limiting Chain Required	
6	-	50-0835	Pinch Point Hazard - Hand	
7	-	41013	Remove Key Before Performing Maintenance	
8	-	43302	Flying Debris Hazard - Shatterproof Cab Door Required	
9	-	43305	Entanglement Hazard - Guards	
10	-	50-0769	Lift Point	
11	-	43307	Mandatory Action - Read Manual - Specific Instructions	
12	-	41211	Ground Shark	
13	-	41204	Patent Website Decal	
14	-	41220	Extreme Duty Brush Cutter	
15	-	VARIES	Contact your local dealer to purchase model number and logo decals.	

Comments for Page: Non-Verbiage Decals

IMPORTANT: See Operator's manual for decal placement and definition.

Comments for Chapter: Replacement Decals

IMPORTANT: See Operator's manual for decal placement and definition.