



**PALADIN™**  
LIGHT CONSTRUCTION GROUP

 **BRADCO**

 **FFC**

 **HARLEY**

 **MCMILLEN**

 **SWEEPSTER**

*The Power of Combined Excellence*

# MOUNTING INSTRUCTIONS

FOR



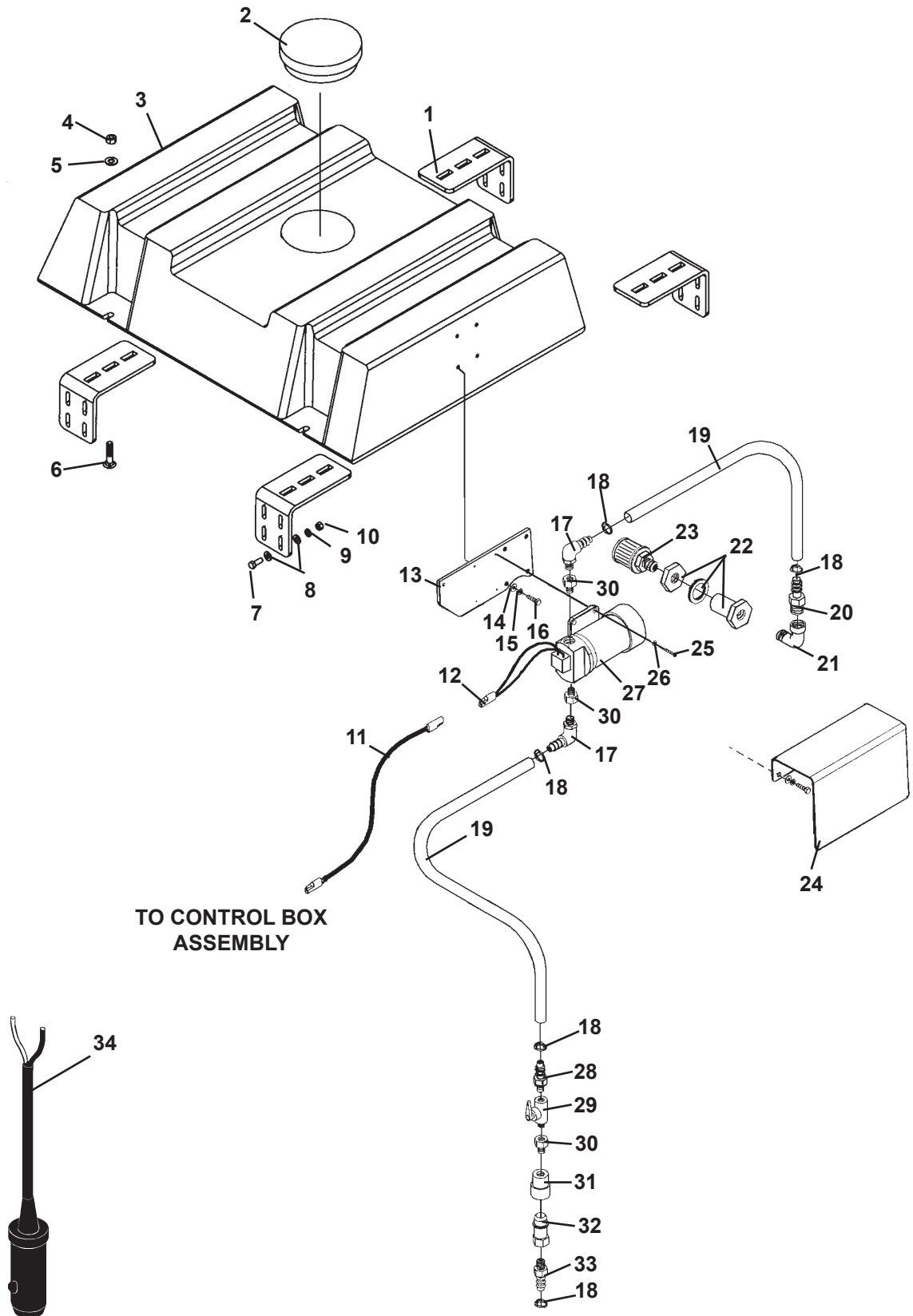
# BRADCO

**CAB MOUNTED WATER KIT  
#114114, #105720 & #104444  
ON  
SKID-STEER LOADERS**

**INSTRUCTIONS NUMBER: 76271**

# WATER TANK ASSEMBLY

CAB MOUNTED WATER KIT #105720 & #114114



TO CONTROL BOX ASSEMBLY

TO ATTACHMENT WATER LINE KIT

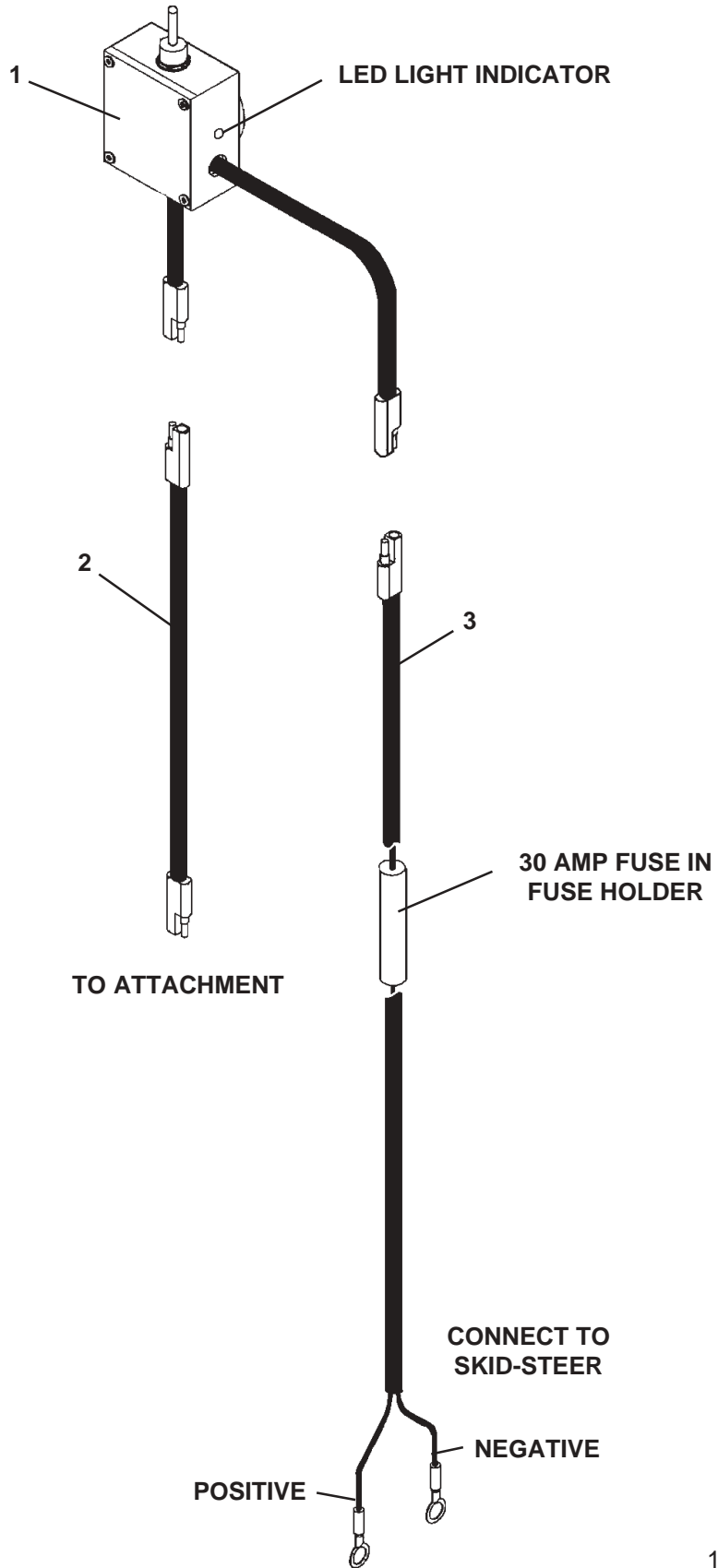
# WATER TANK ASSEMBLY

CAB MOUNTED WATER KIT #105720 & #114114

<u>ITEM</u>	<u>REQ'D</u>	<u>PART NO.</u>	<u>DESCRIPTION</u>
1	4	104665	Tank Mounting Bracket
2	1	105722	Tank Cap
3	1	103862	30 Gallon Water Tank
4	4	1841	.50" UNC Deformed Lock Nut
5	4	1516	.50" Flat Washer
6	4	1872	.50" UNC X 1.50" Carriage Bolt
7	8	1047	.38" UNC X 2.00" Hex Capscrew
8	16	1514	.38" Hard Flat Washer
9	8	1503	.38" Lock Washer
10	8	1226	.38" UNC Hex Nut
11	1	17713	Extension Cable
12	1	89943	2-Way Plug (On end of Pump Wires)
13	1	103836	Pump Mounting Plate
14	5	1512	.25" Flat Washer
15	5	1501	.25" Lock Washer
16	1	1001	.25" UNC X .50" Hex Capscrew
	4	1002	.25" UNC X .75" Hex Capscrew
17	2	30367	90° Hose Barb
18	7	30227	Hose Clamp
19	12'	36297	PVC Hose (Cut as needed)
20	1	30217	Hose Barb (.50 NPT)
21	1	30218	90° Elbow
22	1	30219	Bulkhead Tank Seal
23	1	30220	Strainer
24	1	103462	Pump Cover
25	4	10030	#10-24 UNC X 1.00" Slotted Pan Head Machine Screw
26	4	10031	#10 Flat Washer
27	1	32259	Pump - 12 Volt
28	1	30216	Hose Barb (.25" NPT)
29	1	30231	Ball Valve
30	3	30389	Reducer
31	1	30215	Female Coupler
32	1	30214	Male Coupler
33	1	30213	Hose Barb (.38" NPT)
34	1	07-10026	Auxiliary Outlet Adapter (Assembly #114114 ONLY)

# ELECTRICAL CONTROL BOX

ASSEMBLY #15757



# ELECTRICAL CONTROL BOX

ASSEMBLY #15757

<u>NO</u>	<u>REQ'D</u>	<u>PART NO.</u>	<u>DESCRIPTION</u>
1	1	17710	Control Box Assembly (Includes one single pole, single throw, normally open, maintained closed, toggle switch and LED to light when closed.)
2	1	17712	Wire Assembly (To Attachment)
3	1	17173	Wire Assembly (To Skid-Steer Power Supply)

## **DANGER!** ELECTROCUTION HAZARD



Provide electrical power to the control box by following your skid-steer manufacturer's recommended procedures.

The electrical circuit must be fused to prevent machine damage and serious personal injury or death.

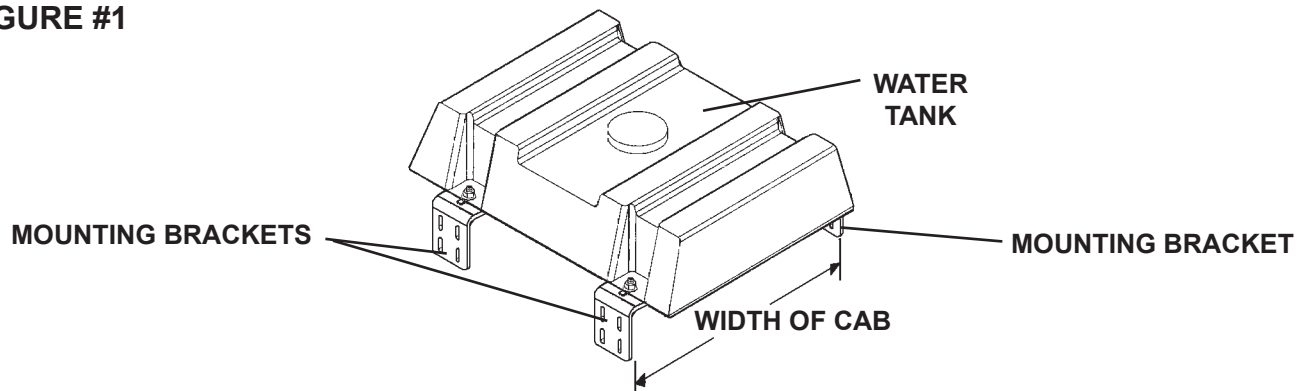
# MOUNTING INSTALLATION AND OPERATION

## MOUNTING INSTALLATION

The following instructions will assist in the installation of the cab mounted water tank assembly.

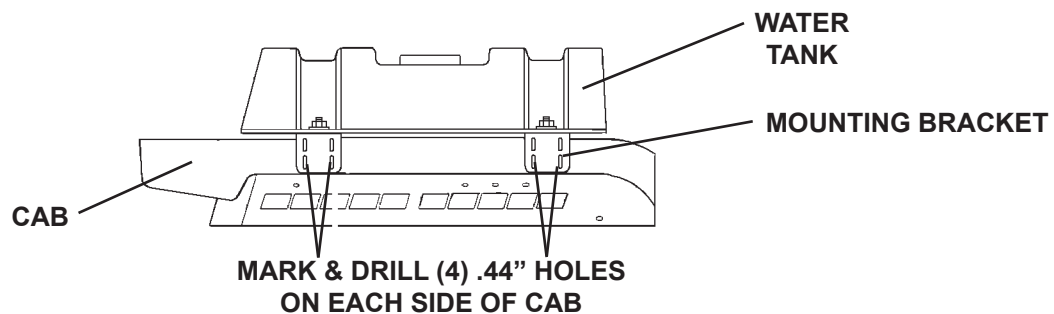
1. Measure the width of the cab (at the top) to determine which set of mounting holes to use when bolting the water tank to the mounting brackets. Loosely bolt the water tank to the tank mounting brackets while trying to maintain the required distance between the mounts. See Figure #1

**FIGURE #1**



2. Set the tank with mounting brackets onto the top of the skid steer loader cab.
3. After a centered location has been achieved, use the mounting brackets as a template and mark and drill eight .44" holes. (Four on each side of cab using the top or bottom mounting holes.) See Figure #2

**FIGURE #2**



4. Secure the water tank to the cab using the .38" UNC X 2.00" capscrews and hard flat washers on both sides of the cab and the .38" lock washers and hex nuts on the inside.
5. Install the male coupler #30214 along with the hose barb #30213 to the water line on the attachment using the hose clamp #30227 provided.
6. The pump, fittings and hoses are installed onto the water tank at the factory. Check all fittings and hose clamps for tightness and correct installation. Refer to the water tank assembly parts pages.

## MOUNTING INSTALLATION AND OPERATION

7. Route the water hose down the loader arm and secure to the loader arm with the hose ties supplied.

**NOTE: Route the electrical extension cable along with the water hose if connecting to an attachment that is equipped for a BRADCO multi-function control handle AND has a spare plug located near the deutsch connector (such as the BRADCO cold planer). Connect extension cable to the spare plug.**

8. When utilizing the control box assembly supplied with your water kit, route the electrical extension cable down the side of the cab and up to the front of the cab. Connect the extension cable to the control box assembly supplied with the water tank kit.
9. If installing Kit #114114 with the auxiliary outlet adapter, position the control box in a location accessible by the operator and check how much of the electrical wire harness is needed to reach the auxiliary outlet adapter when installed in the auxiliary power outlet (cigarette lighter) but do NOT install the adapter. Once the length of the wire harness is determined, cut the wire and “hard wire” the red and black wire of the auxiliary outlet adapter to the matching wires on the electrical wire harness. Install the shrink wrap over the wire connection. After the shrink wrap is installed it is OK to plug the auxiliary outlet adapter into the auxiliary power outlet.
10. If not using the auxiliary outlet adapter, position the control box in a location accessible by the operator and connect the electrical wire harness to the battery of your unit.

**NOTE: The control box contains an LED light that is on when there is power to the pump. Do not shut off the skid steer with the switch in the “ON” position, this will continue to drain power from the battery.**

**WARNING!** When working around batteries, remember that all of the exposed metal parts are “live”. Never lay a metal object across the terminals, because a spark or short circuit may result.



**DANGER!** BATTERY ACID CAUSES SEVERE BURNS. Batteries contain sulfuric acid. Avoid contact with skin, eyes or clothing. Antidote: EXTERNAL - flush with water. INTERNAL - drink large quantities of water or milk. Follow with milk of magnesia, beaten egg or vegetable oil. Call physician immediately. EYES - flush with water for 15 minutes and get prompt medical attention.



11. Install the separate nozzle kit onto the attachment. (Not included in this assembly)
12. Connect the attachment and water kit couplers together to complete the circuit. Your water tank assembly installation is now complete.

Operate the switch on the control box (or on the multi-function control handle) to activate the pump and supply water to the attachment.